



NUMBER: 23-003-15

GROUP: Body

DATE: January 28, 2015

This bulletin is supplied as technical information only and is not an authorization for repair. No part of this publication may be reproduced, stored in a retrieval system, or transmitted, in any form or by any means, electronic, mechanical, photocopying, or otherwise, without written permission of FCA US LLC.

THIS SERVICE BULLETIN IS ALSO BEING RELEASED AS RAPID RESPONSE TRANSMITTAL (RRT) 15-016. ALL APPLICABLE SOLD AND UN-SOLD RRT VIN'S HAVE BEEN LOADED. TO VERIFY THAT THIS RRT SERVICE ACTION IS APPLICABLE TO THE VEHICLE, USE VIP OR PERFORM A VIN SEARCH IN TECHCONNECT. ALL REPAIRS ARE REIMBURSABLE WITHIN THE PROVISIONS OF WARRANTY.

SUBJECT:

Steering Column Buzz Squeak Rattle Noise And/Or Minor Movement

OVERVIEW:

This bulletin involves inspecting, and if necessary, replacing the two brake pedal bracket bolts.

MODELS:

2015 (DS) Ram 1500 Pickup

NOTE: This bulletin applies to vehicles built on or after November 20, 2014 (MDH 1120XX) and on or before November 23, 2014 (MDH 1123XX).

SYMPTOM/CONDITION:

The customer may describe a buzz squeak rattle noise and/or minor movement of the steering column.

DIAGNOSIS:

If a customer's VIN is listed in VIP or your RRT VIN list, perform the repair. For all other customers that describe the symptom/condition, perform the Repair Procedure.

PARTS REQUIRED:

Qty.	Part No.	Description
2 (AR)	06507599AA	BOLT, Hex Head, M6x1.00x43.00

REPAIR PROCEDURE:

1. Use an inspection mirror to locate the two bolts (1) securing the brake pedal bracket to the instrument panel (Fig. 1) and (Fig. 2).

NOTE: The screws will only be visible in a mirror while looking in a reverse direction under instrument panel sighting along the steering column shaft in the direction of the steering wheel. The screws (1) are located above the steering column support bracket, as shown in (Fig. 1).

2. Reach under the instrument panel above the steering column support bracket and by touch, locate the bolt heads (1) (Fig. 1) and (Fig. 2).
3. Feel the washers (1) for looseness, capable of being rotated with a finger (Fig. 1) and (Fig. 2).

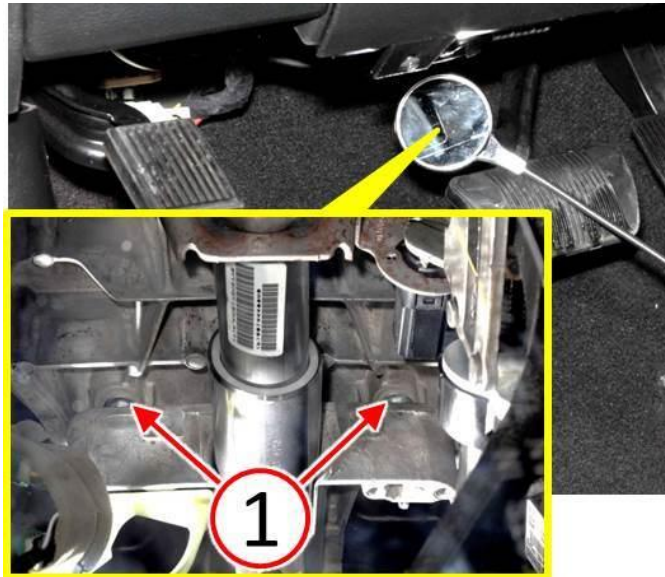


Fig. 1 Inspection Process

1 - M6 Hex Head Bolts With Washers (Brake Pedal Bracket Mounting)

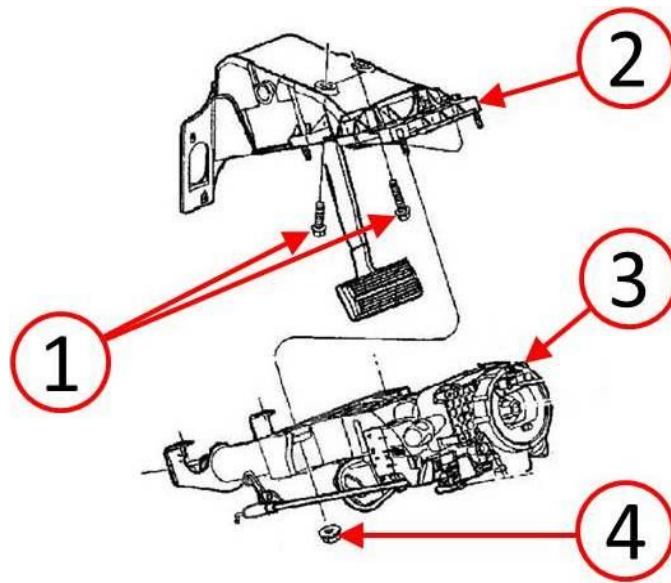


Fig. 2 Fastener Locations

- 1 - M6 Hex Head Bolts With Washers (Brake Pedal Bracket Mounting)
- 2 - Brake Pedal Bracket
- 3 - Steering Column
- 4 - M8 Hex Nut With Washer (Steering Column Mounting)

-
- 4. Do the washers feel loose and/or can the washers be rotated by hand?
 - a. YES>>> The washers can be moved or rotated. Continue with the Repair Procedure [Step #5](#).
 - b. NO>>> The washers do not move and appear to be clamped tight by the bolt. This bulletin has been completed, use LOP (05-50-02-91) to close the active RRT.
 - 5. Position the front wheels straight ahead.

WARNING:To avoid serious or fatal injury on vehicles equipped with airbags, disable the Supplemental Restraint System (SRS) before attempting any steering wheel, steering column, airbag, seat belt tensioner, impact sensor or instrument panel component diagnosis or service. Disconnect and isolate the battery negative (ground) cable, then wait two minutes for the system capacitor to discharge before performing further diagnosis or service. This is the only sure way to disable the SRS. Failure to take the proper precautions could result in accidental airbag deployment.

- 6. Disconnect the negative battery cable from the battery. The airbag system must be disarmed before proceeding with this repair procedure.

7. Remove the steering column cover (Fig. 3). Refer to the detailed service procedures available in DealerCONNECT> TechCONNECT under: Service Info> 23 - Body> Instrument Panel> COVER, Steering Column Opening> Removal.

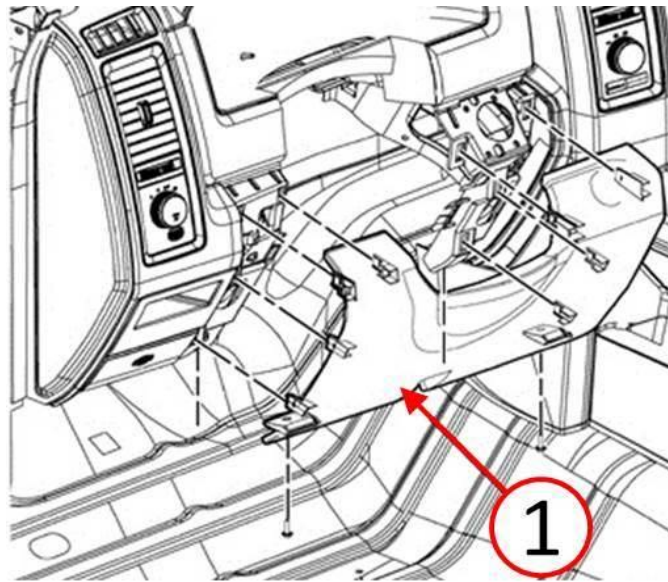


Fig. 3 Steering Column Cover Removal

1 - Steering Column Cover

-
8. Remove the brake pedal position sensor (1) as specified in the following steps (Fig. 4).
 - a. Disconnect the wire harness electrical connector from the brake pedal position sensor.
 - b. Depress both tabs on the brake pedal position sensor to disengage the sensor from the steering column support bracket.
 - c. Rotate the brake pedal position sensor 1/4 turn counter-clockwise.
 - d. Pull the brake pedal position sensor straight rearward away from the steering column support bracket to remove the sensor from the bracket.
 9. Support the steering column, then remove the steering column mounting nuts (2) (Fig. 4).

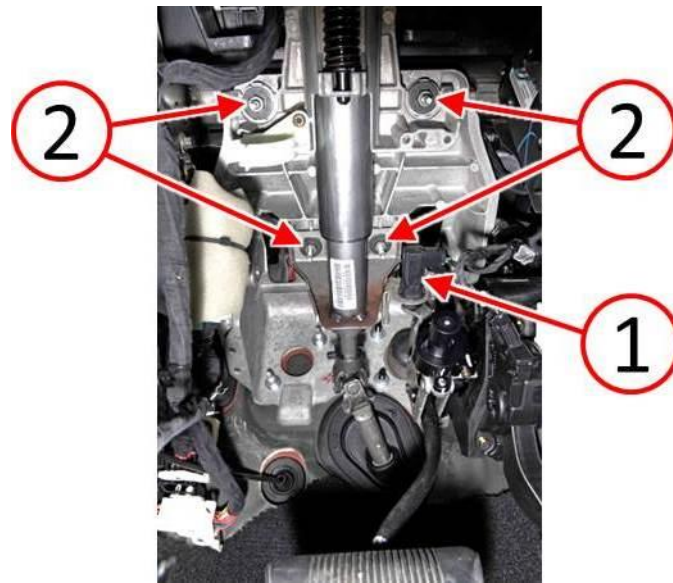


Fig. 4 Brake Pedal Sensor And Steering Column Fasteners

- 1 - Brake Pedal Position Sensor
- 2 - M8 Hex Nuts With Washer (Steering Column Mounting)

10. Place a protective cover (1) on the driver's seat before lowering the steering column (Fig. 5).

CAUTION: Depress the brake pedal while lowering the steering column to prevent bending the brake pedal position sensor mounting tab.

- 11. Lower the steering column (2) resting the steering wheel on the driver's seat (Fig. 5).
- 12. Locate the brake pedal bracket mounting bolts (3) below the instrument cluster (Fig. 5).



Fig. 5 Protect Seat And Lower Steering Column

- 1 - Protective Cover
- 2 - Steering Column
- 3 - Brake Pedal Bracket Mounting Bolts Location

13. Remove the brake pedal bracket mounting bolts (1) (Fig. 6).
14. Hand start the NEW brake pedal bracket mounting bolts (1) (Fig. 6).
15. Tighten the brake pedal bracket mounting bolts (1) to 14 N-m (10 ft. lbs.) (Fig. 6).

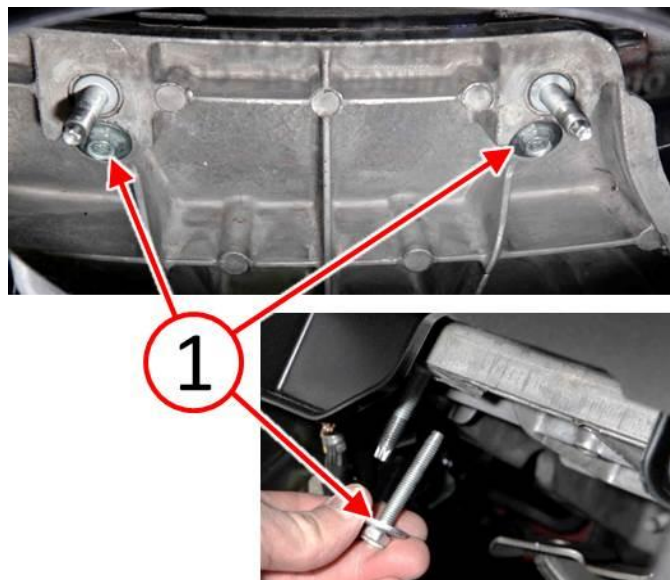


Fig. 6 Brake Pedal Bracket Mounting Bolts

- 1 - M6 Hex Head Bolts With Washers (Brake Pedal Bracket Mounting)

CAUTION: Depress the brake pedal while raising the steering column to prevent bending the brake pedal position sensor mounting tab.

16. Raise the steering column into normal position and hand install the mounting nuts (2) (Fig. 7).

CAUTION: All fasteners must be torqued to specification to ensure proper operation of the steering column.

17. Center steering column in the dash opening and tighten the mounting nuts (2) to 27 N·m (20 ft. lbs.) (Fig. 7).

NOTE: Be certain the brake pedal position sensor is fully seated in the sensor bracket before completing the electrical connection.

18. Install the brake pedal position sensor (1) as specified in the following steps (Fig. 7).
 - a. Depress and hold the brake pedal.
 - b. Insert the brake pedal position sensor into the steering column support bracket.
 - c. Depress both tabs on the brake pedal position sensor and rotate the sensor 1/4 turn clockwise.
 - d. Release both tabs on the brake pedal position sensor to lock the sensor to the steering column support bracket.
 - e. Release the brake pedal.
 - f. Connect the wire harness electrical connector to the brake pedal position sensor.

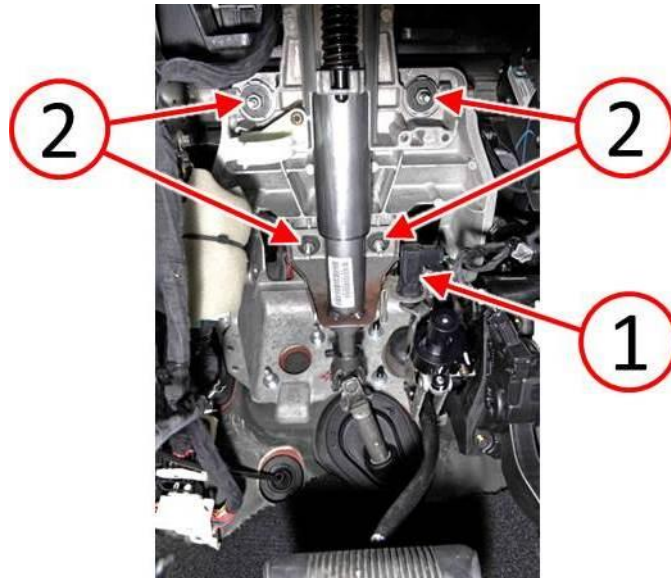


Fig. 7 Steering Column Fasteners And Brake Pedal Sensor

- 1 - Brake Pedal Position Sensor
 - 2 - M8 Hex Nuts With Washer (Steering Column Mounting)
-

19. Install the steering column cover (Fig. 8). Refer to the detailed service procedures available in DealerCONNECT> TechCONNECT under: Service Info> 23 - Body> Instrument Panel> COVER, Steering Column Opening> Installation.

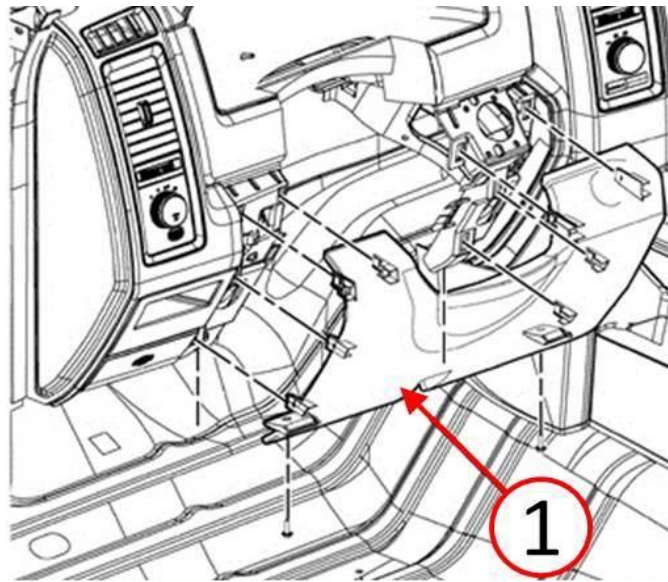


Fig. 8 Steering Column Cover Installation

1 - Steering Column Cover

-
20. Connect the negative battery cable to the battery.

NOTE: Whenever the brake pedal position sensor is removed and reinstalled or replaced with a new unit, it is necessary for the Controller Antilock Brake (CAB) (also known as the Antilock Brake Module/ABM or Antilock Brake System/ABS module) to calibrate the reinstalled or the new sensor. Follow the programming steps outlined in the diagnostic scan tool for the “ABS Initialize” routine under “Miscellaneous Functions” for the “ABS Module” menu item as appropriate.

POLICY:

Reimbursable within the provisions of the warranty.

TIME ALLOWANCE:

Labor Operation No:	Description	Skill Category	Amount
05-50-02-91	Bolts, Brake Pedal Sled Bracket - Inspect (2 - Skilled)	6 - Electrical and Body Systems	0.2 Hrs.
05-50-02-92	Bolts, Brake Pedal Sled Bracket - Inspect And Replace (2 - Skilled)	6 - Electrical and Body Systems	0.7 Hrs.

FAILURE CODE:

ZZ	Service Action
----	----------------