

**FORD:**

2017 Transit

**ISSUE**

Some 2017 Transit vehicles equipped with an auxiliary junction box and built on or before 17-Oct-2016 may exhibit an inoperative auxiliary relay 8 and/or an inoperative upfit switch 3. This may be due to a missing relay ground circuit.

**ACTION**

Follow the Service Procedure steps to correct the condition.

**SERVICE PROCEDURE**

1. Disconnect the battery ground cable(s). Refer to Workshop Manual, Section 414-01.
2. Release the clips and remove the right side mounted cupholder.
3. Open the glove box and press the stop tabs downward and fully lower the glove compartment door.
4. Release the 2 clips and remove the right side access panel. This allows access to right side instrument panel finish panel screws. (Figure 1)



Figure 1 - Article 17-0006

5. Remove the 5 screws, release the 5 clips and remove the right side instrument panel finish panel.
6. Locate auxiliary fuse panel 2 through the glove box opening and remove it from the bracket by pressing the latch feature.
7. Remove the top and bottom auxiliary fuse panel covers. Remove the fuses and relays.
8. Remove the terminal locking wedge by gently pressing on the catch feature using a small flat head screwdriver.
9. Install the female terminal of the new jumper circuit into the location for auxiliary relay 8 pin 2. (Figure 2)

NOTE: The information contained in Technical Service Bulletins is intended for use by trained, professional technicians with the knowledge, tools, and equipment to do the job properly and safely. It informs these technicians of conditions that may occur on some vehicles, or provides information that could assist in proper vehicle service. The procedures should not be performed by "do-it-yourselfers". Do not assume that a condition described affects your car or truck. Contact a Ford, Lincoln, or Mercury dealership to determine whether the bulletin applies to your vehicle. Warranty Policy and Extended Service Plan documentation determine Warranty and/or Extended Service Plan coverage unless stated otherwise in the TSB article. The information in this Technical Service Bulletin (TSB) was current at the time of printing. Ford Motor Company reserves the right to supersede this information with updates. The most recent information is available through Ford Motor Company's on-line technical resources.

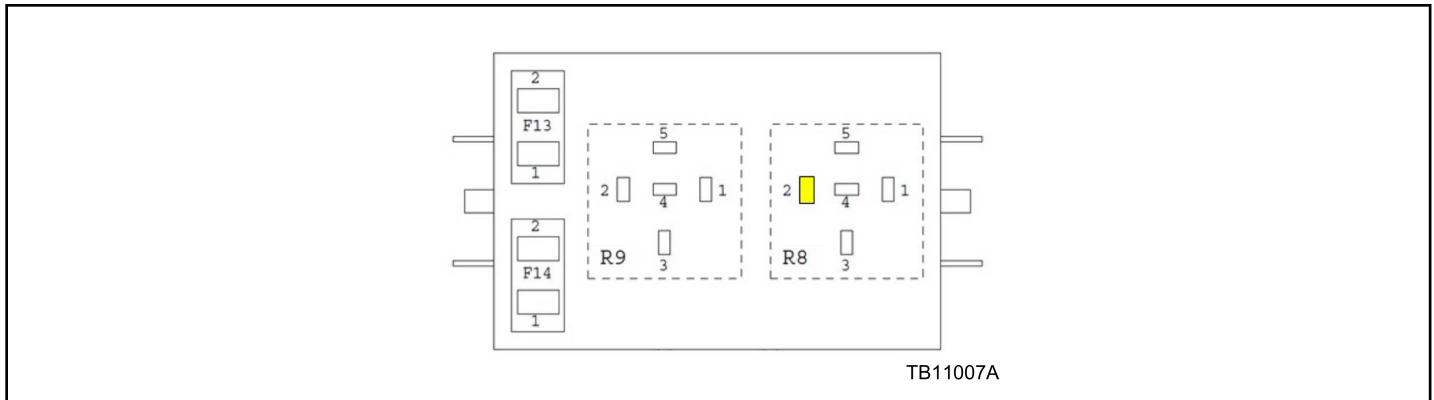


Figure 2 - Article 17-0006

10. Reinstall the locking wedge, both relays, both fuses, top and bottom panel covers.
11. Route the new jumper circuit along the harness to ground G306. Secure the jumper to the harness with cable tie straps.
12. Locate and remove the ground screw for the single eyelet ground G306. Do not remove the screw for the ground with double interlocking eyelets.
13. Attach both the new jumper circuit and original ground G306 eyelets with the ground screw at the original location.
  - a. Tighten screw to 12 Nm (8.8 lb-ft)
14. Secure the fuse box by sliding it onto its bracket.
15. Install the right side instrument panel finish panel.
  - a. Tighten screws to 2 Nm (18 lb-in)
16. Install the right side access panel. (Figure 1)
17. Press the glove box stop tabs and close the glove compartment.
18. Install the right side mounted cupholder.
19. Reconnect the battery ground cable(s). Refer to Workshop Manual, Section 414-01.

PART NUMBER	PART NAME
HK4Z-14A411-CA	Jumper

OPERATION	DESCRIPTION	TIME
170006A	2017 Transit: Install Jumper Wire To Auxiliary Junction Box (Do Not Use With Any Other Labor Operations)	0.7 Hr.

**WARRANTY STATUS:**

Eligible Under Provisions Of New Vehicle Limited Warranty Coverage  
 Warranty/ESP coverage limits/policies/prior approvals are not altered by a TSB. Warranty/ESP coverage limits are determined by the identified causal part and verified using the OASIS part coverage tool.

**DEALER CODING**

BASIC PART NO.	CONDITION CODE
14401	28