



To All Lamborghini Dealers and Licensed Service Point
From Customer Service Department
Subject Cover foils for ECU's and CD changer
Group 148.8.68
Attachments -
Date 25.01.2006
Pages 8

Automobili
Lamborghini
S.p.A.

Subject

Cover foils for ECU's and CD changer

Model / VIN-Range

Murcielago Roadster (L148) until VIN 1528

Information to the field

In case you have one of the involved cars in the workshop, you must apply cover foils on ECU's and on the CD changer in order to prevent water infiltrations.

This modification must be performed on all cars involved at the next service.

Lamborghini recommends carrying out this upgrade aiming to extend the life of these components.

Field solution

Apply cover foils to the ECU's and CD changer

Spare Parts

- 2 x ECU cover foil p.n. 417867385, available at Lamborghini Spare Parts.
- 1 x CD changer cover foil p.n. 417867385A, available at Lamborghini Spare Parts.

Via Modena,12
I-40019 Sant'Agata
Bolognese
Tel +39 051 6817 652
Fax +39 051-6817 709



Warranty Claim data

You may find on Lamborghini Web Portal in the Warranty section “Available campaigns”.

Campaign Code:	L148-A.01.06
Campaign Description:	ECU and CD changer cover foils
Cost Code:	50
Component Code:	A0106
Trouble Code:	220
Labour code:	A0106100
Labour Time:	0,6 hr

Your Area Manager is at your full disposal for further information.

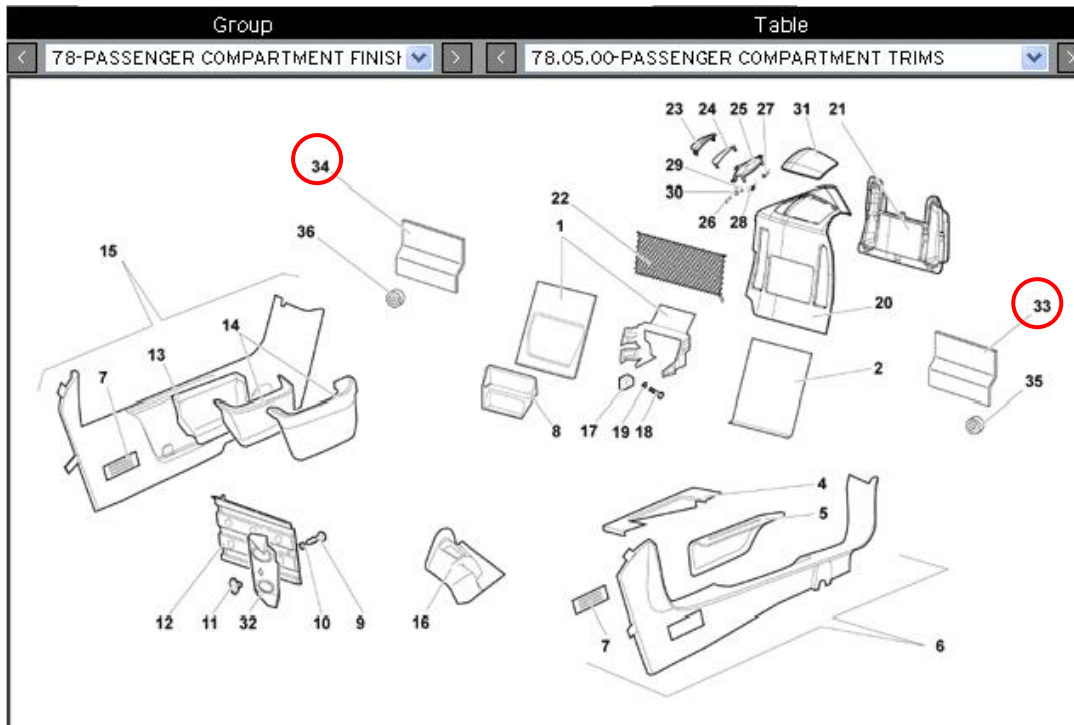
Best regards

Customer Service



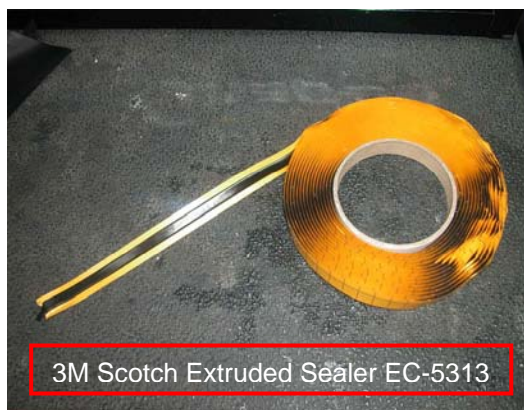
Necessary material

- 2 x ECU cover foil p.n. 417867385
- 1 x CD changer cover foil p.n. 417867385A
- 3M Scotch Extruded Sealer EC-5313, 2mm thickness, 7mm width, (please contact the local 3M dealer - www.3m.com - for more information)



p.n. 417867385 (2x)

p.n. 417867385A





Description of operations

1.1 Adopt all precautions to prevent car damages and to work safe.

Left side

1.2 Remove the ECU's covering behind the left seat.



Pic.1

1.3 Apply the sealer on three edges of one cover foil p.n. 417867385, similar to shown in the picture below.



Pic.2



1.4 Fix the cover foil on the ECU's similar to shown in the picture below, fitting the lower side of the foil under the floor panel.



1.5 Reassemble the ECU's covering in its original position.

Pic.3

Right side

1.6 Repeat the operations 1.2 thru 1.4 on the right side. (see pictures below).



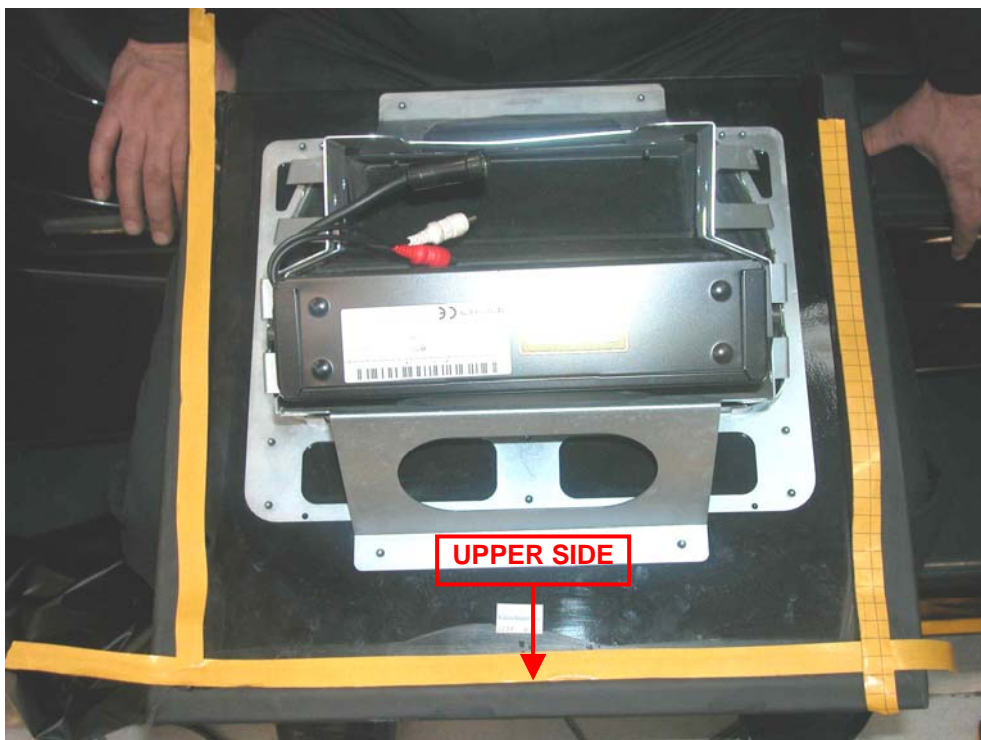
Pic.4



Pic.5

CD changer

1.7 Apply the sealer on the three edges of the CD changer covering similar to shown in the picture below.



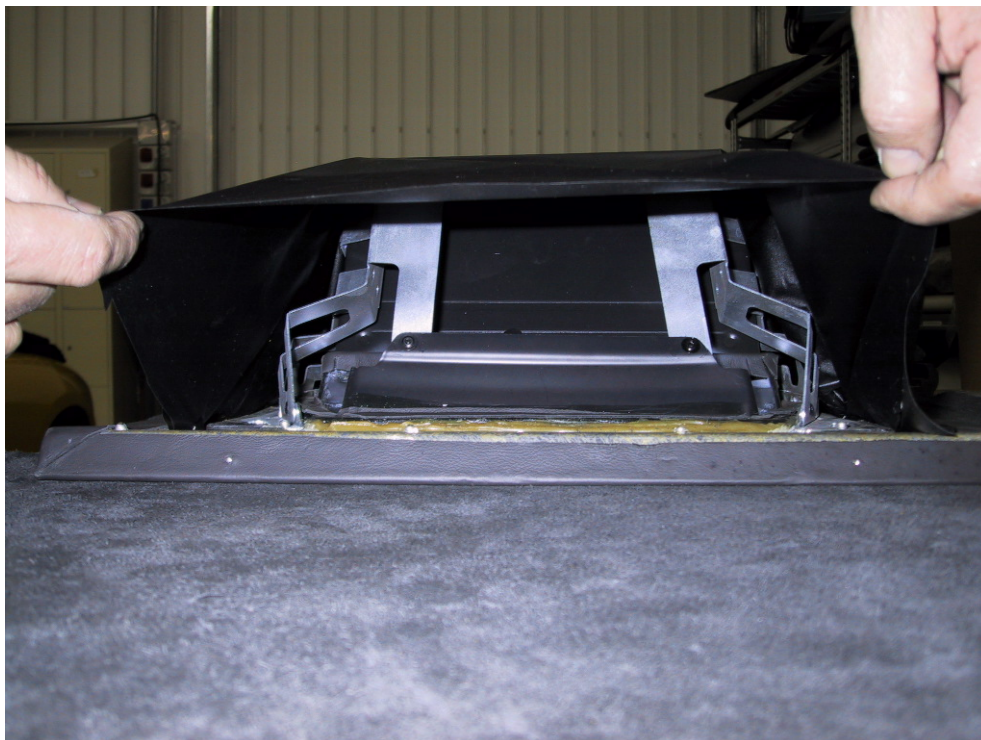
Pic.6



1.8 Fix the foil p.n. 417867385A on the CD changer covering (cut the excess foil if necessary) sealing carefully the three edges (pic.7) and leaving the lower side open to allow the wiring passing (pic.8-9).



Pic.7



Pic.8



Pic.9

1.9 Now you can re-assemble the CD changer in its original position.