



Service Bulletin

SERVICE UPDATE

SUBJECT: Service Update for Inventory and Customer Vehicles
Underhood Electrical Center (UEC) Missing Fuses and Relays
Expires with Base Warranty

MODELS: 2015 Chevrolet Silverado
2015 GMC Sierra
Equipped with Accessory Wiring Junction Block (RPO 9L7)

This service update includes vehicles in dealer inventory and customer vehicles that return to the dealership for any reason. This bulletin will expire at the end of the involved vehicle's New Vehicle Limited Warranty period.

PURPOSE

This bulletin provides a service procedure to install fuses and relays as required in the Underhood Electrical Center (UEC) on **certain** 2015 model year Chevrolet Silverado and GMC Sierra vehicles equipped with an accessory-wiring-junction-block (RPO 9L7). These vehicles may have missing fuses and relays. The customer may notice that the auxiliary switches are inoperative after the function is added to the vehicle.

This service procedure should be completed as soon as possible on involved vehicles currently in dealer inventory and customer vehicles that return to the dealer for any type of service during the New Vehicle Limited Warranty coverage period.

VEHICLES INVOLVED

All involved vehicles are identified by VIN in the Global Warranty Management System – Investigate Vehicle History Application. Dealership technicians should always check this site to confirm vehicle involvement prior to beginning any required inspections and/or repairs. It is important to routinely use this tool to verify eligibility because not all similar vehicles may be involved regardless of description or option content.

Additionally, a list of involved vehicles currently in dealer inventory is available on the “Service Update Bulletin Information” link under the “Service” tab in GM GlobalConnect (US) or attached to the GlobalConnect message (Canada) used to release this bulletin. Customer vehicles that return for service, for any reason, and are still covered under the vehicle's base warranty should also be checked for vehicle eligibility.

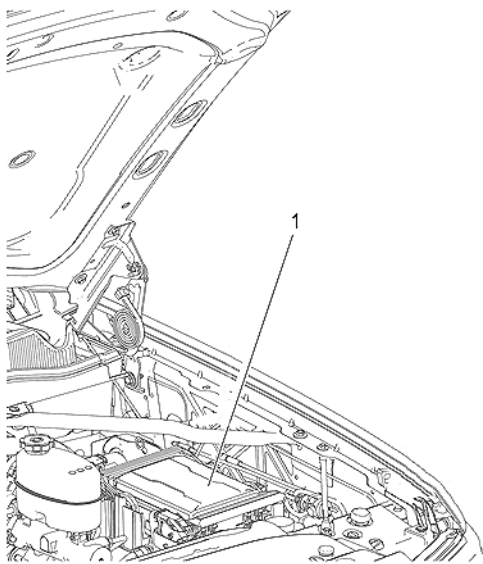
PART INFORMATION

Parts required to complete this service update are to be obtained from General Motors Customer Care and Aftersales (GMCCA). Please refer to your “involved vehicles listing” before ordering parts. This part will be on Order Writing control initially and all DRO’s (Daily Replenishment Orders) will cancel. Dealers can place orders CSO (Customer Special Order). In emergency situations a dealer should place a SPAC case and the orders will be processed in the order received.

Part Number	Description	Quantity/Vehicle
19209790	Fuse (5A)	2
19209796	Fuse (30A)	4
19116057	Relay	4

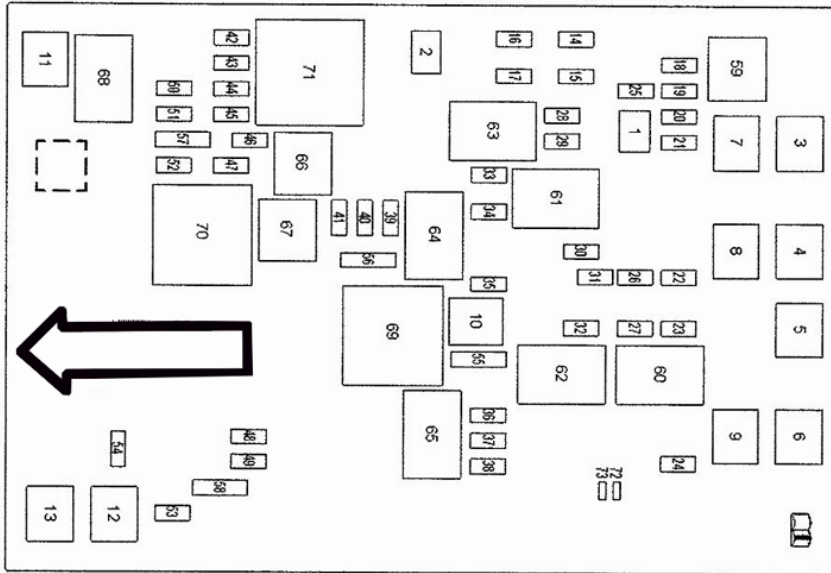
SERVICE PROCEDURE

This service procedure covers the installation of six fuses and four relays in the Underhood Electrical Center (UEC). These components are required for functionality of the RPO 9L7 Auxiliary Switch Panel located in the center of the Instrument Panel.



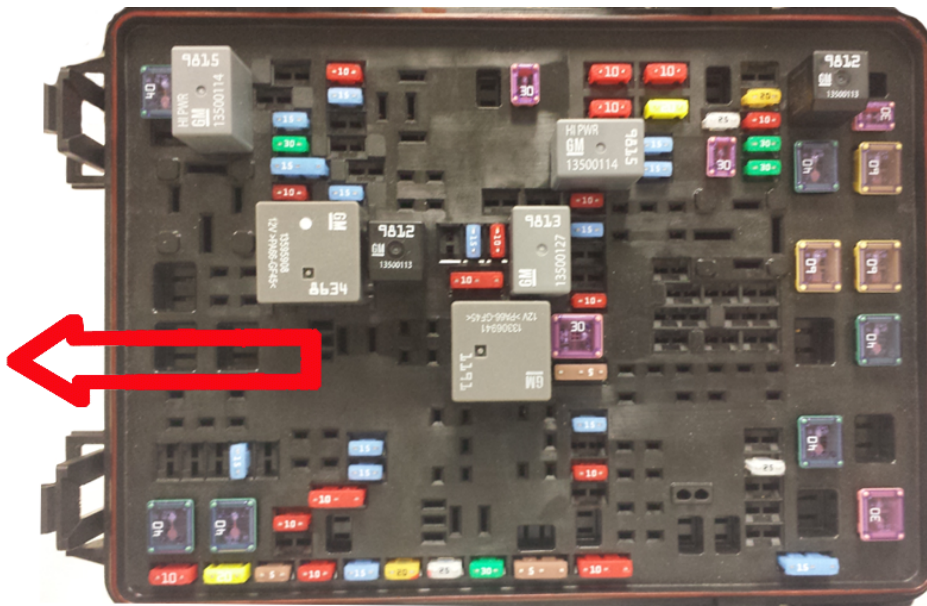
4216854

1. Remove the cover from the Underhood Electrical Center (1).



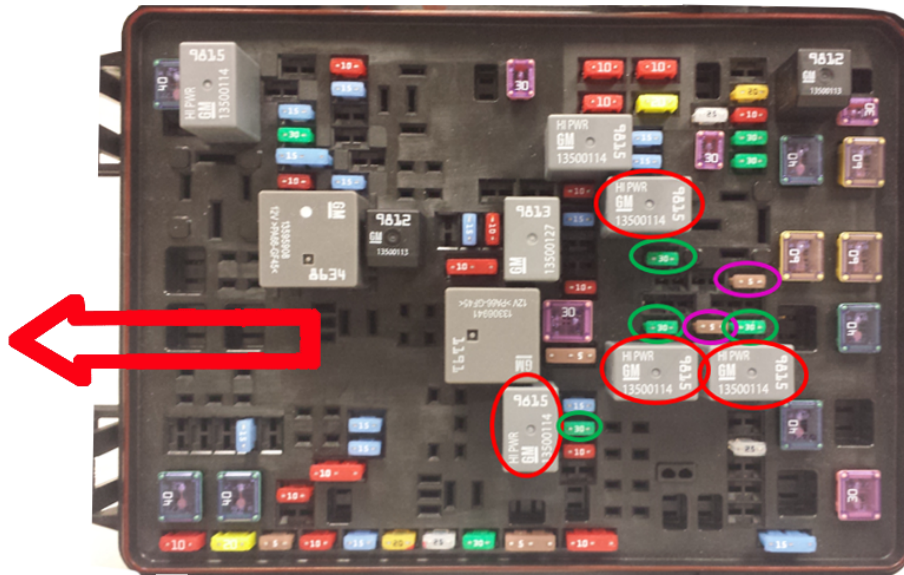
4216856

UEC fuse block component locations viewed from left side of vehicle



4216857

UEC fuse block *before* fuse and relay installation



4216858

UEC fuse block *after* fuse and relay installation

Note: Firmly insert components directly from the top, (Do not wiggle).

2. Locate fuse positions 22 and 27 circled in purple.
3. Install the **two tan** 5A fuses.
4. Locate fuse positions 23, 30, 32, and 37 circled in green.
5. Install the **four green** 30A fuses.
6. Locate relay positions 60, 61, 62, and 65 circled in red.
7. Install the **four gray** HIPWR relays in their correct orientation.
8. Install the UEC cover, and close the hood.

WARRANTY TRANSACTION INFORMATION

Submit a transaction using the table below. All transactions should be submitted as a ZFAT transaction type, unless noted otherwise.

Labor Code	Description	Labor Time
9101612	Install UEC Fuses / Relays	0.3

DEALER PROGRAM RESPONSIBILITY

Whenever a vehicle subject to this service update enters your vehicle inventory, or is in your facility for service in the future, and the vehicle is still covered under the New Vehicle Limited Warranty, you must take the steps necessary to be sure the service update correction has been made before selling or releasing the vehicle.

GM bulletins are intended for use by professional technicians, NOT a "do-it-yourselfer". They are written to inform these technicians of conditions that may occur on some vehicles, or to provide information that could assist in the proper service of a vehicle. Properly trained technicians have the tools, equipment, safety instructions, and know-how to do a job properly and safely. If a condition is described, **DO NOT** assume that the bulletin applies to your vehicle, or that your vehicle will have that condition. See your dealer for information on whether your vehicle may benefit from the information.



**We Support
Voluntary Technician
Certification**

GM CUSTOMER CARE AND AFTERSALES
DCS3703
URGENT - DISTRIBUTE IMMEDIATELY

Date: June 26, 2015

Subject: 15411 – Service Update Bulletin
Underhood Electrical Center (UEC) Missing Fuses and Relays

Models: 2015 Chevrolet Silverado
2015 GMC Sierra
Equipped with Accessory Wiring Junction Block (RPO 9L7)

To: All Chevrolet and GMC Dealers

Attention: General Manager, Service Advisor, Service Manager, Parts and
Service Director, Parts Manager, New Vehicle Sales Manager,
and Warranty Administrator

General Motors is releasing Service Update Bulletin 15411 today. The total number of U.S. vehicles involved is approximately 2,190. Please see the attached bulletin for details.

Global Warranty Management (GWM)

The “Investigate Vehicle History” (IVH) screen will be updated June 27, 2015. A list of involved vehicles in dealer inventory is attached to this message.

END OF MESSAGE
GM CUSTOMER CARE AND AFTERSALES