

Ferrari

Ferrari North America, Inc.

Tuesday, July 13, 1999

99V-168

Via U.S. Mail



Ms. Kathleen DeMeter, Director
Office of Defects Investigation
National Highway Traffic Safety Administration
400 Seventh Street, SW
Washington, D.C. 20590

Ref: Recall Booklets: 166, 167, 168

Dear Ms. DeMeter:

For your records, enclosed please find a copies of the Ferrari North America Recall booklets for Recalls 166, 167, and 168, which have been sent to all of the authorized Ferrari dealers within our network.

Thank you.

Best regards,

Concetta Ciaccio
Executive Assistant

Enclosure

QBRCALL166166300K

RECEIVED
99 JUL 16 PM 1:39
OFFICE
DEFECTS INVESTIGATION

RECALL CAMPAIGN

**REF. NO. 168
EVAPORATOR
ASSEMBLY PANEL**

456 GT/GTA

JULY 1999

**READ, INITIAL
AND PASS ON »**

Service Manager	Parts Manager	Service Writer	Technician				Warranty Clerk

Ferrari

Ferrari North America, Inc.

July 1999

Dear Ferrari Dealer:

Ferrari S.p.A., the manufacturer of Ferrari automobiles, has decided that a defect exists in certain 1995-1998 model year Ferrari 456 GT/GTA vehicles.



On Ferrari vehicles, 1995-1998 model year 456 GT/GTA, with Vehicle Identification Numbers from 99500 to 109273, which have a Vehicle Assembly number from 16490 to 26486, the heater hoses are exposed to the driver's side footwell. Should a leak occur, the result would be possible scalding of the driver's foot.

The remedy consists of installing a protective panel over the heater hoses as per the attached technical instructions.

The corrective action will require approximately 0.2 hours.

We have accordingly sent notices to all owners of the affected vehicles advising them of this problem and requesting that they contact any Authorized Ferrari Dealer for the repairs, as per the attached notification letter.

Upon transmittal of the repair under the normal warranty system, we will of course reimburse you for the labor necessary to carry out this campaign.

Obviously, if you have any of the affected vehicles in your stock, you must not sell them until you have performed the necessary repairs. If you have already sold any vehicles with the chassis numbers specified in the enclosed instructions and have not yet sent in the retail sales cards, please do so at once so we may notify these owners.

Thank you for your cooperation.

Best Regards,

A handwritten signature in black ink, appearing to read 'William S. Story', written over a horizontal line.

William S. Story
Director of Technical Services



RECALL CAMPAIGN NO. 168

INTRODUCTION : Ferrari 456 GT/GTA Evaporator Assembly Panel

SUBJECT : Recall Campaign No. 168

VEHICLES : Ferrari Model year 1995-1998 456 GT/GTA with Vehicle Assembly Numbers from 16490 to 26486 and Vehicle Identification Numbers from 99500 to 109273.

CONDITION : The heater hoses are exposed to the drivers die footwell.

Should the hose leak, the result would be possible scalding of the drivers foot.

REMEDY : Install a protective panel over the heater hoses.
As per the attached instruction.

PARTS : The new lines are identified by the following part numbers :

Old Part Number	New Part Number	Quantity	Description
	65329800	1	Panel

LABOR :	MEDEA Recall number	1680	Defect Code	01
	Component Code	9650	Cost Code	24
	Labor Operation	96500	Time	.2 Hours

REIMBURSEMENT : Upon receipt of claim via MEDEA



INSTRUCTIONS FOR FUEL LINE REPLACEMENT

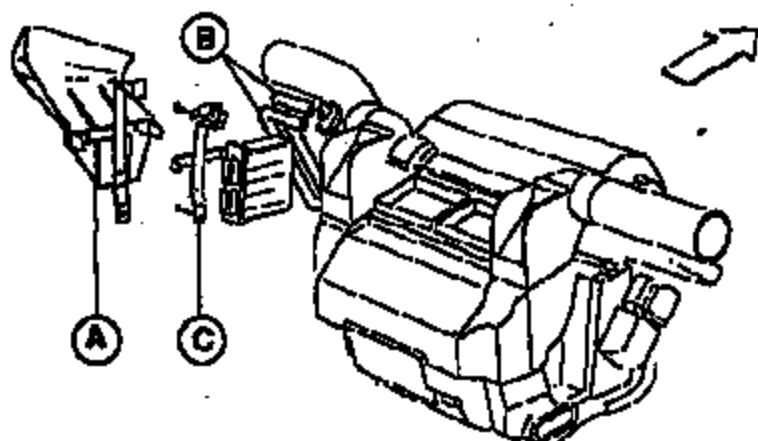
A: Preliminary: The replacement evaporator assembly panel is supplied as spare part by the part number listed on the previous page.

B: Procedure for installation

- 1) Remove the front left tunnel carpeted panel
- 2) Remove the existing air conditioning ECU support bracket, Or the aluminum panel.
- 3) Insert the new panel (65329800) with the enclosed bracket into place without the ECU
- 4) Once in position, slide the ECU into place under the bracket
- 5) Fit the top edge of the bracket under the mounting strap

NOTE: BE SURE THAT THE UPPER TAB OF THE BRACKET IS UNDER THE MOUNTING STRAP AND SECURE

- 6) Install the lower mounting screw
- 7) Install the tunnel carpeted panel





Recall 168

List of Affected Serial Numbers

99600	100281	100778	102031	106184	107640
99706	100282	100778	102081	106244	107642
99736	100284	100785	102106	106268	107877
99785	100315	100819	102213	106285	107879
99841	100325	100831	102287	106307	107887
99842	100333	100840	102332	106308	107907
99857	100334	100855	102385	106345	107918
99886	100345	100885	102500	106358	108131
99877	100348	100877	102537	106389	108336
99878	100357	100890	102574	106370	108367
99887	100358	100912	102612	106383	108489
99888	100369	100947	102638	106616	109247
99897	100383	100970	102617	106629	109273
99898	100393	100981	102630	106643	
100023	100384	100993	102895	106644	
100045	100405	101004	102947	106658	
100059	100408	101005	102973	106672	
100071	100417	101015	103012	106673	
100079	100418	101016	103048	106687	
100092	100428	101050	103087	106701	
100103	100429	101085	103096	106787	
100106	100439	101109	103099	106802	
100116	100448	101158	103125	106803	
100118	100450	101188	103138	107023	
100128	100482	101198	103150	107024	
100139	100474	101212	103248	107041	
100140	100475	101225	103313	107058	
100142	100484	101250	103875	107076	
100151	100485	101317	103780	107077	
100164	100495	101424	103781	107084	
100176	100506	101476	103887	107111	
100187	100507	101514	105888	107127	
100188	100541	101552	105883	107128	
100200	100580	101582	105896	107142	
100211	100600	101643	105928	107310	
100212	100613	101708	105957	107315	
100222	100624	101745	105958	107318	
100232	100648	101798	105988	107319	
100234	100661	101838	106003	107329	
100235	100673	101875	106021	107330	
100238	100700	101887	106034	107341	
100248	100701	101912	106047	107352	
100247	100716	101926	106137	107391	
100257	100717	101978	106143	107392	
100258	100741	101979	106147	107404	
100269	100742	102005	106161	107635	
100270	100755	102017	106170	107637	

Ferrari North America, Inc.

July 1999

«MXFRST» «MXLAST»
«MXADD1»
«MXADD2»
«MXCITY», «MXST» «MXZIP»

Serial Number: «AOMAT»



Dear Ferrari Customer:

This notice is sent to you in accordance with the requirements of The National Traffic and Motor Vehicle Safety Act.

Ferrari S.p.A., the manufacturer of Ferrari automobiles, has decided that a defect, which relates to motor vehicle safety, exists in certain 1995-1998 model year Ferrari 456 GT/GTA vehicles.

On Ferrari vehicles, 1995-1998 model year 456 GT/GTA, with Vehicle Identification Numbers from 99500 to 109273, which have a Vehicle Assembly number from 16490 to 26486, the heater hoses are exposed to the driver's side footwell. Should a leak occur, the result would be possible scalding of the driver's foot. The remedy consists of installing a protective panel over the heater hoses.

Since your car is among those affected by the above condition, we kindly ask you to immediately contact any Authorized Ferrari Dealer in order to arrange an inspection of your automobile and to have the corrective action performed.

The corrective action for the above listed repair will be performed free of charge to you and will require approximately 0.2 hours to complete. Please plan, however, to leave your vehicle with the dealership all day to allow the dealer some flexibility for scheduling your repairs.

By the time you receive this letter, the Authorized Ferrari Dealer will have been supplied with the instructions to perform the repair. If the Dealer fails or is unable to make the necessary repairs free of charge within a reasonable time, or if you have any problem obtaining the needed repair, you should inform the National Headquarters Office of Ferrari North America, Inc.



250 Sylvan Avenue
Englewood Cliffs, NJ 07632

(201) 816-2651 (National Technical Office)

If the affected vehicle is not repaired free of charge to you within a reasonable time, you may submit a written complaint to the Administrator, National Highway Traffic Safety Administration, (NHTSA), 400 Seventh Street, SW, Washington, DC 20590. You may also telephone the Auto Safety Hot line at 800-424-9393 nationally or (202) 366-0123 for Washington, DC area residents.

We urge you to comply with this notice promptly and we apologize for any inconvenience this may cause you.

Best Regards,

William S. Story
Director of Technical Services

WSS: cc

