

AG02 Stop Sale Campaign/Recall Campaign - Checking Circlip on Bearing Bracket for Pedals

Model line: **Cayenne (92A)**

Model Year: **As of 2011 up to 2017**

Subject: **Circlip on bearing bracket for pedals**

Situation: **Internal tests have shown that a circlip on the bearing bracket for the pedals may have become detached from its locking position as a result of preassembly processes carried out by a supplier.**

In this case, the bearing pin for the pedals will no longer be secured axially in the bearing bracket and can come out of one of the two bearings over the service life.

If the bearing pin is mounted on one side only, brake pedal actuation will be impaired.

Action Required: Checking circlip on bearing bracket for pedals to make sure it is fitted correctly.
A new circlip may have to be installed.

Affected Vehicles: Only the vehicles assigned to the campaign (see also PIWIS Vehicle information).

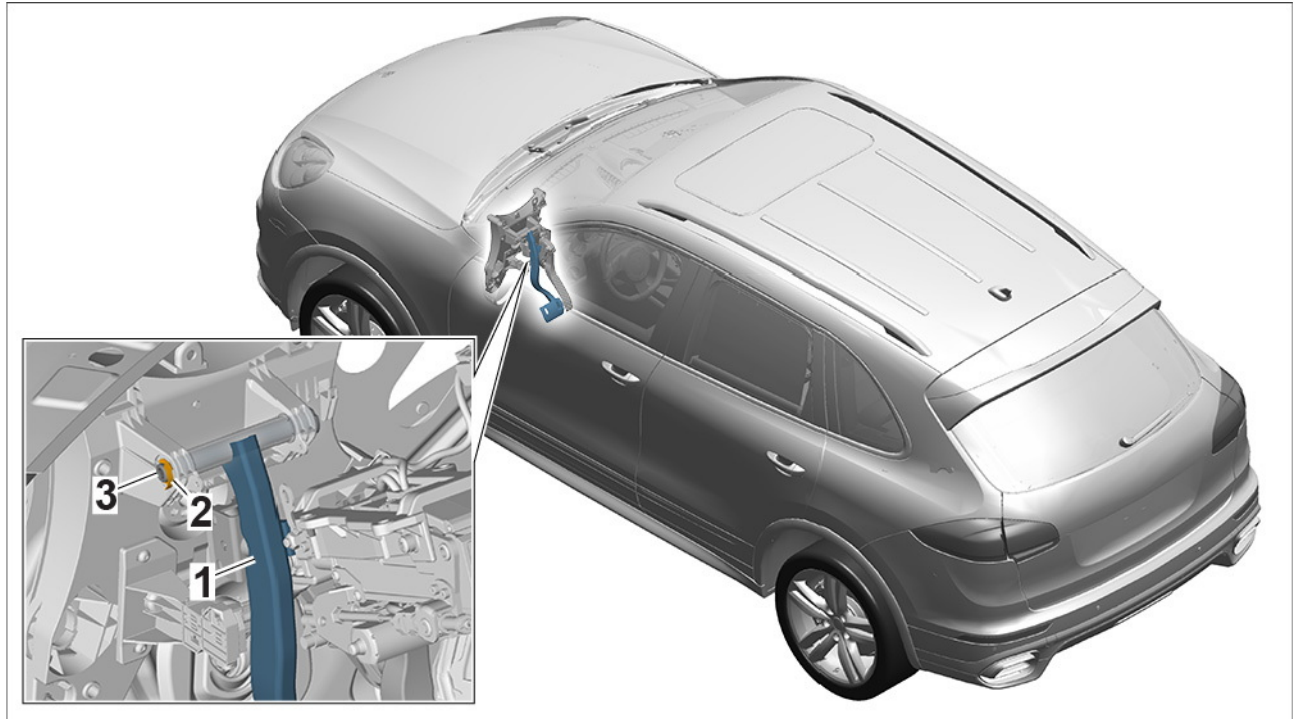
Part No.: **NOTE: PARTS WILL NOT BE AUTOMATICALLY ALLOCATED TO YOUR DEALERSHIP. ALL PARTS MUST BE ORDERED VIA A PTEC/PAV.**

Part No.	Designation	Qty.
999 166 092 01	⇒ Circlip	1 ea. (only if required)

Tools:

- Flashlight
- Screwdriver (long)

Installation
position:



Installation position of circlip for brake pedal

- 1 – Brake pedal
- 2 – Circlip for bearing pin
- 3 – Bearing pin

- Procedure:
- 1 Switch off ignition and remove ignition key.
 - 2 Place a protective mat over the door entry area as far as the footwell on the driver's side.
 - 3 Move front seat as far back as it will go.



Information

Two options for checking that the circlip is fitted correctly are described below.

The options are different **depending on the different equipment variants**, e.g. knee airbag or sound system.

There is **no need** to remove any add-on parts for either option.

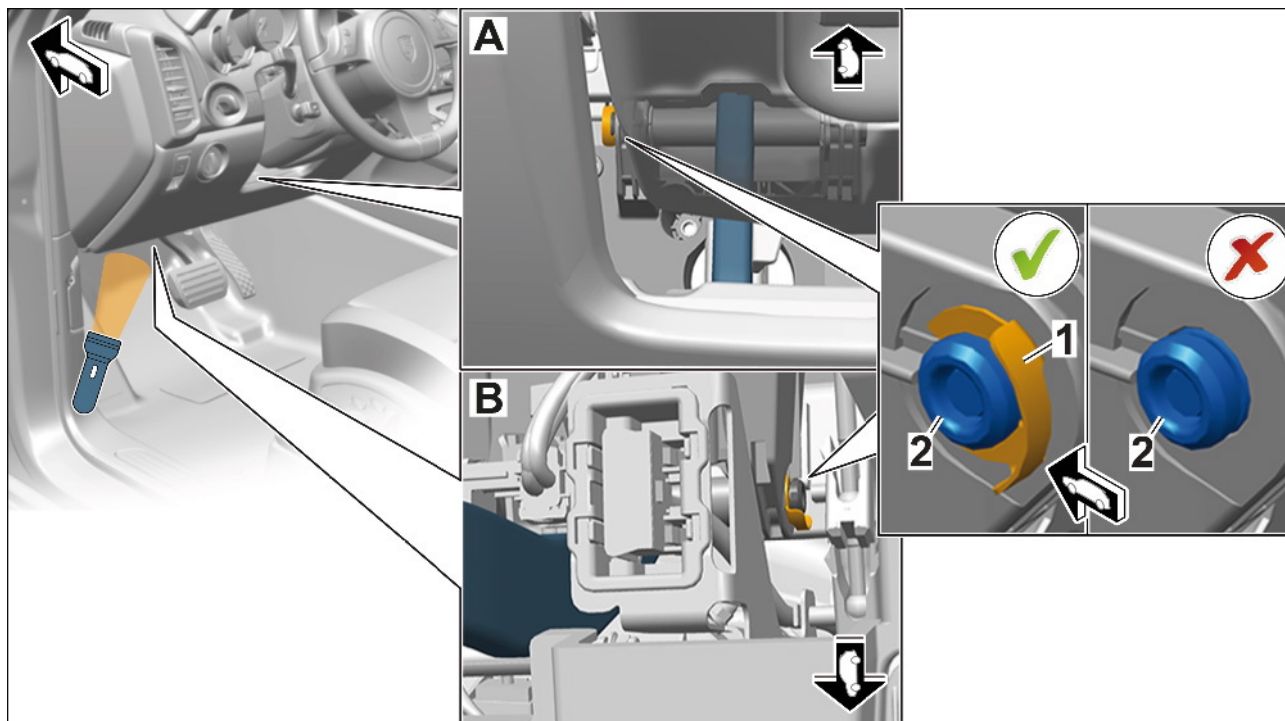
- 4 Perform a visual inspection using a flashlight and check whether the silver-coloured circlip ⇒ *Visual inspection of circlip -1-* is fitted correctly on the bearing pin ⇒ *Visual inspection of circlip -2-* at the left-hand side of the bearing bracket for the brake pedal.

Option A:

Perform a visual inspection to check the installation of the circlip through the opening between the steering column trim panel and the trim panel under the dashboard ⇒ *Visual inspection of circlip -A-*.

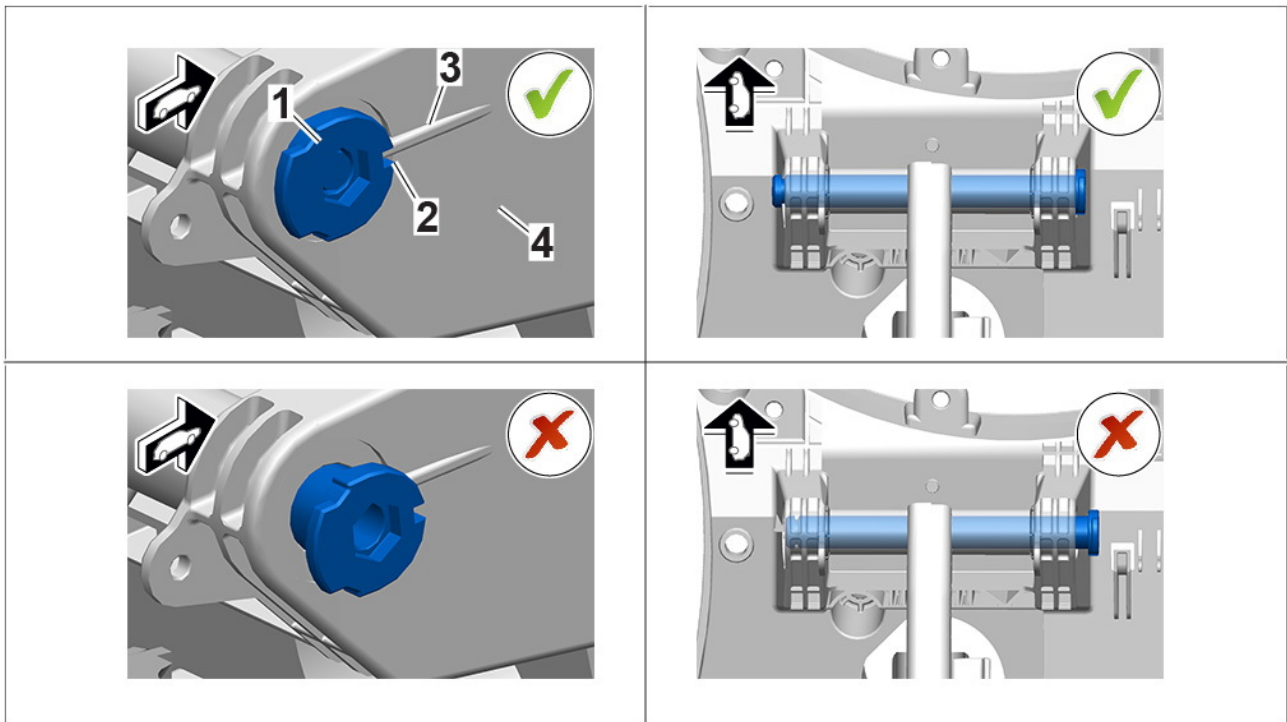
Option B:

Perform a visual inspection to check the installation of the circlip from the driver's footwell by looking up towards the bearing bracket for the brake pedal ⇒ *Visual inspection of circlip -B-*.



Visual inspection of circlip

- If the **circlip** ⇒ *Visual inspection of circlip -1-* is on the bearing pin ⇒ *Visual inspection of circlip -2-* and is **fitted correctly** as shown ⇒ *Visual inspection of circlip, continue with Step 7.*
 - If the **circlip** ⇒ *Visual inspection of circlip -1-* is **not** on the bearing pin ⇒ *Visual inspection of circlip -2-*, **continue with Step 5.**
- 5 Check the position of the bearing pin and make sure the bearing pin is positioned correctly.



Checking bearing pin

- The end collar of the bearing pin ⇒ *Checking bearing pin -1-* (on the right-hand side of the bearing bracket for the brake pedal ⇒ *Checking bearing pin -4-*) has a cut-out ⇒ *Checking bearing pin -2-*. This means that the bearing pin can only be fitted correctly in one specific position.
- If the end collar of the bearing pin is **no longer flush** with the **bearing bracket** ⇒ *Checking bearing pin -bottom left-*, make sure that the bearing pin has not already **come completely out of the left bearing on the bearing bracket**. You can tell whether this is the case by how far the bearing pin on the right-hand side of the bearing bracket is sticking out and you can also check this by checking the brake pedal. To do this, press the brake pedal from left to right towards the accelerator pedal with your hand. If the brake pedal is no longer held in its installation position and can be tilted down at one side, the bearing pin has already come **completely** out of the left bearing on the bearing bracket. In this case, please create a **PTEC/TLAR** for further assistance.
- If the bearing pin is no longer flush with the bearing bracket, but **has not yet come out of the left bearing** (⇒ *Checking bearing pin -bottom right-*), push the bearing pin in flush again and check that the cut-out ⇒ *Checking bearing pin -2-* on the bearing pin is positioned correctly with respect to the guide lug ⇒ *Checking bearing pin -3-* on the bearing bracket ⇒ *Checking bearing pin -4-*. This is the only way to ensure that the bearing pin is installed at the correct position and cannot turn.

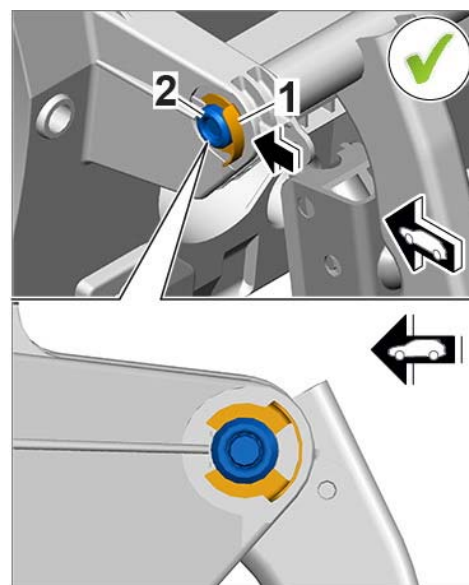
- 6 **Push a new** circlip ⇒ *Installing circlip-1-* onto the bearing pin ⇒ *Installing circlip-2-* as shown ⇒ *Installing circlip-arrow-* until the circlip engages securely.



Information

The circlip only engages correctly when the collar of the circlip is **at the side** (-arrow-).

- 7 Remove protective mat.
- 8 Enter the campaign in the Warranty and Maintenance booklet.



Installing circlip

Warranty Invoicing

Scope 1:

Working time:	
Checking circlip on bearing bracket for pedals	Labor time: 23 TU
Warranty Invoicing: ⇒ Damage Code AG02 99 000, Repair Code 1	

Scope 2:

Working time:	
Checking circlip on bearing bracket for pedals and installing new circlip	Labor time: 30 TU
Parts required:	
999 166 092 01 Circlip	1 ea.

Warranty Invoicing: ⇒ Damage Code AG02 99 000, Repair Code 1

Important Notice: Technical Bulletins issued by Porsche Cars North America, Inc. are intended only for use by professional automotive technicians who have attended Porsche service training courses. They are written to inform those technicians of conditions that may occur on some Porsche vehicles, or to provide information that could assist in the proper servicing of a vehicle. Porsche special tools may be necessary in order to perform certain operations identified in these bulletins. Use of tools and procedures other than those Porsche recommends in these bulletins may be detrimental to the safe operation of your vehicle, and may endanger the people working on it. Properly trained Porsche technicians have the equipment, tools, safety instructions, and know-how to do the job properly and safely. If a particular condition is described, do not assume that the bulletin applies to your vehicle, or that your vehicle will have that condition. See your authorized Porsche Dealer for the latest information about whether a particular technical bulletin applies to your vehicle. Part numbers listed in these bulletins are for reference only. Always check with your authorized Porsche dealer to verify the current and correct part numbers. The work procedures updated electronically in the Porsche PIWIS diagnostic and testing device take precedence and, in the event of a discrepancy, the work procedures in the PIWIS Tester are the ones that must be followed.

© Porsche Cars North America, Inc.

Dealership	Service Manager	Shop Foreman	Service Technician				
Distribution							
Routing	Asst. Manager	Warranty Admin.	Service Technician				

Dr. Ing. h.c. F. Porsche AG is the owner of numerous trademarks, both registered and unregistered, including without limitation the Porsche Crest®, Porsche®, Boxster®, Carrera®, Cayenne®, Cayman®, Macan®, Panamera®, Speedster®, Spyder®, 918 Spyder®, Tiptronic®, VarioCam®, PCM®, PDK®, 911®, RS®, 4S®, FOUR, UNCOMPROMISED®, and the model numbers and the distinctive shapes of the Porsche automobiles such as, the federally registered 911 and Boxster automobiles. The third party trademarks contained herein are the properties of their respective owners. Porsche Cars North America, Inc. believes the specifications to be correct at the time of printing. Specifications, performance standards, standard equipment, options, and other elements shown are subject to change without notice. Some options may be unavailable when a car is built. Some vehicles may be shown with non-U.S. equipment. The information contained herein is for internal authorized Porsche dealer use only and cannot be copied or distributed. Porsche recommends seat belt usage and observance of traffic laws at all times.

Printed in the USA