

00V-098

RECALL CAMPAIGN

**REF. NO. 25
AIR-BAG ELECTRONIC
CONTROL UNIT MOUNTING
360 MODENA / 360 MODENA F1**

RECEIVED
OFFICE INVESTIGATION
17 APR 2000 PM 3:03

APRIL 2000

READ, INITIAL
AND PASS ON »

Service Manager	Parts Manager	Service Writer	Technician				Warranty Clerk



Ferrari North America, Inc.

April 13, 2000

Dear Ferrari Dealer:

Ferrari S.p.A., the manufacturer of Ferrari automobiles, has decided that a defect, which relates to motor vehicle safety, exists in certain 1999 model year Ferrari 360 Modena vehicles.



On certain Ferrari vehicles, 1999 model year 360 Modena / 360 Modena F1, with Vehicle Identification Numbers from 114015 to 117623, which have a Vehicle Assembly Number from 32108 to 34688, the mounting of the Air Bag Electronic Control Unit (ECU) may not be suited for long term reliability. If left unchanged, the Air Bag ECU mounting could become weak. If such a condition should occur, the ability of the Air Bag ECU to sense a crash could be compromised, and if a crash should occur, the air bag may not deploy as expected.

The remedy consists of installing longer screws, which ensure better tightening and securing to the body element.

The corrective action will require approximately 0.6 hours.

We have accordingly sent notices to all owners of the affected vehicles advising them of this problem and requesting that they contact any Authorized Ferrari Dealer for the repairs, as per the attached notification letter.

Upon transmittal of the repair under the normal warranty system, we will of course reimburse you for the labor and parts necessary to carry out this campaign.

Obviously, if you have any of the affected vehicles in your stock, you must not sell them until you have performed the necessary repairs. If you have already sold any vehicles with the chassis numbers specified in the enclosed instructions and have not yet sent in the retail sales cards, please do so at once so we may notify these owners.

Thank you for your cooperation.

Best Regards,

Enzo Francesconi
Director of Technical Services

RECALL CAMPAIGN NO. 25

INTRODUCTION: Ferrari 360 Modena Air-Bag Electronic Control Unit Mounting

SUBJECT: Recall Campaign No. 25

VEHICLES: Ferrari Model year 1999 360 Modena with Vehicle Assembly Number from 32108 to 34688 and Vehicle Identification Numbers from 114015 to 117623.
See attached list of affected vehicles.

CONDITION: The mounting of the Air Bag Electronic Control Unit (ECU) may not be suited for long term reliability. If left unchanged, the air bag ECU mounting could become weak. If such a condition should occur, the ability of the air bag ECU to sense a crash could be compromised, and if a crash should occur, the air bag may not deploy as expected.

REMEDY: The remedy consists of installing longer screws which ensure better tightening and securing to the body element.

PARTS: The new screws are identified by the following part numbers:

Old Part Number	New Part Number	Quantity	Description
64882800	64830600	3	Screw
127494	12605374	3	Washer

LABOR:

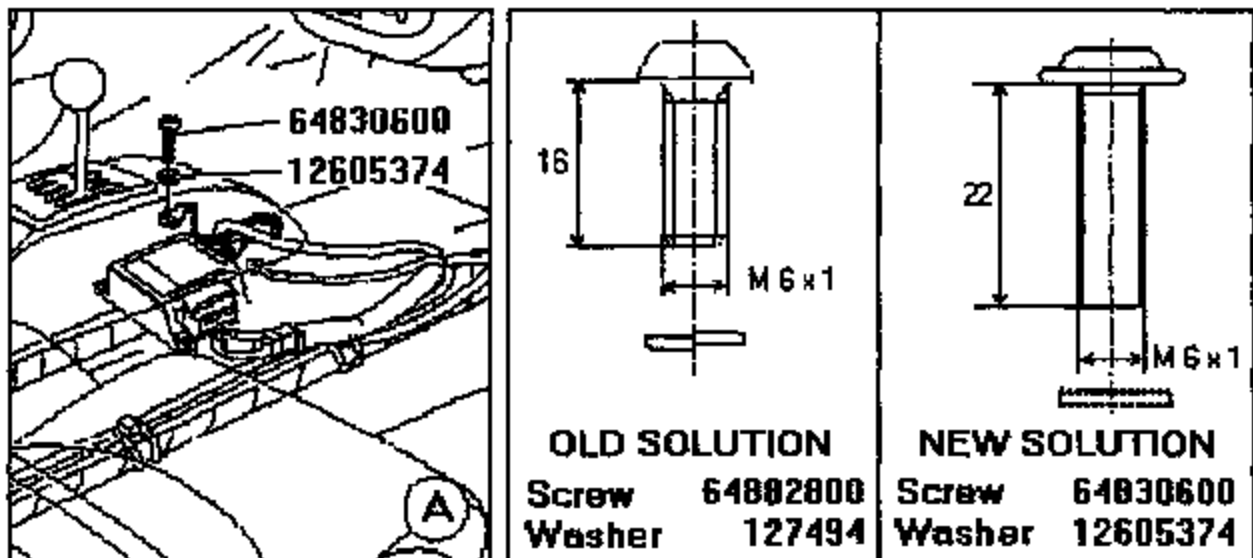
Campaign Number	25	Defect Code	01
Component Code	700003	Cost Code	24
Labor Operation and Time:			
Air Bag ECU	7000030	0.3 hours	
SD2 Test	1000270	0.3 hours	

REIMBURSEMENT: Upon receipt of claim via M.O.D.I.S.

RECALL # 25
360 Modena / 360 Modena F1
Air Bag Electronic Control Unit Mounting

Technical Instructions

1. Disconnect the battery by means of the switch located in the luggage compartment
2. To remove and install the center console cover, follow the procedure outlined in the workshop manual "Disassembly of the Central Console" (Volume "2", Section "M", Chapter "M3.02")
3. Replace the screws (old part number 64882800) and the washers (old part number 127494) of the air bag electronic control unit (ECU) with the new solution shown in the drawing below (Screw - new part number 64830600, Washer - new part number 12605374).
4. Using a proper torque wrench, tighten the three- (3) air bag ECU mounting screws to a torque of 7.5 Nm (5.5 ft.lbs.)
5. Reconnect the battery
6. Perform the COMPLETE air bag system cycle check with the System Diagnosis 2 (SD2)
7. The SD2 air bag system check printout must be faxed to the Ferrari North America Warranty Department at 201 816 0359.



Recall #25
List of Affected Vehicles
360 Modena / 360 Modena F1
Air Bag Electronic Control Unit Mounting

Vehicle Identification No.	Vehicle Assembly No.	Vehicle Identification No.	Vehicle Assembly No.	Vehicle Identification No.	Vehicle Assembly No.
114015	32108	116839	33798	117307	34385
114021	32486	116841	33757	117308	34400
115013	32528	116736	33867	117309	34504
115014	32811	116753	33806	117310	34519
115015	32888	116754	33872	117311	34543
115016	32760	116755	33812	117312	34564
115017	32828	116756	33836	117314	34567
115018	32863	116757	33826	117315	34583
115019	32875	116758	33880	117372	34290
115020	34087	116759	33862	117373	34299
115250	33097	116760	34626	117374	34300
115251	33293	116761	34242	117376	34314
115471	32972	116762	34243	117377	34322
116132	33129	116834	34200	117378	34361
116133	33252	116836	34157	117379	34363
116172	33228	116835	34221	117380	34436
116174	33242	116837	34222	117381	34369
116177	33271	116838	34238	117382	34387
116179	33359	116839	34257	117383	34403
116351	33424	116840	34268	117384	34415
116352	33291	116841	34271	117385	34437
116353	33313	116842	34170	117386	34438
116354	33319	116843	34201	117387	34447
116423	33458	116904	34252	117388	34464
116442	33464	116905	34179	117389	34465
116443	33460	116906	34272	117390	34485
116444	33508	116907	34273	117462	34590
116447	33579	116908	34178	117463	34603
116470	33536	116909	34226	117494	34636
116471	33632	116910	34194	117465	34640
116472	33608	116911	34259	117470	34487
116586	33612	116912	34244	117540	34655
116587	33650	116913	34217	117541	34523
116588	33662	116914	34260	117543	34545
116589	33704	116915	34204	117544	34621
116590	33636	116917	34270	117545	34588
116591	33708	117277	34180	117548	34592
116592	33756	117278	34233	117550	34625
116629	33642	117279	34258	117551	34632
116632	33822	117280	34275	117552	34633
116633	33747	117281	34297	117591	34622
116635	33660	117303	34288	117620	34653
116636	33781	117304	34336	117621	34684
116637	33785	117305	34365	117623	34685



Ferrari North America, Inc.

April 13, 2000

«MXFRST» «MXLAST»
«MXADD1»
«MXADD2»
«MXCITY», «MXST» «MXZIP»



Serial Number: «AOMAT»
Assembly Number: «ASSY»

Dear Ferrari Customer:

This notice is sent to you in accordance with the requirements of The National Traffic and Motor Vehicle Safety Act.

Ferrari S.p.A., the manufacturer of Ferrari automobiles, has decided that a defect, which relates to motor vehicle safety, exists in certain 1999 model year Ferrari 360 Modena vehicles.

On certain Ferrari vehicles, 1999 model year 360 Modena / 360 Modena F1, with Vehicle Identification Numbers from 114015 to 117623, which have a Vehicle Assembly Number from 32108 to 34688, the mounting of the Air Bag Electronic Control Unit (ECU) may not be suited for long term reliability. If left unchanged, the Air Bag ECU mounting could become weak. If such a condition should occur, the ability of the Air Bag ECU to sense a crash could be compromised, and if a crash should occur, the air bag may not deploy as expected.

The remedy consists of installing longer screws, which ensure better tightening and securing to the body element.

Since your car is among those affected by the above condition, we kindly ask you to immediately contact any Authorized Ferrari Dealer in order to arrange an inspection of your automobile and to have the corrective action performed.

The corrective action for the above listed repair will be performed free of charge to you and will require approximately **0.6 hours** to complete. Please plan, however, to leave your vehicle with the dealership all day to allow the dealer some flexibility for scheduling your repairs.



By the time you receive this letter, the Authorized Ferrari Dealers will have been supplied with the instructions to perform the repair. If the Dealer fails or is unable to make the necessary repairs free of charge within a reasonable time, or if you have any problem obtaining the needed repair, you should inform the National Headquarters of Ferrari North America, Inc., at:

Ferrari North America, Inc.
250 Sylvan Avenue
Englewood Cliffs, NJ 07632
(201) 816-2651 (National Technical Office)

If the affected vehicle is not repaired free of charge to you within a reasonable time, you may submit a written complaint to the Administrator, National Highway Traffic Safety Administration, (NHTSA), 400 Seventh Street, SW, Washington, DC 20590. You may also telephone the Auto Safety Hot Line at 800-424-9393 nationally or (202) 366-0123 for Washington, DC area residents.

We urge you to comply with this notice promptly and we apologize for any inconvenience this may cause you.

Best Regards,

A handwritten signature in black ink, appearing to read 'Enzo Francesconi', with a long horizontal flourish extending to the right.

Enzo Francesconi
Director of Technical Services

EF: rp