

Ferrari

Ferrari North America, Inc.

September 18, 1997

Ms. Kathleen DeMeter, Director
Office of Defects Investigation
National Highway Traffic Safety Administration
400 Seventh Street, SW
Washington, D.C. 20590

97V-100 (1)

Dear Ms. DeMeter:

Enclosed please find Vehicle Safety Defect Initial Information Reports regarding the Recall Campaign which we are initiating in order to correct the following:



On Ferrari vehicles, 1995 model F355 with assembly numbers between 16958 and 19291 which have been fitted with dual fuel pumps, the fuel injection lines may fracture if the aluminum nut attaching the lines is tightened in excess of the required specifications. The potential for hairline cracks on the fuel injection rails also exists.

Should such a condition occur, the result would be leakage of fuel from the fractured line.

This condition was determined to exist after Ferrari factory laboratory testing showed that the repetitive tightening, without following the Ferrari's prescribed tightening torque specifications, can provoke stresses that can lead to fracture of the aluminum nut.

The remedy consists of replacing the four fuel injection lines and two rails which have their nuts made of aluminum with new fuel injection lines and rails which have their nuts made of steel in accordance with the attached technical instructions.

Attached you will find a list of all vehicles potentially affected.

For the above campaign, it is our intention to notify each Ferrari Dealer with a comprehensive letter explaining the remedy and to notify each potentially affected vehicle owner with a letter informing them of the required recall modification. Follow-up letters will be sent if necessary.

Enclosed are draft letters that Ferrari North America, Inc. will send to the potentially affected owners and to the Authorized Ferrari Dealers, as well as a draft of the technical instructions.

Please do not hesitate to contact me at 201-816-2652 with any questions that you may have regarding the foregoing.

Yours Truly,

William S. Story -cc

William S. Story
Director of Technical Services

FERRARI NORTH AMERICA, INC.
250 SYLVAN AVENUE
ENGLEWOOD CLIFFS, NJ 07632
September 18, 1997

VEHICLE SAFETY DEFECT
INITIAL INFORMATION REPORT
FUEL INJECTION LINES AND RAILS
(DUAL FUEL PUMP VEHICLES)
RECALL No. 157

Date Submitted: September, 1997
Date Received: August, 1997
Campaign No.: 157
Campaign Date: September, 1997

<u>MAKE</u>	<u>MODEL</u>	<u>MODEL YEAR</u>	<u>NO. OF VEHICLES</u>	<u>ENCLOSED MRG. DATES</u> <u>From</u> <u>Through</u>	<u>OTHER VEHICLE</u> <u>IDENTIFICATION</u>
FERRARI	F 355	1995	269	July 1994 May 1995	Vehicles fitted with dual Fuel Pumps. See attached list

FERRARI NORTH AMERICA, INC.
250 SYLVAN AVENUE
ENGLEWOOD CLIFFS, NJ 07632
September 18, 1997

VEHICLE SAFETY DEFECT
INITIAL INFORMATION REPORT
F355 FUEL INJECTION LINES AND RAIL
(DUAL FUEL PUMP VEHICLE)
RECALL No. 157

A) DESCRIPTION OF DEFECT:

On Ferrari Vehicles: Model year 1995 F 355 fitted with dual fuel pumps.

The fuel supply line fitting may fracture if the aluminum nut attaching the lines is tightened in excess of the required torque. The potential for hairline cracks on the fuel injector rail also exists. Should such a condition occur, the result would be leakage of the fuel from the fractured line.

B) CHRONOLOGY OF EVENTS WHICH LED TO DETERMINATION OF A SAFETY DEFECT:

The Ferrari Factory informed us of the following:

This condition was determined to exist after laboratory tests have shown that the repetitive tightening, without following the Ferrari's prescribed tightening torque, can provoke stresses that can lead to fracture.

C) MEASURES TO BE TAKEN TO REPAIR VEHICLE:

Remove the four fuel injection lines and two rails that have their nut made of aluminum and replace with fuel injection lines and rails that have their nut made of steel. The operation is free-of charge for the vehicle owner, and will require approximately 5.6 hours.

ESTIMATED INITIATION OF CORRECTIVE ACTION:

September-97

Ferrari

Ferrari North America, Inc.

27V-101 

September 1997

Dear Ferrari Dealer :

Ferrari S.p.A., the manufacturer of Ferrari automobiles, has determined that a defect may exist in certain 1995 model year F355 Ferrari vehicles fitted with dual fuel pumps.



On vehicles with the vehicle identification numbers between 98673 and 102458 the fuel injection lines may fracture if the aluminum nut attaching the lines is tightened in excess of the required specifications. The potential for hairline cracks on the fuel injection rails also exists. Should such a condition occur, the result would be leakage of fuel from the fractured line or cracked rail. As with any type of fuel system leakage, the possibility of a vehicle engine fire may exist.

The above described defect can be eliminated with the replacement of the four fuel injection lines and two rails with the modified fuel injection lines and rails which are now fitted with steel nuts which are resistant to fracture.

The corrective action will require approximately 5.6 hours.

We have accordingly sent notices to all owners of the potentially affected vehicles advising them of this problem and requesting that they contact any Authorized Ferrari Dealer for the repairs, as per the attached notification letter.

Upon transmittal of the repair under the normal warranty system, we will of course reimburse you for the labor and applicable parts necessary to carry out this campaign.

Obviously, if you have any of the potentially affected vehicles in your stock, you must not sell them until you have performed the necessary repairs. If you have already sold any vehicles with the chassis numbers specified in the enclosed instructions and have not yet sent in the retail sales cards, please do so at once so we may notify these owners.

Thank you for your cooperation

Best Regards,

William S. Story -cc

William S. Story
Directory of Technical Services

WSS:cc



97V-100 (10)

RECALL CAMPAIGN NO. 157

INTRODUCTION : Fuel injection lines and rails (dual fuel pump vehicles)

SUBJECT : Recall Campaign No. 157
Ferrari F355 Fuel injection lines and rails

VEHICLES : Ferrari F 355 1995 vehicles with a vehicle identification number between 98673 and 102458 fitted with dual fuel pumps.

CONDITION : The aluminum nuts fitted on the fuel injection lines and rails may fracture if the nut is tightened in excess of the required torque specified by Ferrari. Should such a condition occur, the result would be leakage of fuel from the fractured nut.

REMEDY : Replacement of the four fuel injection lines and two rails with a steel nut that is resistant to fracture.

PARTS : The new lines are identified by the following part numbers :

<u>Old Part Number</u>	<u>New Part Number</u>	<u>Quantity</u>	<u>Description</u>
165564	172440	1	Fuel pump/RH filter delivery pipe
165566	172438	1	Fuel pump/LH filter delivery pipe
165533	172439	1	Fuel regulator/RH pump return pipe
165534	172437	1	Fuel regulator/LH pump return pipe
150221	172559	1	RH fuel rail with regulator
150220	172560	1	LH fuel rail with regulator
10183217	171752	2	Nut for filter with valve
133902	133902	8	Injector O-Ring
113910	113910	6	Gasket for fuel pipes

COST : A) An initial supply of new fuel lines and rails will be sent to your dealership. Your Parts Account will be charged accordingly.
B) Additional fuel lines can be ordered from the Ferrari North America Parts Department in Englewood Cliffs, New Jersey.

LABOR :	Component Code	1471	Cost Code	24
	Labor Operation	14710	Time	5.6 Hours
	Defect Code	01		

REIMBURSEMENT : Upon receipt of claim via MEDEA



INSTRUCTIONS FOR FUEL LINE AND RAIL REPLACEMENT

A: Preliminary:

The replacement fuel lines and rails are supplied as spare parts by the part numbers listed on the previous page.

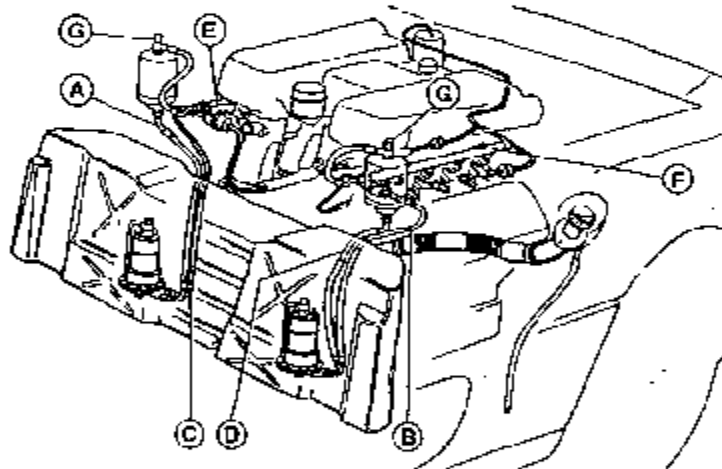
B: Procedure for installation

WARNING : NO SMOKING

HIGHLY FLAMMABLE MATERIAL. KEEP AWAY FROM SPARKS OR OPEN FLAMES. PROVIDE ADEQUATE VENTILATION. FUEL, WHEN SATURATED ON CLOTHING, WILL CAUSE SKIN IRRITATION. PROCEED ACCORDINGLY.

NOTE: BE SURE TO UTILIZE PROPER EQUIPMENT FOR SAFE TRANSFER OF FUEL FROM CAR TO APPROVED FUEL CONTAINER.

DO NOT PERFORM THIS PROCEDURE ON A WARM ENGINE.

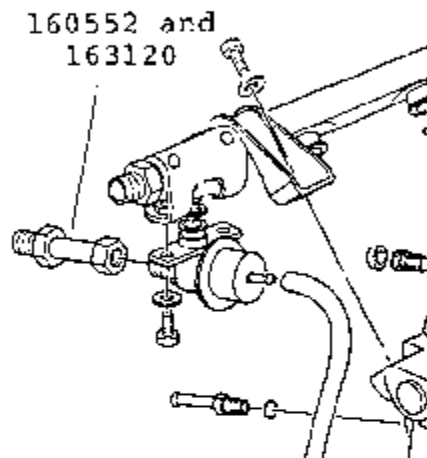


- 1) Disconnect battery (main switch).
- 2) Cover rear fenders with fender covers.
- 3) Remove fuel tank fill cap to release pressure from the fuel tank.
- 4) Lift vehicle using a suitable hoist and remove under panel
- 5) Remove the rear wheels
- 6) Remove LH and RH inner fender panels
- 7) Drain the fuel from the tank into an approved fuel container



8TV-132 (3)

- 8) Remove both air intake covers
- 9) Remove fuel injector rail "E"
- 10) Remove the fuel injectors from the rail noting their original positions
*Note : Do not remove the unions from the fuel pressure regulators
(Part numbers 160552 and 163120)*



- 11) Install the fuel injectors in their original positions onto the new fuel rail using the new o-rings
- 12) Refit the new fuel injector rail onto the engine
- 13) Repeat items 9 - 12 for the opposite side "F"

NOTE: PRIOR TO DISCONNECTING FUEL LINES, CARE MUST BE TAKEN TO CATCH FUEL WHEN THE LINES ARE REMOVED.

- 14) Disconnect the fuel delivery line "A" from the fuel filter
- 15) Disconnect the fuel return line "C" from the pressure regulator
- 16) Disconnect the fuel delivery line "A" from the fuel pump
- 17) Disconnect the fuel return line "C" from the fuel pump
- 18) Remove the fuel lines from the vehicle noting their routing positions
- 19) Install the new fuel delivery "A" and return "C" lines tightening to a torque of 25 Nm (18.44 lb. ft.)
- 20) Repeat items 14 - 19 for the opposite side "B" and "D"
- 21) Remove nut "G" from the top of both fuel filters



- 22) Install the new nut "G" replacing the copper washers with the new ones tightening to a torque of 25 Nm (18.44 lb. ft.)

NOTE: **FOR IDENTIFICATION PURPOSES, PLEASE PAINT THE TOP OF NUT "G" WITH RED PAINT**

- 23) Transfer the fuel back into the fuel tank replacing the fuel cap
- 24) Reconnect battery
- 25) Start the engine and check for fuel leaks at all unions and repair if necessary
- 26) Install the inner fender panels
- 27) Install the rear wheels tightening the wheel bolts to a torque of (72 lb. ft.)
- 28) Install the under panel

**Recall 156 Vehicle Listing
by Serial Number**

92V-103 (9)

Serial No.	Assembly No.	Model Description
98673	16958	F355 B USA MY95
98674	17037	F355 B USA MY95
99902	17016	F355 B USA MY95
99914	16983	F355 B USA MY95
99922	16993	F355 B USA MY95
99936	16994	F355 B USA MY95
99948	17017	F355 B USA MY95
99958	16999	F355 B USA MY95
99973	17018	F355 B USA MY95
99982	17042	F355 B USA MY95
100005	17019	F355 B USA MY95
100016	17020	F355 B USA MY95
100037	17040	F355 B USA MY95
100050	17054	F355 B USA MY95
100073	17057	F355 B USA MY95
100084	17070	F355 B USA MY95
100108	17122	F355 B USA MY95
100121	17086	F355 B USA MY95
100132	17092	F355 B USA MY95
100156	17112	F355 B USA MY95
100169	17125	F355 B USA MY95
100180	17118	F355 B USA MY95
100204	17129	F355 B USA MY95
100217	17142	F355 B USA MY95
100219	17147	F355 B USA MY95
100227	17151	F355 B USA MY95
100228	17153	F355 B USA MY95
100241	17169	F355 B USA MY95
100243	17173	F355 B USA MY95
100250	17175	F355 B USA MY95
100251	17196	F355 B USA MY95
100263	17200	F355 B USA MY95
100264	17204	F355 B USA MY95
100274	17228	F355 B USA MY95
100275	17231	F355 B USA MY95
100287	17236	F355 B USA MY95
100288	17243	F355 B USA MY95
100298	17244	F355 B USA MY95
100299	17248	F355 B USA MY95
100310	17249	F355 B USA MY95
100311	17279	F355 B USA MY95
100319	17460	F355 B CDN MY95
100321	17267	F355 B USA MY95
100322	17270	F355 B USA MY95
100329	17273	F355 B USA MY95
100330	17282	F355 B USA MY95
100339	17277	F355 B USA MY95

Recall 156 Vehicle Listing
by Serial Number

97V-100 (1)

Serial No.	Assembly No.	Model Description
100340	17291	F355 B USA MY95
100351	17307	F355 B USA MY95
100354	17301	F355 B USA MY95
100363	17305	F355 B USA MY95
100364	17310	F355 B USA MY95
100365	17314	F355 B USA MY95
100366	17535	F355 B CDN MY95
100376	17318	F355 B USA MY95
100377	17337	F355 B USA MY95
100385	17340	F355 B USA MY95
100386	17344	F355 B USA MY95
100387	17347	F355 B USA MY95
100397	17351	F355 B USA MY95
100398	17355	F355 B USA MY95
100410	17360	F355 B USA MY95
100411	17361	F355 B USA MY95
100420	17366	F355 B USA MY95
100421	17395	F355 B USA MY95
100422	17414	F355 B USA MY95
100423	17560	F355 B CDN MY95
100432	17458	F355 B USA MY95
100433	17465	F355 B USA MY95
100441	17467	F355 B USA MY95
100442	17469	F355 B USA MY95
100443	17477	F355 B USA MY95
100453	17482	F355 B USA MY95
100454	17484	F355 B USA MY95
100455	17629	F355 B CDN MY95
100465	17485	F355 B USA MY95
100466	17486	F355 B USA MY95
100478	17501	F355 B USA MY95
100479	17505	F355 B USA MY95
100488	17507	F355 B USA MY95
100489	17519	F355 B USA MY95
100497	17527	F355 B USA MY95
100498	17522	F355 B USA MY95
100508	17525	F355 B USA MY95
100509	17638	F355 B CDN MY95
100537	17654	F355 B CDN MY95
100538	17531	F355 B USA MY95
100539	17537	F355 B USA MY95
100550	17534	F355 B USA MY95
100551	17561	F355 B USA MY95
100563	17539	F355 B USA MY95
100564	17541	F355 B USA MY95
100575	17554	F355 B USA MY95
100576	17552	F355 B USA MY95

**Recall 156 Vehicle Listing
by Serial Number**

9TV-156 (12)

Serial No.	Assembly No.	Model Description
100584	17660	F355 B CDN MY95
100585	17556	F355 B USA MY95
100586	17558	F355 B USA MY95
100593	17562	F355 B USA MY95
100594	17564	F355 B USA MY95
100606	17730	F355 B CDN MY95
100607	17566	F355 B USA MY95
100608	17567	F355 B USA MY95
100616	17736	F355 B CDN MY95
100616	17570	F355 B USA MY95
100617	17594	F355 B USA MY95
100629	17809	F355 B CDN MY95
100630	17582	F355 B USA MY95
100631	17588	F355 B USA MY95
100639	17811	F355 B CDN MY95
100640	17597	F355 B USA MY95
100641	17620	F355 B USA MY95
100652	17816	F355 B CDN MY95
100653	17613	F355 B USA MY95
100654	17615	F355 B USA MY95
100664	17884	F355 B CDN MY95
100665	17618	F355 B USA MY95
100666	17628	F355 B USA MY95
100678	17630	F355 B USA MY95
100679	17634	F355 B USA MY95
100689	17636	F355 B USA MY95
100690	17658	F355 B USA MY95
100704	17683	F355 B USA MY95
100705	17666	F355 B USA MY95
100720	17669	F355 B USA MY95
100721	17678	F355 B USA MY95
100732	17701	F355 B USA MY95
100733	17705	F355 B USA MY95
100745	17707	F355 B USA MY95
100746	17710	F355 B USA MY95
100757	17713	F355 B USA MY95
100758	17728	F355 B USA MY95
100770	17726	F355 B USA MY95
100771	17732	F355 B USA MY95
100804	17734	F355 B USA MY95
100816	17740	F355 B USA MY95
100827	17742	F355 B USA MY95
100834	17757	F355 B USA MY95
100835	17911	F355 B CDN MY95
100844	17784	F355 B USA MY95
100856	17785	F355 B USA MY95
100868	17789	F355 B USA MY95

**Recall 156 Vehicle Listing
by Serial Number**

97V-100 (2)

Serial No.	Assembly No.	Model Description
100888	17808	F355 B USA MY95
100892	17814	F355 B USA MY95
100904	17858	F355 B USA MY95
100915	17837	F355 B USA MY95
100926	17818	F355 B USA MY95
100927	17839	F355 B CDN MY95
100937	17854	F355 B USA MY95
100948	17884	F355 B USA MY95
100960	17870	F355 B USA MY95
100961	17860	F355 B CDN MY95
100971	17919	F355 B USA MY95
100983	17921	F355 B USA MY95
100986	18286	F355 SP USA MY95
100994	17924	F355 B USA MY95
101006	17927	F355 B USA MY95
101017	17942	F355 B USA MY95
101029	17944	F355 B USA MY95
101030	17862	F355 B CDN MY95
101040	17963	F355 B USA MY95
101052	17949	F355 B USA MY95
101063	17968	F355 B USA MY95
101082	17972	F355 B USA MY95
101083	18009	F355 B CDN MY95
101092	17978	F355 B USA MY95
101093	18028	F355 B USA MY95
101104	17975	F355 B USA MY95
101116	17993	F355 B USA MY95
101117	18024	F355 B USA MY95
101128	18002	F355 B USA MY95
101129	18026	F355 B USA MY95
101141	18041	F355 B USA MY95
101143	18003	F355 SP USA MY95
101152	18044	F355 B USA MY95
101154	18231	F355 GTS USA MY95
101177	18047	F355 B USA MY95
101178	18050	F355 B USA MY95
101179	18055	F355 B USA MY95
101187	18071	F355 B CDN MY95
101189	18057	F355 B USA MY95
101190	18084	F355 B USA MY95
101191	18087	F355 B USA MY95
101192	18089	F355 B USA MY95
101201	18134	F355 B USA MY95
101202	18139	F355 B USA MY95
101216	18137	F355 B USA MY95
101217	18178	F355 B USA MY95
101220	18082	F355 B CDN MY95

Recall 156 Vehicle Listing
by Serial Number

07V-156

Serial No.	Assembly No.	Model Description
101246	18246	F355 GTS USA MY95
101272	18293	F355 GTS USA MY95
101273	18388	F355 SP USA MY95
101284	18281	F355 GTS USA MY95
101310	18305	F355 GTS USA MY95
101312	18426	F355 SP USA MY95
101336	18335	F355 GTS USA MY95
101351	18352	F355 GTS USA MY95
101363	18218	F355 B USA MY95
101419	18354	F355 B USA MY95
101443	18359	F355 B USA MY95
101445	18365	F355 GTS USA MY95
101469	18424	F355 B USA MY95
101471	18400	F355 GTS USA MY95
101483	18416	F355 B USA MY95
101491	18447	F355 B USA MY95
101494	18467	F355 GTS USA MY95
101503	18454	F355 B USA MY95
101517	18464	F355 B USA MY95
101518	18475	F355 GTS USA MY95
101529	18469	F355 B USA MY95
101536	18556	F355 B USA MY95
101542	18651	F355 B USA MY95
101543	18528	F355 GTS USA MY95
101561	18570	F355 SP USA MY95
101562	18625	F355 SP USA MY95
101574	18703	F355 SP USA MY95
101575	18505	F355 B USA MY95
101586	18707	F355 SP USA MY95
101598	18709	F355 SP USA MY95
101599	18596	F355 B USA MY95
101611	18750	F355 SP USA MY95
101624	18759	F355 SP USA MY95
101625	18558	F355 B USA MY95
101636	18628	F355 B USA MY95
101646	18762	F355 SP USA MY95
101658	18664	F355 B USA MY95
101670	18772	F355 SP USA MY95
101681	18692	F355 B USA MY95
101687	18535	F355 GTS USA MY95
101698	18540	F355 GTS USA MY95
101700	18704	F355 B USA MY95
101712	18587	F355 GTS USA MY95
101724	18599	F355 GTS USA MY95
101725	18697	F355 B USA MY95
101741	18632	F355 GTS USA MY95
101754	18656	F355 GTS USA MY95

Recall 156 Vehicle Listing
by Serial Number

97V-130 (19)

Serial No.	Assembly No.	Model Description
101763	18724	F355 B USA MY95
101767	18714	F355 GTS USA MY95
101802	18757	F355 B USA MY95
101841	18789	F355 B USA MY95
101869	18767	F355 SP USA MY95
101870	18791	F355 SP USA MY95
101871	18800	F355 SP USA MY95
101878	18793	F355 B USA MY95
101882	18838	F355 SP USA MY95
101918	18846	F355 B USA MY95
101949	18963	F355 B USA MY95
102066	18973	F355 B USA MY95
102074	19029	F355 B USA MY95
102088	18999	F355 B USA MY95
102125	19040	F355 B USA MY95
102126	19044	F355 B CDN MY95
102138	19069	F355 B USA MY95
102166	19092	F355 B CDN MY95
102205	19078	F355 B USA MY95
102218	19094	F355 B USA MY95
102244	19102	F355 B USA MY95
102271	19106	F355 B USA MY95
102285	19230	F355 B CDN MY95
102297	19137	F355 B USA MY95
102311	19258	F355 B CDN MY95
102323	19140	F355 B USA MY95
102362	19160	F355 B USA MY95
102401	19188	F355 B USA MY95
102424	19199	F355 B USA MY95
102437	19205	F355 B USA MY95
102450	19249	F355 B USA MY95
102456	19252	F355 B USA MY95
102457	19278	F355 B USA MY95
102458	19291	F355 B USA MY95

Ferrari

Ferrari North America, Inc.

September 1997

91V-100 (15)

Dear Ferrari Customer:

This notice is sent to you in accordance with the requirements of the National Traffic and Motor Vehicle Safety Act.

Ferrari S.p.A., the manufacturer of Ferrari automobiles, has determined that a defect may exist in certain 1995 model year F355 Ferrari vehicles fitted with dual fuel pumps.



On vehicles with the vehicle identification numbers between 98673 and 102458 the fuel injection lines may fracture if the aluminum nut attaching the lines is tightened in excess of the required specifications. The potential for hairline cracks on the fuel injection rails also exists. Should such a condition occur, the result would be leakage of fuel from the fractured line. As with any type of fuel system leakage, the possibility of a vehicle engine fire may exist.

Since your car is among those potentially affected by the above condition, we kindly ask you to contact any Ferrari Authorized Dealer immediately in order to arrange an inspection of your automobile, and if necessary, the Dealer will perform the required modification.

The corrective action for the above listed repair will be performed free of charge to you and will require approximately 5.6 hours to complete. Please plan, however, to leave your vehicle with the dealer all day to allow the dealer some flexibility for scheduling your repairs.

By the time you receive this letter, the Authorized Ferrari Dealer will have been supplied with the instructions and parts to perform the repair. If the Dealer fails or is unable to make the necessary repairs free of charge within a reasonable time, you should inform the National Headquarters Office of Ferrari North America, Inc.

250 Sylvan Avenue
Englewood Cliffs, NJ 07632
(201) 816-2651 (National Technical Office)

Although we urge you to immediately call the number indicated above, if the vehicle is not repaired free of charge to you or within a reasonable time, you may also contact the Administrator of the National Traffic Safety Administration in Washington, D.C. 10590 or call the Auto Safety Hot line at 800-424-9393 nationally and (202) 366-0123 for Washington, D.C. area residents.

We urge you to comply with this notice promptly and we apologize for any inconvenience this may cause you.

Best Regards,

William S. Story -cc

William S. Story
Directory of Technical Services