

N074NAS1



TECHNICAL BULLETIN

31 AUG 2017

© Jaguar Land Rover North America, LLC

NOTE: The information in Technical Bulletins is intended for use by trained, professional Technicians with the knowledge, tools, and equipment required to do the job properly and safely. It informs these Technicians of conditions that may occur on some vehicles, or provides information that could assist in proper vehicle service. The procedures should not be performed by 'do-it-yourselfers'. If you are not a Retailer, do not assume that a condition described affects your vehicle. Contact an authorized Land Rover service facility to determine whether this bulletin applies to a specific vehicle.

INFORMATION

SECTION:

303-04C: Fuel Charging and Controls

SUBJECT/CONCERN:

SAFETY RECALL: Incorrect Installation of High Pressure (HP) Fuel Pump

AFFECTED VEHICLE RANGE:

MODEL:	MODEL YEAR:	VIN:	ASSEMBLY PLANT:	APPLICABILITY:
Range Rover (LG)	2017	354687	Solihull	V6 S/C 3.0L Petrol

MARKETS:

NORTH AMERICA

CONDITION SUMMARY:

SITUATION:

An issue has been identified on the one (1) vehicle listed within the Affected Vehicle Range. One or both of the bolts used to attach the high pressure fuel pumps may be too long and not secure the high pressure fuel pump as required. During normal vehicle usage, vibration of the high pressure fuel pump can lead to a fracture of a brazed joint on the low pressure fuel input pipe. This can lead to a liquid fuel leak into the engine compartment.

Fuel odor may be noticed by the driver and they may also observe liquid fuel underneath the vehicle. Should leaking fuel come into contact with a sufficiently hot surface, there is an increased risk of fire.

ACTION:

Retailers are required to **HOLD** affected new vehicles that are within your control and refrain from releasing the vehicles for **new vehicle sale** pending completion of the Workshop Procedure detailed in this Technical Bulletin. Unsold vehicles should have this performed as part of the Pre-Delivery Inspection (PDI) process but **must** have it completed prior to vehicle handover to the customer.

Affected vehicles already in the hands of customers should be updated at the next available opportunity.

PARTS:

NOTE:

Order only the expected percentage demand of parts identified.

DESCRIPTION	PART NO./SUNDRY CODE	QTY./VALUE	EXPECTED % OF VEHICLES REQUIRING PARTS
-------------	----------------------	------------	--

High Pressure (HP) Fuel Pump	LR081595	2	100%
Acoustic Cover - Fuel Pump	LR082340	2	100%
HP Fuel Pipe	LR065487	1	100%
Low Pressure (LP) Fuel Pipe	LR068997	1	100%
Fuel Crossover Pipe	LR088579	1	100%
Fuel Pump Fixing	LR011270	4	100%
*Coolant and oil top up	*ZZZ001	\$31.25	100%

* - an allowance (\$31.25 USD [or local equivalent]) has been provided to cover the cost of the coolant and oil. Claim using Sundry Code 'ZZZ001'.

SPECIAL TOOLS:

Refer to TOPIx Workshop Manual/Workshop Procedure for any required special tools.

WARRANTY:

NOTE:

Check DDW to ensure that a vehicle is affected by this program prior to undertaking any rework action.

At the time of confirming a booking for vehicle repair, ensure that **all** outstanding Recall and Service Actions are identified to ensure the correct parts are available and adequate workshop time is allocated for repairs to be completed at one visit.

Warranty claims must be submitted quoting the Program Code together with the relevant Option Code. The SRO and parts information is included for information only. The Option Code(s) that allows for the drive in/drive out allowance can only be claimed if the vehicle is brought back into the workshop for this action alone to be undertaken.

Repair procedures are under constant review and therefore times / prices are subject to change; those quoted here must be taken as guidance only. Refer to TOPIx to obtain the latest repair time.

Warranty claims must be submitted or payment within 30 calendar days of completion of the repair.

PROGRAM CODE	OPTION CODE	DESCRIPTION	SRO	TIME (HOURS)	PARTS/SUNDRY CODE	QTY./VALUE
N074	B	Fuel Pump - Vehicle Set - Fuel Pump and Fuel Rail Supply Pipes - Renew	19.45.89.29	4.1	LR081595 LR082340 LR065487 LR068997 LR088579 LR011270 *ZZZ001	2 2 1 1 1 4 *\$31.25
N074	C	Fuel Pump - Vehicle Set - Fuel Pump and Fuel Rail Supply Pipes - Renew	19.45.89.29	4.1	LR081595 LR082340 LR065487 LR068997 LR088579 LR011270 *ZZZ001	2 2 1 1 1 4 *\$31.25
		Drive in/drive out	02.02.02	0.2		

Normal Warranty policies and procedures apply.

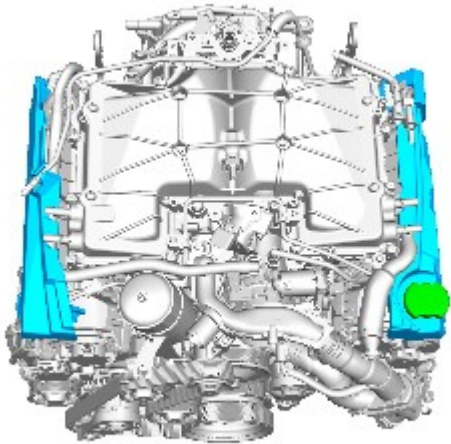
* - an allowance (\$31.25 USD [or local equivalent]) has been provided to cover the cost of the coolant and oil. Claim using Sundry Code 'ZZZ001'.

WORKSHOP PROCEDURE:

-
- 1 Open the hood.
-
- 2 Remove the engine cover (see TOPIx Workshop Manual section 501-05: Interior Trim and Ornamentation - Engine Cover).
-
- 3 Release the pressure from the fuel system (see TOPIx Workshop Manual section 310-00: Fuel System - General Information Fuel System Pressure Release).

4 Disconnect the startup battery (see TOPIx Workshop Manual section 414-01: Battery, Mounting and Cables - Battery Disconnect and Connect).

5 



E177204

Remove the Noise, Vibration and Harshness (NVH) material from the engine.

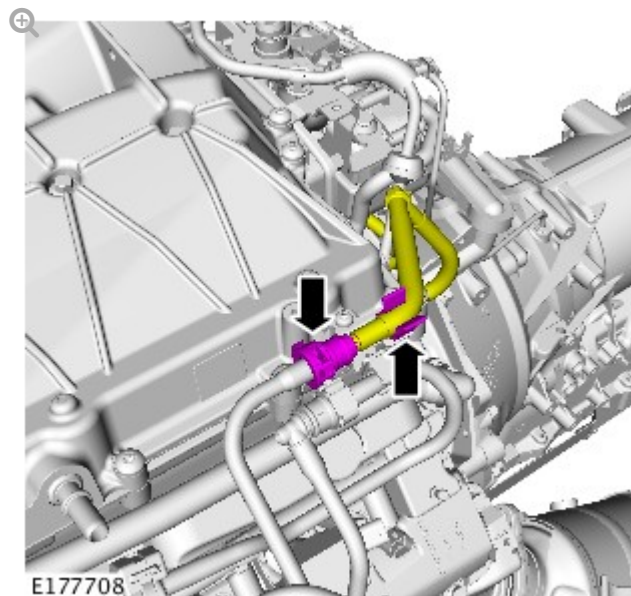
6

WARNING:

Be prepared to collect escaping fuel.

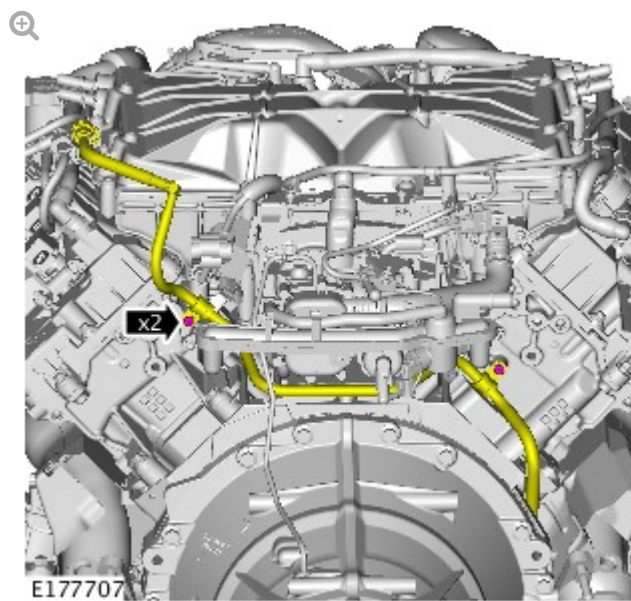
CAUTION:

Before disconnecting any components, make sure the area is clean and free from foreign material. When disconnected, all openings must be sealed.



Disconnect the fuel pump supply pipe connector.

7

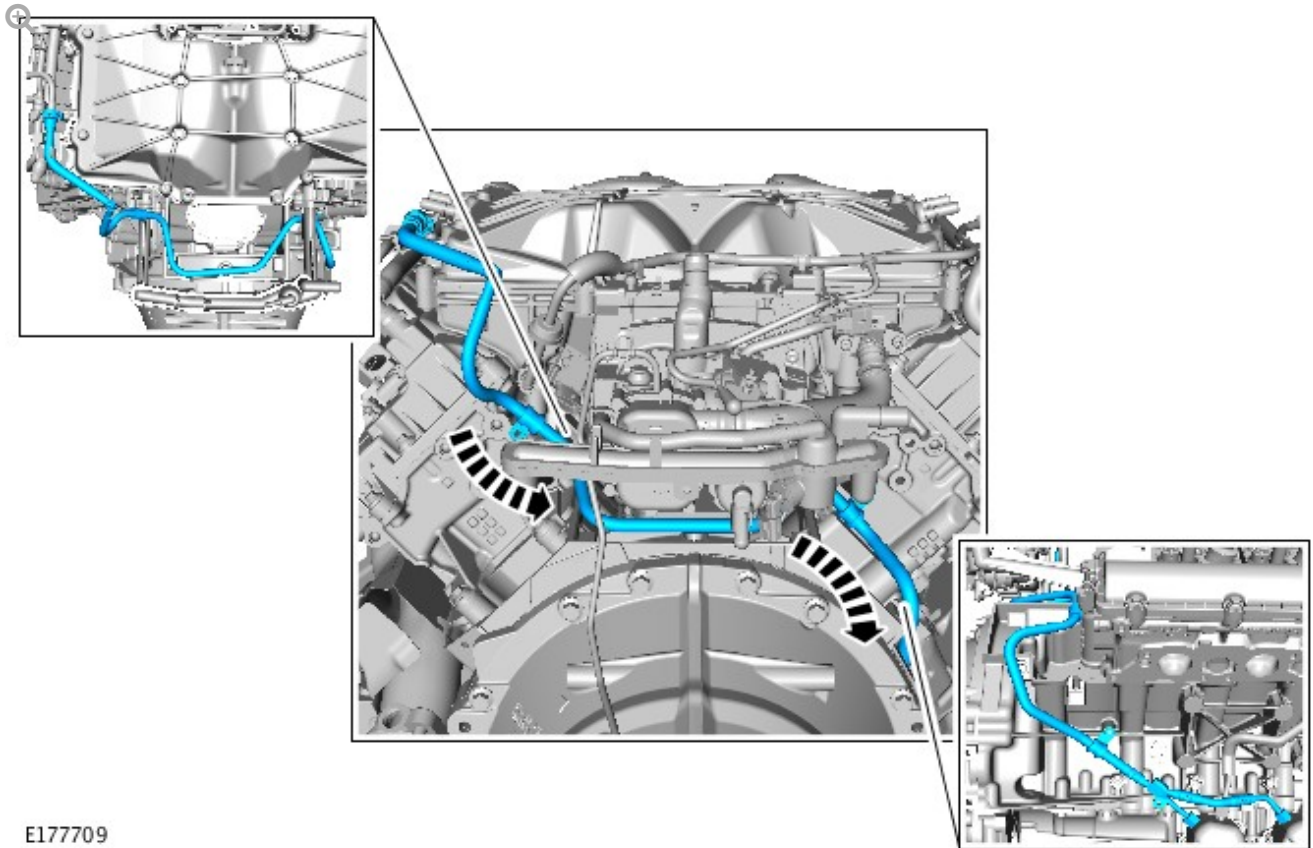


Remove the fuel pump supply pipe bolts.

8

NOTE:

The fuel pump supply line will remain connected to the High Pressure (HP) fuel pumps at this step.



E177709

Release the fuel pump supply pipe from the top of the engine.

9 Raise the vehicle on a ramp (see TOPIx Workshop Manual section 100-02: Jacking and Lifting).

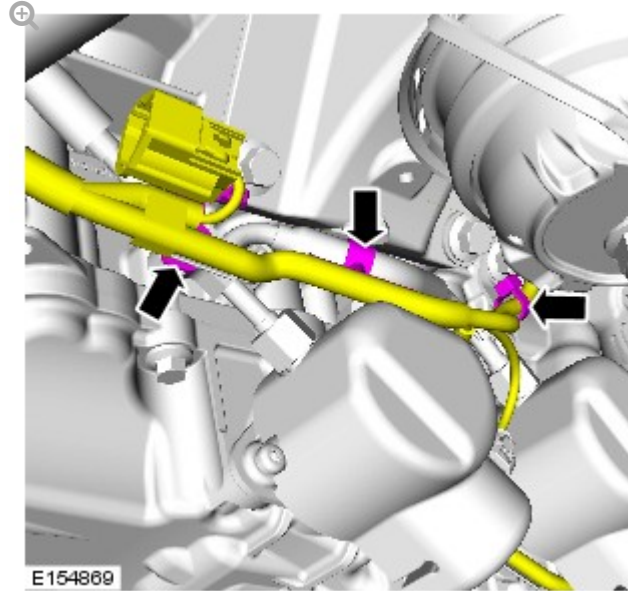
10 **NOTE:**

Do not dispose of the exhaust clamp as this must be reused.

Remove the right catalytic converter (see TOPIx Workshop Manual section 309-00: Exhaust System - Right Catalytic Converter).

11 Remove the starter motor (see TOPIx Workshop Manual section 303-06: Starting system - Starter Motor).

12



Position the wiring harness to one side.

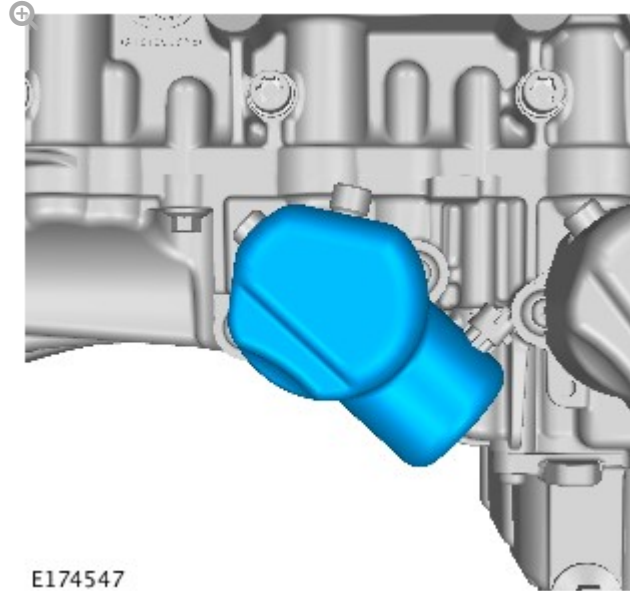
13

NOTES:

- Replace both the fuel pump and fuel rail supply pipes.
- Complete the removal steps.
- Discard the HP fuel pump bolts.

Remove the HP fuel pump 1 (see TOPIx Workshop Manual section 303-04: Fuel Charging and Controls - High Pressure Fuel Pump 1).

14



Remove the cover from the HP fuel pump 2.

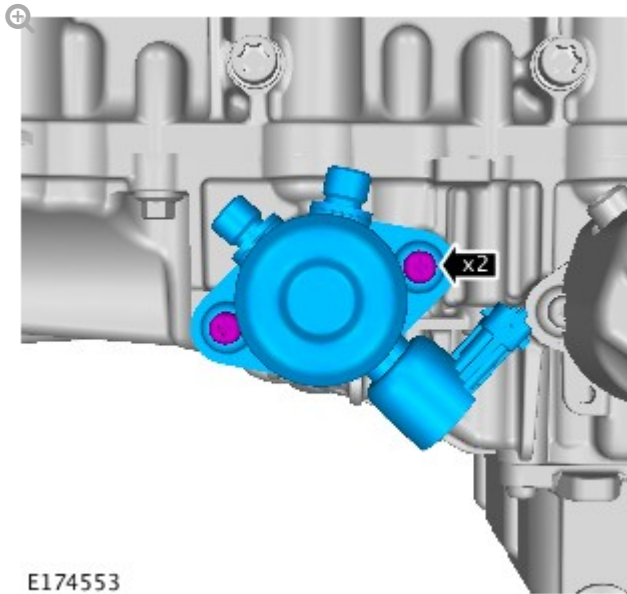
15

CAUTION:

Be prepared to collect escaping oil.

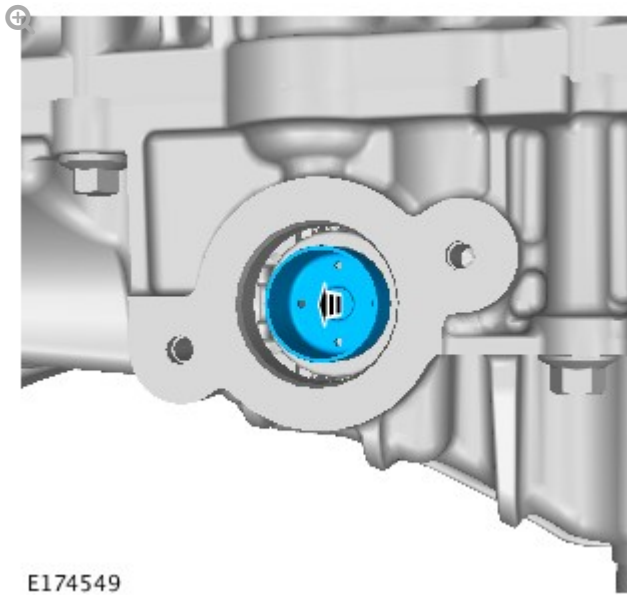
NOTES:

- Loosen the bolts a turn each at a time.
- Discard the HP fuel pump bolts.



Remove the HP fuel pump 2.

16

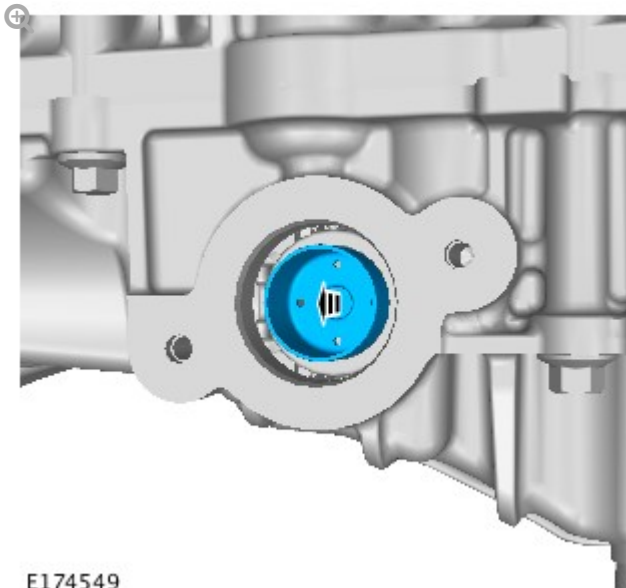


Remove the HP fuel pump 2 fuel pump bucket.

17

NOTE:

Lubricate the HP fuel pump bucket with clean engine oil.



E174549

Install the HP fuel pump 2 fuel pump bucket.

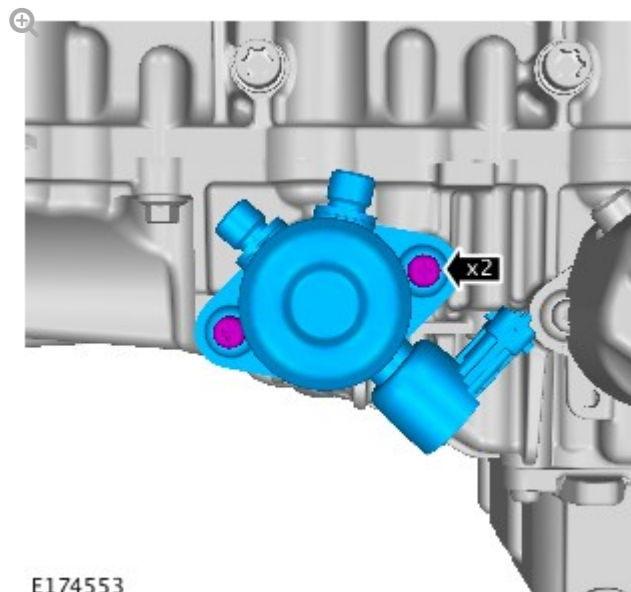
18

CAUTION:

Tighten the fixings a turn at a time until the correct torque is achieved.

NOTES:

- Lubricate the HP fuel pump O-ring seal with clean engine oil.
- Install the HP fuel pump using the new bolts.

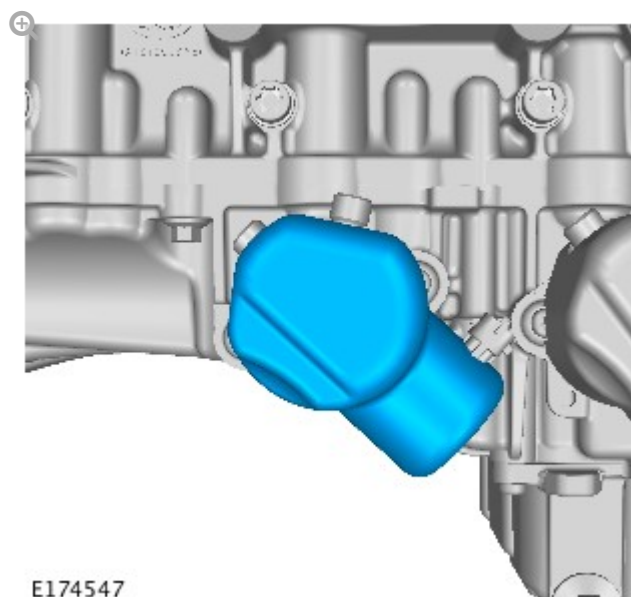


E174553

Install the HP fuel pump 2.

- Torque: **11 Nm** .

19



E174547

Install the cover to the HP fuel pump 2.

20

NOTES:

- Complete the installation steps.

- Install the HP fuel pump using the new bolts.

Install the HP fuel pump 1 (see TOPIx Workshop Manual section 303-04: Fuel Charging and Controls - High Pressure Fuel Pump 1).

-
- 21 Install the starter motor (see TOPIx Workshop Manual section 303-06: Starting system - Starter Motor).

22

NOTE:

The exhaust clamp must be reused.

Install the right catalytic converter (see TOPIx Workshop Manual section 309-00: Exhaust System - Right Catalytic Converter).

-
- 23 Reverse steps 1-8.

-
- 24 Release the vehicle.