

# Service Update

## 16195 Brake Lamps Remain Activated



Reference Number: N162068110

Release Date: January 2017  
Revision: 00

**Attention:** This service update includes vehicles in dealer inventory and customer vehicles that return to the dealership for any reason. This bulletin will expire at the end of the involved vehicle's New Vehicle Limited Warranty period.

Make	Model	Model Year		RPO	Description
		From	To		
Cadillac	XT5	2017	2017		
GMC	Acadia	2017	2017		

Involved vehicles are marked "open" on the Investigate Vehicle History screen in GM Global Warranty Management system. This site should always be checked to confirm vehicle involvement prior to beginning any required inspections and/or repairs.

<b>Condition</b>	Certain 2016 model year Cadillac XT5 and GMC Acadia vehicles may have a brake pedal position sensor (BPPS) flag bracket which allows too much rotation, causing the BPPS sensor to indicate the brake pedal is applied. This could cause the brake lamps to stay on, which could impair the brake lamps ability to indicate the intention of the driver to stop or slow the vehicle, and/or could drain the battery. In addition, this condition may cause the cruise control to be inoperative.
<b>Correction</b>	Inspect and, if necessary, replace the pedal assembly.

### Parts

Quantity	Part Name	Part No.
1	Brake and Accelerator Pedal Bracket	22995263

There is a small percentage of vehicles anticipated that will need this fix. **Due to limited initial parts availability, dealers are encouraged not to order recall parts for use as shelf stock.**

**Reminder:** Parts may be removed from Retail Inventory Management (RIM) management. Dealers should review the affected parts to confirm RIM managed status. Parts may have quantity limiters in effect.

### Warranty Information

Labor Operation	Description	Labor Time	Trans. Type	Net Item
9102864	Inspect Only – No Further Action Required	0.2	ZFAT	N/A
9102865	Brake and Accelerator Pedal Assembly Replacement (includes inspection)	1.2	ZFAT	N/A

### Service Procedure

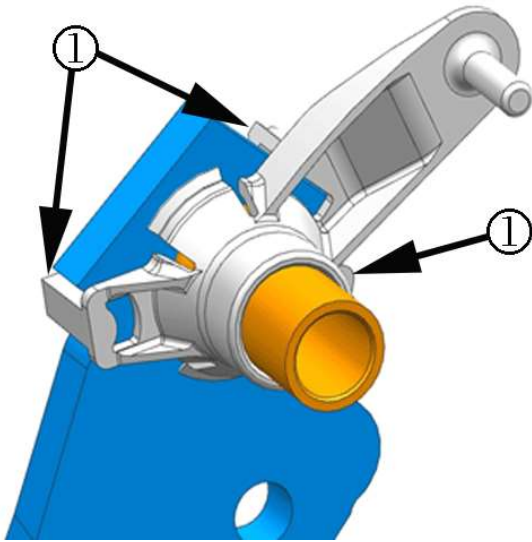


4671098

1. Gain access to the brake pedal position sensor (BPPS) switch activation bracket (1).

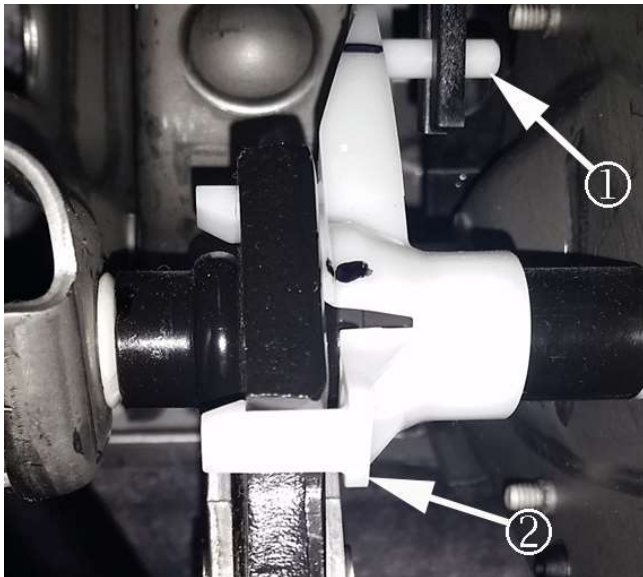
## Service Update

### 16195 Brake Lamps Remain Activated



4671106

2. Ensure all three BPPS switch activation bracket plastic tabs (1) are secured over the pedal arm.
  - If all three BPPS switch activation bracket plastic tabs are secured over the pedal arm, proceed to the next step.
  - If any of the BPPS switch activation bracket plastic tabs are NOT secured over the pedal arm, secure the BPPS switch activation bracket tabs over the pedal arm and proceed to the next step.



4671176

3. Rotate the BPPS switch activation bracket activation pin (1) back and forth by lightly applying force with fingers and inspect for any movement at the lower tab (2).
  - If there is NOT movement at the lower tab, no further action is required.
  - If there is movement at the lower tab, replace brake and accelerator pedal bracket. Refer to *Brake and Accelerator Pedal Assembly Replacement* in SI.

# Service Update

## 16195 Brake Lamps Remain Activated



### Dealer Responsibility

Whenever a vehicle subject to this service update enters your vehicle inventory, or is in your facility for service in the future, and the vehicle is still covered under the New Vehicle Limited Warranty, you must take the steps necessary to be sure the service update correction has been made before selling or releasing the vehicle.

All new, used, GM Certified Used, courtesy transportation vehicles, dealer shuttle vehicles, etc. in dealers' possession and subject to this bulletin must be held and inspected/repaired per the service procedure of this bulletin before customers take possession of these vehicles. Involved vehicles must be held and not delivered to customers, dealer-traded, released to auction, used for demonstration, or any other purpose.

All GM Certified Used vehicles currently in the dealers' inventory within the Certified Pre-Owned Inventory System (CPOIS) will be de-certified and must be held and remedied per the service procedure in this bulletin. Upon submitting an accepted/paid warranty transaction in the Global Warranty Management (GWM) system, the vehicle can be re-certified for sale within the CPOIS system, or once again be used in the CTP program.



GLOBAL SAFETY FIELD INVESTIGATIONS  
DCS4317  
URGENT - DISTRIBUTE IMMEDIATELY

Date: January 20, 2016

Subject: 16195 - Service Update  
Brake Lamp Remain Activated

Models: 2017 Cadillac XT5  
2017 GMC Acadia

To: All General Motors Dealers

General Motors is releasing Service Update 16195 today. The total number of U.S. vehicles involved is approximately 69,600. Please see the attached bulletin for details.

**Global Warranty Management (GWM)**

The Investigate Vehicle History (IVH) screen in the GWM system will be updated January 21, 2016. A list of involved vehicles in dealer new inventory is attached to this message. Please hold all warranty transactions until the VIN appears in IVH.

END OF MESSAGE  
GLOBAL SAFETY FIELD INVESTIGATIONS