



To All Lamborghini Dealers and Licensed Service Point.
From Customer Service Department.
Subject Headlight Adjuster Accessibility Enhancement.
Group 9.81.00
Date 14/12/2012
Pages 10

Subject

Headlight adjuster accessibility enhancement.

Model

Lamborghini Aventador US version LP-700 My 2012 from Vin CLA00091 to CLA00793

Warning: some vehicles included in this VIN range may not be affected, so check carefully on the Lamborghini WEB Portal (at the section named VIN Info) if the cars in your workshop or in your eventual stock are effectively affected before performing any other operation.

Information to the field

As a continuous product monitoring, Automobili Lamborghini Spa has found that on some US vehicles the accessibility to the headlight beam adjuster may result in difficulty.

Field solution

Update headlights.

Spare Parts

P/N	Description	Q
0R8340027	Headlight bracket kit:	1
	Cable tie	2
	Right brackets	1
	Left brackets	1
	M4X12 screws	6

The information and procedures published below are strictly confidential and intended exclusively for authorized operators and individuals. All copyrights are the property of Automobili Lamborghini S.p.A based on copyright law. The company reserves the right to make updates and modifications. The reprinting, reproduction, forwarding to unauthorized people and/or to third parties and partial or entire translation thereof are prohibited without written authorization from Automobili Lamborghini S.p.A.




Warranty Claim data

The warranty reimbursement request for this rework action will be managed by the following standard Warranty Claim procedures.

Campaign Code: L834-R.01.12
Campaign Description: Headlight adjuster accessibility enhancement
Cost Code: 60
Component Code: CCR0112
Trouble Code: 220
Labour Code: CCR0112100
Labour Time: 2 h



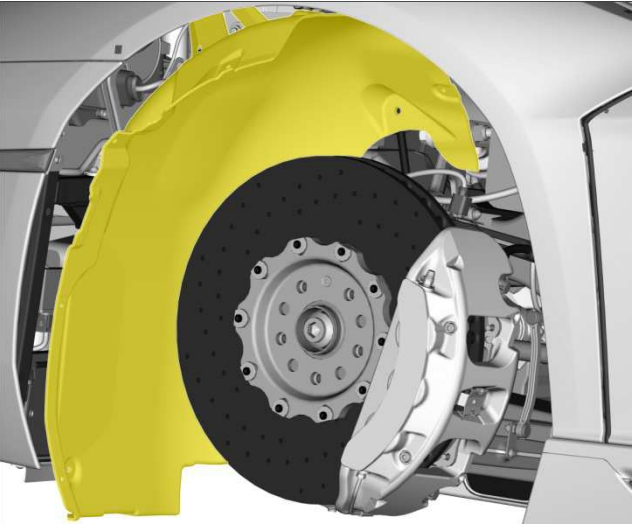
Fill out the Service and Recall Campaign section in the warranty booklet, which is shown in the figure below.

Automobili Lamborghini S.p.A.			
Campagne service assistenza e campagne di richiamo / Service- und Rückrufaktion / Service and Recall Campaign			
Service et campagne de rappel / Campaña de Servicio y Llamada a Taller			
Service/Service Service/Service Servicio	<input type="checkbox"/>	Richiamo/Rückruf Recall/Rappel Llamada a Taller	<input type="checkbox"/>
Numero/Nummer Number/Numéro Número	<input type="text"/>		
Data/Datum/Date/Date/Fecha	<input type="text"/>		
Data riparazione/Reparaturdatum Repair Data/Date de réparation Fecha reparación	<input type="text"/>		
Eseguito dal Concessionario / Ausgeführt von der Vertragswerkstatt / Done by the Dealer Efectuado por le concessionnaire / Efectuado por el Concesionario			
Firma / Unterschrift / Signature / Signature / Firma			
<hr/>			
Service/Service Service/Service Servicio	<input type="checkbox"/>	Richiamo/Rückruf Recall/Rappel Llamada a Taller	<input type="checkbox"/>
Numero/Nummer Number/Numéro Número	<input type="text"/>		
Data/Datum/Date/Date/Fecha	<input type="text"/>		
Data riparazione/Reparaturdatum Repair Data/Date de réparation Fecha reparación	<input type="text"/>		
Eseguito dal Concessionario / Ausgeführt von der Vertragswerkstatt / Done by the Dealer Efectuado por le concessionnaire / Efectuado por el Concesionario			
Firma / Unterschrift / Signature / Signature / Firma			
<hr/>			

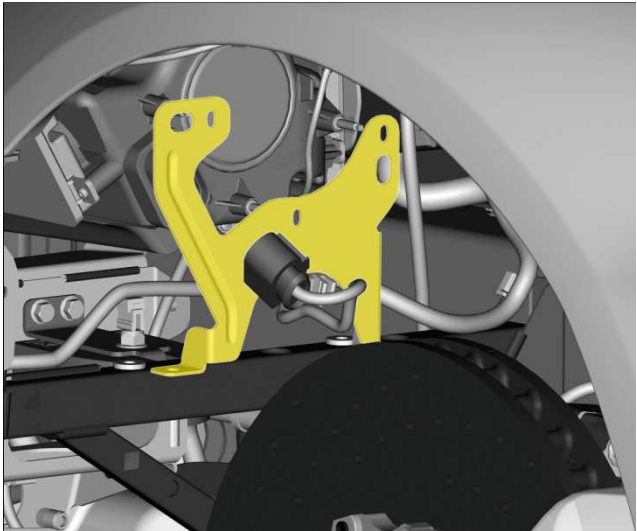
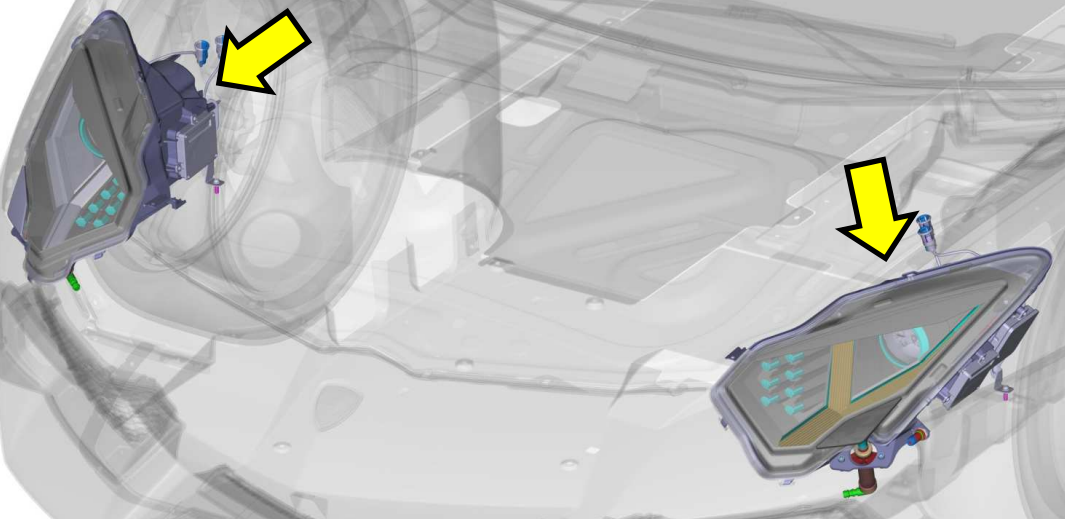

The information and procedures published below are strictly confidential and intended exclusively for authorized operators and individuals. All copyrights are the property of Automobili Lamborghini S.p.A based on copyright law. The company reserves the right to make updates and modifications. The reprinting, reproduction, forwarding to unauthorized people and/or to third parties and partial or entire translation thereof are prohibited without written authorization from Automobili Lamborghini S.p.A.




Insrtructioppn

1	 WARNING! Wait until the braking system is completely cool down.
2	Place car properly on a suitable lift before jacking in order to work safe from risks.
3	Disassemble both front wheels (060103). 
4	Disassemble wheel house panels (081003). 

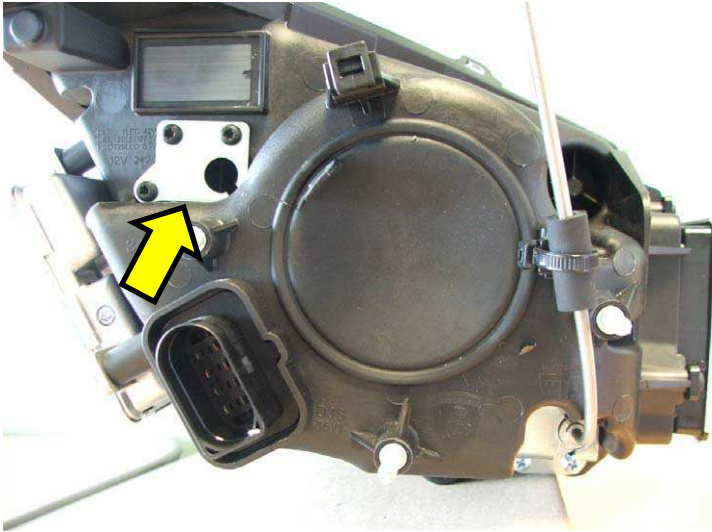
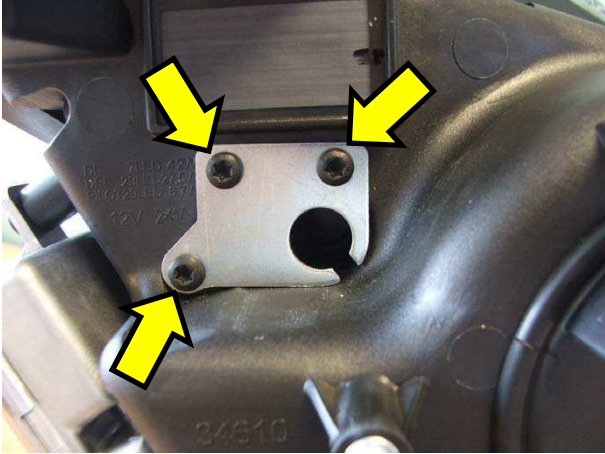
The information and procedures published below are strictly confidential and intended exclusively for authorized operators and individuals. All copyrights are the property of Automobili Lamborghini S.p.A based on copyright law. The company reserves the right to make updates and modifications. The reprinting, reproduction, forwarding to unauthorized people and/or to third parties and partial or entire translation thereof are prohibited without written authorization from Automobili Lamborghini S.p.A.

5	Disassemble on both side headlight brackets (094103).	
6	Locate the working area.	
7	STEP 1: horizontal adjustment tie rod disassembly.	





The information and procedures published below are strictly confidential and intended exclusively for authorized operators and individuals. All copyrights are the property of Automobili Lamborghini S.p.A based on copyright law. The company reserves the right to make updates and modifications. The reprinting, reproduction, forwarding to unauthorized people and/or to third parties and partial or entire translation thereof are prohibited without written authorization from Automobili Lamborghini S.p.A.

<p>8</p>	<p>Remove the three screws that secure horizontal adjuster plate.</p>	
<p>9</p>	<p>Remove cable tie.</p> <p> Cable tie clip can be left on headlight.</p>	
<p>10</p>	<p>STEP2: exchange position of two adjusting inhibitors, horizontal and vertical beam.</p> <p style="text-align: center;">Horizontal</p> <p style="text-align: center;">Vertical</p>	

The information and procedures published below are strictly confidential and intended exclusively for authorized operators and individuals. All copyrights are the property of Automobili Lamborghini S.p.A based on copyright law. The company reserves the right to make updates and modifications. The reprinting, reproduction, forwarding to unauthorized people and/or to third parties and partial or entire translation thereof are prohibited without written authorization from Automobili Lamborghini S.p.A.


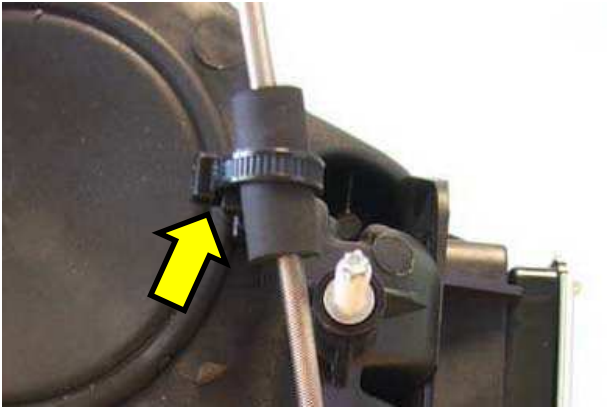
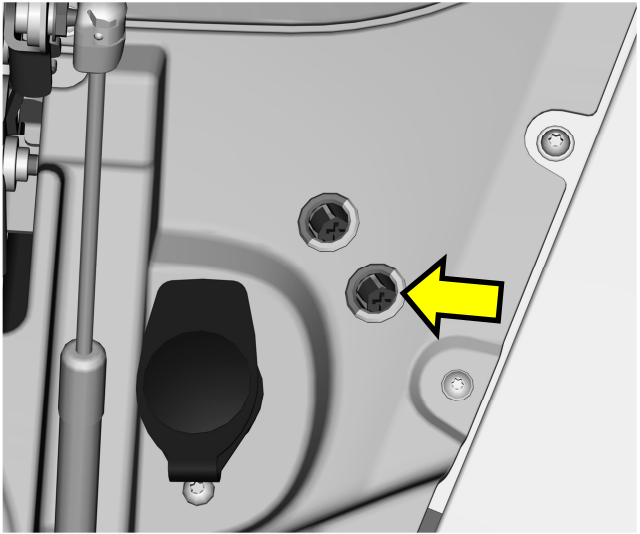
12	<p>STEP 3: plate Fitting in location of horizontal beam adjustment.</p> 
13	<p>Fix plate (reutilized) by the three screws formerly removed.</p> 

The information and procedures published below are strictly confidential and intended exclusively for authorized operators and individuals. All copyrights are the property of Automobili Lamborghini S.p.A based on copyright law. The company reserves the right to make updates and modifications. The reprinting, reproduction, forwarding to unauthorized people and/or to third parties and partial or entire translation thereof are prohibited without written authorization from Automobili Lamborghini S.p.A.

14	<p>STEP 4: Tie rod fitting in location of vertical beam adjustment.</p> 
15	<p>Fit tie rod with new plate (right side 470999640B, left 470999640A) fix them with the 3 screws contained in the kit (470998182).</p> 
16	<p> Make adjustment tie rod pass through bracket and head-light.</p> 

The information and procedures published below are strictly confidential and intended exclusively for authorized operators and individuals. All copyrights are the property of Automobili Lamborghini S.p.A based on copyright law. The company reserves the right to make updates and modifications. The reprinting, reproduction, forwarding to unauthorized people and/or to third parties and partial or entire translation thereof are prohibited without written authorization from Automobili Lamborghini S.p.A.



17	Fit cable tie (470998225).	
18	Fasten tie rod with cable tie.	
19	Check that adjuster screws are aligned with adjustment hole in trunk.	
20	Perform operation on both vehicle sides.	
21	Fit headlight brackets (094105)	
22	Fit wheel house panels (081005).	

The information and procedures published below are strictly confidential and intended exclusively for authorized operators and individuals. All copyrights are the property of Automobili Lamborghini S.p.A based on copyright law. The company reserves the right to make updates and modifications. The reprinting, reproduction, forwarding to unauthorized people and/or to third parties and partial or entire translation thereof are prohibited without written authorization from Automobili Lamborghini S.p.A.



23	Fit front wheels (060105) .
24	Lower vehicle from lift (000000)

Your Area Manager is at you full disposal for further information.

Best regards

After Sales Department

The information and procedures published below are strictly confidential and intended exclusively for authorized operators and individuals. All copyrights are the property of Automobili Lamborghini S.p.A based on copyright law. The company reserves the right to make updates and modifications. The reprinting, reproduction, forwarding to unauthorized people and/or to third parties and partial or entire translation thereof are prohibited without written authorization from Automobili Lamborghini S.p.A.