

November 3, 2017

07667 Version 2

Safety Recall: Right-Side (Passenger) Driveshaft

Supersedes 17-091, dated November 3, 2017 to revise the information highlighted in yellow

AFFECTED VEHICLES

Year	Model	Trim	VIN Range
2017	Civic	1.5 L CVT	Check the iN VIN status for eligibility

REVISION SUMMARY

Revised the serial number range under INSPECTION.

BACKGROUND

The right (passenger) front driveshaft may fracture due to improper heat treatment. This may cause loss of engine power when accelerating and may also cause the vehicle to roll away in Park if the electric parking brake is not applied; increasing the risk of a crash/accident.

CUSTOMER NOTIFICATION

Owners of affected vehicles will be sent a notification of this campaign.

Do an iN VIN status inquiry to make sure the vehicle is shown as eligible.

Some vehicles affected by this campaign may be in your new or used vehicle inventory. These vehicles must be repaired before they are sold.

Failure to repair a vehicle subject to a recall or campaign may subject your dealership to claims or lawsuits from the customer or anyone else harmed as a result of such failure. To see if a vehicle in inventory is affected by this safety recall, do a VIN status inquiry before selling it.

CORRECTIVE ACTION

Inspect the right-side driveshaft, and depending on the serial number, do one of the following:

- Replace the right-side driveshaft.
- The driveshaft is OK. Submit a claim for the inspection.

REQUIRED MATERIALS

Part Name	Part Number	Quantity
Moly 77 Paste (one tube repairs 50 vehicles)	08798-9010	1

PARTS INFORMATION

NOTE: Only order parts AFTER you have inspected the vehicle.

Part Name	Part Number	Quantity
Right-Side Driveshaft Assembly	44305-TBC-A51	1
Set Ring (28 x 2.0 mm)	44319-S84-300	1
Spindle Nut (24 mm)	90305-SD4-003	1
Self-Locking Nut	90215-SB0-003	3

CUSTOMER INFORMATION: The information in this bulletin is intended for use only by skilled technicians who have the proper tools, equipment, and training to correctly and safely maintain your vehicle. These procedures should not be attempted by "do-it-yourselfers," and you should not assume this bulletin applies to your vehicle, or that your vehicle has the condition described. To determine whether this information applies, contact an authorized Honda automobile dealer.

WARRANTY CLAIM INFORMATION

NOTE:

- **Every replaced driveshaft will be called in 21 days after the claim submission, hold on to the part until you receive a request. That may go beyond the 30 days retention policy.**
- You must store all warranty parts in accordance with the retention guidelines in Section 8 of the Service Operations Manual. **DO NOT** ship any warranty parts until you receive a call-in request for them.
- Fill out a Warranty Parts ID Tag, and attach it to the part.
- You will receive an iN-generated recycling call-in request **21 days after claim payment**. For more information, see PIB A08-005.
- Make sure that you enter the serial number in the DTC fields of the warranty entry screen. The 12-digit number will require using three DTC fields. **Failure to enter the serial number may result in your claim being debited.**
- **If you can not read the label or it is missing, enter No Label in the DTC fields.**

Operation Number	Description	Flat Rate Time	Defect Code	Symptom Code	Template ID	Failed Part Number
2195B0	Inspect right-side driveshaft. No replacement needed.	0.3 hr	6DS00	K0E00	A17091A	44305-TBC-A51
2191BP	Inspect right-side driveshaft and replace it. (includes wheel alignment)	0.9 hr	6DS00	K0E00	A17091B	44305-TBC-A51

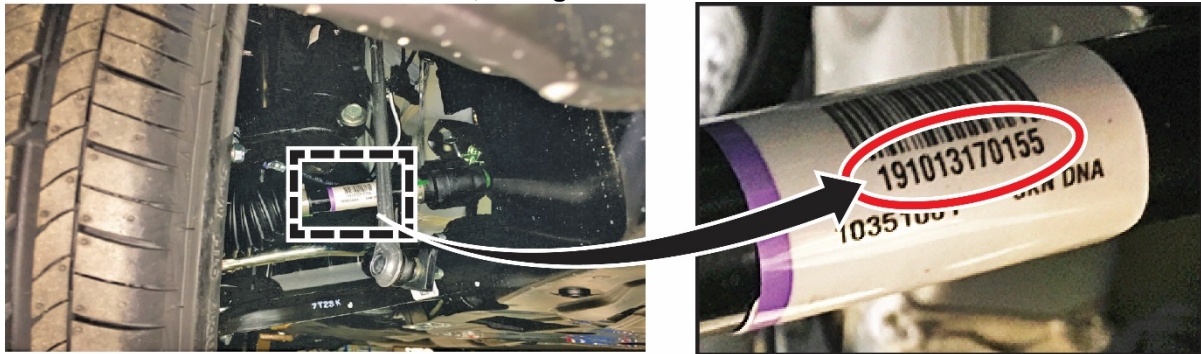
Skill Level: Repair Technician

INSPECTION

1. Raise the vehicle on a lift.
2. Locate the right (passenger) side driveshaft label and write down the 12 numbers below the BAR code.

NOTE:

- You will need the serial number to determine if the driveshaft needs to be replaced, and the warranty clerk will need the serial number to file a claim.
- If you can not read the label or if the label is missing, take a photo of the label or where the label would be and attach it to the RO, then go to the REPAIR PROCEDURE.



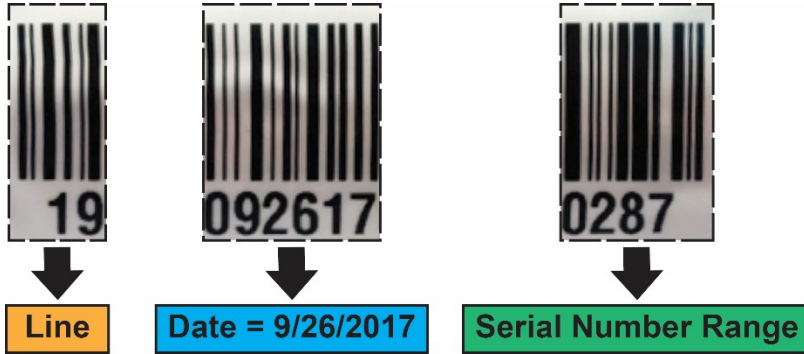
3. Using a permanent marker, divide the serial number as shown below.



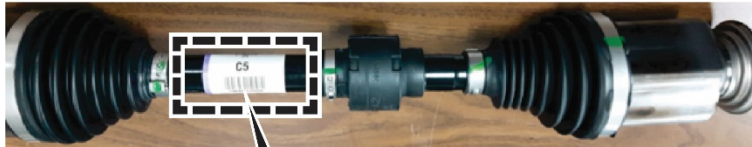
4. Write the numbers on the RO.

19 092617 0287

The 12 numbers are broken up into three categories as shown below. The date and serial number range will determine if the driveshaft needs to be replaced or not.



The example below shows how to use the chart to determine if the driveshaft needs to be replaced.



Line	Date	Serial Number Range
19	072617	0694 to 0981
19	072717	0022
19	072917	0427 to 0946
19	073017	0002 to 0064
19	073117	0001 to 0018
19	080317	0076 to 1244
19	080417	1020 to 1176
19	080517	0001 to 0082
19	080617	0895 to 1285
19	080717	0602 to 1035
19	081017	0124 to 0377
19	092617	0284 to 0403
19	092617	0976
19	092717	0002 to 0690

5. Compare the numbers from the label on the right-side driveshaft against the chart below to determine if it is affected.

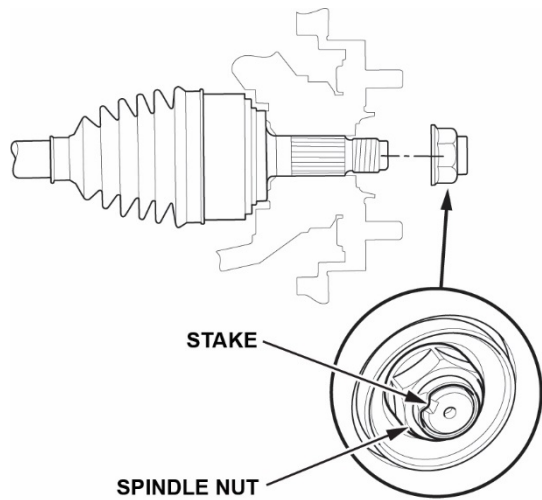
NOTE: If you can not read the label or if the label is missing, take a photo of the label or where the label would be and attach it to the RO, then go to the REPAIR PROCEDURE.

- Check that the the driveshaft was built on Line 19.
 - **If the shaft was built on Line 19**, go to the date check.
 - **If the shaft was not built on Line 19**, the driveshaft is OK. Submit a warranty claim for the inspection.
- Check the manufacturing date against the affected date in the table below.
 - **If the driveshaft was manufactured on one of the affected dates**, go to the serial number check.
 - **If the driveshaft was not manufactured on one of the affected dates**, the driveshaft is OK. Submit a warranty claim for the inspection.
- Check the affected date serial number.
 - **If the serial number is between the numbers listed** for the affected date, go to REPAIR PROCEDURE.
 NOTE: The serial number range includes the beginning and ending serial number listed below. For example, if you find 0694 manufactured on 072617 and on line 19, replace it.
 - **If the serial number is outside of the range listed**, the driveshaft is OK. Submit a warranty claim for the inspection.

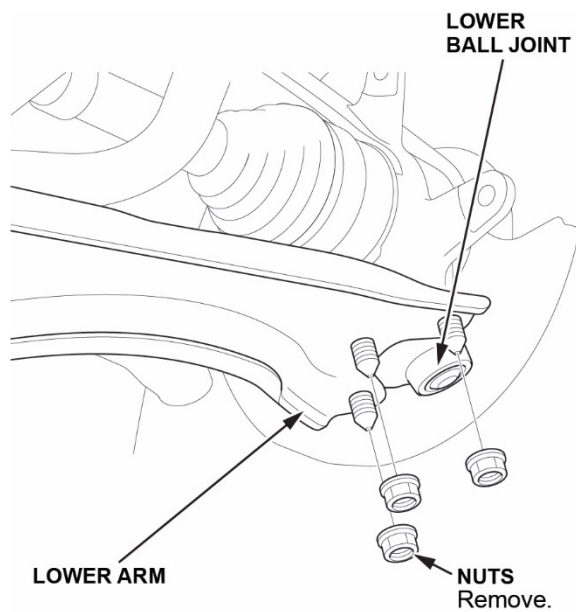
Line	Date	Serial Number Range
19	072617	0694 to 0981
19	072717	0022
19	072917	0427 to 0946
19	073017	0002 to 0064
19	073117	0001 to 0018
19	080317	0076 to 1244
19	080717	1020 to 1176
19	080817	0001 to 0082
19	080817	0895 to 1285
19	081017	0602 to 1035
19	081917	0124 to 0377
19	092617	0284 to 0403
19	092617	0976
19	092717	0002 to 0690

REPAIR PROCEDURE

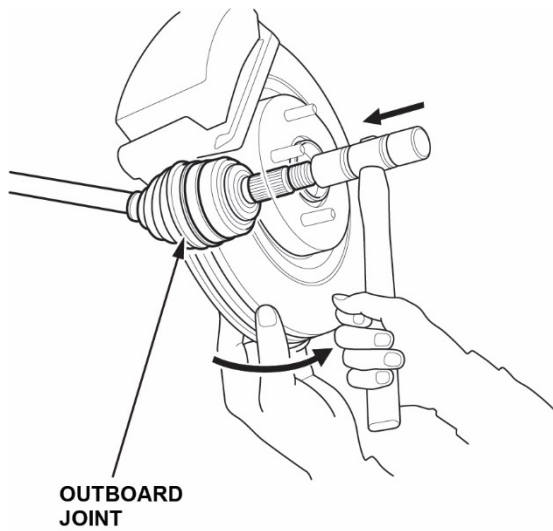
1. Lift the vehicle.
2. Remove the right front wheel.
3. Pry up the stake on the spindle nut, then remove the nut.



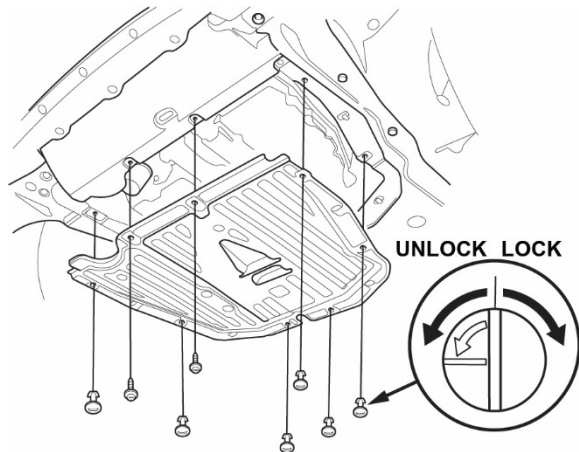
4. Remove the nuts and disconnect the lower ball joint from the lower arm.



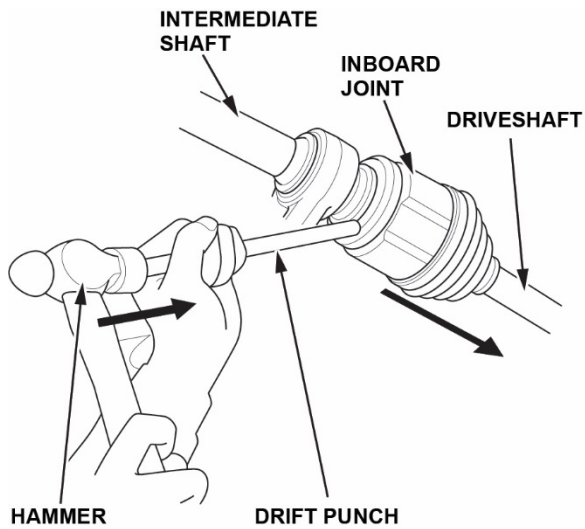
5. Disconnect the outboard joint.



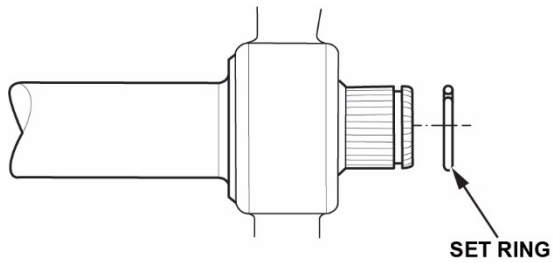
6. Remove the engine undercover plate.



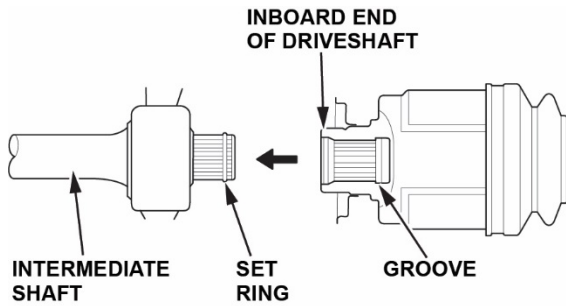
7. Remove the inboard joint off of the intermediate shaft using a drift punch and a hammer.



8. Remove the set ring on the intermediate shaft and replace it with a new set ring.

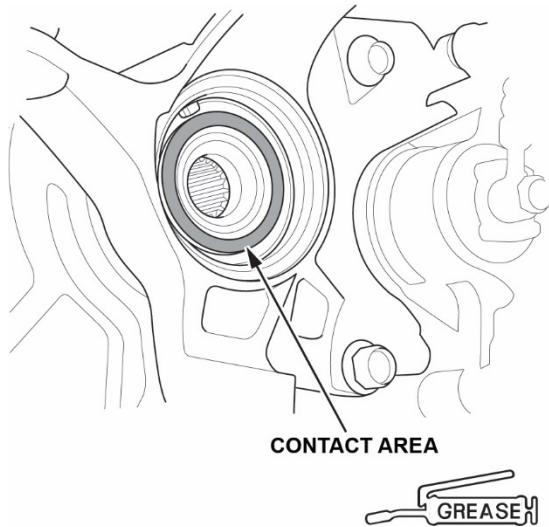


9. Insert the inboard end of the new driveshaft into the intermediate shaft until the set ring locks in the groove.

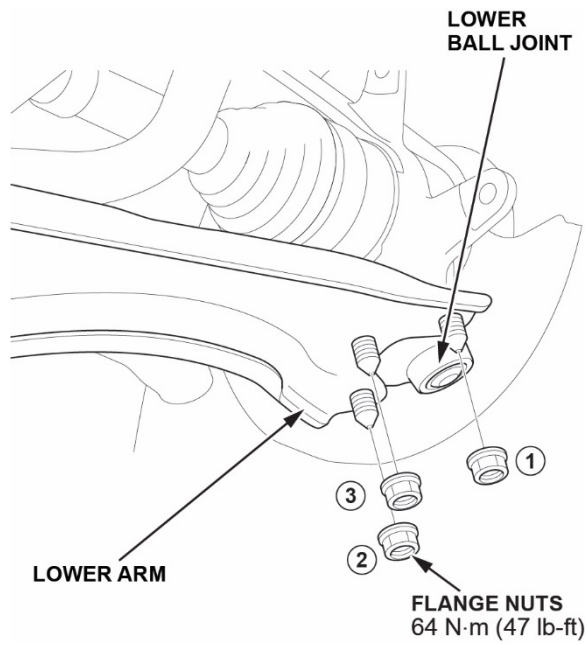


10. Apply about 3 g (0.11 oz) of molly 77 paste (P/N 08798-9010) to the contact area of the outboard joint and front wheel bearing. Then install the outer joint into the hub.

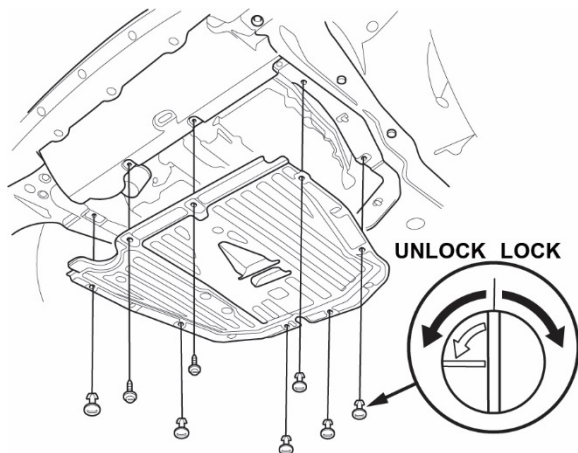
NOTE: The paste helps prevent noise and vibration.



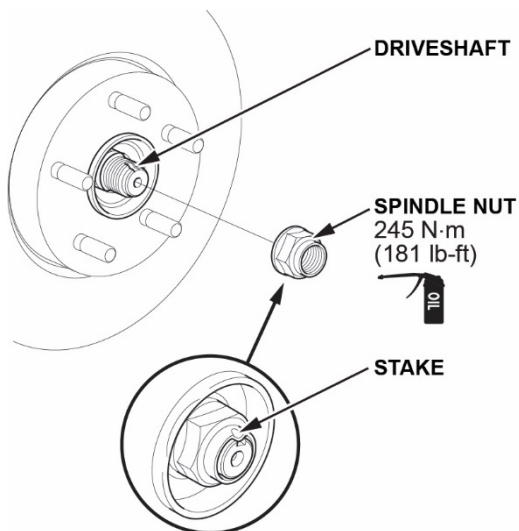
11. Install the lower ball joint to the lower arm with new flange nuts and torque in the sequence shown.



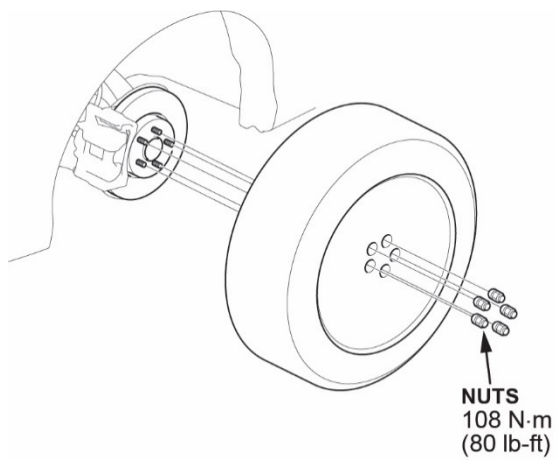
12. Install the engine undercover plate.



13. Install a new spindle nut and torque it to **245 N·m (181 lbf-ft)**. Use a drift to stake the spindle nut shoulder against the driveshaft.



14. Install the right front wheel.



15. Do the front wheel alignment. Refer to the service information.

END