

Released Date	27/12/2023	
Doc No.	IARCM002873	
Title	Tie Rod and Drag Link - Inspect Fixings	
Affected Vehicle(s)	Grenadier	PF000020 - PF000132 PFP10138 - PFP10153 RF006422 - RF010952
Prior to starting any reworks, please make sure you check the vehicle is affected by checking the VIN using Vehicle Simple Search in the Warranty System.		

Reason for this document

Issue: An issue has been identified on a small percentage of the affected vehicles where the tie rod and drag links may have the incorrect fixing installed.

Cause: Manufacturing process.

Action: Follow the procedure below.

Workshop Procedure

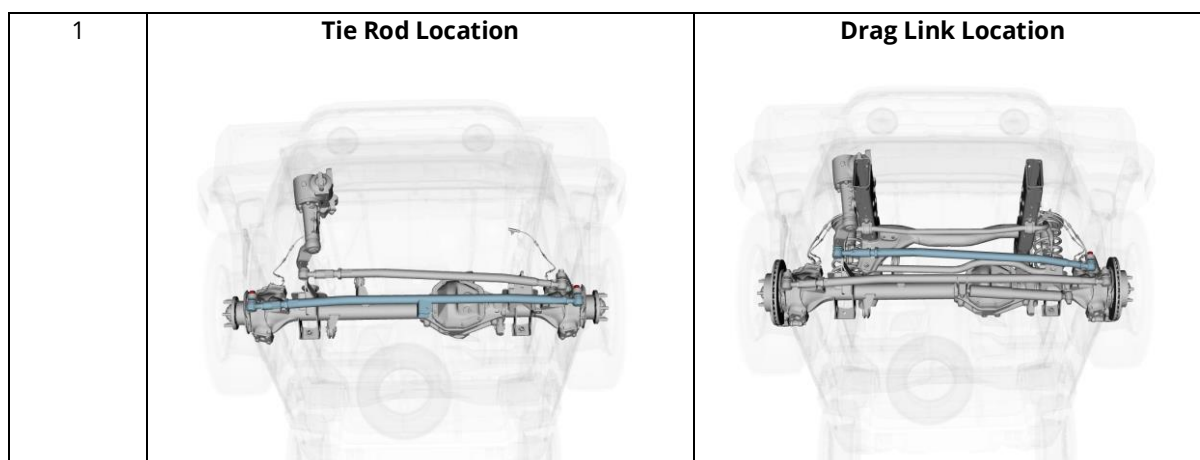
TOPIC - Tie Rod and Drag Link - Inspect Fixings

Operation	Repair Time
Visually inspect all 4 fixings - All OK	0.2
Visually inspect all 4 fixings - Replace Fixings as Required	0.3

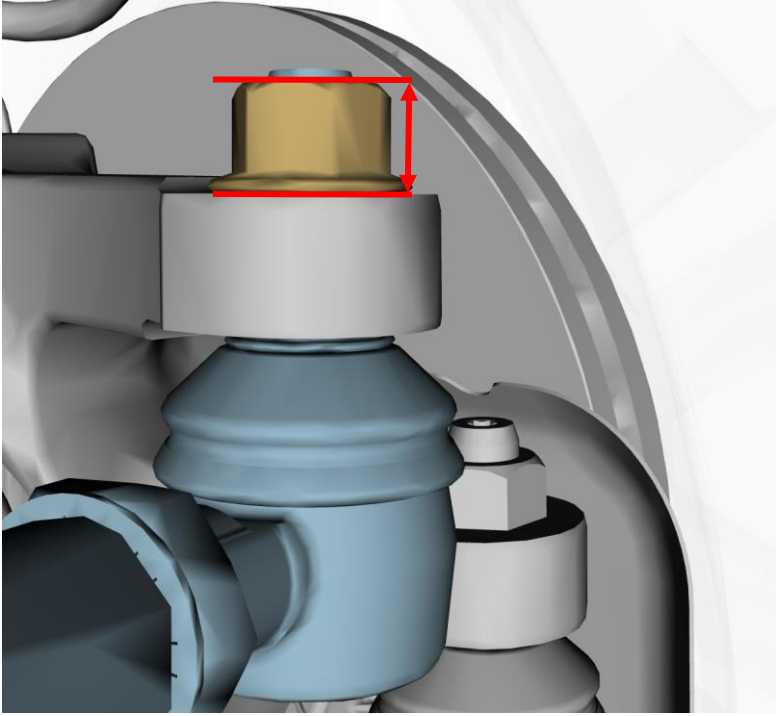
Parts

Part Number	Description	Qty
GRA-0000-004680	M16 Nut	4 (as required)

Information

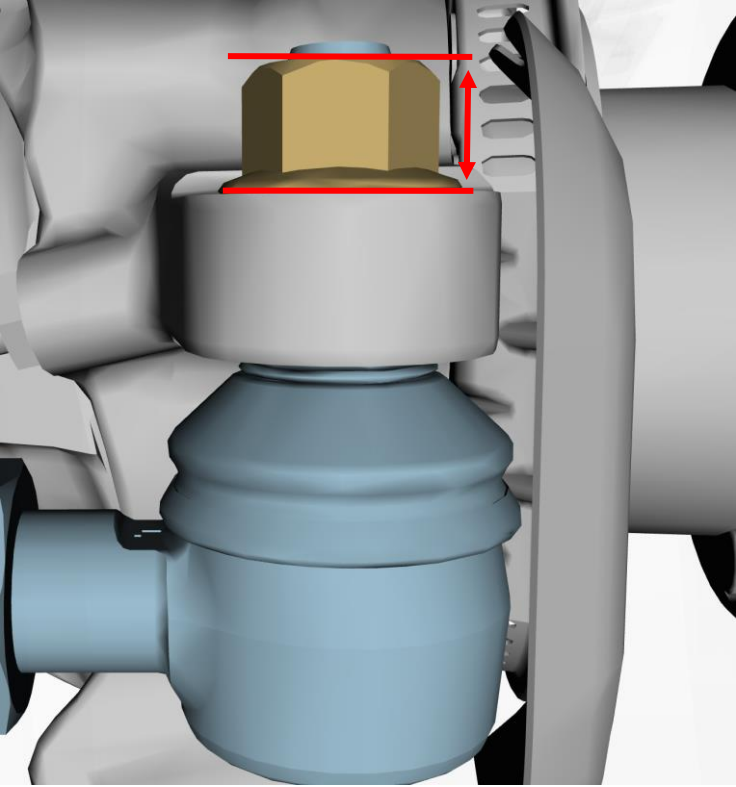


Procedure - Drag Link

1	<p>Raise the vehicle on a ramp.</p> <p>Refer To: TOPIC_000000382 Lift Vehicle On Ramp</p>
2	<p>Measure both drag link fixings as shown in the image below.</p> <p>Warning: The correct fixing will be a locknut type fixing. Incorrect fixing will be a standard type fixing.</p>  <ul style="list-style-type: none"> - If either of the fixing measurements are 15.7 mm, go to step 3. - If both fixing measurements are 17.7 mm, go to step 7.
3	<p>Remove and discard the fixings that measured 15.7 mm.</p>
4	<p>Install new fixings as required.</p> <p>Torque: 100NM</p>
5	<p>Release the Vehicle</p>



Procedure - Tie Rod

1	<p>Raise the vehicle on a ramp.</p> <p>Refer To: TOPIC_000000382 Lift Vehicle On Ramp</p>
2	<p>Measure both tie rod fixings as shown in the image below.</p> <p>Warning: The correct fixing will be a locknut type fixing. Incorrect fixing will be a standard type fixing.</p>  <ul style="list-style-type: none"> - If either of the fixing measurements are 15.7 mm, go to step 3. - If both fixing measurements are 17.7 mm, go to step 7.
3	<p>Remove and discard the fixings that measured 15.7 mm.</p>
4	<p>Visually inspect the thread of the affected ball joint(s).</p> <ul style="list-style-type: none"> - If the thread of the affected ball joint(s) is damaged, go to step 5. - If the thread of the affected ball joint(s) is not damaged, go to step 6.
5	<p>Install new fixings as required.</p> <p>Torque: 100 Nm</p>
6	<p>Release the vehicle.</p>



Change History

Reference No.	Date	Description
IARCM002873	27/12/2023	First release

