



Volvo Car Customer Service

QB Instruction VCC-528486-2

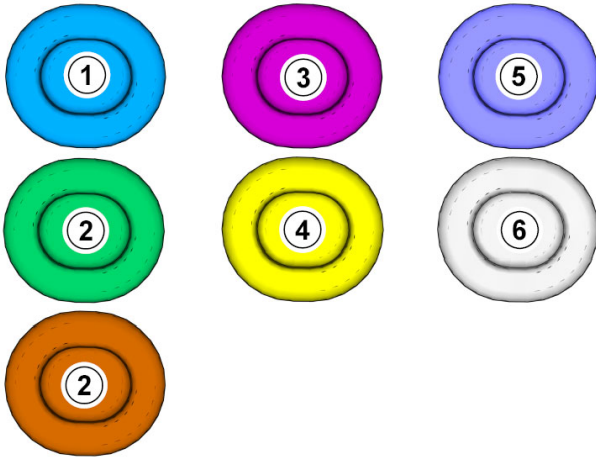
Title	Safety belt buckle and safety belt tensioner	Page	1 (14)
Action	Adjustment	Operation number:	

Issue	Date	Reason
1	2023-12	First issue

Affected vehicles

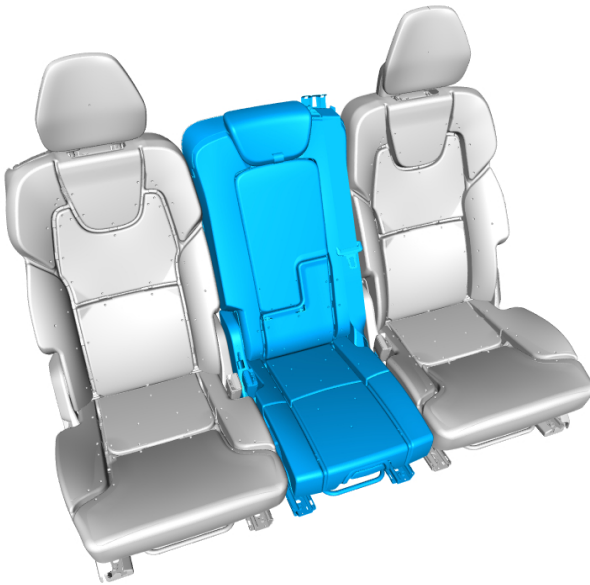
Model year	Model
2016, 2017, 2018, 2019, 2020, 2021, 2022, 2023, 2024	XC90 (16-)

Color symbols

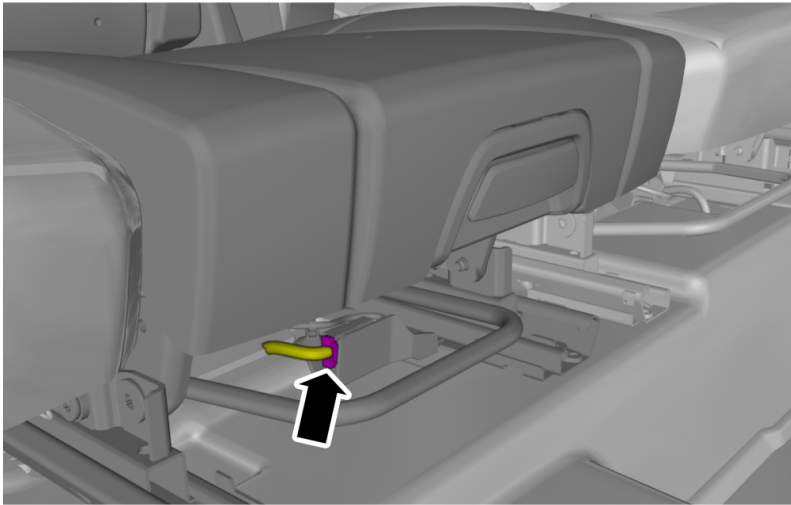


Note! This colour chart displays (in colour print and electronic version) the importance of the different colours used in the images of the method steps.

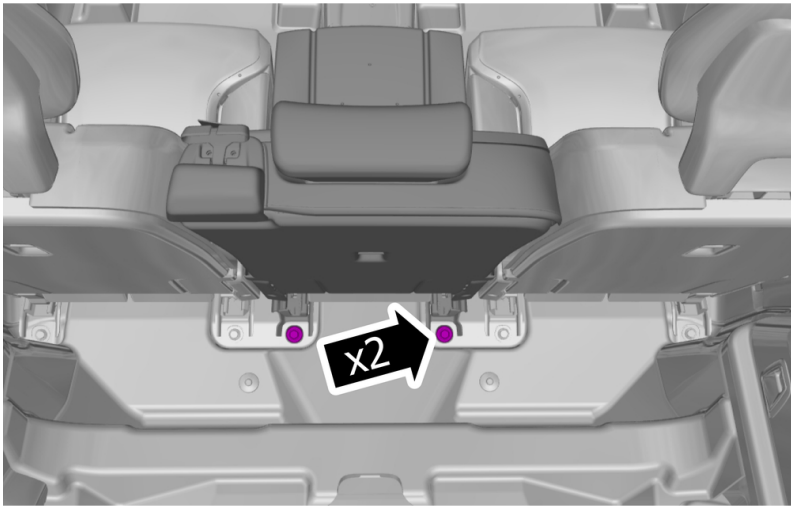
- 1 . Used for focused component, the component with which you will do something.
- 2 . Used as extra colors when you need to show or differentiate additional parts.
- 3 . Used for attachments that are to be removed/installed. May be screws, clips, connectors, etc.
- 4 . Used when the component is not fully removed from the vehicle but only hung to the side.
- 5 . Used for standard tools and special tools.
- 6 . Used as background color for vehicle components.



Note! Orientation view



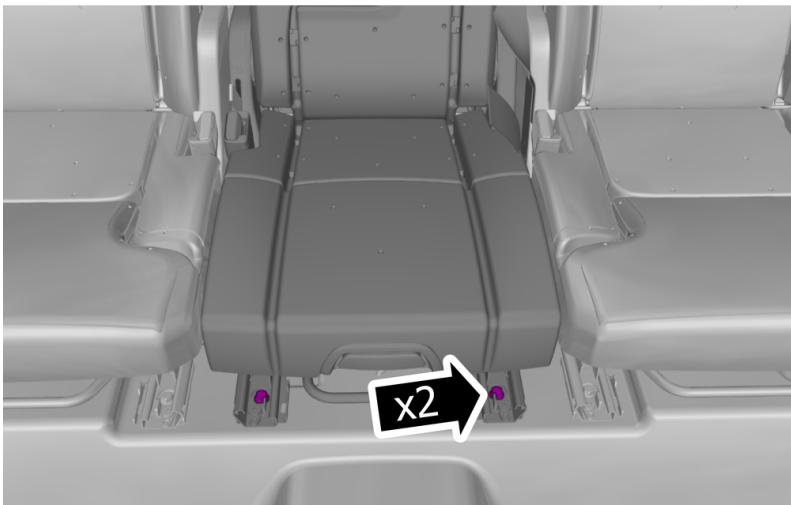
Disconnect the connector.



Remove the screws.

Torque:

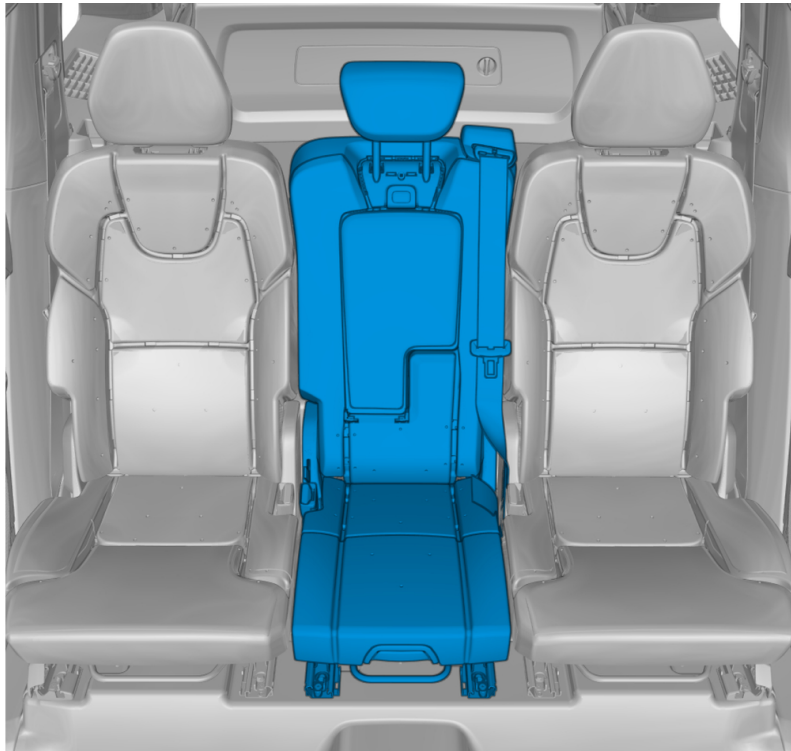
Rear seat, to body , 40 Nm



Remove the screws.

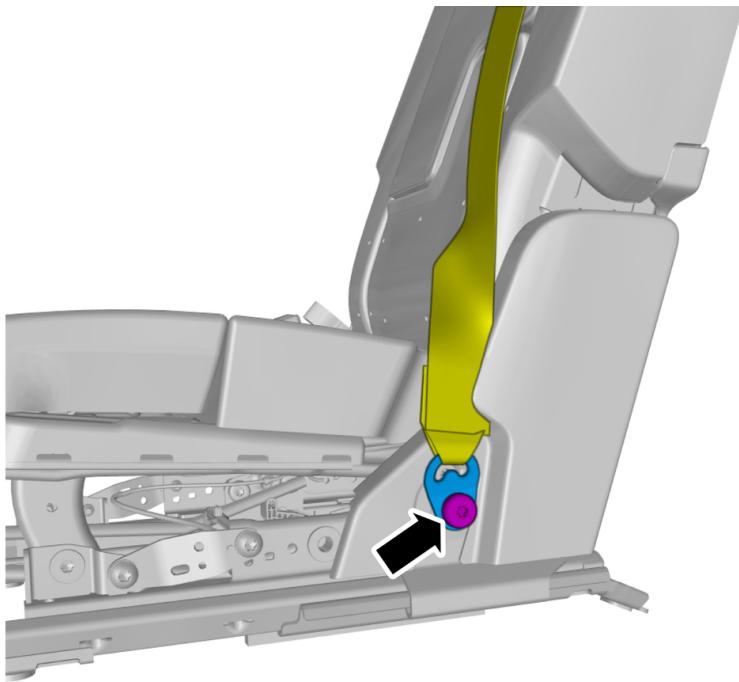
Torque:

Rear seat, to body , 40 Nm

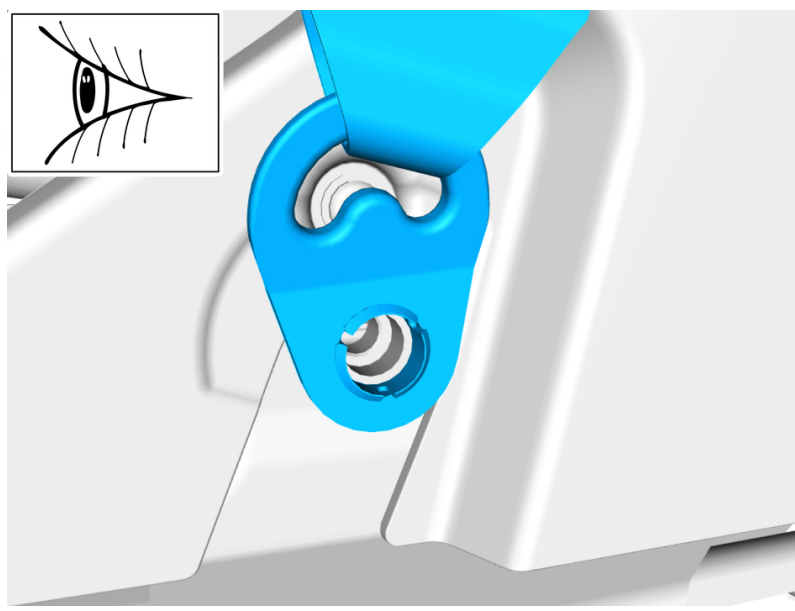


Hint: This step may require the aid of another technician.

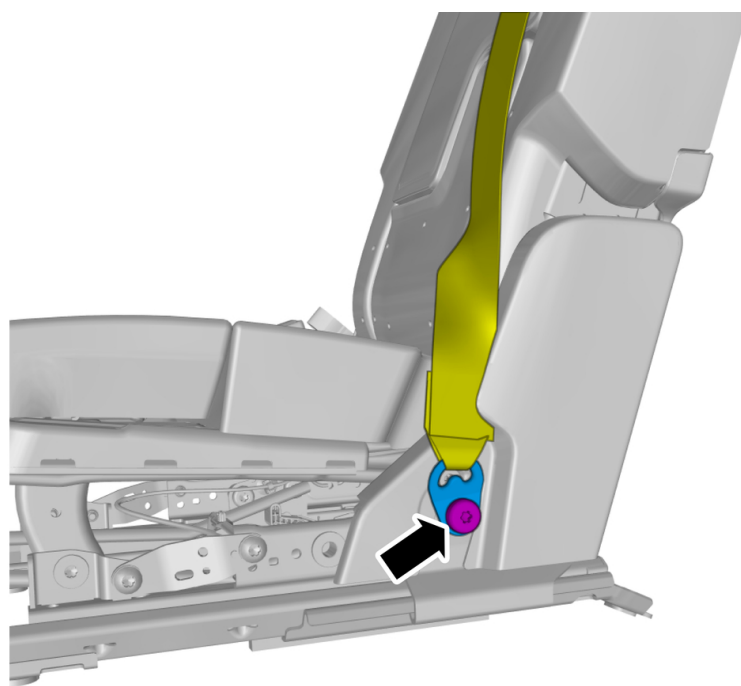
Remove the marked part.



Remove the screw.



Caution! Make sure that the component is positioned correctly.

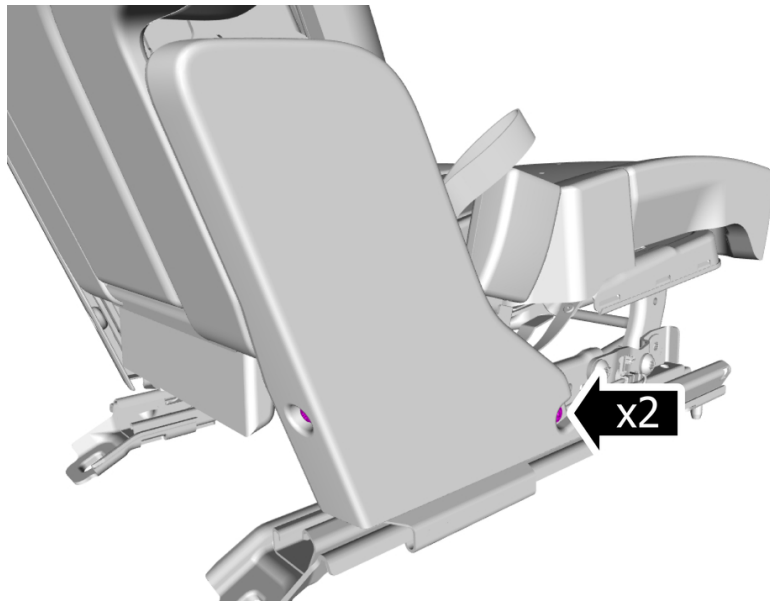


Install the screw.

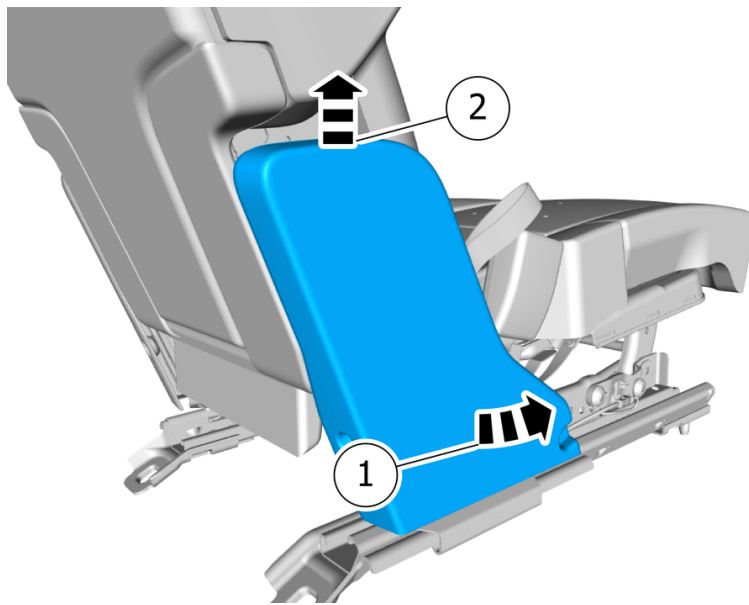
Torque:

Seat belt bracket, to Seat , 40 Nm

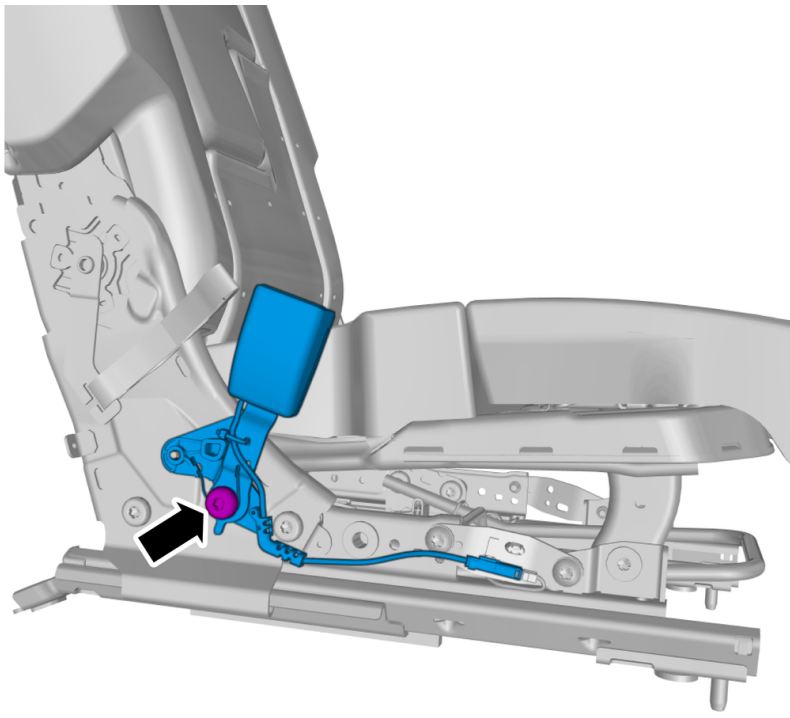
Remove the screws.



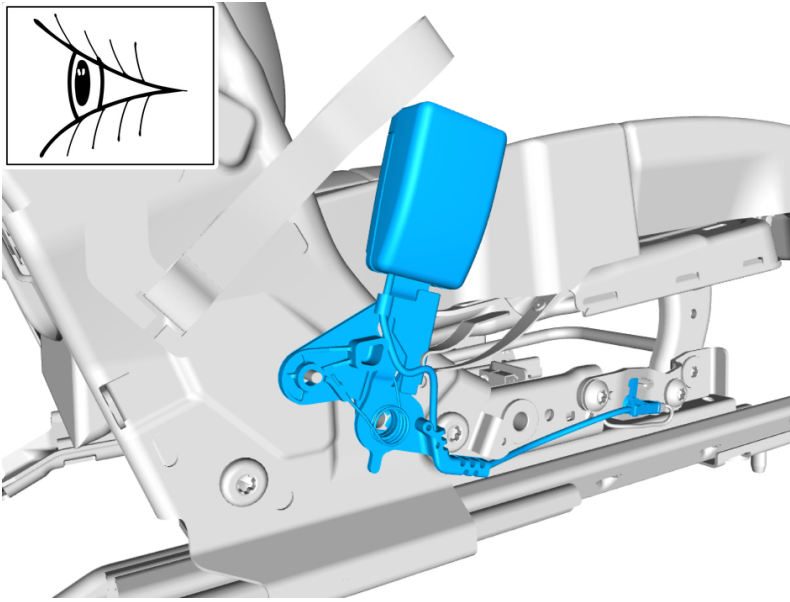
Remove the marked part.

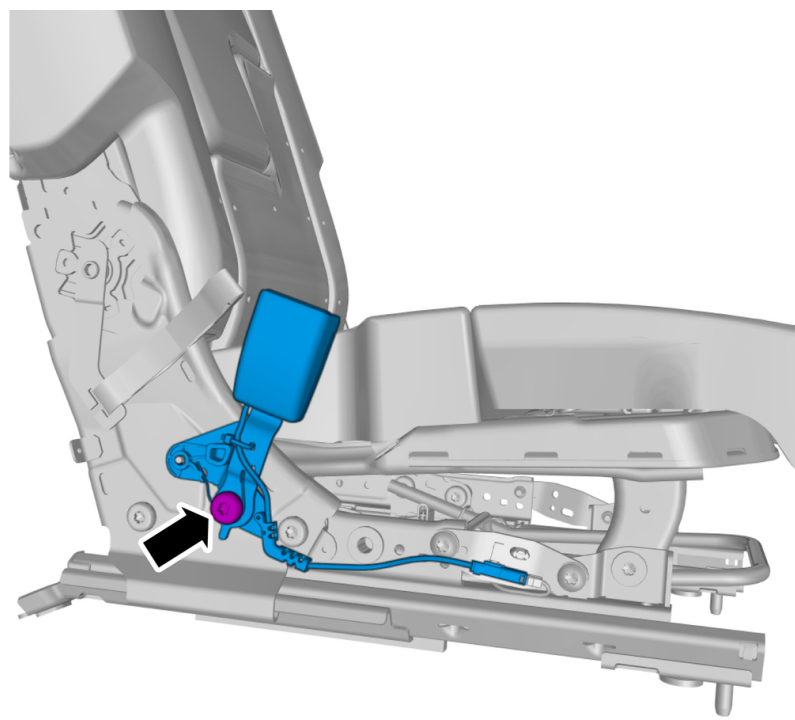


Remove the screw.



Caution! Make sure that the component is positioned correctly.



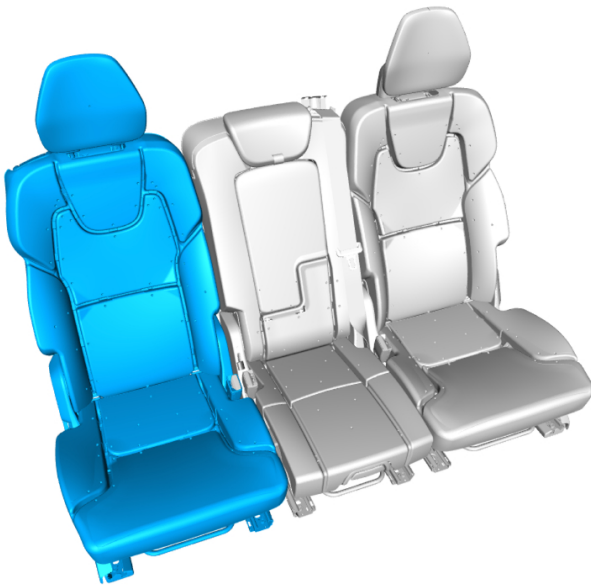


Install the screw.

Torque:

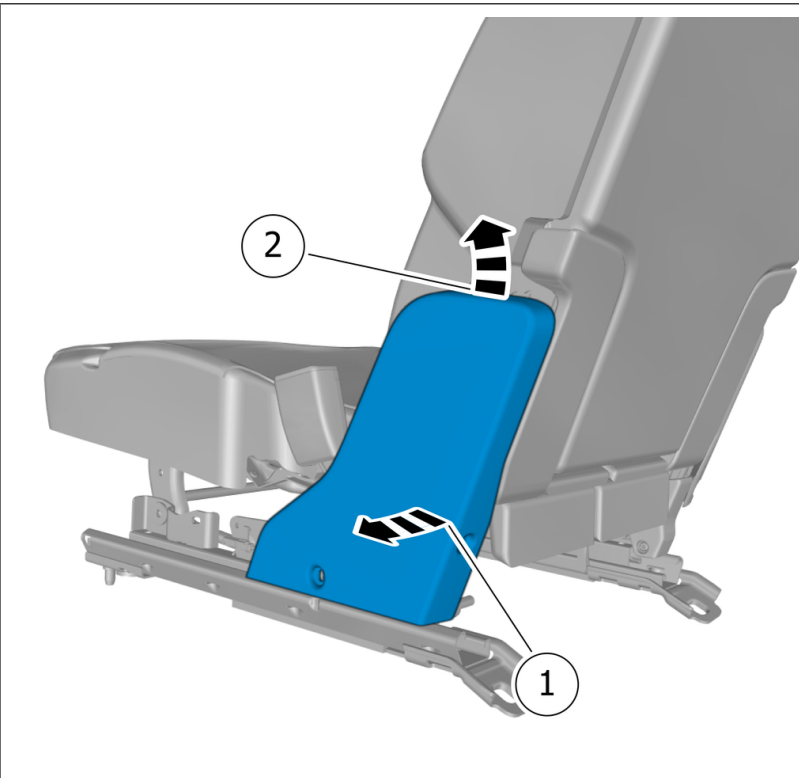
Buckle safety belt to seat , 40 Nm

Note! Orientation view

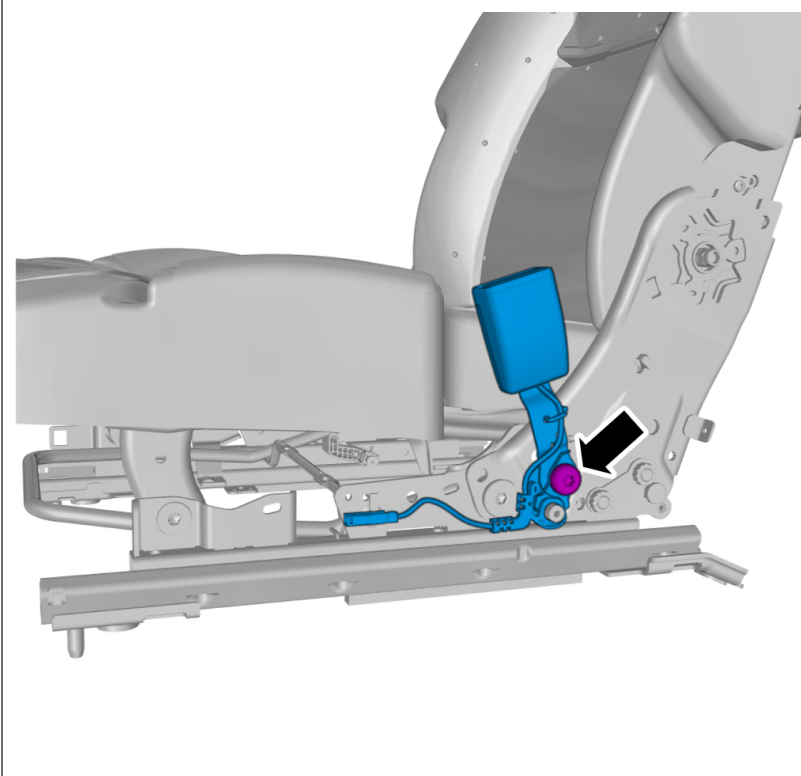




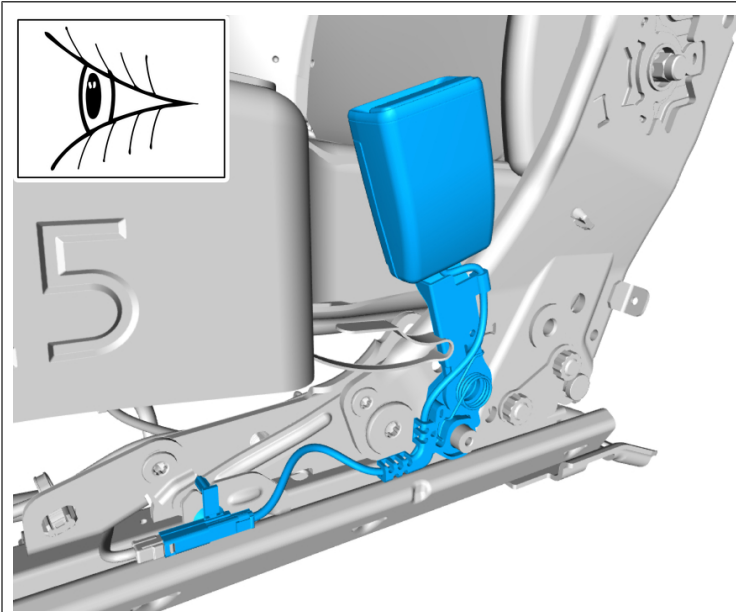
Remove the screws.



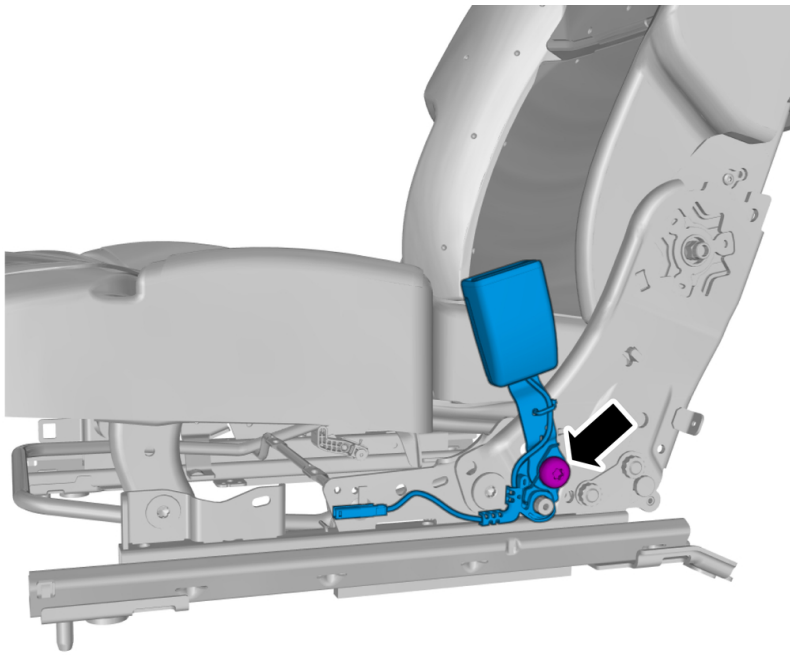
Remove the marked part.



Remove the screw.



Caution! Make sure that the components are positioned correctly.



Install the screw.

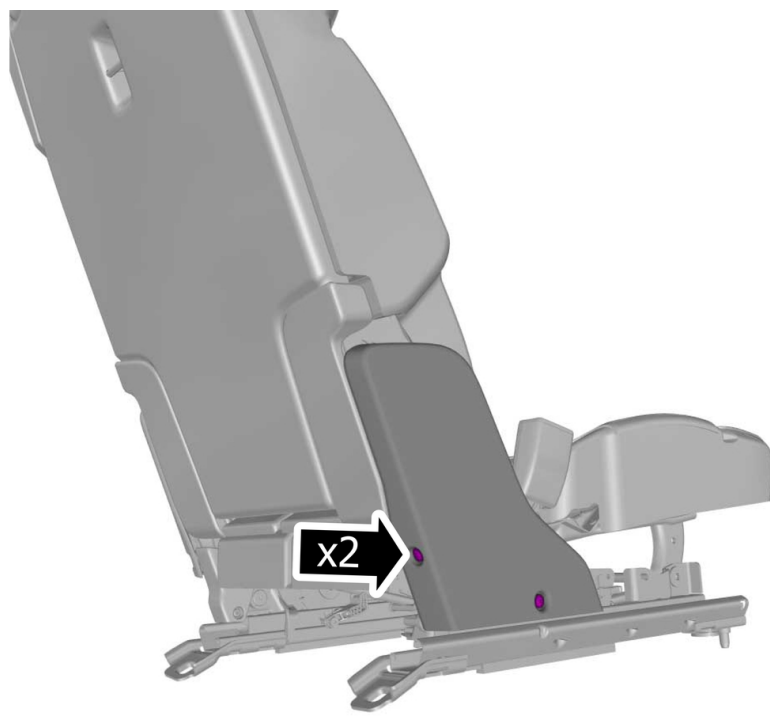
Torque:

Buckle safety belt to seat , 40 Nm

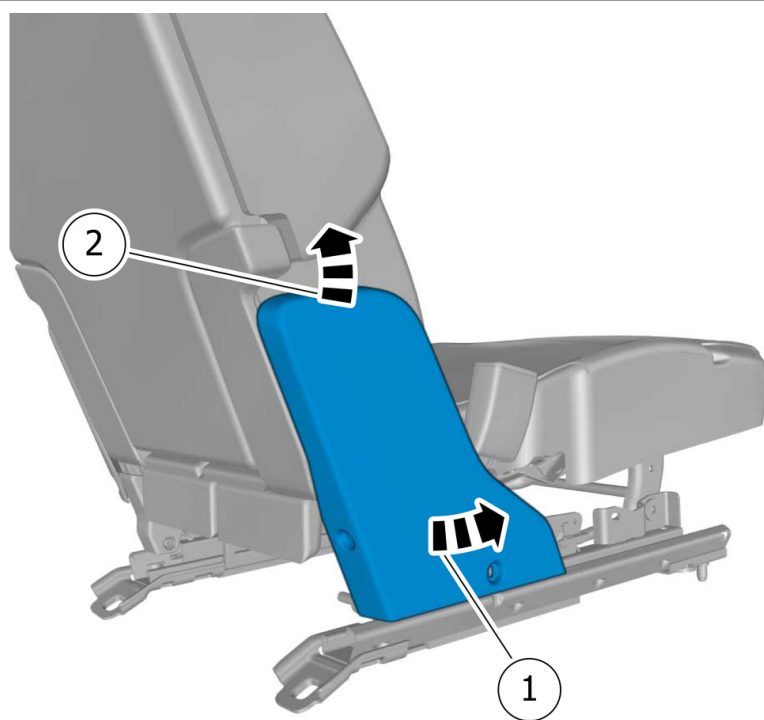


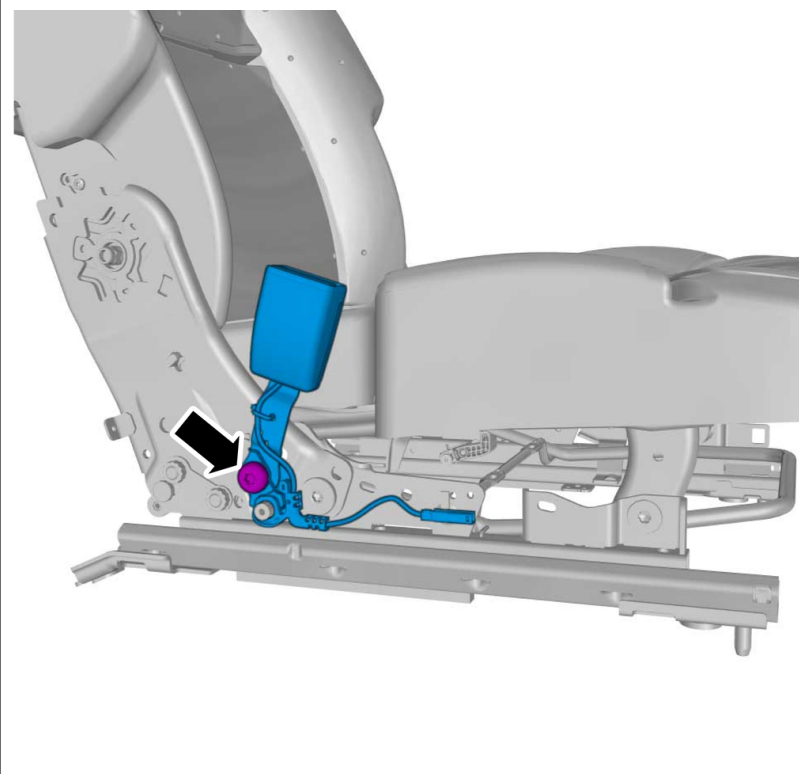
Note! Orientation view

Remove the screws.

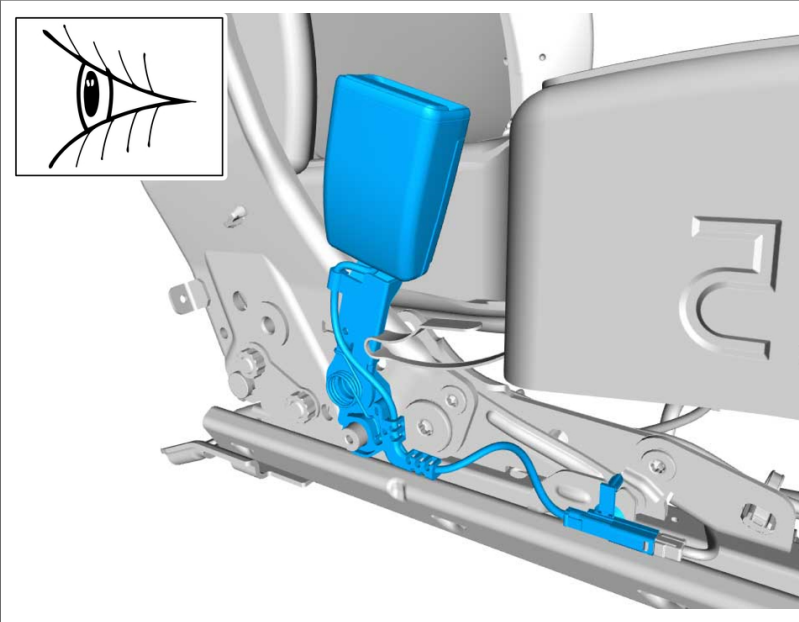


Remove the marked part.

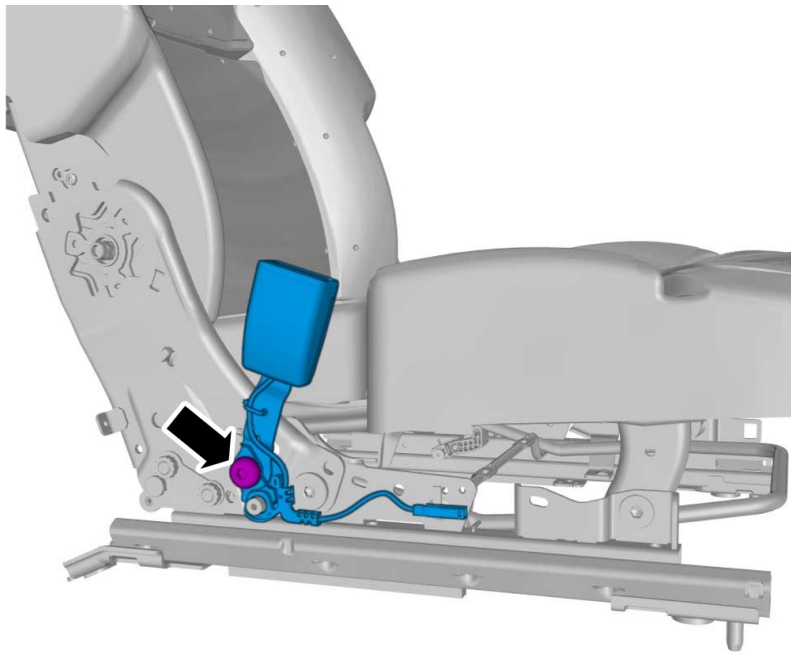




Remove the screw.



Caution! Make sure that the component is positioned correctly.



Install the screw.

Torque:

Buckle safety belt to seat , 40 Nm

Reinstall the removed parts in reverse order.