

Safety Recall

Mack Trucks Inc.
Greensboro, NC USA



Date	Number	Release	Page
11.2023	SC0453	01	1(6)

Mack Medium Duty Steering Wheel Bolt Torque MD6 and MD7

RECALL INFORMATION

(November 2023)

Mack has determined that certain model year 2024 Mack Medium Duty (“MMD”) chassis, were manufactured with a possible under or over torque condition on the steering wheel mounting hardware.

The steering wheel mounting fastener may not be torqued to specification. The improperly torqued fastener could result in a loss of clamp load on the steering wheel to steering shaft causing excessive play/looseness in the steering wheel.

To ensure that these vehicles meet Mack’s stringent quality requirements, replacement and torque of the affected fastener will be required.

VEHICLES AFFECTED

Certain Mack MD6 and MD7 vehicles manufactured between September 19, 2023, through November 5, 2023.

VEHICLE QUANTITY

There are 75 vehicles affected by this recall (74 U.S., 1 Canada).

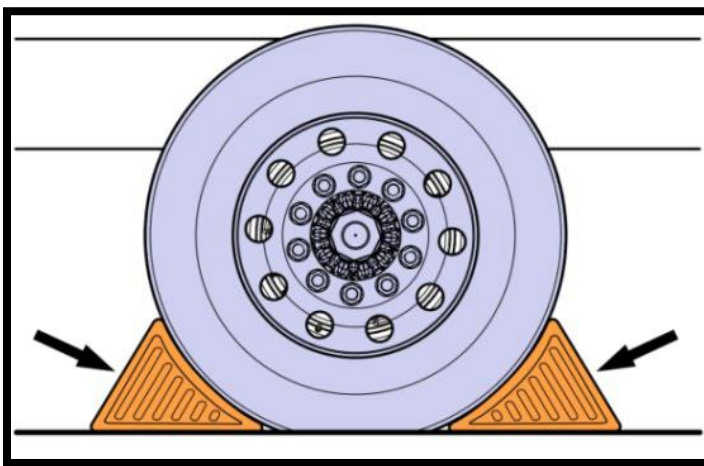
Parts

Order parts through normal process.

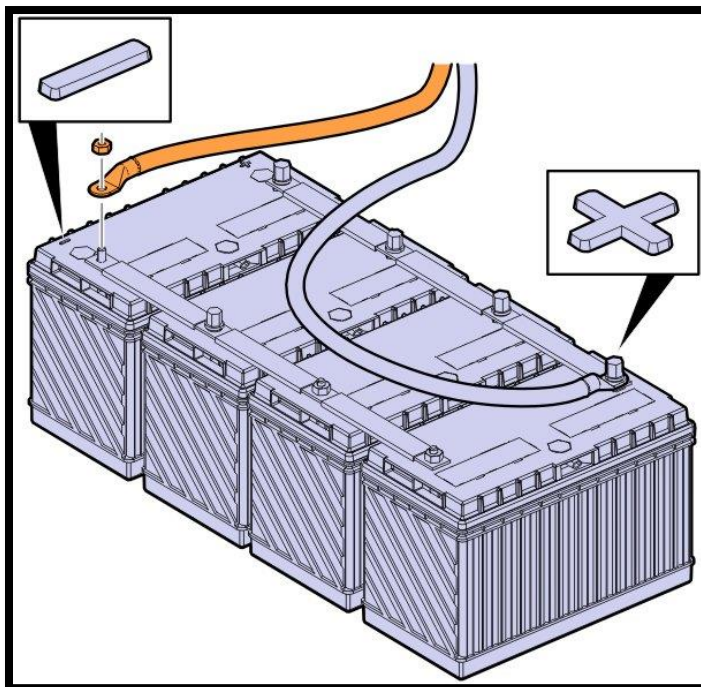
Part Number	Part description	Quantity
82735908	Flange Screw, M12*31	1

Repair Instructions

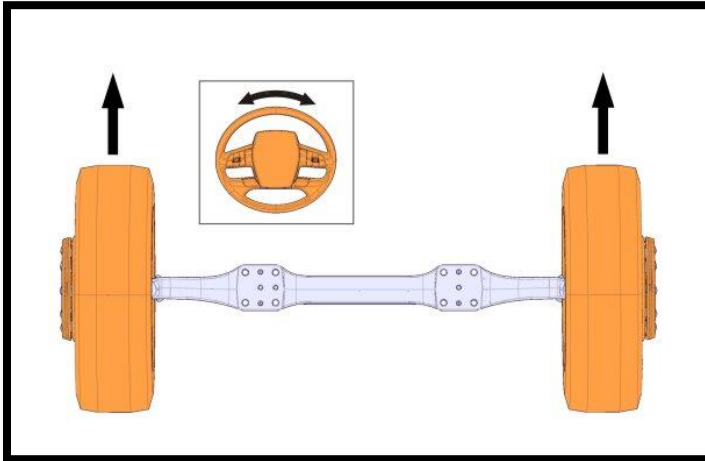
1. Secure vehicle for service by parking on a level surface.
2. Apply parking brake.
3. Place the transmission in neutral or park.
4. Install wheel chocks.



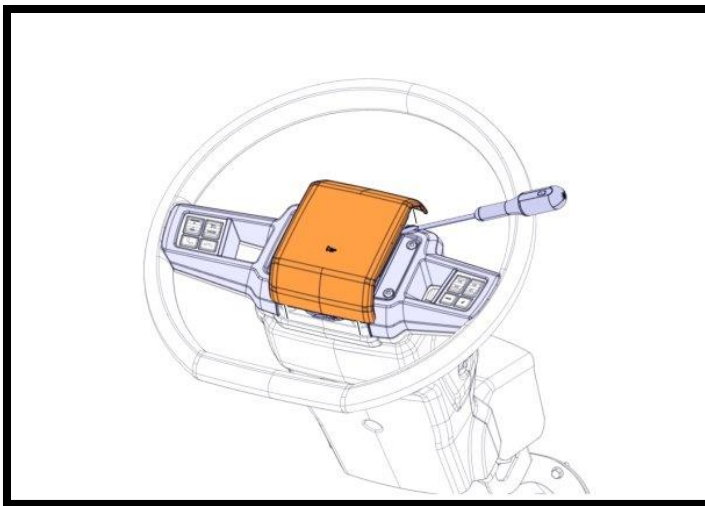
5. Disconnect the cable from the negative terminal.



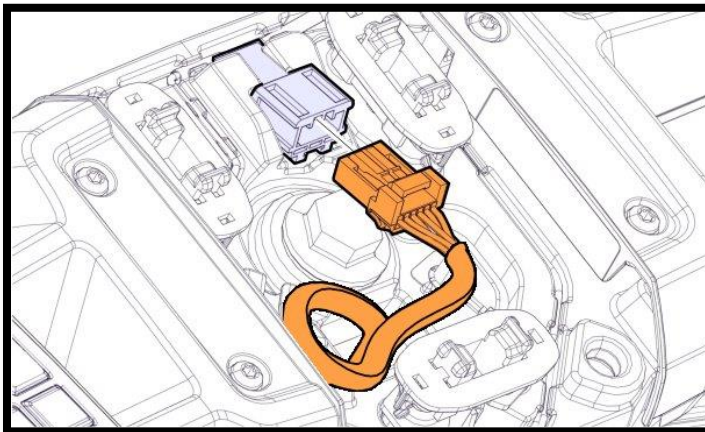
6. Turn the steering wheel so that the wheels point straight ahead.



7. Remove the horn button.



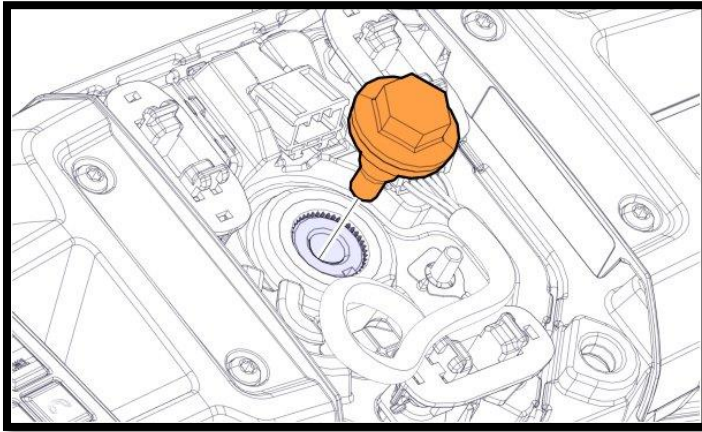
8. Disconnect the connector.



9. Remove the screw.

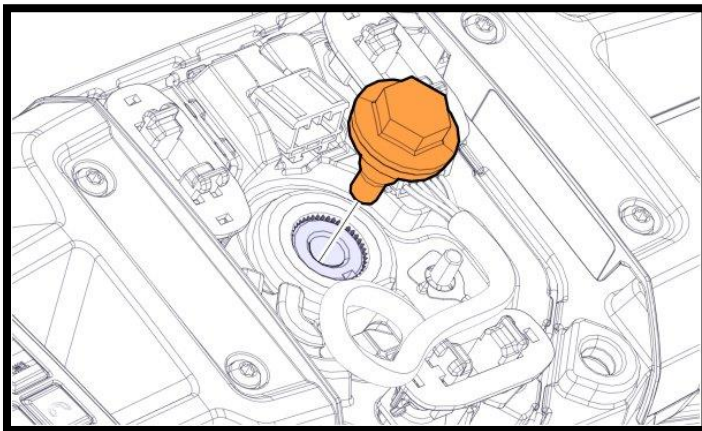
Important Note

Discard the screw



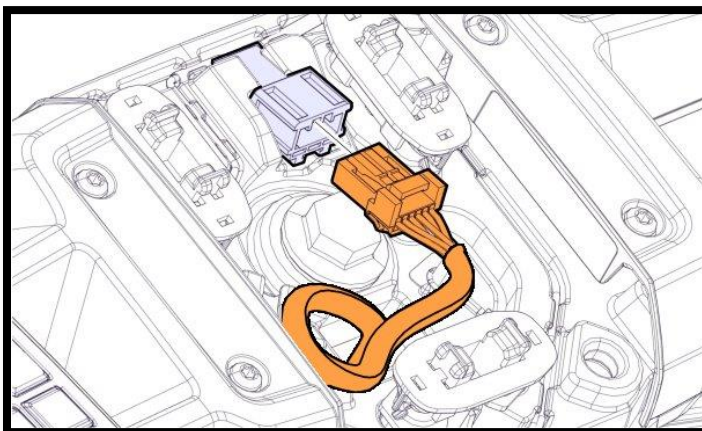
10. Install new steering wheel mounting screw **82735908**.

11. Torque steering wheel screw.

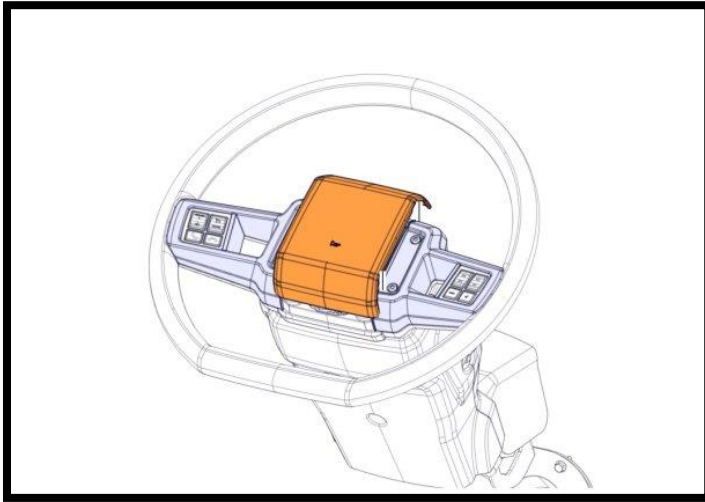


Tightening Torque	
Steering wheel, screw	85 ± 5Nm (63 ± 4 lb-ft.)

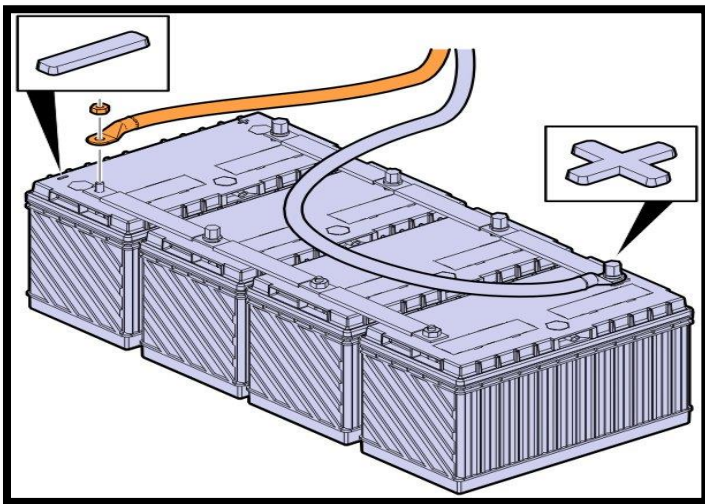
12. Connect the connector.



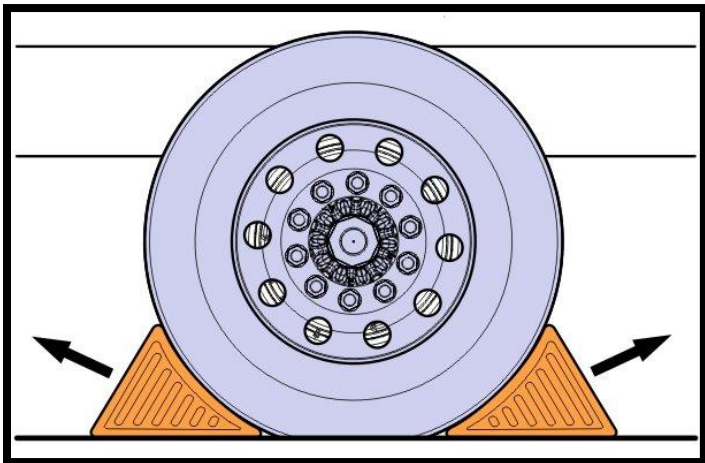
13. Install the horn button.



14. Connect the cable to the negative terminal.



15. Remove the wheel chocks.



16. Release the vehicle to the customer.

REIMBURSEMENT

This repair is covered by an authorized Safety recall. Reimbursement is obtained through the normal claim handling process.	
	UCHP Reimbursement
Claim Type (used only when uploading from the Dealer Business System)	40
Recall Status	
Vehicle repaired per instructions	1-Modified per instructions
Labor Codes	
6411-03-02-01 Steering Wheel, Replacement	0.3
Causal Part	82735908
Authorization Number	C0324

Note: Dealers are to perform Safety Recall on all subject vehicles at no charge to the vehicle owner regardless of mileage, age of vehicle or ownership (original purchaser or subsequent purchasers). Whenever vehicles are subject to a Safety Recall are brought to your dealership for service, or taken into your dealership vehicle inventory, it is strongly recommended that every effort be made to perform the recall correction before the vehicle is sold or released to the owner.