



INSTRUCTION TO SERVICE

ITS: 60843		October 18, 2023
SECTION:	304- Paint & Decals	
WRITTEN BY:	Troy Stutsky	
SUBJECT:	Incorrect GVWR on Vin decal. Replace affected portion of VIN decal.	
ISSUE:	Incorrect data was provided to the production clerk responsible for VIN decal creation. The GVWR is incorrect.	
SUMMARY:	A new portion of the VIN decal will be created with the correct GVWR on it. This will be affixed on top of the incorrect information on the existing decal.	

ITS60843

Ref. NHTSA Recall No.	Ref. Transport Canada Recall No.
23V711	Not Applicable

THIS ITS DOCUMENT SHOULD BE RETAINED AND REFERRED TO FOR FUTURE MAINTENANCE UNTIL THE NEW FLYER PARTS AND/OR SERVICE MANUAL IS UPDATED TO REFLECT WORK DONE AS A RESULT OF THIS DOCUMENT. ENSURE THAT THIS DOCUMENT IS AVAILABLE FOR PARTS AND MAINTENANCE STAFF GOING FORWARD.

PROCEDURE:

1. Set park brake and chock wheels.
2. Turn the main battery disconnect switch to the "OFF" position.
3. Locate the existing VIN decal on the HVAC enclosure. See Figure 1.

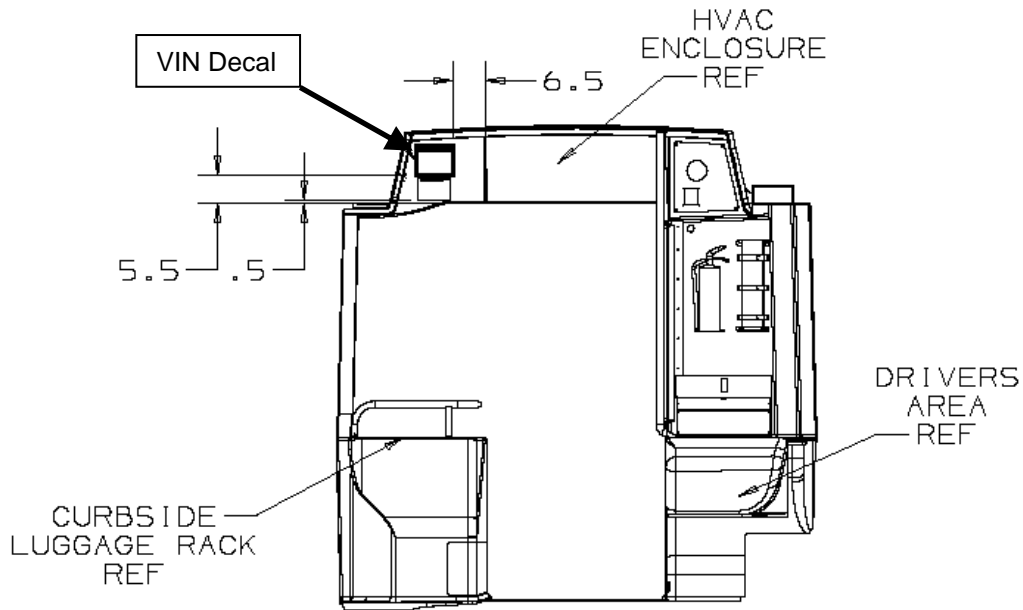


Figure 1: Existing VIN Decal Location

4. Carefully center and affix the new decal portion (NF PN 055088) with the correct GVWR information on it directly over the existing decal with the incorrect GVWR information or it. See Figure 2.


		NEW FLYER OF AMERICA INC.	
NEW FLYER		_____	
DATE OF MANUFACTURE		_____	
GROSS VEHICLE WEIGHT RATING _____ LB (KG)			
GAWR:FRONT	_____ LB (KG)	TIRES	
_____ RIMS AT	_____ PSI (KPA)	COLD-SINGLE	
CENTER	_____ LB (KG)	TIRES	
_____ RIMS AT	_____ PSI (KPA)	COLD-DUAL	
REAR	_____ LB (KG)	TIRES	
_____ RIMS AT	_____ PSI (KPA)	COLD-DUAL	
<small>THIS VEHICLE CONFORMS TO ALL APPLICABLE US FEDERAL MOTOR VEHICLE SAFETY STANDARDS IN EFFECT ON THE DATE OF MANUFACTURE SHOWN ABOVE</small>			
V.I.N.	_____		
TYPE BUS	_____		
MODEL NO.	_____		

Figure 2: Affix New Decal Portion Over Existing Decal



NEW FLYER®

INSTRUCTION TO SERVICE

ITS60843

5. Ensure new decal portion is fully adhered to the existing decal.
6. Clean up all tools and debris and return the bus to service condition.
7. Turn the main battery disconnect switch to the "ON" position.



LABOUR ESTIMATE				
	Operation	Number of Technician(s)	Hours	Labor Time T X HR
1	Replace affected portion of VIN decal.	1	0.25	0.25

PARTS REQUIRED					
Item	Part Number	Description	Qty. per Coach	Units	Notes
1	055088	DECAL-V.I.N. (US)	1	EA	