



## Volvo Car Customer Service

QB Instruction VCC-526771-2

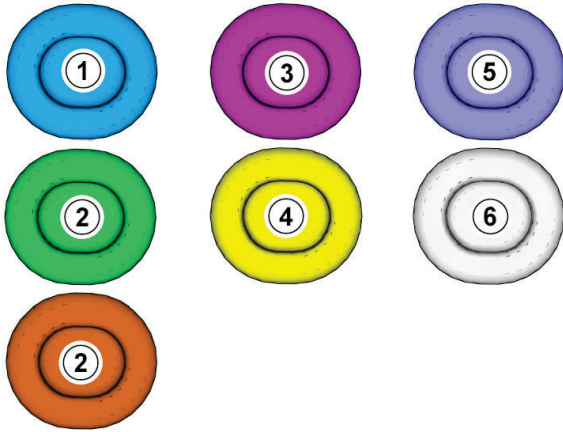
<b>Title</b>	Spindle	<b>Page</b>	1 ( 5 )
<b>Action</b>	Adjustment	<b>Operation number:</b>	97918-2

<b>Issue</b>	<b>Date</b>	<b>Reason</b>
1	2023-06	First issue

### Affected vehicles

<b>Model year</b>	<b>Model</b>
2023	Polestar 2

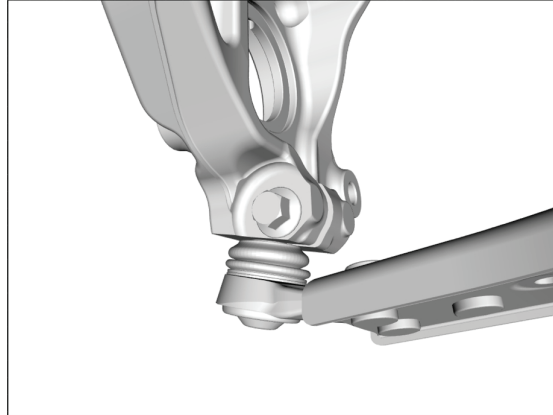
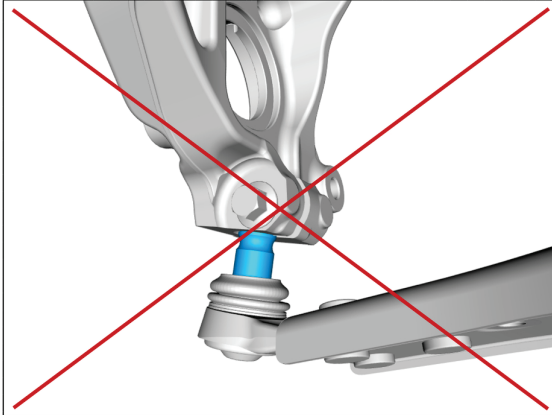
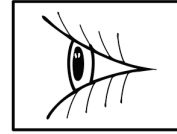
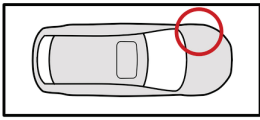
## Color symbols



**Note! This colour chart displays (in colour print and electronic version) the importance of the different colours used in the images of the method steps.**

- 1 . Used for focused component, the component with which you will do something.
- 2 . Used as extra colors when you need to show or differentiate additional parts.
- 3 . Used for attachments that are to be removed/installed. May be screws, clips, connectors, etc.
- 4 . Used when the component is not fully removed from the vehicle but only hung to the side.
- 5 . Used for standard tools and special tools.
- 6 . Used as background color for vehicle components.

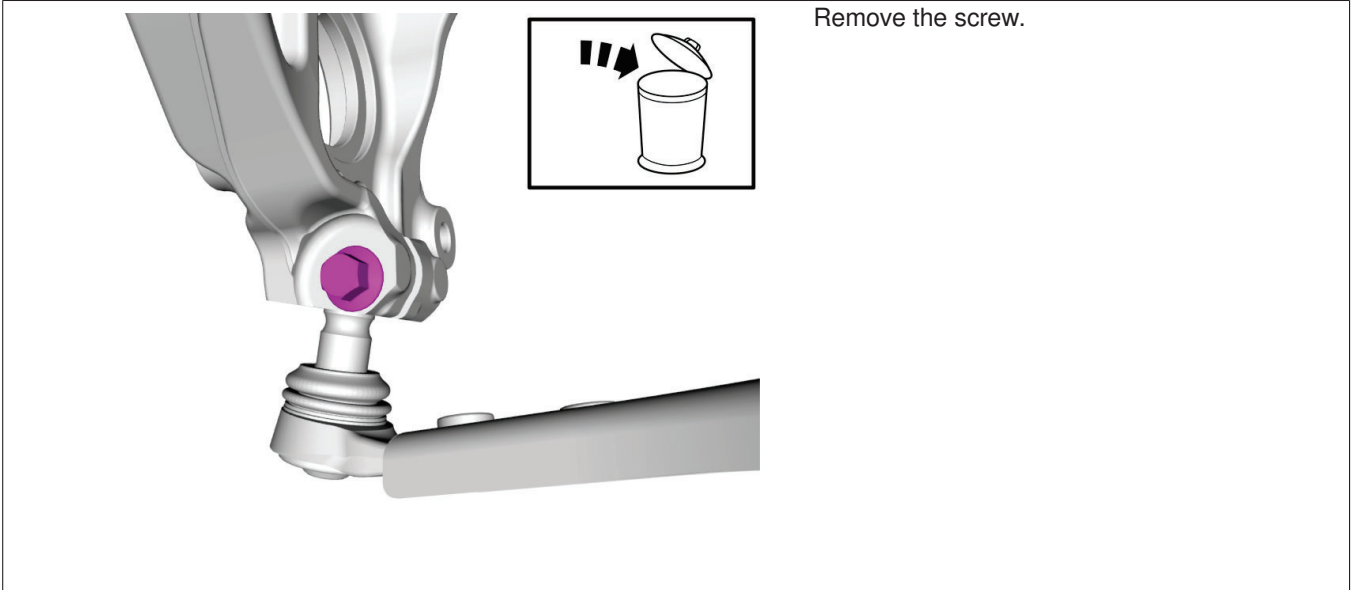
Check

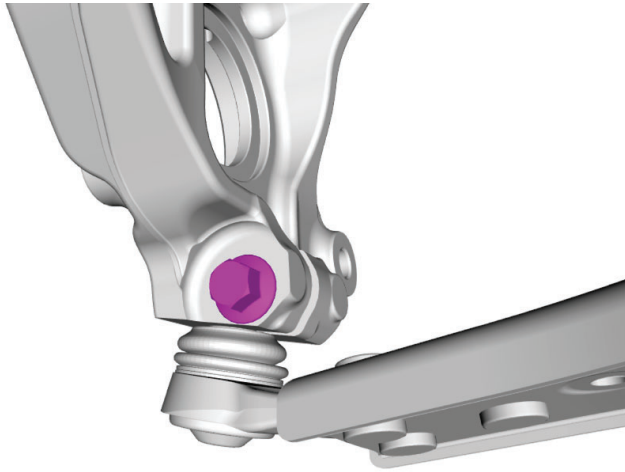


**Note!** Note the position.

Adjustment

Remove wheel , refer to:  
Removal, replacement and installation  
7 - Springs and wheels  
77 - Wheels, tyres  
770 - complete wheels





**Note! Make sure that a new component is installed.**

Install the screw.

**Torque:**

- Stage 1 : Ball joint to wheel knuckle , 90 Nm
- Stage 2 : Ball joint to wheel knuckle , 75°

Assemble wheel , refer to:

Removal, replacement and installation

7 - Springs and wheels

77 - Wheels, tyres

770 - complete wheels