



Thor Motor Coach Recall Repair Instructions

Recall #	23v-121 & 2023-095		
Description/Title:	Overhead Cabinets		
Affected Product Line(s):	Certain model year 2018-2021 Hurricane and Windsport motorhomes		
Service Campaign # :	RC000290	Released Date:	
Codes:	Inspect Only: TMCRC80413Y Inspect with Repair: TMCRC80413V	Document Date:	
Time Allowed:	Inspect Only: 0.2 Inspect with Repair: 0.3	Document Revision:	A

Issue:

It has been discovered that on certain model year 2018-2021 Hurricane and Windsport motorhomes, the overhead cabinets located above the driver and front passenger seats may have been improperly installed during production. If the cabinet comes detached while the vehicle is in motion, the cabinet may impact the vehicle operator causing a loss of vehicle control which can result in crash. A crash can result in personal injury or death.

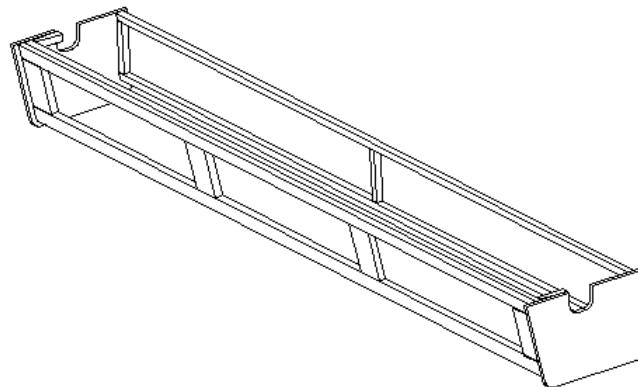
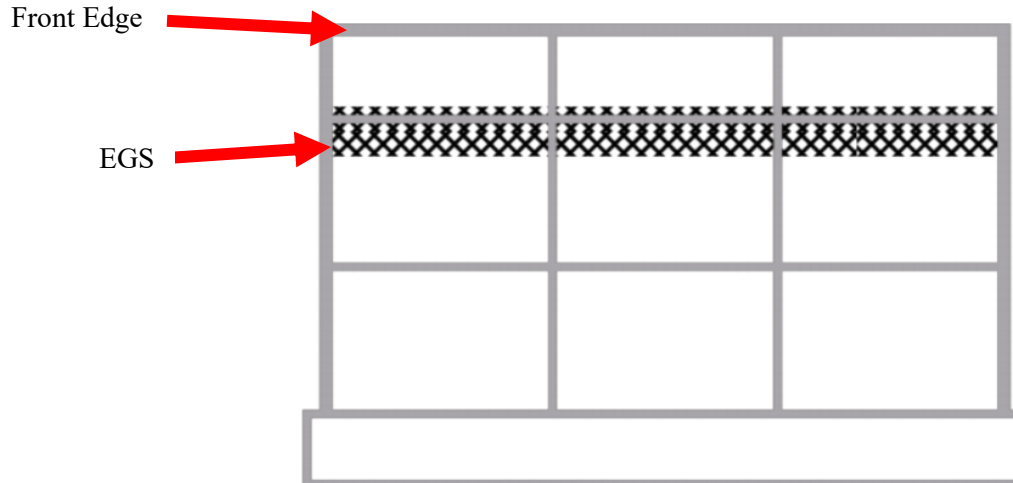




Thor Motor Coach Recall Repair Instructions

Instructions:

1. Verify that the rear of the cabinet is mounted all the way to the front edge of the bed deck. The rear stile of the cabinet will be screwed into the aluminum tube of the bed deck. (The aluminum tube is not visible on finished product.) This will line up the front edge of the cabinet to be screwed into the area of the EGS backer (EGS is not visible on finished product).



2. The screws into the front and rear stiles should be spaced at minimum every **six (6)** inches. If they are not, add additional screws as needed.
3. If further repairs are needed, please contact TMC directly at (877) 500-1020 for additional assistance.