

Keystone RV Company

3/28/23

SAFETY ADVISORY # 23-439

Fuel Pump Controller

Keystone is conducting a voluntary RECALL notification campaign in accordance with the National Highway Transportation and Safety Act. It has been decided that the vehicles in the recall population have a fuel station controller that may fail under certain circumstances. In the case of some failures, an increased risk of fire has been shown to exist.

Models Included:

Year	Model	Serial Number Ranges
2021 2022 2023	Carbon – All Models	MR805871 - MR805956 NR805000 - NR805814 PR805000 - PR805178
2021 2022 2023	Fuzion – All Models	MF811355 - MF811755 NF810000 - NF811225 PF810000 - PF810318
2021 2022 2023	Impact – All Models	MF815701 - MF815859 NF815000 - NF815638 PF815000 - PF815189
2021 2022 2023	Raptor – All Models	MR801550 - MR801678 NR800000 - NR801106 PR800000 - PR800313

Parts Required: 1 – KRV # 270590 - Box - Drain Cover - 7.5" x 12" x 2.75" (*This part may be ordered in bulk without a VIN*)

2 – Black #8 x 1" screws (purchased locally)

Parts When Needed: 1 – KRV # 696343 - Fuse - Holder - 15 Amp - 10 Ga - W/P - w/15 Amp Fuse - Optifuse - LPR-03BL - 10BL - 15A - DC - Blue (*This part may be ordered in bulk without a VIN*) (This part can be obtained locally)

1 – Dual Tank Controller KRV # 701368 Fuel Station - Controller - Carb/EPA Compliant - FLAT - (E/INT2S) - Replaces Krv 681575

1 – Single Tank Controller KRV # 701373 Fuel Station - Controller - Carb/EPA Compliant - FLAT - (E/I) - Single System - Replaces Krv 688169,693217,697535

2 – Wire connectors, if needed (purchased locally)

Tools Required: - Screw gun - Wire cutter/crimpers - Drill - 1/8" Drill bit - Foam gun

This Safety Advisory requires a Pre-Authorization & Photograph

Note – Check serial number on Key Express to verify the campaign is open. Some vehicles were repaired before they left Keystone.

When performing warranty or recall service, please make certain that appropriate Personal Protective Equipment (PPE) is used.

The remedy is to protect the fuel pump controller from the elements of weather by installing a plastic cover on the back side of the skirt metal, and to make sure the circuit is protected by a 15 amp ATC fuse at the power source. If the circuit is not protected by a 15 amp fuse add an inline fuse like KRV# 696343- Fuse - Holder - 15 Amp - 10 Ga - W/P - w/15 Amp Fuse - Optifuse - LPR-03BL - 10BL - 15A - DC - Blue.

REPAIR INSTRUCTIONS

Step 1

Locate the trailer on a level, flat, hard surface. Chock the wheels.

Step 2

Locate the fuel pump controller at the rear off door side of the unit, close to the fuel station. Make sure that the back of the controller is clean, free of road debris, and dirt. Inspect the back of the controller for damage or excessive corrosion, replace if necessary. See parts listed above for reference. Pictures of the controller will be required for review.

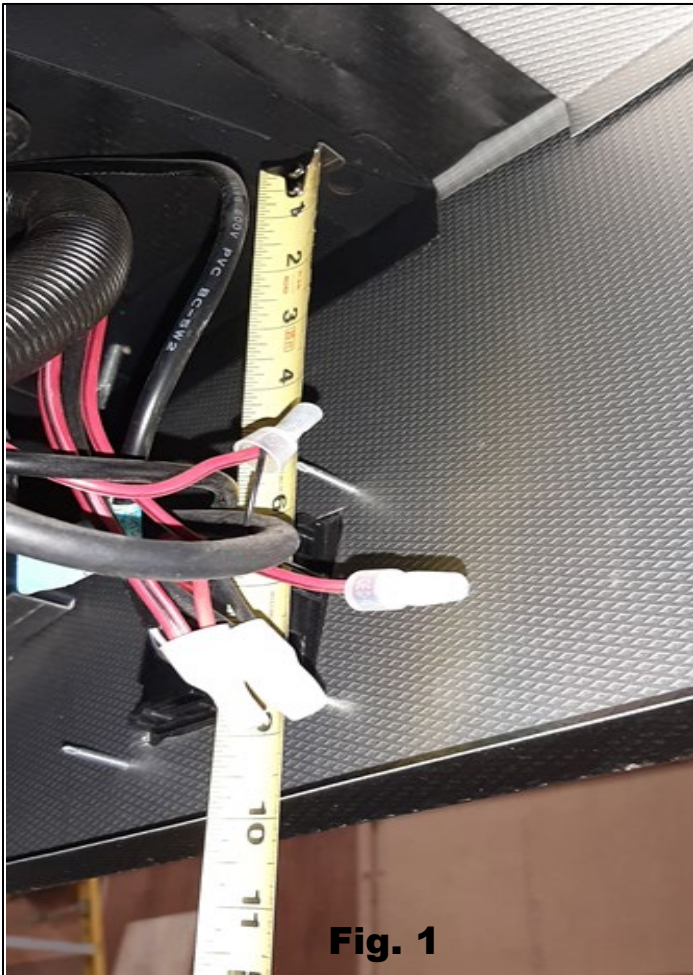


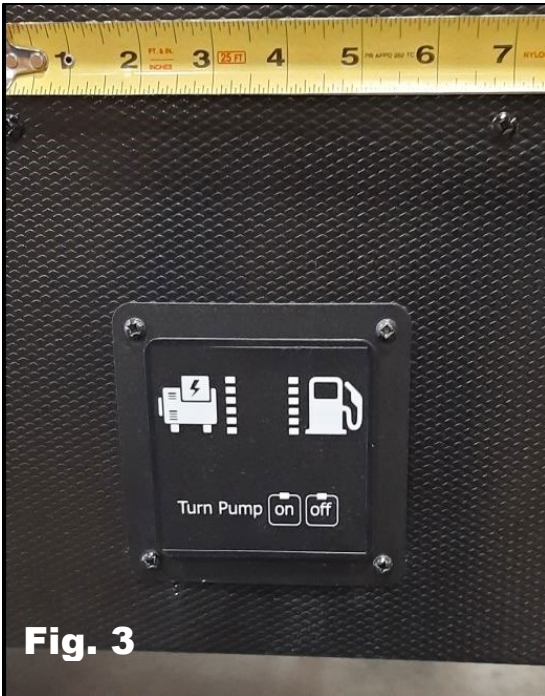
Fig. 1



Fig. 2

Step 3

Obtain KRV # 270590 - Box - Drain Cover - 7.5" x 12" x 2.75" (cover). Measure between the bottom of the metal skirting and the floor. See Figure 1. Cut the cover from 12" down to 8" or 9" depending on the model. There needs to be enough room between the main floor and the top of the cover for wiring to enter. Drill at least two holes in the bottom of the cover for drainage. See Figure 2.

**Fig. 3****Step 4**

Remove the bottom two screws from the face of the fuel pump controller and center the cover over the back side of the fuel pump controller. Reinstall the bottom two screws into the mounting flange of the cover protecting the back side of the fuel pump controller. See figure 2. Using a 1/8" drill bit, place a hole in the mounting flange about 3/4 of the way up on each side of the box into the metal skirting. If there are safety stickers mounted on the fender skirt, try to go above or below them. If you only have access to the mounting flange on one side, drill a hole about 3/4 of the way up on that side. Go to the outside of the metal skirting and drill the second hole approximately 7" perpendicular to the first hole to hit the other flange. Add a 1" screw into both of the drilled holes. See Figure 3.

Step 5

Using expandable foam, seal the top of the plastic cover covering the back side of the controller as seen in Figure 2.

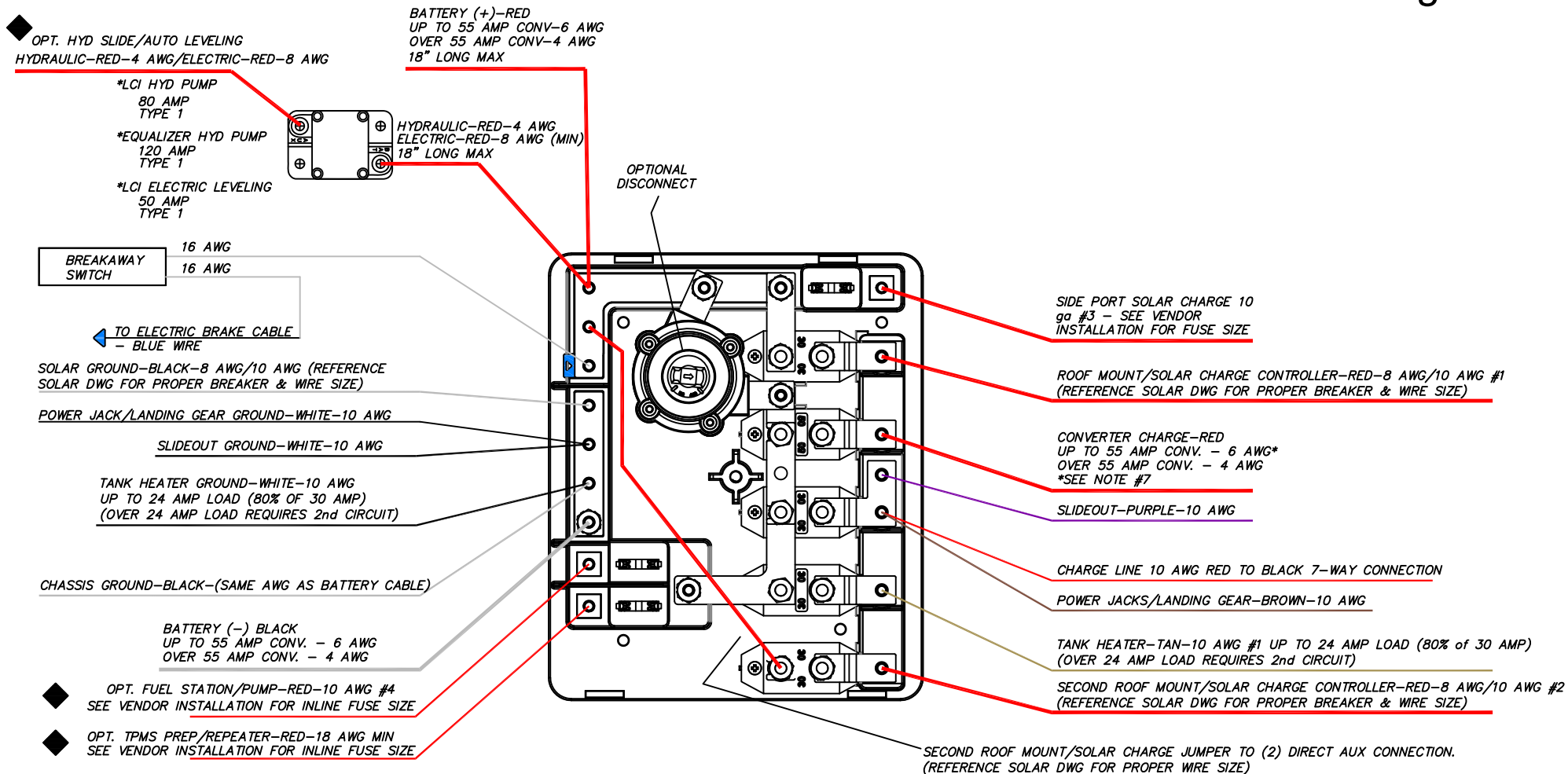
Step 6

Check wiring for proper circuit protection at 12VDC mini breakers, these are located close to the battery. The fuel controller must be protected by a 15 amp ATC blade fuse. Using the figures below check all circuits coming off the mini breakers for proper protection. Circuit protection may be found in one of the following arrangements:

- Attached to a mini breaker inside a 12VDC distribution panel within a couple of feet of the battery to an accessory fuse, make sure the fuse is a 15 amp ATC blade fuse. If it does not already have a 15 amp ATC fuse protecting the circuit, add KRV# 696343- Fuse - Holder - 15 Amp - 10 Ga - W/P - w/15 Amp Fuse - Optifuse - LPR-03BL - 10BL - 15A - DC - Blue. See Figures 4 and 5 for typical fifth wheel and travel trailer 12VDC distribution boxes.
- Attached to a mini breaker with an inline fuse that is 20 amps or 15 amps. Change any 20 amp fuses to a 15 amp ATC fuse for the fuel controller circuit. See Figure 6.
- Attached to a configuration of mini breakers, either to the mini breaker or power buss bar. Install KRV # 696343- Fuse - Holder - 15 Amp - 10 Ga - W/P - w/15 Amp Fuse - Optifuse - LPR-03BL - 10BL - 15A - DC - Blue or similar part from stock. See Figure 6.

Note: In regards to the fuel controller wiring there are several red wires attached to the mini breakers. Test to make sure that you have the correct one by disconnecting the 10 gauge red wire and then testing the function of the fuel controller. The green lights will not light up on the controller if the power is properly disconnected.

Fig. 4



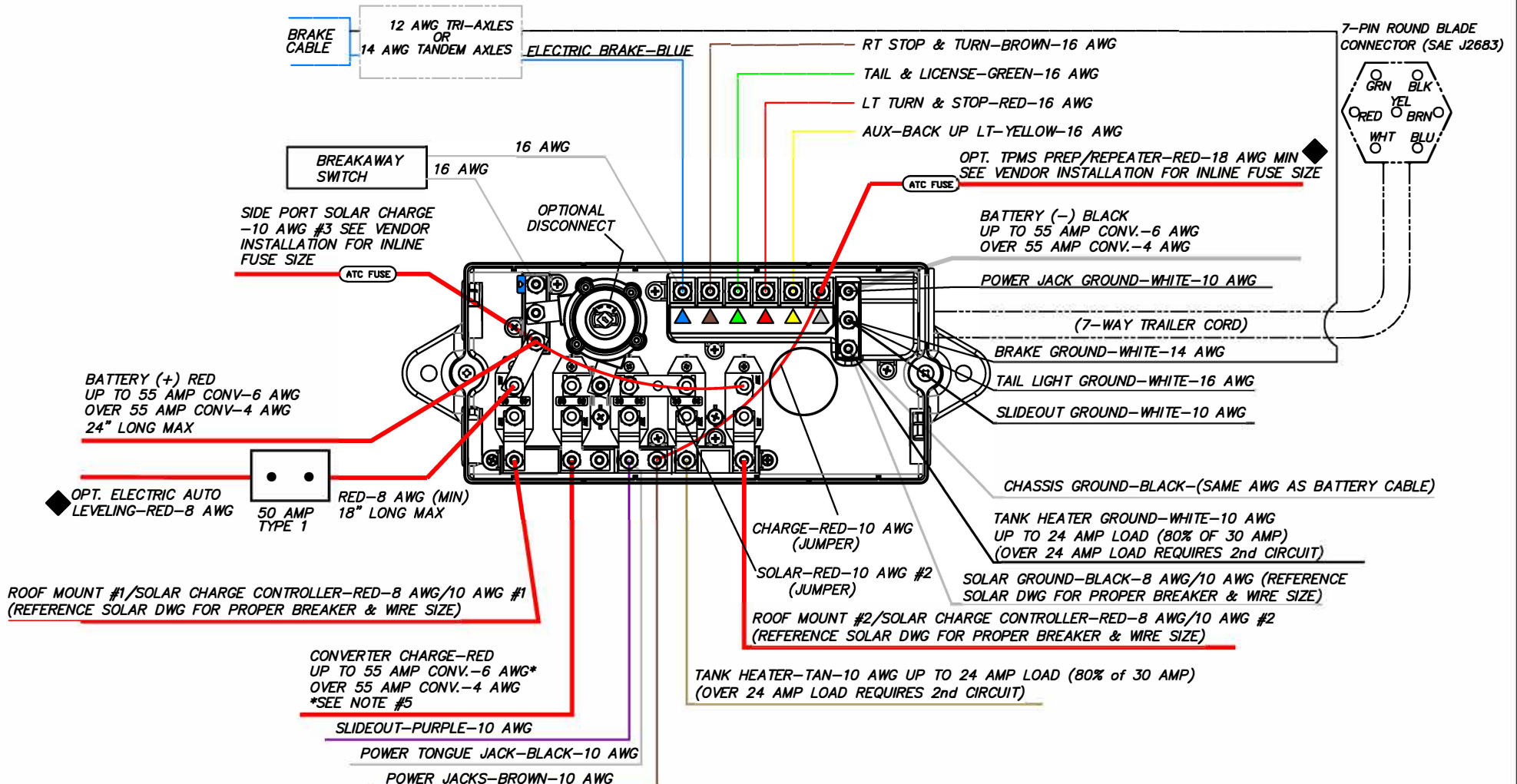
- NOTES:
1. SOME GROUNDS MAY TERMINATE AT CHASSIS GROUND LUG
 2. BREAKERS MAY VARY BY PRODUCT & OPTIONS
 3. DRAWING SHOWN WITH ALL OPTIONS
 4. ALL SOLAR CHARGE CIRCUITS MUST TERMINATE ON BATT. SIDE OF DISCONNECT
 5. HIGH CURRENT BREAKERS, SUCH AS INVERTER & HYDRAULIC PUMP, TO BE INSTALLED SEPARATELY
 6. AUXILIARY #5 TO BE LEFT UNUSED
 7. CONVERTER CHARGE LINE TO BE 4 AWG WHEN USING 12 VOLT REFER

D	ADD OPT. FUEL PUMP & TPMS, ADD EXT. LEVELING BREAKER	115639	3/22/23
C	ADD NOTE #7 REGARDING 12 volt REFER WIRING	106076	12/2/21
B	ADD SOLAR CHARGE WIRE # TO PRINT	104601	6/10/21
REV	DESCRIPTION	PCN #	DATE



PRODUCT: -		12 VDC BREAKER BOX (FW)	
DATE: 1/26/21		TITLE: DUAL SOLAR ROOF DOCK PORT	
BY: JB	MODEL: ALL	MY: 18	

Fig. 5

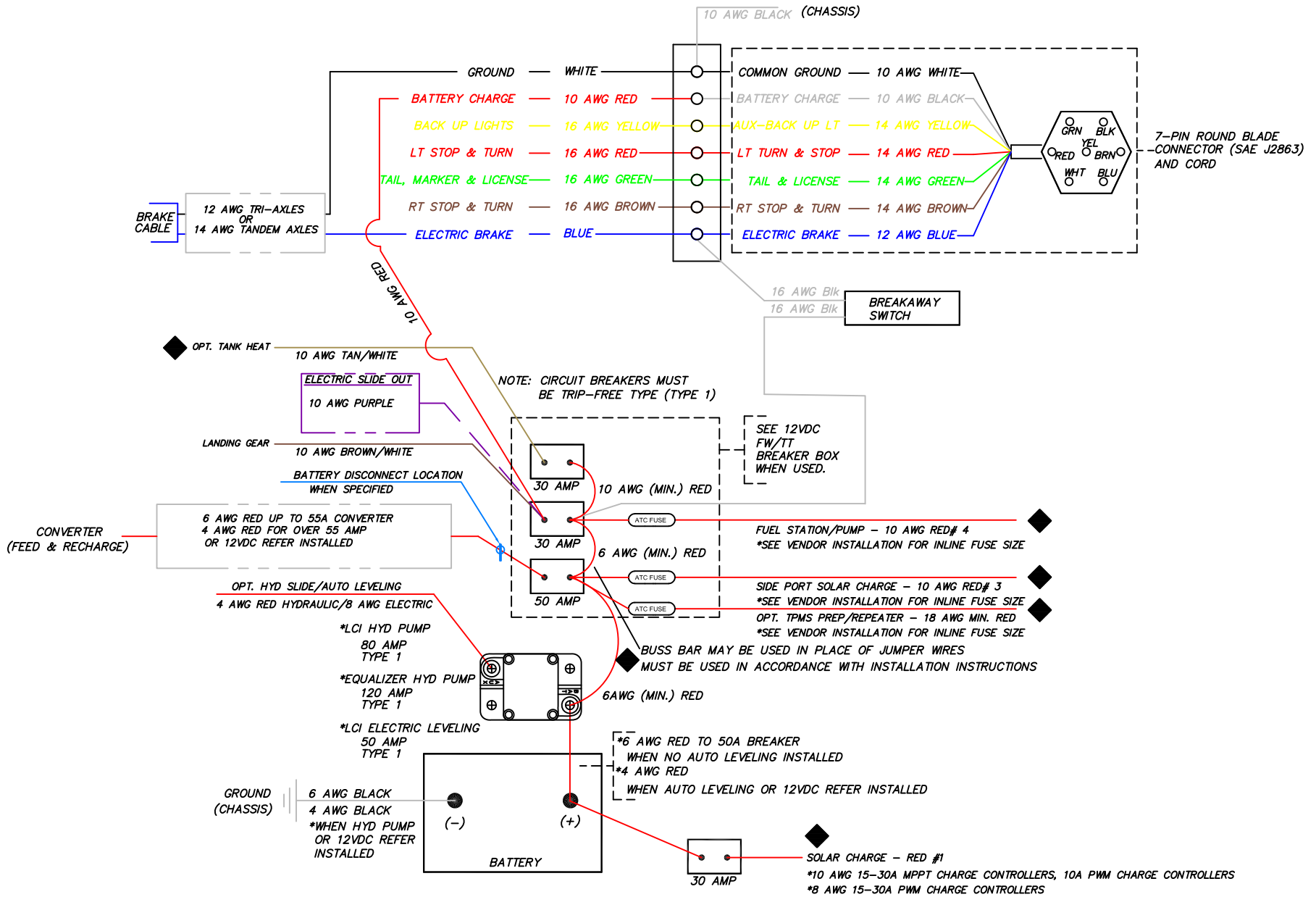


- NOTES:**
1. SOME GROUNDS MAY TERMINATE AT CHASSIS GROUND LUG
 2. BREAKERS MAY VARY BY PRODUCT & OPTIONS
 3. DRAWING SHOWN WITH ALL OPTIONS
 4. ALL SOLAR CHARGE CIRCUITS MUST TERMINATE ON BATT. SIDE OF DISCONNECT
 5. CONVERTER CHARGE LINE TO BE 4 AWG WHEN USING 12 VOLT REFER

F	ADD TPMS, ADD EXT. LEVELING BREAKER	115639	3/22/23		PRODUCT: -	TITLE: 12 VDC BREAKER BOX (TT) 7-WAY TRAILER CORD		
E	ADD NOTE #5 REGARDING 12 VOLT REFER WIRING	106076	12/2/21		DATE: 5/12/20	BY::JB	MODEL: ALL	MY: 18
D	ADD SHEET (DUAL DOCK PORT), ADD SOLAR CHARGE WIRE # TO PRINT	104601	6/10/21					
REV	DESCRIPTION	PCN #	DATE					
THIS DRAWING AND THE INFORMATION CONTAINED THEREON ARE THE EXCLUSIVE PROPERTY OF KEYSTONE RV. ANY REPRODUCTION WITHOUT THE EXPRESS WRITTEN CONSENT OF KEYSTONE RV IS PROHIBITED. ALL RIGHTS RESERVED.								
						SHEET	2 OF 3	

Fig.6

ELECTRICAL WIRING - 7 -WAY TRAILER PLUG (SAE J2863) & 12 VDC HIGH CURRENT BREAKERS



E	REVISED FOR ADDITIONAL EQUIPMENT & DETAIL	115639	3/22/23		PRODUCT: MANY	TITLE: 7-WAY CORD & H.C. 12 VDC BREAKERS		
D	REVISED FOR 50A BREAKERS FOR LCI ELECTRONIC LEVELING	112213	5/16/22		DATE: 5/16/22	BY: JB	MODEL: ALL	MY: 21
C	REVISED FOR 80A/120A BREAKERS FOR HYD PUMP CIRCUIT	x	6/25/20					
REV	DESCRIPTION	PCN #	DATE					
THIS DRAWING AND THE INFORMATION CONTAINED THEREON ARE THE EXCLUSIVE PROPERTY OF KEYSTONE RV. ANY REPRODUCTION WITHOUT THE EXPRESS WRITTEN CONSENT OF KEYSTONE RV IS PROHIBITED. ALL RIGHTS RESERVED.								
						SHEET	1 OF 1	

Step 7

Test the function of the fuel controller. Pull the 15 amp fuse to verify that the controller is properly connected to the protected circuit. Proceed to warranty reimbursement.

WARRANTY REIMBURSEMENT**REPAIR**

Submit a Pre-Authorization request with pictures then claim on Key Express using **Flat Rate Code # 7143942A**

In the Complaint section note: Safety Advisory # 23-439

In the Cause section note: Safety Advisory # 23-439

In the Correction section note: Installed cover for fuel controller. And pick one of the following: Installed 15 amp fuse or Inspected fuse protection and it was correct.

The amount of time authorized for this repair is **1.0 hour**.

PARTS DISPOSITION

No return parts.

Please call Keystone RV Customer Service at **866-273-1452** if you have any questions.