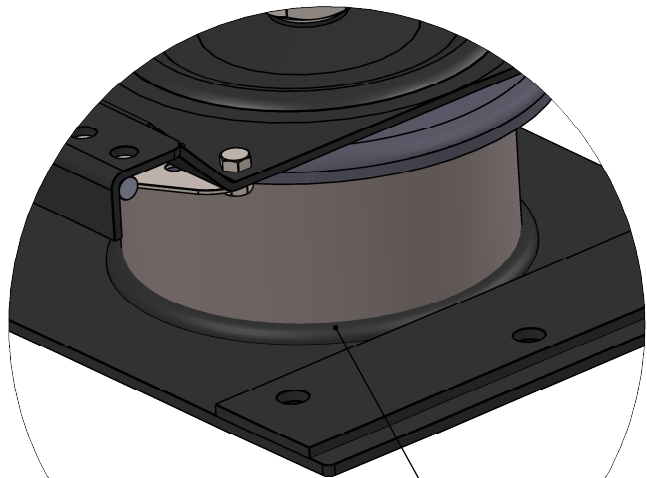


4

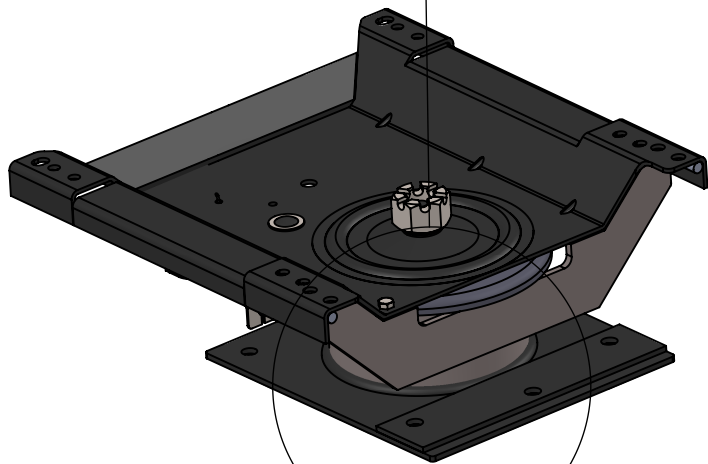
3

2

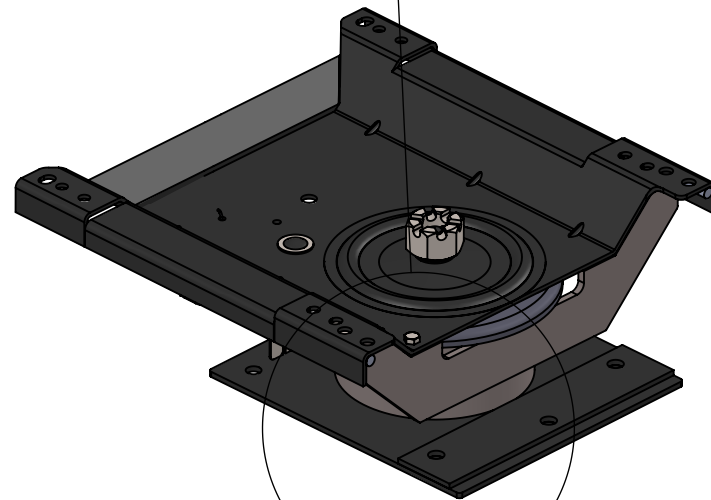
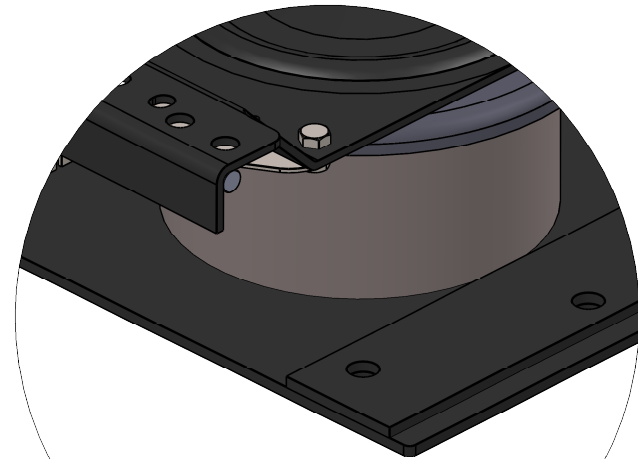
1



PEDESTAL WELD
CHORD AROUND
CYLINDER IS 1/2



CORRECT WELD BEAD



WRONG



13760 Midway
Street
Cerritos CA
90703

TEL 562-404-8111
Fax 562-404-7781

TITLE:

ABTS PEDESTAL ASSEMBLY

THIS DRAWING IS THE PROPERTY OF VILLA INTERNATIONAL MFG. ALL RIGHT RESERVED

DWG NUMBER
100025

MATERIAL:

DRAWN BY:
E. SALAS

TREATMENT:

RELEASE DATE:
02/01/2024

CONF/PART NO.
-4

FINISH:

SCALE:
1:1

SCALE:

SHEET:
17 of 72

UNLESS OTHERWISE SPECIFIED, DIMENSIONS ARE IN
INCHES AND TOLERANCES ARE AS FOLLOWS:
3 PLACES ± 0.0425 FRACTIONS ± 1/16
2 PLACES ± 0.125 ANGULAR ± 1°
1 PLACE ± 0.25

DO NOT SCALE DRAWING

DATE	CHG	DESCRIPTION	NAME

REVISIONS

4

3

2

1