



SIB 52 10 22

2023-01-09

RECALL 22V-942: CHECK THE DRIVERS SEAT BACKREST FRAME SCREWS

This Service Information Bulletin (Revision 1) replaces SI B52 10 22 **dated December 2022**.

What's New (Specific text highlighted):

- G06 no longer affected; removed from Model
- Procedure clarification

Please perform the procedure outlined in this Service Information on all affected vehicles before customer delivery. In the event the customer has already taken delivery of the vehicle, please perform the procedure the next time the vehicle is in the shop.

| | |
|-------------------------------------|--------------------------------|
| <input checked="" type="checkbox"/> | THIS REPAIR IS MOBILE FRIENDLY |
|-------------------------------------|--------------------------------|

MODEL

| E-Series | Model Description | Production Date |
|----------|----------------------------------|--|
| G05 | X5 Sports Activity Vehicle (SAV) | Produced between November 4 and November 30, 2022. |

SITUATION

BMW AG is conducting a Voluntary Safety Recall (effective December 9, 2022) on a small number of Model Year 2023 BMW X5 vehicles that were produced between November 4, 2022, and November 30, 2022.

The Recall Notice has been attached for further information.

AFFECTED VEHICLES

Vehicles which require this campaign to be completed will show it as "Open" when checked either in AIR, AWP, Campaign Summary, or Warranty Vehicle Inquiry.

CAUSE

The backrest frame of the front seat is attached to the left and right seat frames with two screws each.

One or two screws may not have been fully tightened on the left front seat of the affected vehicles. It cannot be ruled out that the screw(s) on the seat back may come loose during prolonged use of the vehicle.

CORRECTION

Check the backrest frame screw connection on the left front seat and rework if necessary.

Note: The right front seat is not affected and does not need to be checked.

PROCEDURE

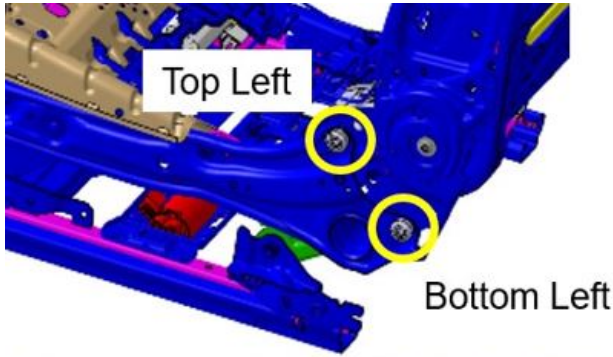
Check the screw(s) listed to ensure it is tight.

To do this, follow the repair instructions:

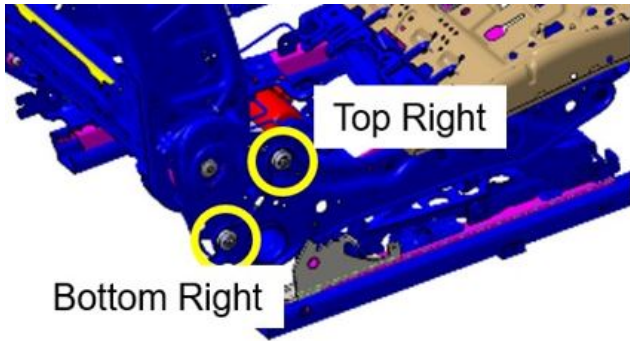
- 52 14 040 Outer cover on the left front seat...
- or
- 52 14 041 Left front seat inner cover...

Attention: The screws on the backrest frame must not be tightened since they have lock sealant on the threads (screw lock)!

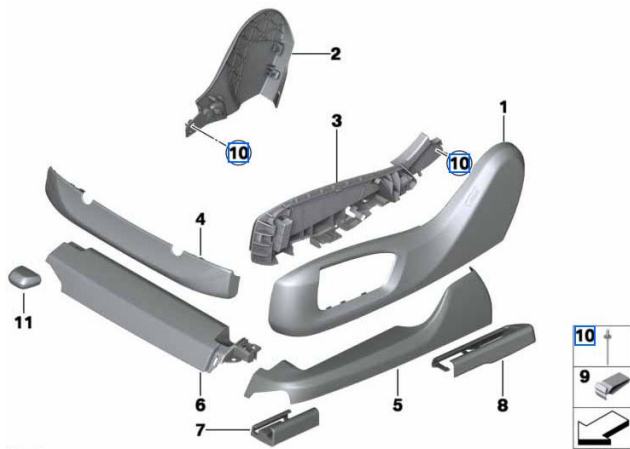
If the affected screw (s) are missing or not properly fastened, they must be replaced.



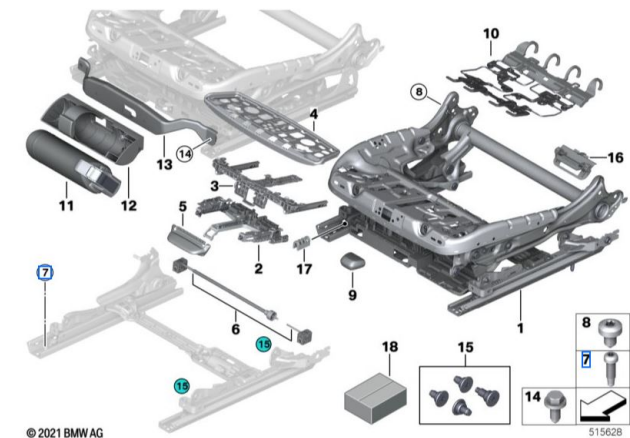
Check both outer seat backrest retainer screws. If the screw is found loose then it must be replaced (9908419 Countersunk screw - M10x16).



Check both inner seat backrest retainer screws. If the screw is found loose then it must be replaced (9908419 Countersunk screw - M10x16).



Seat plastic covers are held by blind rivets which may have to be replaced for access (7042164 blind rivet).



Seat rail mounting screws must be replaced once seat has been removed (9321690 Fillister head screw - Qty 4).

If the seat has been removed from the vehicle the safety belt mounting screw must be replaced (9909471 screw).



PARTS INFORMATION

Only use and invoice the applicable part numbers listed below that apply.

| Part Number | Description | Quantity |
|---------------|---|-----------|
| 07 11 9908419 | Countersunk screw (M10x16-8) | If needed |
| 52 10 7042164 | Blind rivet | If needed |
| And: | | |
| 07 14 9321690 | Fillister head screw (M10x28) Seat Frame mounting | 4 |
| 72 11 9909471 | Screw (M10x16) Seat Belt lower anchor | 1 |

Other small parts, such as screws, nuts, and gaskets, which are to be replaced based on the ISTA repair manual, must be selected from ETK in accordance with the respective vehicle type and billed under the special report number.

The parts to be replaced as part of a technical action are generally not subject to the TeileClearing process.

CLAIM INFORMATION

Reimbursement for this Recall will be via normal claim entry utilizing the applicable work package information below and the part numbers listed above that apply:

| | | |
|---------------------|-------------------|-----|
| Defect Code: | 0052080200 | --- |
|---------------------|-------------------|-----|

Completion before the first vehicle delivery to a customer or the vehicle is already in the workshop

| Work Pkg | Labor Operation | Description (Plus work) | Labor Allowance |
|----------|-----------------|---|-----------------|
| # 1 | 00 73 779 | Checking the bolting of the backrest frame on the outer left front seat , reworking if necessary | 3 FRU |
| Or: | | | |

| | | | |
|-----|-----------|---|--------|
| # 2 | 00 73 780 | Checking the bolting of the backrest frame on the inner left front seat , reworking if necessary | 10 FRU |
|-----|-----------|---|--------|

Or:

The vehicle arrives at your center and this Recall shows open (No other Main work will be performed or claimed during this workshop visit)

| Work Pkg | Labor Operation | Description (Main work) | Labor Allowance |
|----------|-----------------|---|-------------------------------------|
| # 3 | 00 73 198 | Checking the bolting of the backrest frame on the outer left front seat , reworking if necessary | 5 FRU |
| Or: | | | |
| # 4 | 00 73 199 | Checking the bolting of the backrest frame on the inner left front seat , reworking if necessary | 11 FRU; 12 FRU (X5 xDrive45e) |

Only one of the flat rate labor operation codes listed above can be used for claim submission and reimbursement. Also, only one Main work flat rate labor operation code can be claimed per workshop visit.

Claim Repair Comments

Only reference the SIB number and the work package (Pkg) number performed in the RO technician notes and the claim comments (For example: B52 10 22 WP 1), unless otherwise required by State law.

Alternative Mobility Solution (AMS) for Vehicle Owners (RO and Claim Comments Required)

This Recall repair qualifies for Alternative Mobility Solution (AMS) expense reimbursement, claim this item under the Defect Code noted above as follows:

Sublet Code 2 - Itemize the AMS sublet amount on the repair order and in the claim comment section.

Please refer to SI B01 29 16 for additional information.

Reimbursement of Prior Customer-Pay Repairs (TREAD Act)

Based on the issue and the age of the Affected Vehicles being addressed by this Safety Recall Campaign, a reimbursement request for a qualifying prior customer-pay repair is not likely.

However, if you receive a reimbursement request from a customer for a prior repair that may qualify, please contact the Warranty department (include a legible copy of the invoice) through IDS by selecting Coverage, Policy, Coding Questions and Mileage Corrections. The Warranty department will review and respond to your inquiry accordingly.

FEEDBACK REGARDING THIS BULLETIN

| | |
|--------------------|---|
| Technical Feedback | To submit feedback for the technical topics of this bulletin: Submit your feedback in the rating box at the top of this bulletin |
| Warranty Feedback | To submit feedback for the CLAIMS section of this bulletin: Submit an IDS ticket to the Warranty Department, or use the chat available in the Warranty Documentation Portal |
| Parts Feedback | To submit feedback for the PARTS section of this bulletin: Submit an IDS ticket to the Parts Department |

Supporting Materials

Copyright ©2023 BMW of North America, Inc.

[picture_as_pdf B521022 Recall Notice.pdf](#)

SAFETY RECALL NOTICE

To: All Center Operators, Sales Managers, Service Managers, Parts Managers and Warranty Processors

RE: Recall 22V-942: Front Seat Backrest – B52 10 22

BMW AG is conducting a Voluntary Safety Recall (effective December 9, 2022) on a small number of Model Year 2023 BMW X5 vehicles that were produced between November 4, 2022 and November 30, 2022.

Please be reminded that it is a violation of federal law (The Safety Act) for you to sell, lease or deliver any new motor vehicle covered by this notification until the recall repair has been performed. This means that Centers may not legally deliver new motor vehicles to consumers until they are fixed or use/sell replacement equipment/parts subject to this recall. Note also that substantial civil penalties apply to violations of the Safety Act.

Also, you should not sell, lease or deliver any Certified Pre-Owned or used vehicles subject to a safety recall until the repair is completed.

Please follow any special instructions that we provide to you for the return or disposition of recall parts.

We appreciate all your assistance with this Recall.