



VOLUNTARY RECALL CAMPAIGN

Classification: EL22-016A	Reference: NTB23-007A	Date: January 20, 2023
------------------------------	--------------------------	---------------------------

VOLUNTARY SAFETY RECALL CAMPAIGN 2017 ROGUE; WIRE HARNESS CONNECTOR CORROSION

This bulletin has been amended. See AMENDMENT HISTORY on the last page.
Please discard previous versions of this bulletin.

CAMPAIGN ID #: PC934
APPLIED VEHICLES: 2017 Rogue (T32)

**Check Service COMM or Dealer Business Systems (DBS)
National Service History to confirm campaign eligibility.**

INTRODUCTION

Nissan is conducting this voluntary safety recall campaign, on certain specific model year 2017 Rogue vehicles, to inspect and, if necessary, replace the Main Wire Harness M74 to Body Wire Harness B42 connector. This service will be performed at no charge to the customer for parts or labor.

IDENTIFICATION NUMBER

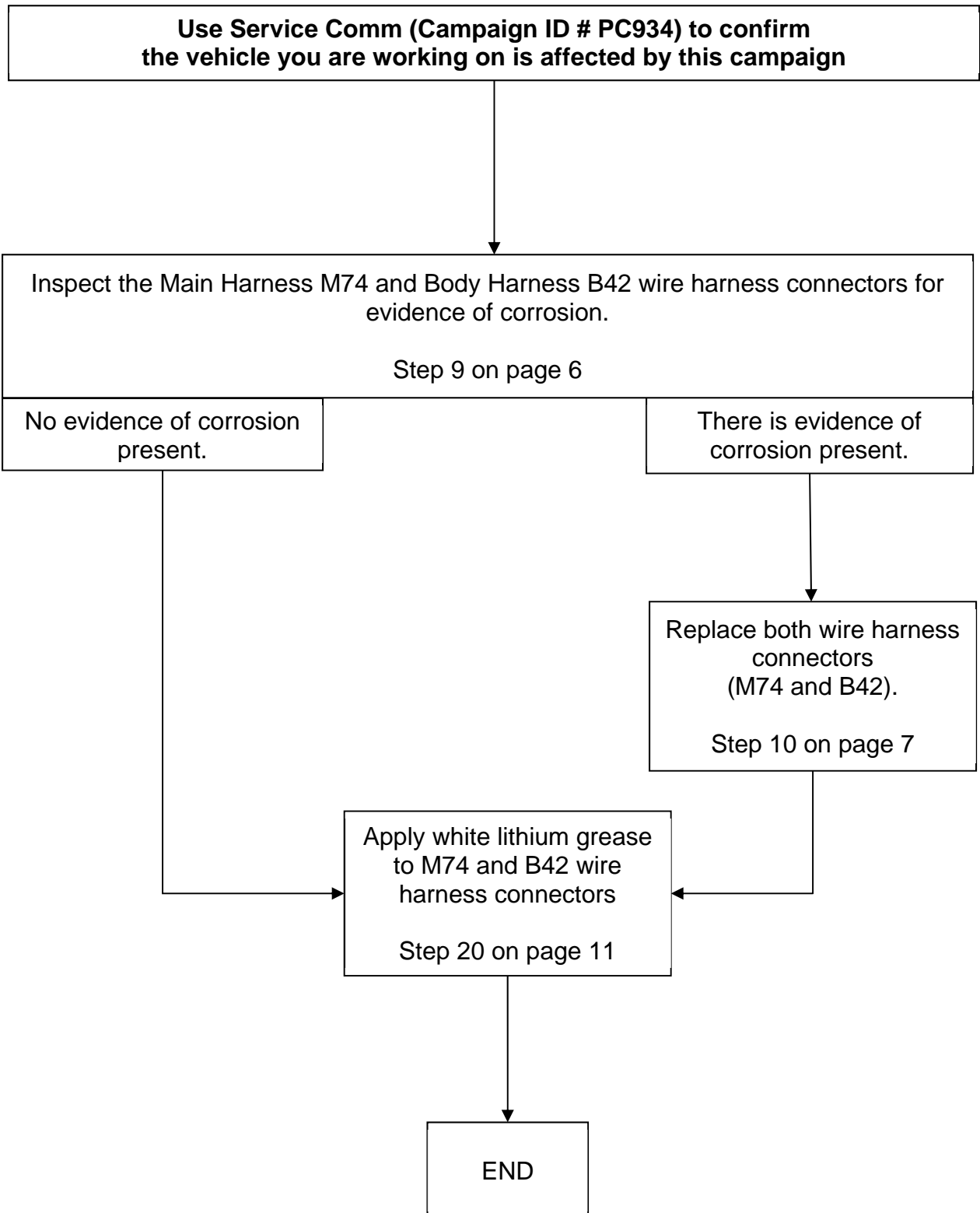
Nissan has assigned identification number PC934 to this campaign. This number must appear on all communication and documentation of any nature dealing with this campaign.

DEALER RESPONSIBILITY

It is the dealer's responsibility to check Service COMM or Dealer Business Systems (DBS) National Service History for the campaign status on each vehicle falling within the range of this voluntary safety recall which for any reason enters the service department. This includes vehicles purchased from private parties or presented by transient (tourist) owners and vehicles in a dealer's inventory. **Federal law requires that new vehicles in dealer inventory which are the subject of a safety recall must be corrected prior to sale. Failure to do so can result in civil penalties by the National Highway Traffic Safety Administration.** While federal law applies only to new vehicles, Nissan strongly encourages dealers to correct any used vehicles in their inventory before they are retailed.

Nissan Bulletins are intended for use by qualified technicians, not 'do-it-yourselfers'. Qualified technicians are properly trained individuals who have the equipment, tools, safety instruction, and know-how to do a job properly and safely. **NOTE:** If you believe that a described condition may apply to a particular vehicle, DO NOT assume that it does. See your Nissan dealer to determine if this applies to your vehicle.

REPAIR OVERVIEW



IMPORTANT: The purpose of **REPAIR OVERVIEW** (above) is to give you a quick idea of the work you will be performing. You **MUST** closely follow the entire **SERVICE PROCEDURE** as it contains information that is essential to successfully completing this repair.

REQUIRED SPECIAL TOOLS

- Flameless Heat Gun, special tool J-46538.
 - The flameless heat gun is no longer available from Tech•Mate, an equivalent tool may be used.



Figure 1

- Aluminum Crimping Pliers, special tool J-48817-8 (provided in Aluminum Wire Repair Kit J-48817-AL-KIT).
 - New part number for Aluminum Crimping Pliers NI-48817-8 (new part number for Aluminum Wire Repair Kit NI-48817-AL-KIT).

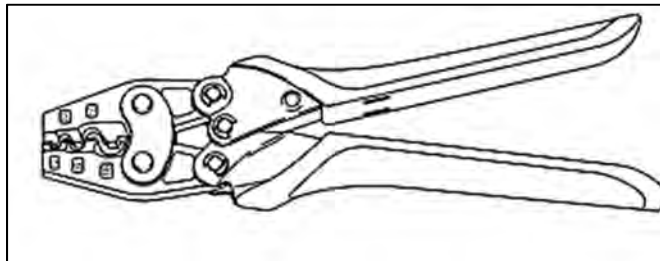


Figure 2

- Terminal Release Tool, special tool J-48817-1.
 - New part number NI-48817-1.

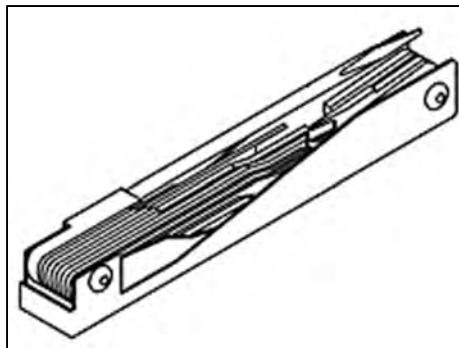


Figure 3

- Additional tools may be purchased from Tech•Mate online: techmatetools.com, or by phone: 1-833-397-3493.

SERVICE PROCEDURE

Inspection

1. Write down the radio settings.

Presets	1	2	3	4	5	6
AM						
FM 1						
FM 2						
XM 1						
XM 2						
XM 3						
Bass	Treble		Balance	Fade	Speed Sen. Vol.	

2. If equipped, write down the customer settings for the ATC (Automatic Temperature Control) system.
3. Turn the ignition OFF.
4. Disconnect the negative battery cable.
5. Remove the driver (LH) side inner front kicking plate.
 - Refer to the ESM: **BODY INTERIOR > INTERIOR > REMOVAL AND INSTALLATION > BODY SIDE TRIM > KICKING PLATE**
6. Remove the driver (LH) side dash side finisher.
 - Refer to the ESM: **BODY INTERIOR > INTERIOR > REMOVAL AND INSTALLATION > BODY SIDE TRIM > DASH SIDE FINISHER**

7. Disconnect the M74 wire harness connector from the B42 wire harness connector.

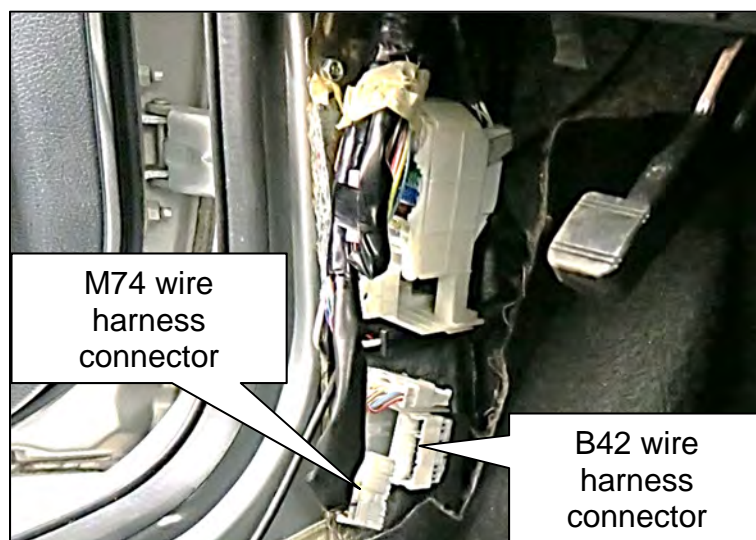


Figure 4

8. Pull the B42 wire harness connector toward the rear of the vehicle to disengage the connector from the connector bracket.

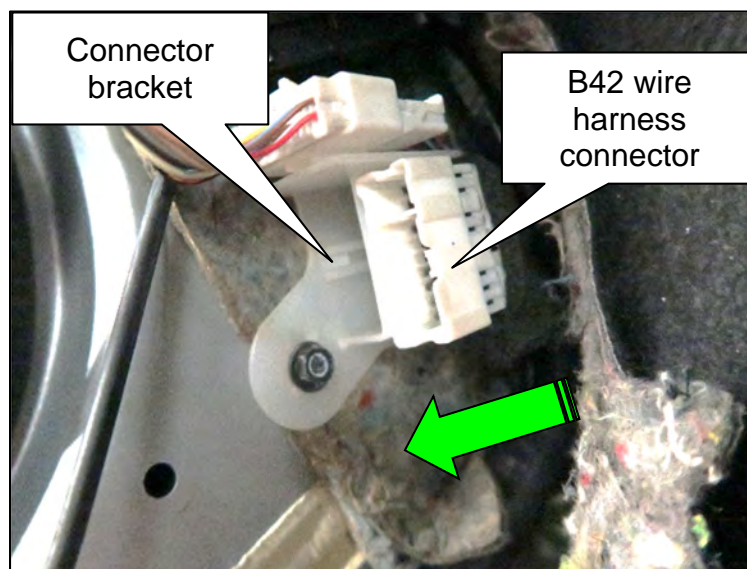


Figure 5

9. Inspect the M74 and B42 wire harness connectors for any signs of corrosion (Figure 6 - Figure 10).
- If signs of corrosion are found, proceed to step 10 on page 7 to replace both M74 and B42 wire harness connectors.
 - If there are no signs of corrosion, skip to step 20 on page 11 to apply white lithium grease to both wire harness connectors.

Examples of Corrosion

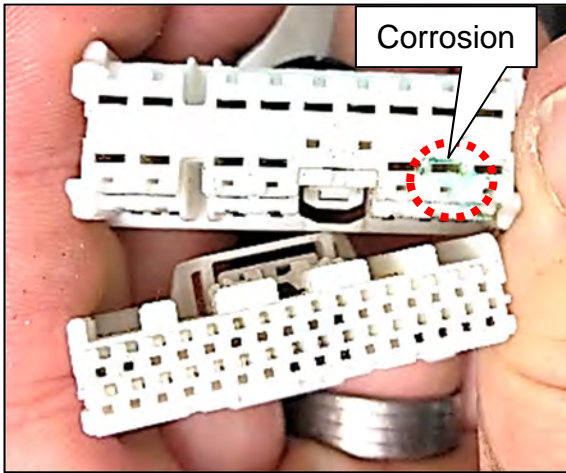


Figure 6

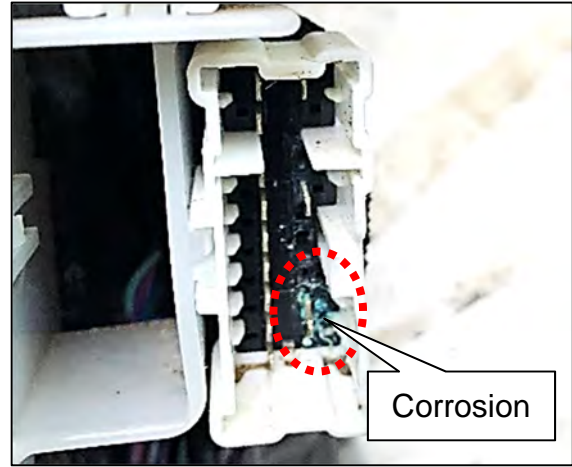


Figure 7

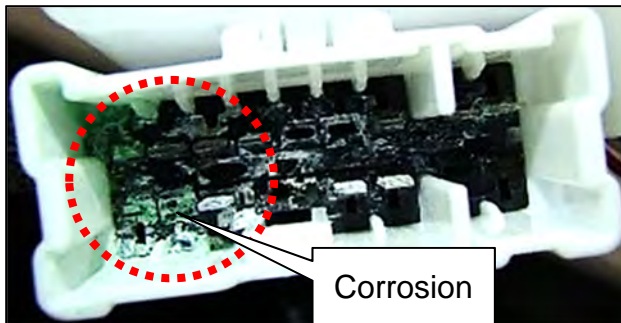


Figure 8

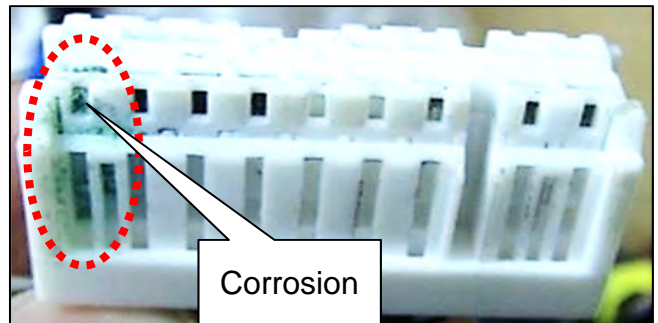


Figure 9

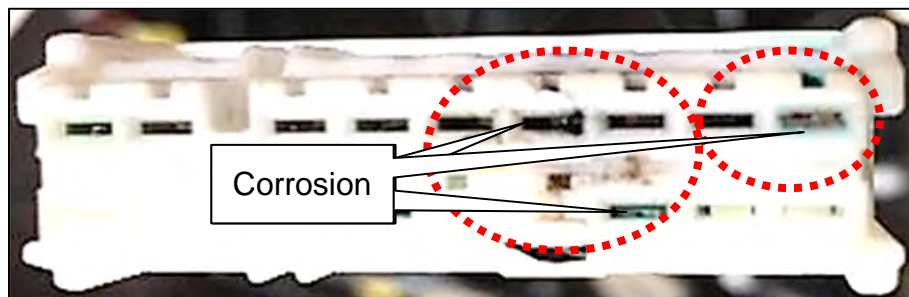


Figure 10

Wire Harness Connector Replacement

10. Remove and discard the foam tape from the B42 wire harness connector to assist with identifying connector pin locations in the original connector.
11. Replace the M74 and B42 wire harness connectors as follows:
 - a. Starting with the M74 wire harness connector, cut and splice in the new wire harness connector, one wire at a time. See **PARTS INFORMATION** on the last page.

IMPORTANT:

- Some vehicles may not utilize all circuits in the replacement connectors.
- The length of the unused wires should be trimmed to an appropriate length and secured to the wire harness branch with electrical tape.
- Be sure to stagger, or offset, each cut wire so that the wire repair terminal crimps are not all in the same area.
- Some of the wire colors on the replacement connector may not match the vehicle's connectors. Be sure to verify the terminal positions are the same between both connectors when splicing in the new wire harness connector.

- b. Use the wire repair terminal crimps and heat shrink provided in the wire harness repair kit to attach all wires.

IMPORTANT:

- Do not use solder sleeves for this repair. The parts provided in the wire harness repair kit must be used.
- Each wire harness repair kit includes two (2) different sized wire repair terminal crimps and two (2) different sizes of heat shrink. Be sure the correct size wire repair terminal crimp and heat shrink is used with the correct sized wire.
- If needed, refer to **Quick Reference for Performing Wire Repairs on Aluminum Wiring** on page 8.

- c. Wrap the wire and heat shrink with electrical tape to prevent water from entering.

IMPORTANT: Do not wrap the electrical tape up the wire harness branch, only apply electrical tape over the wire repair terminal crimp.

- d. Repeat a, b, and c above for all the wires in the M74 and B42 wire harness connectors, and then skip to step 19 on page 10.

Quick Reference for Performing Wire Repairs on Aluminum Wiring

12. Insert the heat shrink (2) over the aluminum wires (1) that will be repaired.
- Strip off 10 mm of the wire insulation and then install the appropriate size wire repair terminal crimp (3).

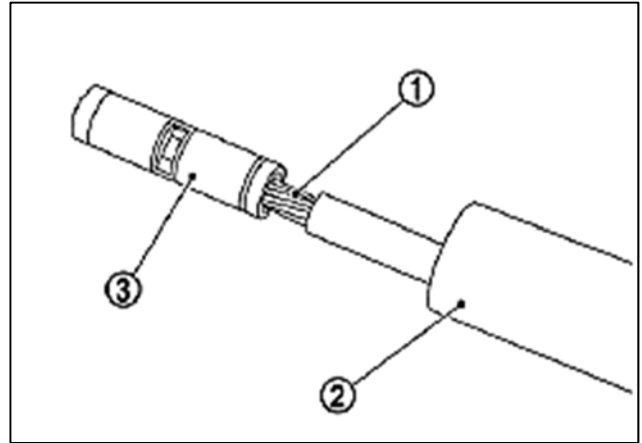


Figure 11

13. Insert the wire repair terminal crimp into the appropriate crimp size of the Aluminum Crimping Pliers, special tool NI-48817-8.

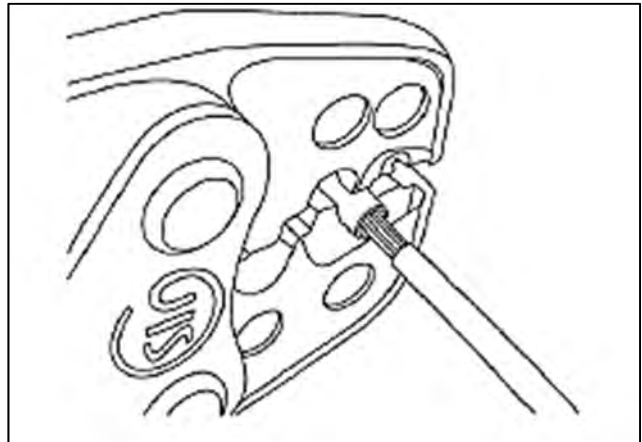


Figure 12

14. Press the handles of the Aluminum Crimping Pliers, special tool NI-48817-8, until the handles are released automatically.

HINT: If the crimping tool handles do not release automatically, the wire repair terminal crimp has not been crimped properly.

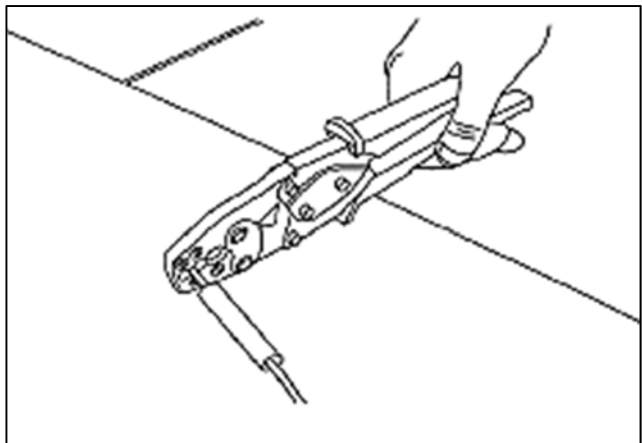


Figure 13

15. After crimping the aluminum wires in the wire repair terminal crimp, make sure that the wires do not come out of the wire repair terminal crimp when pulling on the wires from both sides.

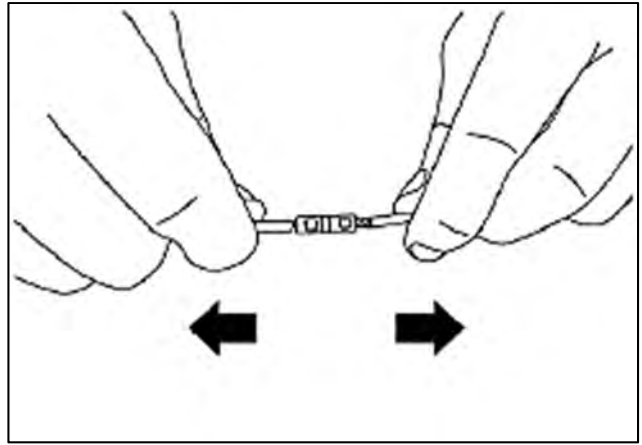


Figure 14

16. Slide the heat shrink over the aluminum crimp and heat the heat shrink using the Flameless Heat Gun, special tool J-46538, or equivalent.

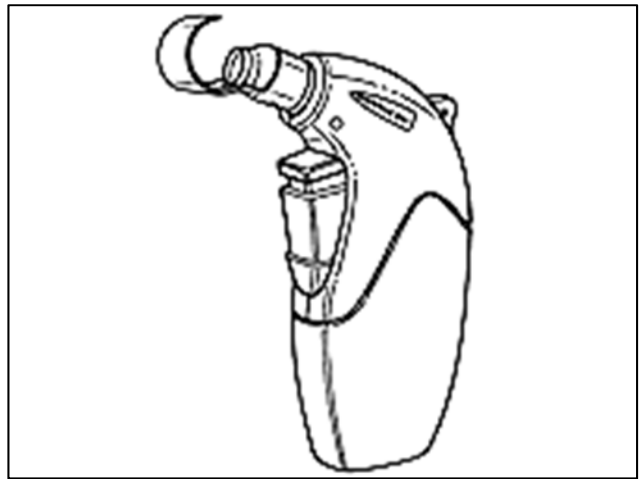


Figure 15

17. After heating the heat shrink, make sure that there are signs of sealant (A) around each edge of the heat shrink.

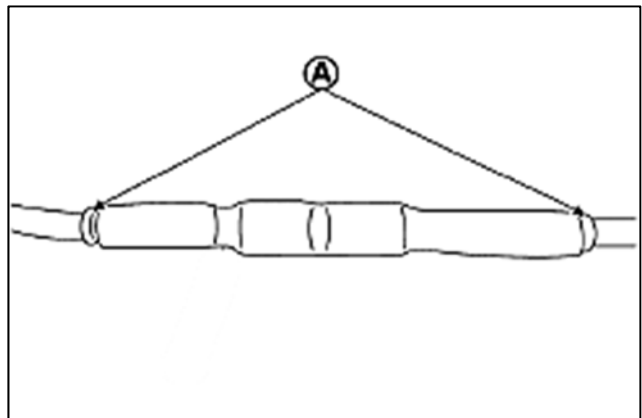


Figure 16

18. Wrap the wire and heat shrink with electrical tape (A) to prevent water from entering.

IMPORTANT: Only apply the electrical tape over the wire repair terminal crimp.

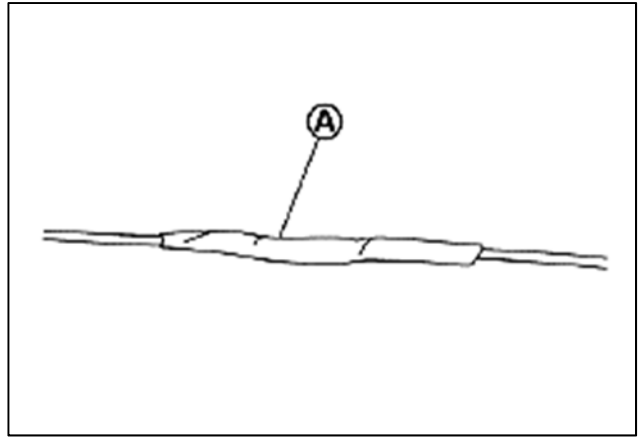


Figure 17

19. Once all of the wires have been connected, secure the wire harness together with electrical tape.

- The length of the unused wires should be trimmed to an appropriate length and secured to the wire harness branch with electrical tape.

IMPORTANT: Do not wrap the electrical tape up the wire harness branch, only apply the electrical tape over the wire repair terminal crimp.



Figure 18

Apply White Lithium Grease to the M74 and B42 Wire Harness Connectors

NOTICE

To avoid damage to the vehicle's interior, be careful not to get grease on any interior components.

20. Using the 04A tool of the Terminal Release Tool, special tool NI-48817-1 (Figure 19), remove the Terminal Position Assurance (TPA) from the B42 wire harness connector.
 - The TPA release is located on the wire harness side of the B42 wire harness connector (Figure 20).

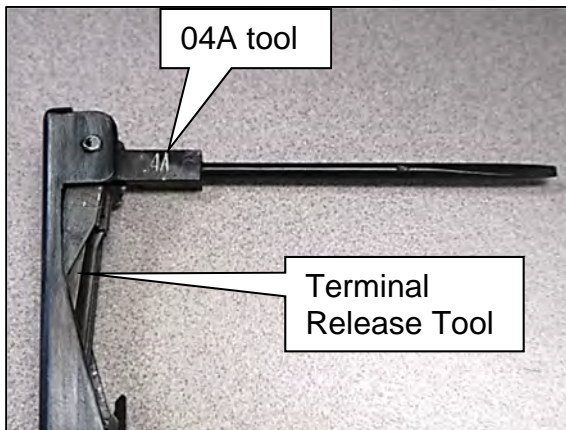


Figure 19

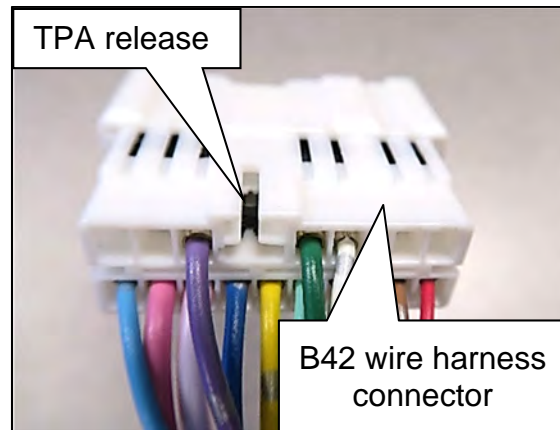


Figure 20

21. Insert the 04A tool into the TPA release, and then push the TPA toward the terminal side of the wire harness connector, as shown in Figure 21.

IMPORTANT: Be careful not to break or damage the TPA, they are not available as an individual part.

HINT: There are two (2) separate retainers that secure the TPA. The first retainer will release, and then the TPA will move forward slightly and stop.

- Continue to push the TPA toward the terminal side of the connector to disengage the second retainer.
- Once both TPA retainers have been released, the TPA can be removed.

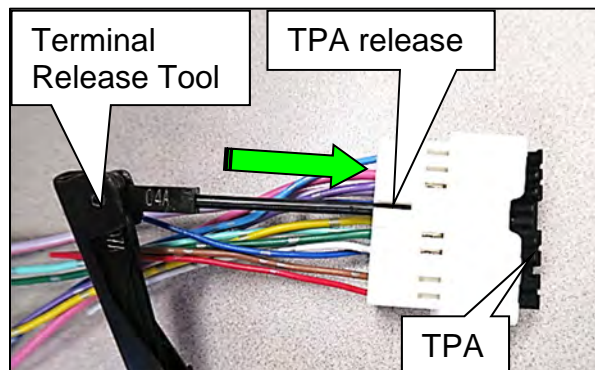


Figure 21

22. Apply white lithium grease to the B42 wire harness connector.
- Apply grease around all sides of all terminals in the connector, making sure the level of the grease comes up to the top of the terminals, as shown in Figure 22.

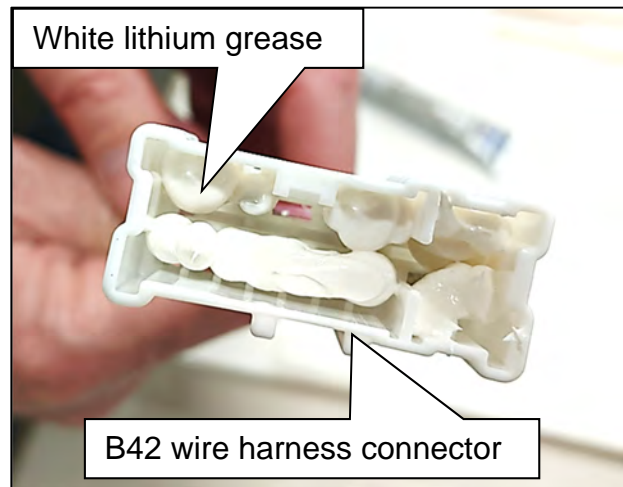


Figure 22

23. Reinstall the TPA into the B42 wire harness connector.
- a. Wrap a shop towel or cloth around the wire harness connector.
 - b. Using a small flat-blade screw driver, carefully push the TPA down until it is fully seated.
 - c. Wipe off the excess grease from the sides of the wire harness connector.

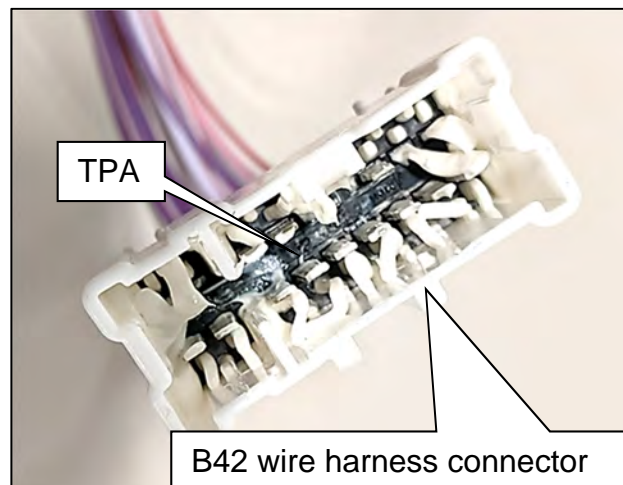


Figure 23

24. Using the 04A tool of the Terminal Release Tool, special tool NI-48817-1, disengage the TPA from the M74 wire harness connector, as shown in Figure 24.
 - a. Carefully pry upward on one of the corners of the TPA to release the first retainer.
 - b. Repeat for the opposite corner.
 - c. Using your hand, carefully pull the TPA straight outward to release the secondary retainer, and then remove the TPA.

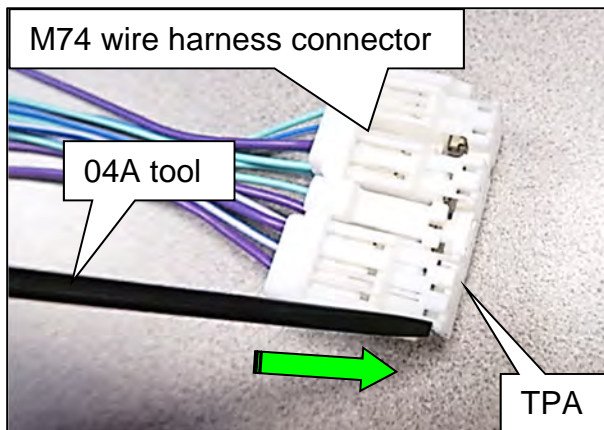


Figure 24

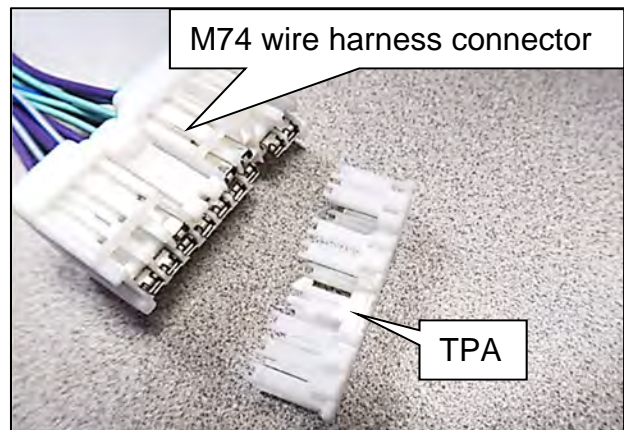


Figure 25

25. Apply white lithium grease to the M74 wire harness connector.
 - Only add enough grease to coat the terminals, as shown in Figure 26.

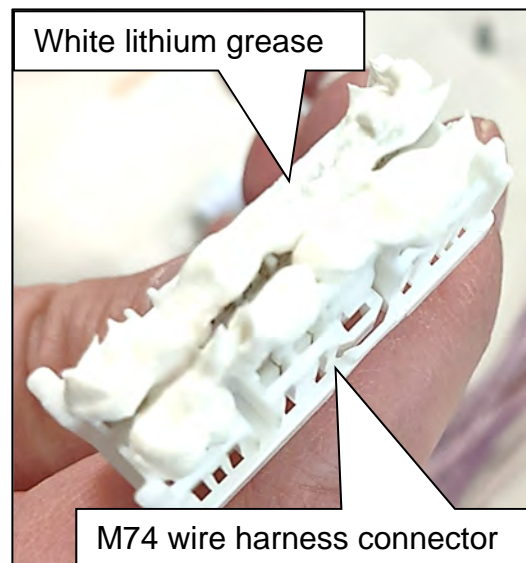


Figure 26

26. Reinstall the TPA into the M74 wire harness connector.
 - a. Wrap a shop towel or cloth around the wire harness connector.
 - b. Position the TPA over the wire harness connector and carefully push it into place.
 - c. Wipe off the excess grease from the sides of the wire harness connector.

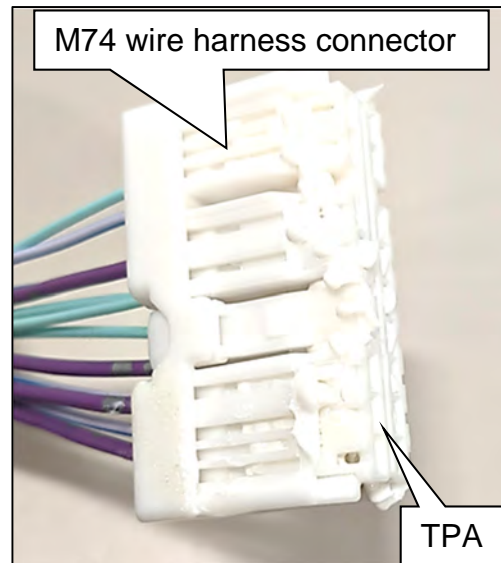


Figure 27

27. Re-connect the M74 wire harness connector to the B42 wire harness connector.
 - Wipe off the excess grease from the sides of the M74/B42 wire harness connectors.
28. Reattach the B42 wire harness connector to the wire harness connector holding bracket.

Vehicle Reassembly

29. Reinstall the dash side finisher.
 - Refer to the ESM: **BODY INTERIOR > INTERIOR > REMOVAL AND INSTALLATION > BODY SIDE TRIM > DASH SIDE FINISHER**
30. Reinstall the inner kicking plate.
 - Refer to the ESM: **BODY INTERIOR > INTERIOR > REMOVAL AND INSTALLATION > BODY SIDE TRIM > KICKING PLATE**
31. Re-connect the negative battery cable.
32. Reset the clock, radio settings, and if equipped, the ATC settings.

33. Initialize the driver's power window as follows:
- a. Turn the ignition ON (keep the transmission in Park and the parking brake applied).
 - b. Close the door.
 - c. Hold DOWN the power window switch to fully open the window.
 - d. Hold UP the power window switch to fully close the window.
 - e. Continue holding the power window switch UP for 3 seconds after the glass stops at fully closed position.
 - f. Check that auto-up function operates normally.

PARTS INFORMATION

DESCRIPTION	PART NUMBER	QUANTITY
KIT – ENGINE ROOM HARNESS	240R2-6RR1A	1
GREASE TUBE	60918-6RR0A (1)	As Needed (2)

- (1) Order this item through the Nissan Maintenance Advantage program: Phone 877-NIS-NMA1 (877-647-6621). Website order via link on the dealer portal; www.NNAnet.com and click on the “Maintenance Advantage-Tire/Battery/Chemical” link.
- (2) One tube of grease will repair up to 10 vehicles.

CLAIMS INFORMATION

Submit a “CM” line claim using the following claims coding:

CAMPAIGN (“CM”) ID	DESCRIPTION	OP CODE	FRT
PC934	Inspect Wire Harness Connectors (OK Condition) and Apply White Lithium Grease	PC9340	0.3
	Inspect and Replace Wire Harness Connectors and Apply White Lithium Grease	PC9341	2.6

EXPENSE CODE

EXPENSE CODE	DESCRIPTION	MAX AMOUNT
015	Grease	\$0.72

AMENDMENT HISTORY

PUBLISHED DATE	REFERENCE	DESCRIPTION
January 19, 2023	NTB23-007	Original bulletin published
January 20, 2023	NTB23-007A	Updated CLAIMS INFORMATION