

SERVICE PROCEDURE

ON ISIS

JAN 20 2023

Compliance Dept

22524 / 22550
JANUARY, 2023

SUBJECT: SAFETY RECALL 22524 Variation 22550
Hex Flange Lock Nut on certain International® LT®,
RH™, and LoneStar® Series trucks built 02/13/2022
thru 08/16/2022.

CUSTOMER LETTER

NOTE: Customer will receive letter indicating Safety Recall 22524, however the recall card will indicate the required repair remedy variation. The proper remedy variation for a specific VIN can be found on the International® Service PortalSM summary tab under OPEN RECALLS.

Print ready (PDF file) copy of the [Customer Letter](#)

DEFECT DESCRIPTION

A specific hex flange lock nut used in several, but not all, steering and / or suspension locations may have not been properly formed and heat treated to Navistar's specifications and can result in a loss of joint tension as the vehicle ages. A loss of joint tension in these joints may affect vehicle handling and could contribute to a vehicle crash.

MODELS INVOLVED

This Safety Recall involves certain International® LT®, RH™, and LoneStar® Series truck models built 02/13/2022 thru 08/16/2022.

ELIGIBILITY

This procedure applies ONLY to vehicles marked in the International® Service PortalSM with Safety Recall 22550. Also complete any other open campaigns listed on the Service Portal at this time.

PARTS INFORMATION

Part Number	Part Description	Quantity
1675448C1	NUT HEXAGON FLGD LOCK 3/4X16UNF-2B	22

VEHICLE RECALL 22550

© 2023 Navistar, Inc. All rights reserved. All marks are trademarks of their respective owners.

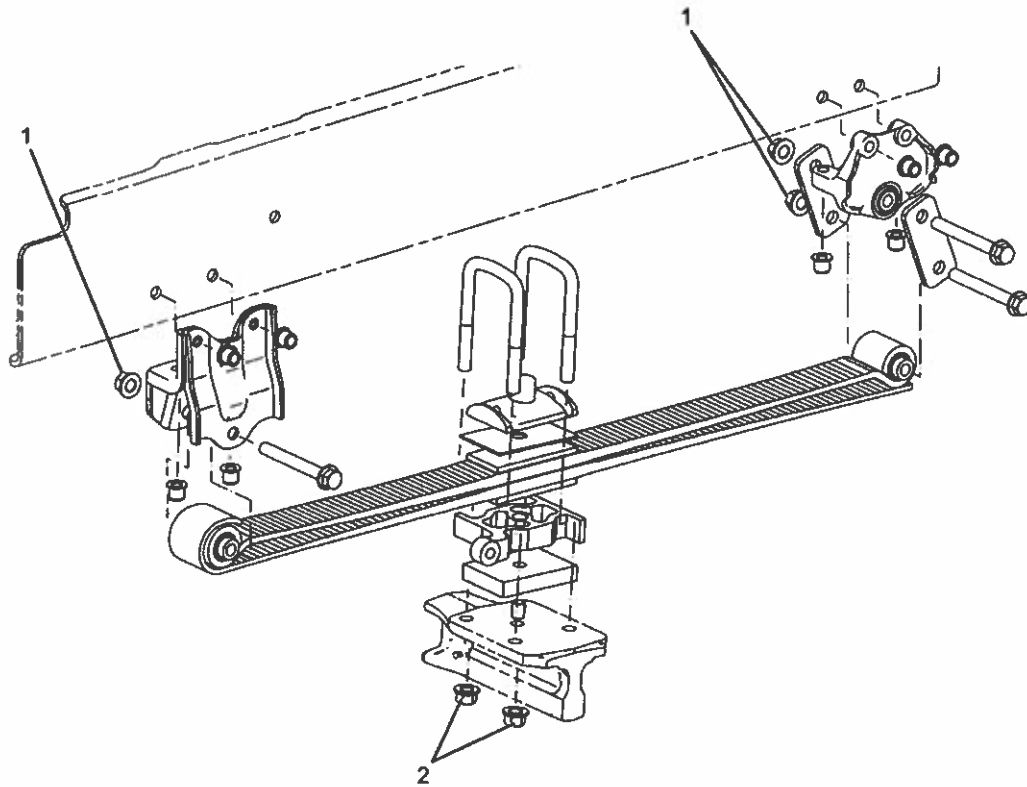
SERVICE PROCEDURE

WARNING! To prevent personal injury and / or death, or damage to property, park vehicle on hard flat surface, turn the engine off, set the parking brake and install wheel chocks to prevent the vehicle from moving in either direction.

WARNING! To prevent personal injury and / or death, or damage to property, if the vehicle must be raised, do not work under the vehicle supported only by jacks. Jacks can slip or fall over.

WARNING! To prevent personal injury and / or death, always wear safe eye protection when performing vehicle maintenance.

1. Park vehicle on flat surface.
2. Shift transmission to Park or Neutral and set parking brake.
3. Turn vehicle ignition to Key OFF position.
4. Install wheel chocks.
5. Unlatch and open hood.
6. Using jack, raise front axle and support vehicle on jack stands.



0000478570

Figure 1. Steer Axle Shackle and U-Bolt

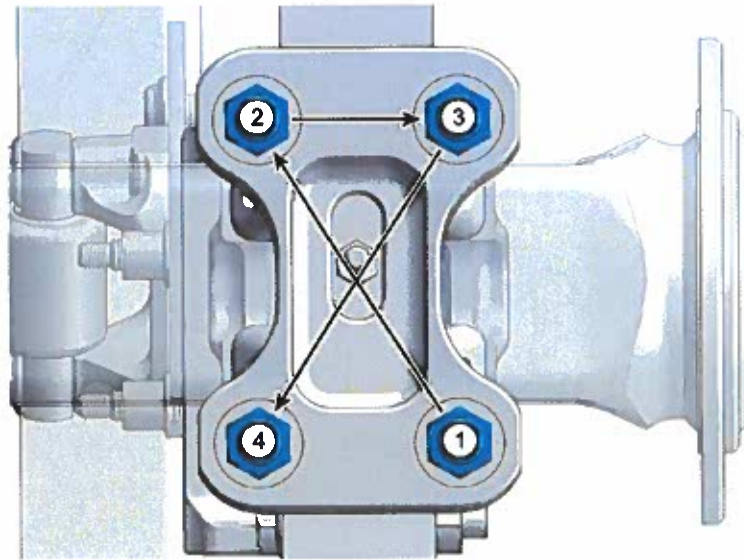
1. Nut (3)
2. U-bolt nut (4, 2 not shown)

WARNING! To prevent personal injury and / or death, or damage to property, if the vehicle must be raised, do not work under the vehicle supported only by jacks. Jacks can slip or fall over.

7. Access nut (Figure 1, Item 1) securing the front steer axle shackle.

NOTE: After installation of each nut, ensure at least one thread is protruding past the top edge of the nut.

8. Remove and replace nuts (Figure 1, Item 1). Using a torque wrench, tighten nuts to 330 - 370 lb-ft (450 - 500 N·m).
9. Repeat Steps 7-8 for the opposite side.



0000400490

Figure 2. U-Bolt Torque Sequence

10. Access nuts securing U-bolt to axle (Figure 1, Item 2).
11. Is vehicle equipped with Hendrickson STEERTEK™ Axle?
 - a) Vehicle equipped with Hendrickson STEERTEK™ Axle. Proceed to Step 12.
 - b) Vehicle NOT equipped with Hendrickson STEERTEK™ Axle. Proceed to Step 13.

NOTE: U-bolt nuts require multiple stages of tightening to ensure proper installation.

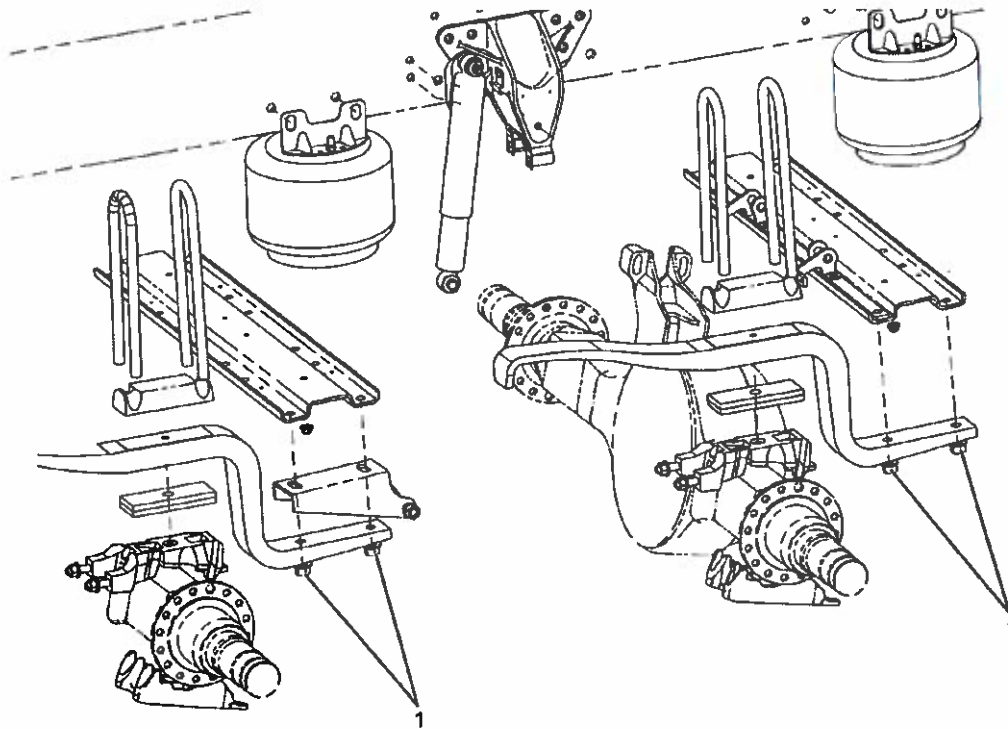
NOTE: After installation of each nut, ensure at least one thread is protruding past the top edge of the nut.

12. Vehicles equipped with Hendrickson STEERTEK™ Axle, remove and replace U-bolt nuts one at a time. Using a torque wrench, tighten U-bolt nuts using torque sequence (Figure 2):
 - a) Tighten nuts to 15 lb-ft (20 N·m)
 - b) Tighten nuts to 100 lb-ft (135 N·m)
 - c) Tighten nuts to 200 lb-ft (270 N·m)
 - d) Tighten nuts to 300 lb-ft (405 N·m)
 - e) Tighten nuts to 400 lb-ft (540 N·m)

NOTE: U-bolt nuts require multiple stages of tightening to ensure proper installation.

NOTE: After installation of each nut, ensure at least one thread is protruding past the top edge of the nut.

13. Vehicles not equipped with Hendrickson STEERTEK™ Axle, remove and replace U-bolt nuts one at a time. Using a torque wrench, tighten U-bolt nuts using torque sequence (Figure 2):
 - a) Tighten nuts to 15 lb-ft (20 N·m)
 - b) Tighten nuts to 100 lb-ft (135 N·m)
 - c) Tighten nuts to 200 lb-ft (270 N·m)
 - d) Tighten nuts to 300 lb-ft (405 N·m)
14. Repeat Steps 11-13 for opposite side.
15. Raise front of vehicle, remove jacks and lower vehicle.
16. Using jack, raise rear axles and support vehicle on jack stands.



0000478567

Figure 3. HAS Cross Brace

1. Nut (4)

17. Access four nuts (Figure 3, Item 1) securing rear axle(s) to cross brace.

NOTE: After installation of each nut, ensure at least one thread is protruding past the top edge of the nut.

18. Remove and replace nuts one at a time. Using a torque wrench, tighten nuts to 330 - 370 lb-ft (450 - 500 N·m).

19. Repeat Steps 17 and 18 for opposite side.

20. Raise vehicle, remove jack stands, and lower vehicle.

21. Close and latch hood.

22. Remove wheel chocks.

END OF SERVICE PROCEDURE

LABOR INFORMATION

Operation Number	Description	Time
A40-22550-1	Replace All Affected Hex Flange Lock Nuts	2.2 hrs

CAMPAIGN IDENTIFICATION LABEL

Each vehicle corrected in accordance with this campaign must be marked with a CTS-1075 Campaign Identification Label.

Complete the label and attach on a clean surface next to the vehicle identification number (VIN) plate.



The image shows a rectangular campaign identification label with a black border. At the top and bottom, it says "DO NOT REMOVE". Inside the label, the word "INTERNATIONAL" is printed in bold. Below that, there are fields for "Campaign No.", "VIN", and "Eng.#". At the bottom of the label, it says "COMPLETED" followed by a field for "Service Location Code #".

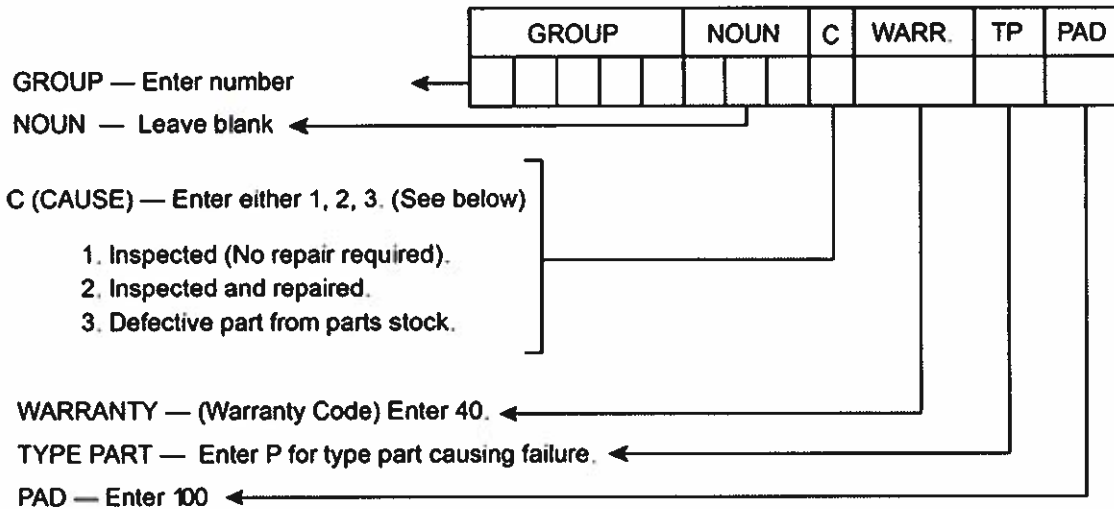
ADMINISTRATIVE / DEALER RESPONSIBILITIES

WARRANTY CLAIMS

Warranty claim expense is to be charged to Warranty. Claims are to be submitted in the normal manner, making reference to Safety Recall 22550.

Section 7 of the Warranty Policy and Procedures Manual contains further information related to the submission and processing of AFC / Recall claims.

As with all claim submissions, items acquired locally must be submitted in the "Other Charges" tab. The cost of any bulk items (such as a bag of cable tie straps, roll of wire, barrel of oil, or tube of silicone) should be prorated for the cost of the individual pieces / amount used during each repair.



000047910

UNITED STATES AND POSSESSIONS

The National Traffic and Motor Vehicle Safety Act, as amended, provides that each vehicle that is subject to a vehicle recall campaign must be adequately repaired within a reasonable time after the owner has tendered it for repair. A failure to adequately repair within 60 days after a tender of a vehicle is prima facie evidence of failure to repair within a reasonable time. If the condition is not adequately repaired within 60 days, the owner may be entitled to replacement with an identical or reasonable equivalent vehicle at no charge, or to a refund of the purchase price less a reasonable allowance for depreciation.

Dealers must correct all vehicles subject to this campaign at no charge to the owner, regardless of mileage, age of vehicle, or ownership, from this time forward.

Dealers should proceed immediately to make necessary correction to units in inventory. All inventory vehicles subject to this recall campaign must be corrected prior to sale, transfer or delivery. If vehicles have been sold or transferred and you are in receipt of Customer Notification Letters and Authorization for Recall Service cards for those vehicles, the transfer location or customer must be notified immediately from your dealer location.

Dealers must make every effort to promptly schedule an appointment with each owner to repair his or her vehicle as soon as possible. However, consistent with the customer notification, dealers are expected to complete the repairs on the mutually agreed upon service date.

Dealers involved in the recall process will be furnished a listing of owner names and addresses to enable them to follow up with owners and have the vehicles corrected. Use of this listing must be limited to this campaign because the list may contain information obtained from state motor vehicle registration records, and the use of such motor vehicle registration data for purposes other than this campaign is a violation of law in several states.

CANADA

Dealers must correct all vehicles subject to this campaign at no charge to the owner, regardless of mileage, age of vehicle, or ownership, from this time forward.

Dealers should proceed immediately to make necessary correction to units in inventory. All inventory vehicles subject to this recall campaign must be corrected prior to sale, transfer or delivery. If vehicles have been sold or transferred and you are in receipt of Customer Notification Letters and Authorization for Recall Service cards for those vehicles, the transfer location or customer must be notified immediately from your dealer location.

Dealers must make every effort to promptly schedule an appointment with each owner to repair his or her vehicle as soon as possible. However, consistent with the customer notification, dealers are expected to complete the repairs on the mutually agreed upon service date.

Dealers involved in the recall process will be furnished a listing of owner names and addresses to enable them to follow up with owners and have the vehicles corrected. Use of this listing must be limited to this campaign because the list may contain information obtained from state motor vehicle registration records, and the use of such motor vehicle registration data for purposes other than this campaign is a violation of law in several states.

EXPORT

Export Distributors should proceed immediately to make necessary correction to units in inventory. All inventory vehicles subject to this recall campaign must be corrected prior to sale, transfer or delivery. If vehicles have been sold or transferred and you are in receipt of Customer Notification Letters and Authorization for Recall Service cards for those vehicles, the transfer location or customer must be notified immediately from your distributor location.

Export Distributors are to submit warranty claims in the usual manner making reference to this recall number.

Export Distributors are expected to provide full cooperation and follow-up with respect to this important subject matter. If you have any questions or need further assistance, please contact the Regional Service Manager at your regional office.

NAVISTAR, INC.