



# SAFETY RECALL

Release Date: November 17, 2022

# IND

Communication #: I-22-06-A/B

Model Year(s): 2021-2022

— Confidential and Proprietary —

**VERSION: R02 (November 22, 2022)**

*\*\*Converted from Stop Sale to Safety Recall\*\**

## IMPORTANT STOP SALE SAFETY NOTICE!

**Stop selling affected vehicles immediately until the repair procedure has been completed on affected units at your dealership. Federal law prohibits the sale of products subject to a recall. Selling such products could subject the seller to substantial penalties.**

### IMPORTANT

If you are working with a printed copy, please verify you have the most current version of this document.

## SUBJECT: CHIEF AND SCOUT FUEL PUMP

### PURPOSE

Indian Motorcycle has determined that some Model Year 2022 Chief and Model Year 2021-2022 Scout motorcycles may experience a failure at the fuel pump during operation. If this occurs, the engine may stall increasing the risk of a crash and serious injury.

To address this concern, Indian Motorcycle has released this safety recall with instructions to replace the fuel pump with an improved part.

### AFFECTED MODELS

MODEL YEAR	MODELS	AFFECTED RANGE
2022	Chief	Reference Unit Inquiry on the dealer website or the Service Communications list on the STOP site to look up affected units.
2021-2022	Scout	

### CUSTOMER NOTIFICATION

Dealers are required to review their sales records and make arrangements with customers for Recall completion. In addition to consumer units, dealers are required to correct any affected units in their inventory. Polaris will be mailing a notification letter to consumers affected by this Recall. Polaris will also send an email to owners for whom Polaris has a valid email address.

## CONTACT POLARIS

If you have questions that are not addressed in this document, contact Indian Motorcycle Service through Ask Polaris or by phone at 877-204-3697 (US/Canada Dealers Only) / +48 775 48 1234 (International).

## DEALER - WHAT TO DO?

As of November 17, 2022, **YOU MUST NOT SELL OR DELIVER** any affected **NEW OR USED Model Year 2021–2022 Scout or 2022 Chief models** affected by this **Stop Sale** until it is repaired according to the **Safety Recall**.

## WARRANTY CLAIM INFORMATION

2022 CHIEF FUEL PUMP	
<b>Bulletin #</b>	I-22-06-A
<b>Claim Type</b>	SB (Service Bulletin)
<b>Labor Allowance</b>	0.8 hours (48 minutes)
<b>Part Number / Description</b>	2522501 (QTY 1) Pump, Fuel 5414830 (QTY 1) Seal 7080138 (QTY 1) Tie, Cable
<b>Parts Availability</b>	Available to order
<b>University of Polaris Video Training Required</b>	NO

### Claim Submission:

- **US / Canada Dealers:** On DEX, go to Service and Warranty > Warranty Claim and Extended Coverage > Start a New Warranty Claim. Select Service Bulletin> Enter the VIN / PIN and Retrieve Registration. Select I-22-06-A and Send Claim.
- **International Dealers:** On iDEX, go to Service and Warranty> Warranty Claims>Start a New Warranty Claim. Select Service Bulletin> Enter the VIN / PIN and Retrieve Registration. Select I-22-06-A and Send Claim

2021–2022 SCOUT FUEL PUMP	
<b>Bulletin #</b>	I-22-06-B
<b>Claim Type</b>	SB (Service Bulletin)
<b>Labor Allowance</b>	0.8 hours (48 minutes)
<b>Part Number / Description</b>	2521733 (QTY 1) Pump, Fuel 5414830 (QTY 1) Seal
<b>Parts Availability</b>	Available to order
<b>University of Polaris Video Training Required</b>	NO

### Claim Submission:

- **US / Canada Dealers:** On DEX, go to Service and Warranty > Warranty Claim and Extended Coverage > Start a New Warranty Claim. Select Service Bulletin> Enter the VIN / PIN and Retrieve Registration. Select I-22-06-B and Send Claim.
- **International Dealers:** On iDEX, go to Service and Warranty> Warranty Claims>Start a New Warranty Claim. Select Service Bulletin> Enter the VIN / PIN and Retrieve Registration. Select I-22-06-B and Send Claim

The information contained within this document is confidential and protected by U.S. and international copyright laws, and is the property of Polaris Inc. This document is provided for the sole use of authorized Polaris dealers and distributors. This document is not to be distributed, duplicated, or copied, digitally or otherwise, without the written consent of Polaris Inc.

## DECLINED SAFETY RECALL

Polaris provides a claim process that allows dealers to accurately document when a Safety Recall cannot be performed on a vehicle due to modification. Criteria and instructions can be found under Service & Warranty > STOP Site > News, Forms, & Links > Declined Safety Bulletin Tracking.

## INVENTORY / STOCK PART CLAIMS

Dealers should review their service parts inventory of the part numbers listed below, and inspect the date code on the part. The part is BAD and should **NOT** be used if the date code falls within **20210308– 20210910** (format YYYYMMDD):

GOOD	BAD	GOOD
XXXXXXXX - 20210307	20210308– 20210910	20210911 – XXXXXXXX



- 2521733
- 2522501

### NOTICE

To remove these service parts from circulation, file a Part Stock claim as directed below.

Use the following process for filing a Part Stock warranty claim for any of the parts listed above.

1. Start a new Part Stock warranty claim.
2. Select Product Line: IND
3. Enter today's date into the Date Failed and Date Repair information fields
4. Enter Indian Motorcycle® I-22-06 into the CONCERN field.
5. Enter Indian Motorcycle® I-22-06 into the CAUSE field.
6. Enter Removed From Inventory into the CORRECTION field.
7. Enter the part number and quantity.
8. Enter warranty fail codes: 140/280/152
9. Validate the parts.
10. Save and submit the claim to Polaris.

## COVERAGE PERIOD

Coverage will begin on November 17, 2022. This bulletin has no expiration date.

## **PARTS RETURN / DISPOSAL INFORMATION**

Under no circumstances shall the parts removed be re-used, sold, or re-purposed for another application. It is your dealership / distributor's responsibility to make sure every part replaced (related to this communication) is taken out of circulation and disposed of properly or returned to Polaris (if required).

## **FEEDBACK FORM**

A feedback form has been created for the technician to provide Polaris with an overall satisfaction rating for the instructions, provide comments on your experience or upload pictures/video. The form is viewable on mobile devices by scanning the QR code or on a PC by clicking [HERE](#).





# I-22-06-A, 2022 CHIEF - FUEL PUMP REPLACEMENT

## TOOLS REQUIRED

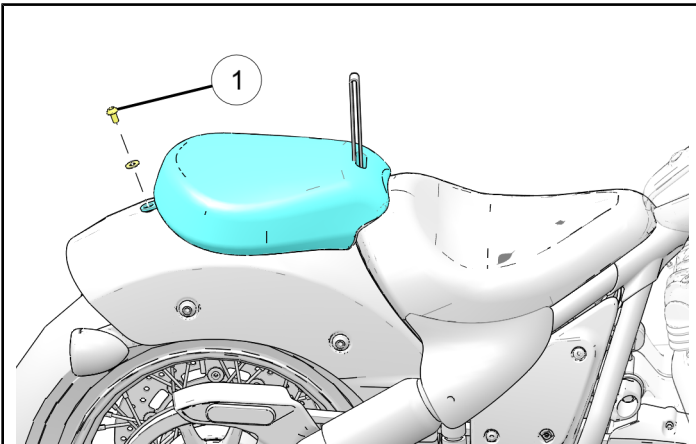
- Pliers, Side Cutting
- Socket Set, Metric
  - Socket Size 8, 10, 12 mm
- Sockets, Hex
  - Size. 4, 5, 6 mm
- Torque Wrench
- Fuel Siphon Tool
- Absorbent Mats

## VEHICLE PREPARATION

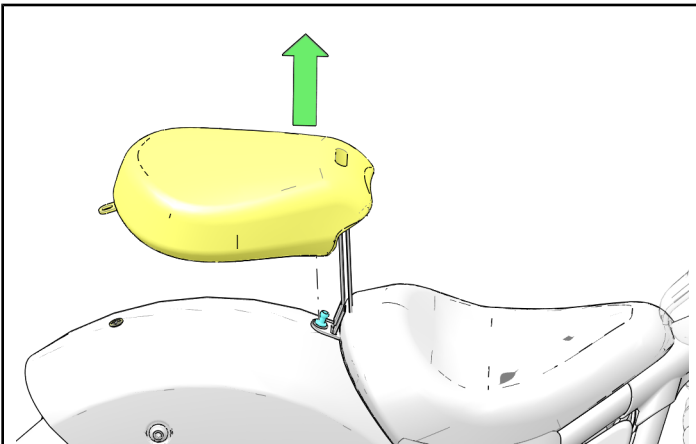
1. Park motorcycle on a flat surface, fully extend side stand, and make sure vehicle is stable.
2. Turn key or ignition switch to OFF position and remove key. If equipped with keyless fob, remove fob from proximity of vehicle.
3. Remove the seat:

### Rear Seat Removal (if equipped)

- a. Remove pillion seat fastener ①.

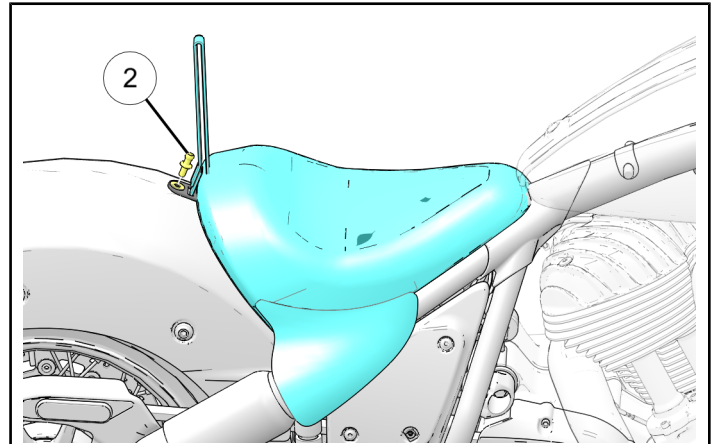


- b. Pull pillion seat upward off of seat stud to remove.

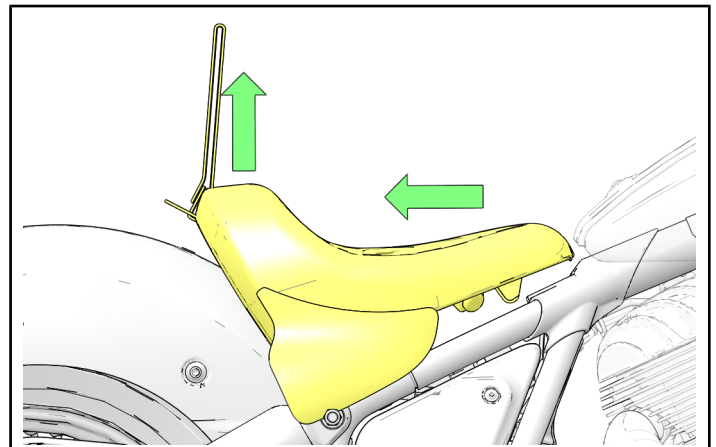


### Front Seat Removal

- a. Remove pillion seat stud ②.



- b. Lift the rear of the seat upward and slide back to remove.

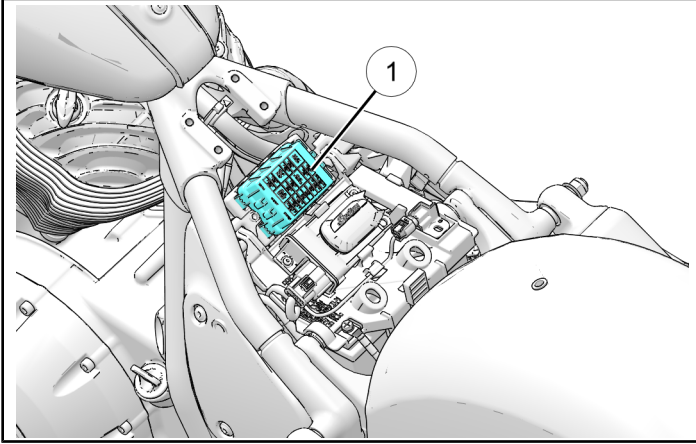


## FUEL SYSTEM DEPRESSURIZATION

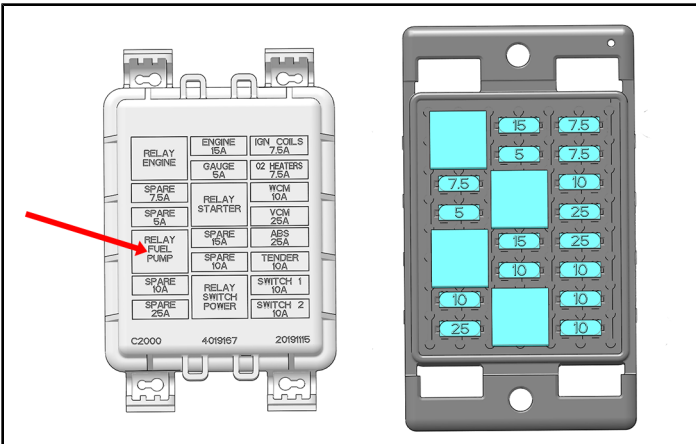
### **⚠ WARNING**

Allow engine and exhaust to cool completely before disconnecting fuel line or removing tank. Wear eye protection.

1. Locate the fuse box ① and remove its cover.

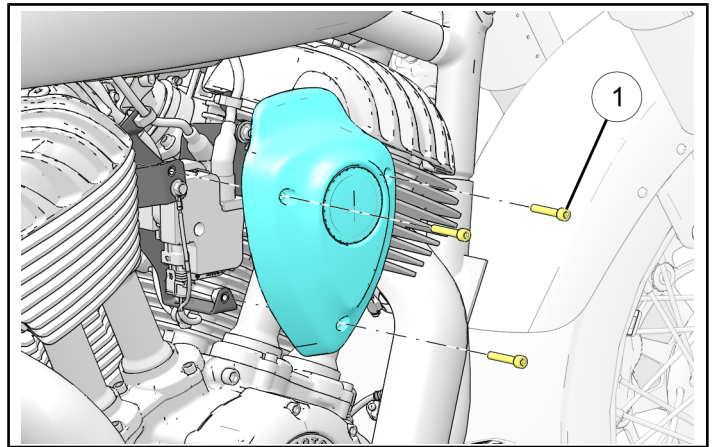


2. Locate the fuel pump relay. Pull the fuel pump relay and crank the engine over for 5 seconds to release fuel pressure.



3. With the motorcycle powered off, install the fuel pump relay. Install the fuse box cover.

4. Remove ignition cover by removing its fasteners ①.

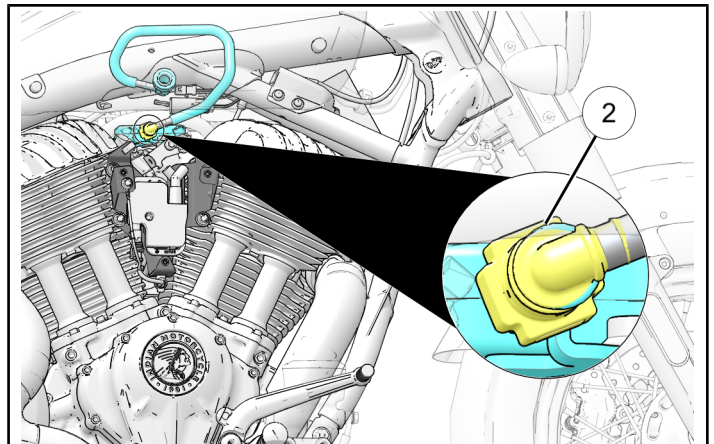


5. Wrap a clean shop towel around fuel line fitting ②.

### **⚠ CAUTION**

Do not use anything other than fingers to remove the quick connection. The use of tools can damage the connection.

6. Squeeze both release buttons (one on each side of fitting) and hold. Gently slide fitting straight off fuel rail.



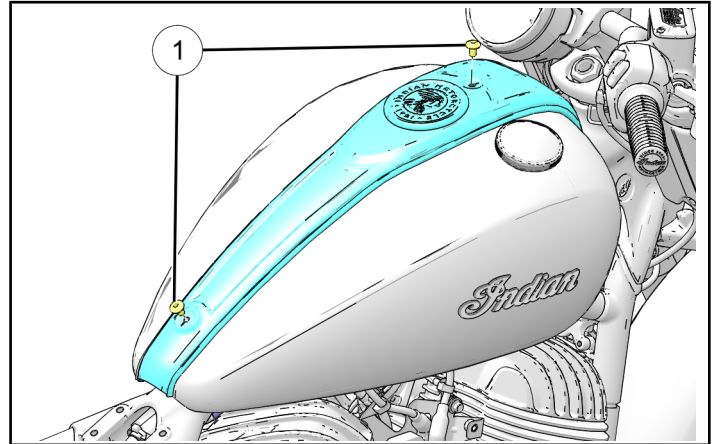
7. Cover fuel fittings to keep debris out.

## DRAIN FUEL SYSTEM

1. Drain fuel from tank using a clean vacuum or siphon pump designed for fuel systems.
2. Retain drained fuel in a clean container safe for fuel and reuse later.

## FUEL TANK REMOVAL

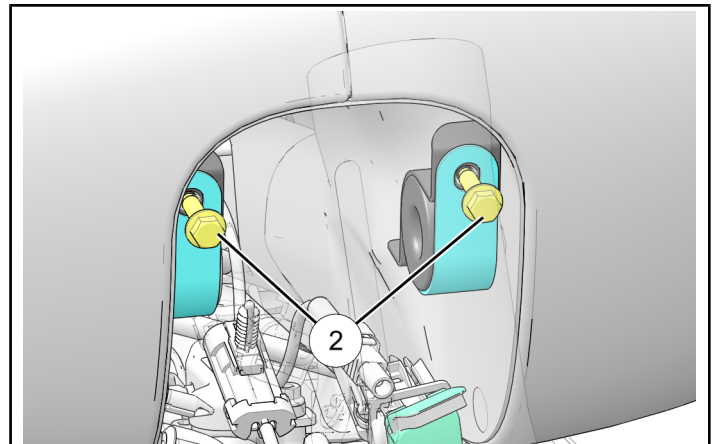
1. Remove fuel tank console by removing its fasteners ① and set aside.



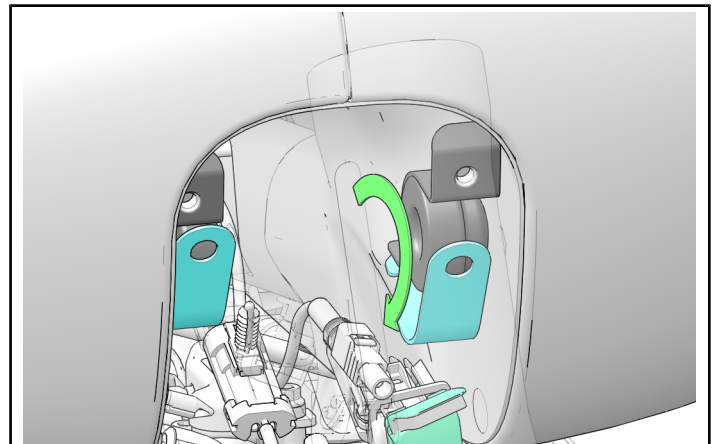
### NOTICE

Do not disconnect any electrical connectors. The wires are long enough to allow the console to be set aside while staying connected.

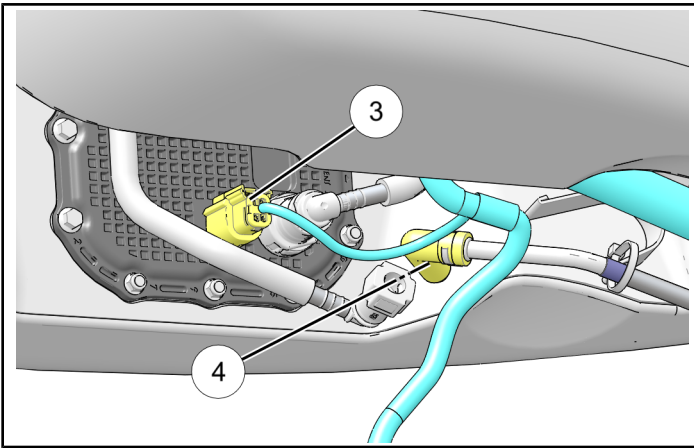
2. Remove fuel tank bracket fasteners ②.



3. Rotate the fuel tank brackets downward to disconnect the mount from the isolator.



4. Slowly pull the fuel tank up and disconnect the fuel pump electrical connector ③ and fuel vent line ④.



**⚠ CAUTION**

Do not use anything other than fingers to remove the electrical connection. The use of tools can damage the connection.

5. Lifting at the front and rear of the tank at the same time, slide the tank upward and rearward to remove from unit.

**IMPORTANT**

Carry the fuel tank flat to avoid any fuel spills.

6. Set the fuel tank on absorbent mats to avoid damage to the tank.

**IMPORTANT**

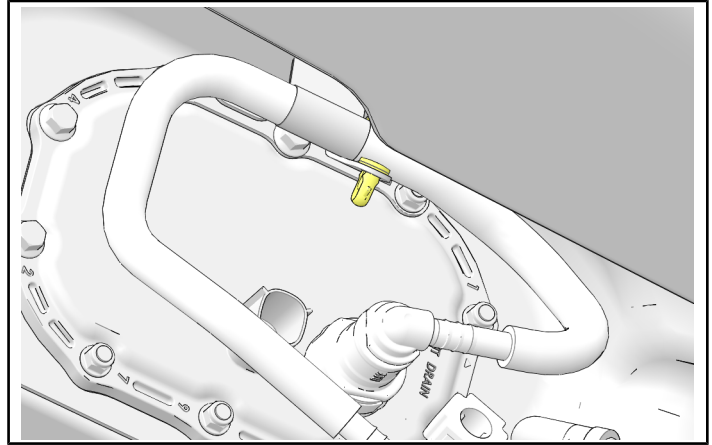
Cover the vent line with a clean rag to prevent a fuel spill.

## FUEL PUMP REMOVAL

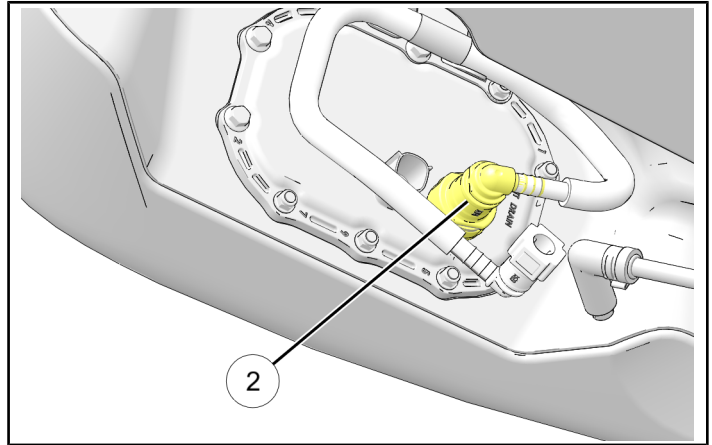
**⚠ CAUTION**

Be careful when performing this procedure to avoid damaging the fuel pump, electrical wiring, fuel level sender, or hoses. Always inspect wires and hoses closely for damage after removing the fuel pump.

1. Tilt the fuel tank and siphon out any remaining fuel, if necessary.
2. Remove fuel line retainer push pin and save.

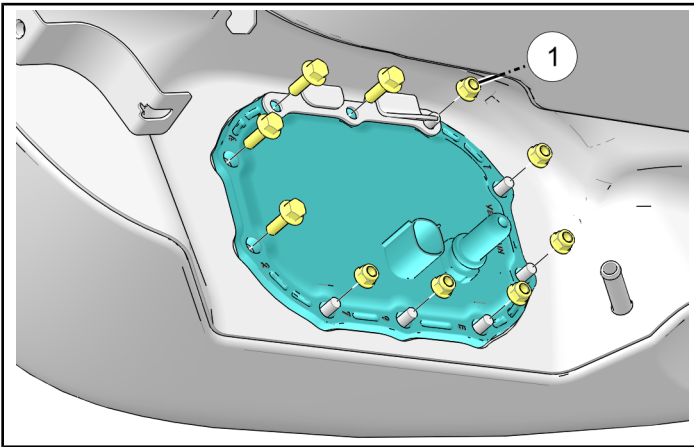


3. Disconnect fuel line ② from the fuel pump.





4. Remove fuel pump fasteners ①.

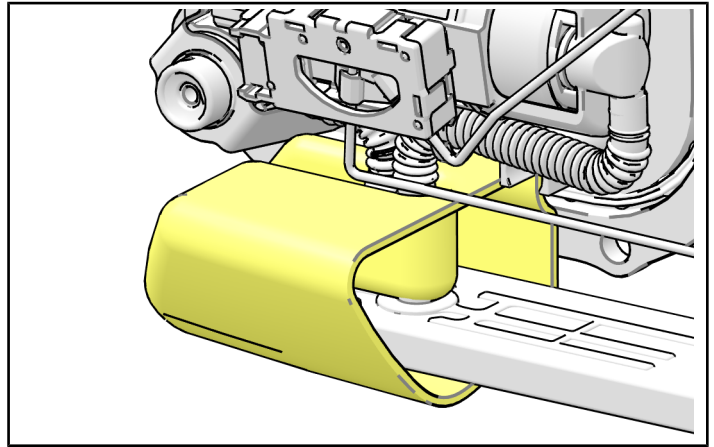


**NOTICE**

Working with the fuel tank upside down may be helpful. Make sure the gas cap is installed and place the tank on a soft surface to remove the fuel pump fasteners.

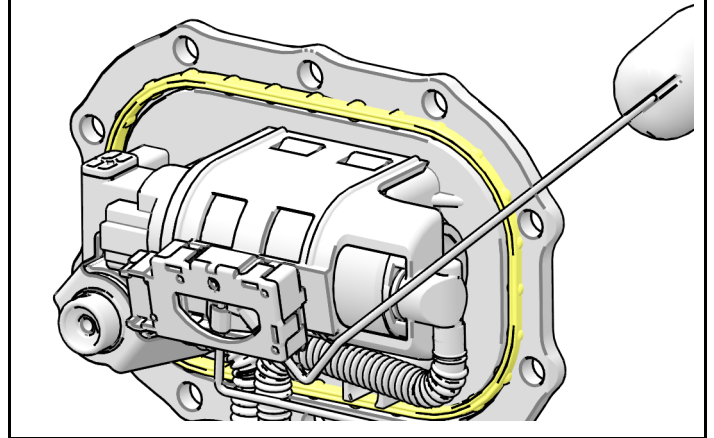
5. Starting at the rear, lift the fuel pump assembly and carefully remove from fuel tank.

6. Remove cable tie and remove the pickup baffle and save for installation.



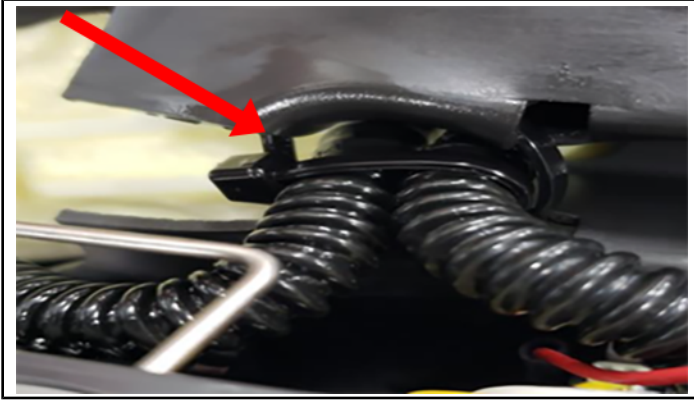
**STOP!**

Remove the fuel pump seal, CUT and DISCARD along with fuel pump.



## FUEL PUMP INSTALLATION

1. Install pickup baffle to NEW pump. Secure with cable tie supplied in the kit.



### ⚠ WARNING

Do NOT use alternative cable tie. ONLY use the 7080138 cable tie supplied. Failure to use proper cable tie may result in the cable tie dissolving in the fuel.

2. Install NEW fuel pump seal.

### ⚠ WARNING

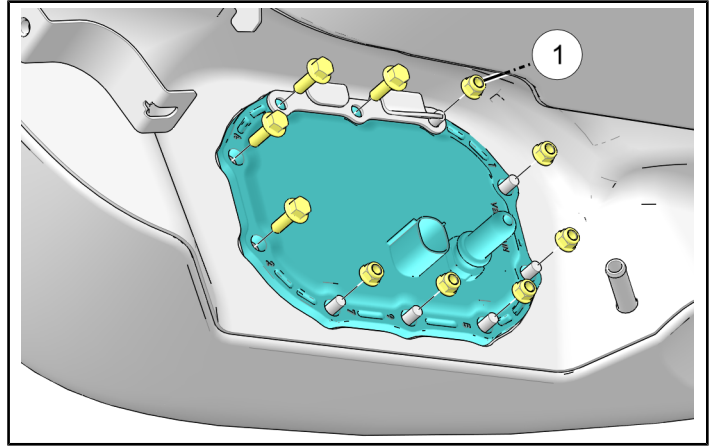
Ensure a NEW seal is used. Failure to use a new seal may result in a fuel leak.

3. Install fuel pump assembly into bottom of gas tank. Insert fuel filter and level sender arm first before guiding the rest of the fuel pump into fuel tank. Verify the filter is positioned correctly in the tank cavity before installing the pump fasteners. Once installed into the tank, the fuel pump must move freely. Move the pump in each direction to make sure it does not feel “bound” on any components.

### IMPORTANT

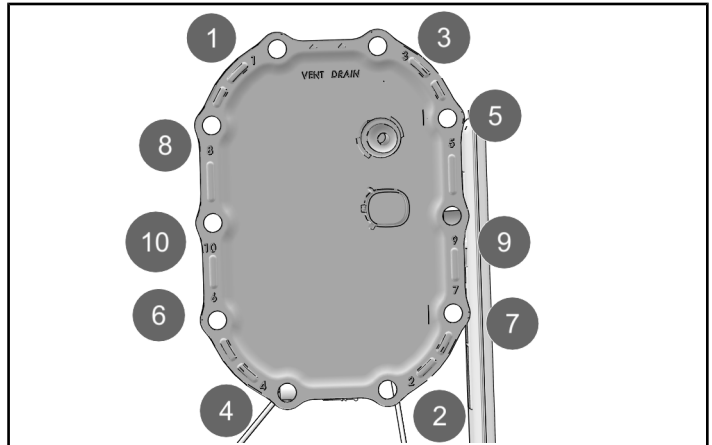
Ensure the fuel sender arm and assembly is not damaged upon installation.

4. Install fuel pump fasteners ① and tighten to specification following the torque sequence shown.



### NOTICE

Working with the fuel tank upside down may be helpful. Make sure the gas cap is installed and place the tank on a soft surface to install the fuel pump fasteners.



### TORQUE

Fuel Pump Fastener / Nut:  
**44 in-lbs (5 N·m)**

5. Connect fuel line to the fuel pump.

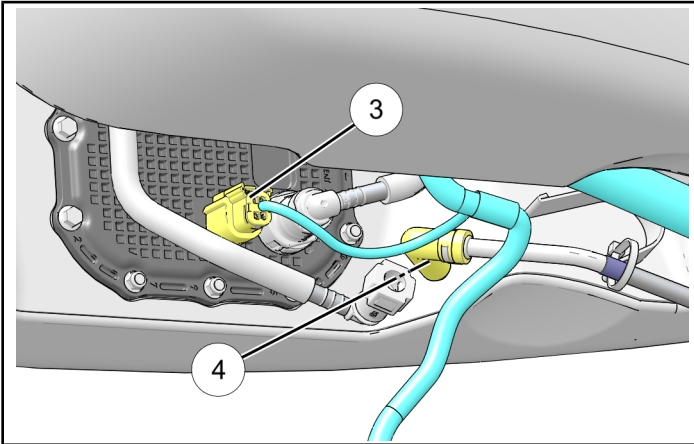
### IMPORTANT

Verify fuel line is properly seated and locked in place by listening for an audible “click” when pressing into place. Pull gently on quick connector to make sure a proper connection has been made.

6. Attach the fuel line to the fuel tank by securing the push pin retaining strap.

## FUEL TANK INSTALLATION

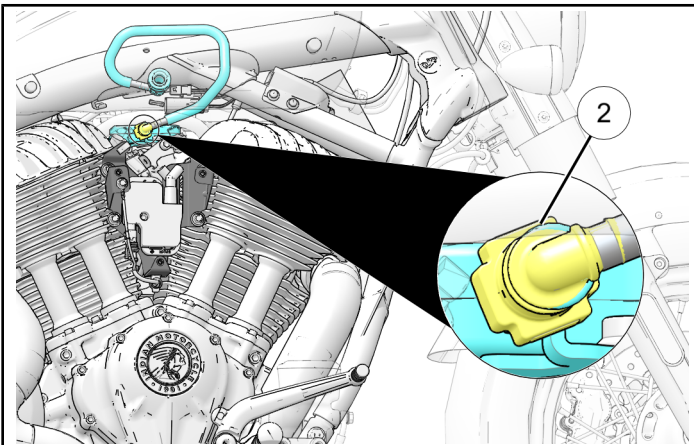
1. Apply a soapy water solution to the isolators and carefully lower the fuel tank onto the frame.
2. Engage the rear isolators first and then rotate the tank downward onto the front isolators.
3. Connect fuel tank vent line ④ and fuel pump electrical connector ③.



### IMPORTANT

Verify electrical connector is properly seated and locked in place by listening for an audible “click” when pressing into place. Pull gently on quick connector to make sure a proper connection has been made.

4. Continue lowering the fuel tank until it is fully seated on the isolators.
5. Connect the fuel line to the fuel rail.



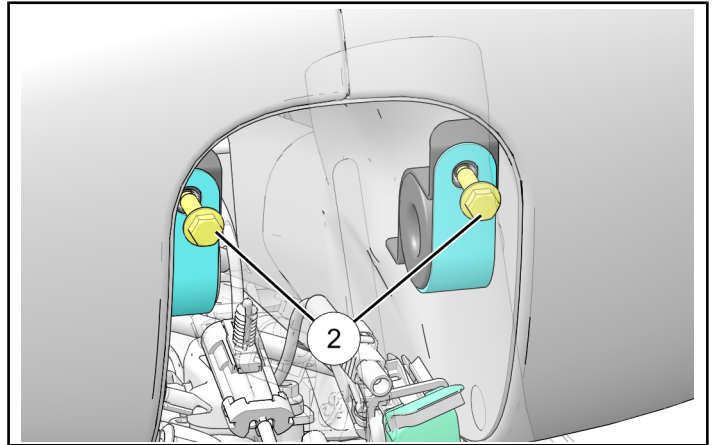
### IMPORTANT

Verify fuel line is properly seated and locked in place by listening for an audible “click” when pressing into place. Pull gently on quick connector to make sure a proper connection has been made.

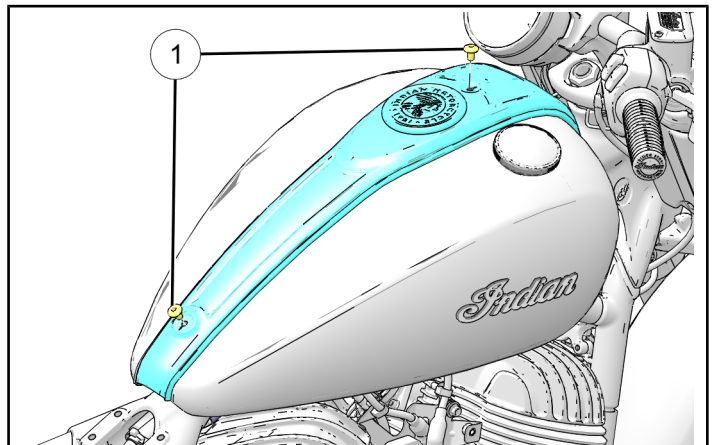
6. Install fuel tank bracket fasteners ②.

### TORQUE

Fuel Tank Mount Fastener:  
**88 in-lbs (10 N·m)**



7. Install fuel tank console and secure it with fasteners ①. Torque fasteners to specification.

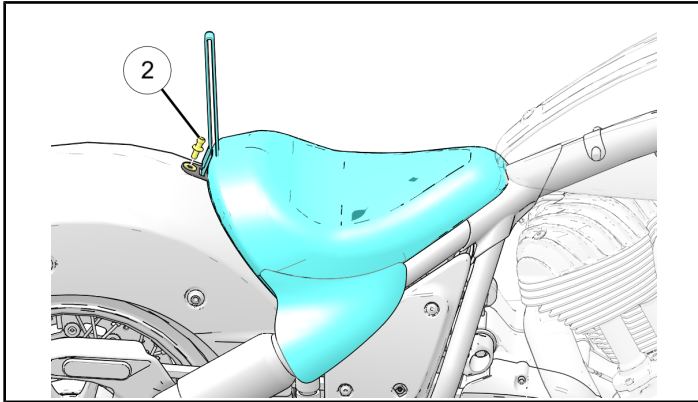


### TORQUE

Fuel Tank Console Fastener:  
**88 in-lbs (10 N·m)**

8. Install the seat:
  - a. Position the seat by inserting the seat mounting tabs from rear to front into the frame.
  - b. Rotate the rear of the seat downward and position the rear mount seat bracket onto the fender.

- c. Thread the seat mount bolt through the seat mount bracket and into the fender. Torque the seat bolt ② to specification.

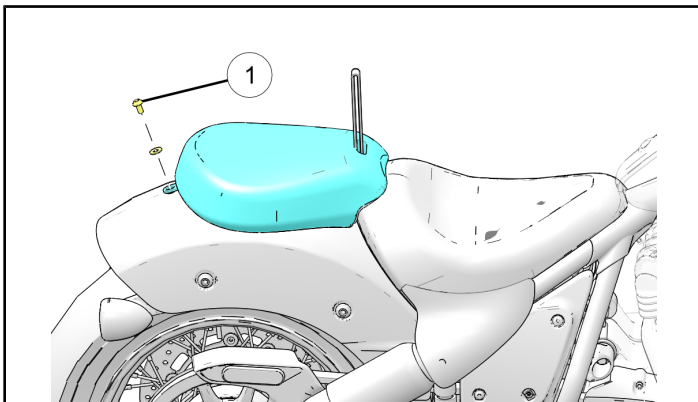


#### TORQUE

Pillion Seat Stud (Bagger):  
**13 ft-lbs (18 N·m)**

#### Rear Seat Installation (if equipped)

- Position the passenger seat near the fender, and push the grab strap through the seat bottom.
- Lower the passenger seat onto the seat post, and push downward to engage the seat grommet to the seat post.
- Gently raise the rear bracket and reinstall the nylon grommet.
- Thread the rear bracket bolt and washer through the bracket and nylon grommet. Torque the bolt ① to specification.



#### TORQUE

Pillion Seat Fastener (Bagger):  
**13 ft-lbs (18 N·m)**

## PRIME THE FUEL SYSTEM

- Fill the fuel tank.

#### IMPORTANT

Fuel level in tank must be high enough to submerge pickup screen on fuel pump.

- Turn Engine Stop switch OFF.
- Turn the ignition switch to ON.
- Turn stop switch to RUN.
- Allow switch to remain in RUN position until pump stops running (about 2-3 seconds).

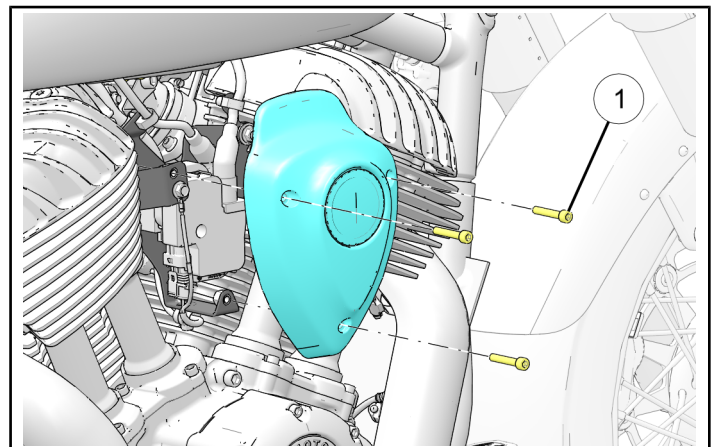
#### NOTICE

You should hear the fuel pump running to cycle fuel. If you don't, check the electrical connection to the fuel pump.

- Inspect the system for leaks.
- Install ignition cover and secure with its fasteners ①. Torque fasteners to specification.

#### TORQUE

Ignition Cover Fasteners:  
**62 in-lbs (11 N·m)**



- Turn stop switch OFF.
- Turn the ignition switch to OFF.
- WAIT approximately 10 seconds.
- Repeat Steps 4-8 about 4 times to complete the priming procedure.
- Submit a Service Bulletin Warranty Claim for I-22-06-A.



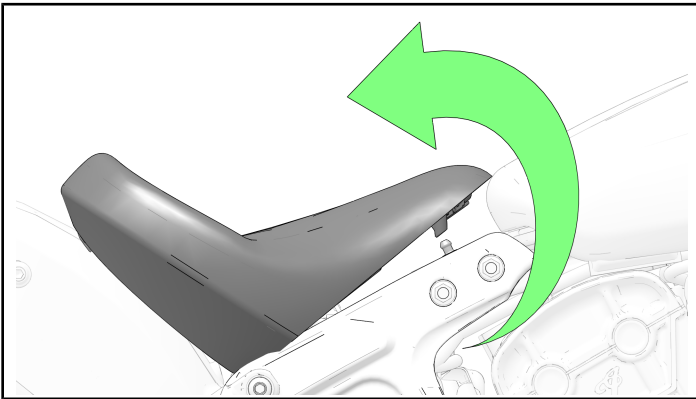
# I-22-06-B, 2021-2022 SCOUT - FUEL PUMP REPLACEMENT

## TOOLS REQUIRED

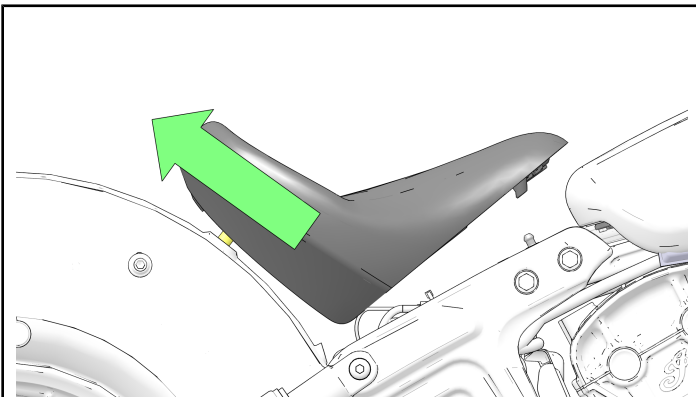
- Pliers, Side Cutting
- Socket Set, Metric
  - Socket Size 8, 10, 12 mm
- Sockets, Hex
  - Size. 4, 5, 6 mm
- Torque Wrench
- Fuel Siphon Tool
- Absorbent Mats

## VEHICLE PREPARATION

1. Park motorcycle on a flat surface, fully extend side stand, and make sure vehicle is stable.
2. Turn key to OFF position and remove key.
3. Remove the seat:
  - a. Lift up on the seat front to disengage the front of the seat from the frame post.



- b. Lift the seat and pull rearward to disengage the seat from the mount holding the back of the seat to the frame.

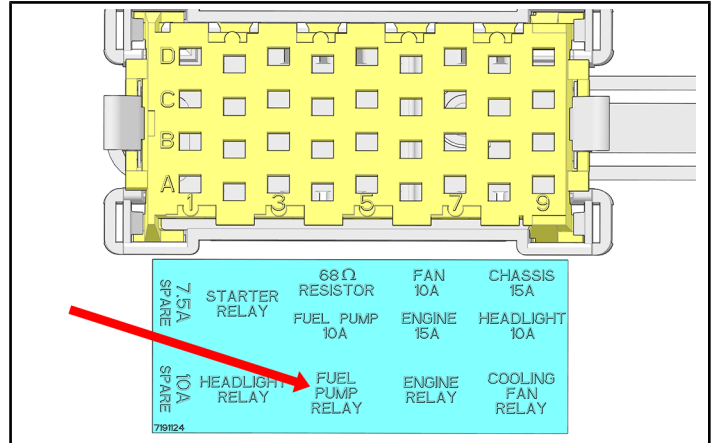


## FUEL SYSTEM DEPRESSURIZATION

### ⚠ WARNING

Allow engine and exhaust to cool completely before disconnecting fuel line or removing tank. Wear eye protection.

1. Locate the fuse box, under the seat. Press inward on the fuse box cover latches and remove cover.



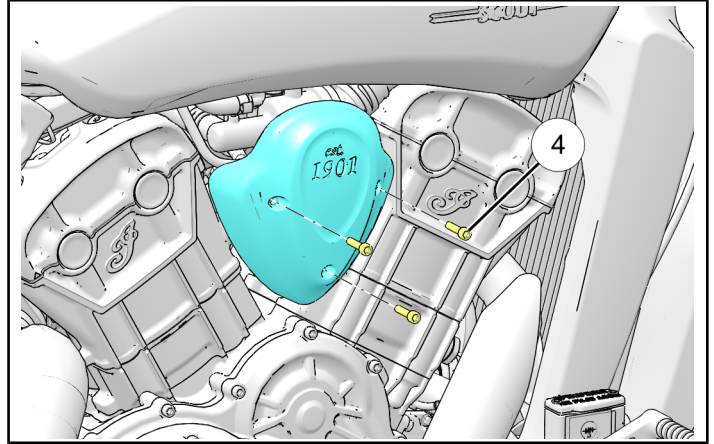
2. Pull the fuel pump relay and crank the engine over for 5 seconds to release fuel pressure.
3. With the motorcycle powered off, install the fuel pump relay. Install the fuse box cover.

## DRAIN FUEL SYSTEM

1. Drain fuel from tank using a clean vacuum or siphon pump designed for fuel systems.
2. Retain drained fuel in a clean container safe for fuel and reuse later.

## FUEL TANK REMOVAL

1. Remove thermostat cover by removing its fasteners ④.



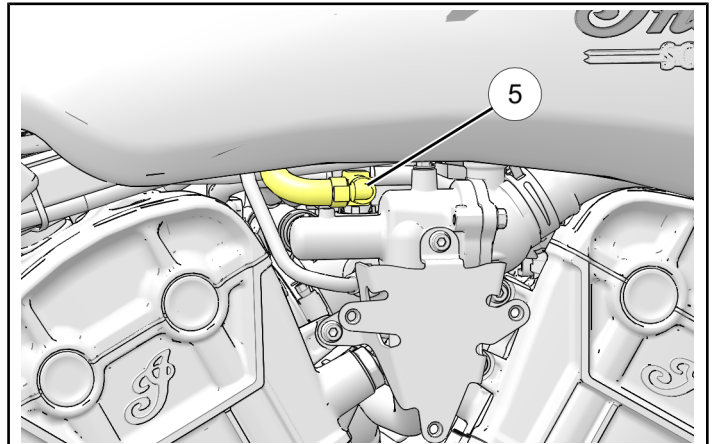
2. Disconnect the fuel line ⑤ from the fuel rail by squeezing both release buttons.

### ⚠ CAUTION

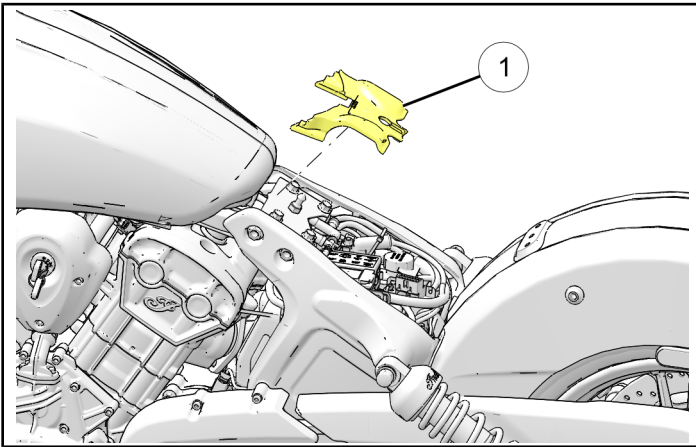
Do not use anything other than fingers to remove the quick connection. The use of tools can damage the connection.

### IMPORTANT

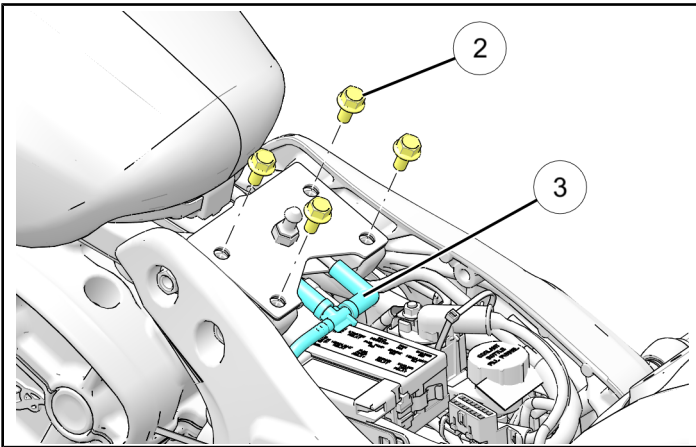
Use a shop rag to catch any residual fuel in the system.



3. Remove the fuel tank filler pad ①.



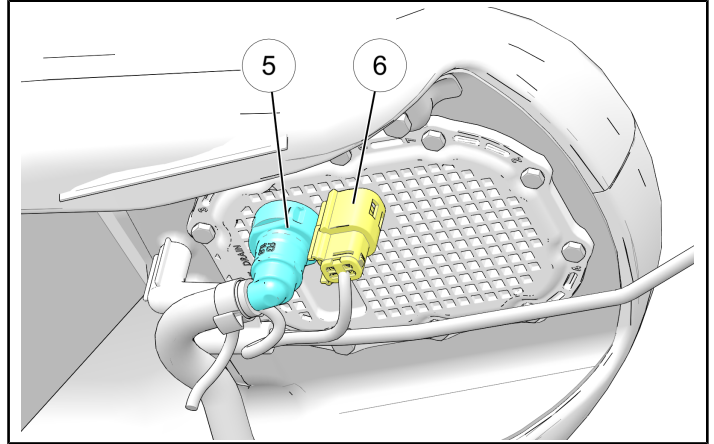
4. Disconnect vent and drain lines ③. Remove the four bolts ② at the rear of the fuel tank.



5. Slightly lift the fuel tank to disconnect fuel line ⑤ and fuel pump electrical connector ⑥.

**CAUTION**

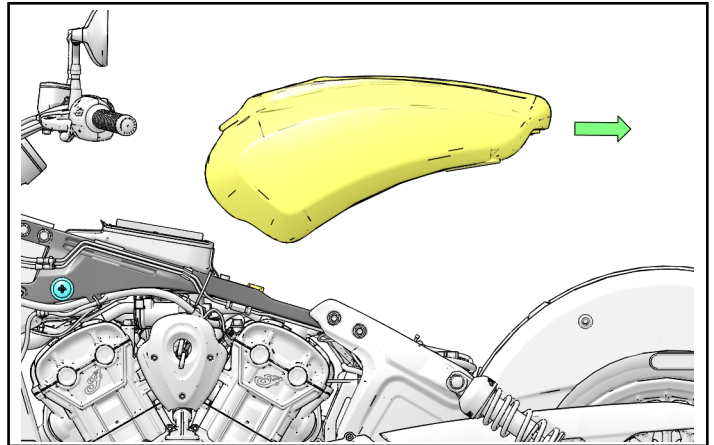
Do not use anything other than fingers to remove the quick connection. The use of tools can damage the connection.



**IMPORTANT**

Do not remove the fuel line from the chassis.

6. Lift the rear of the fuel tank and slide rearward to release from the front isolators.



7. Lift the fuel tank off the motorcycle and place on a suitable flat surface to prevent tank damage.

**IMPORTANT**

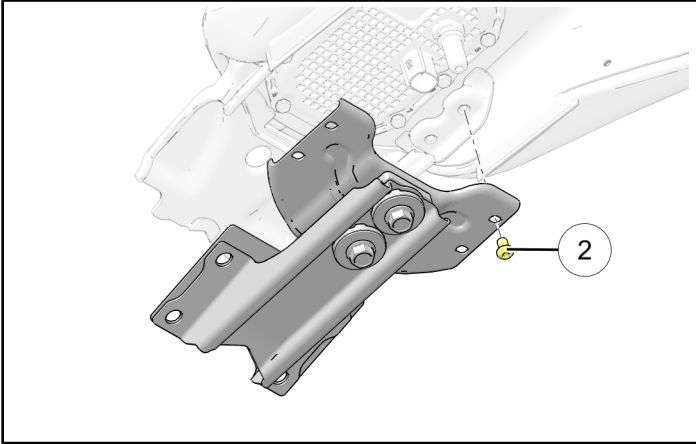
Carry the fuel tank flat to avoid any fuel spills.

## FUEL PUMP REMOVAL

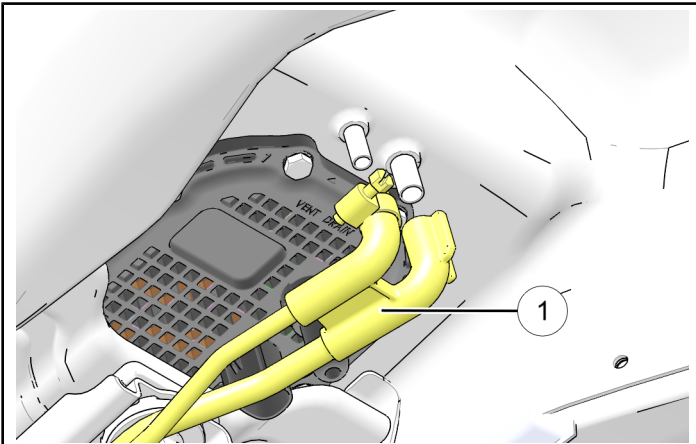
### ⚠ CAUTION

Be careful when performing this procedure to avoid damaging the fuel pump, electrical wiring, or hoses. Always inspect wires and hoses closely for damage after removing the fuel pump.

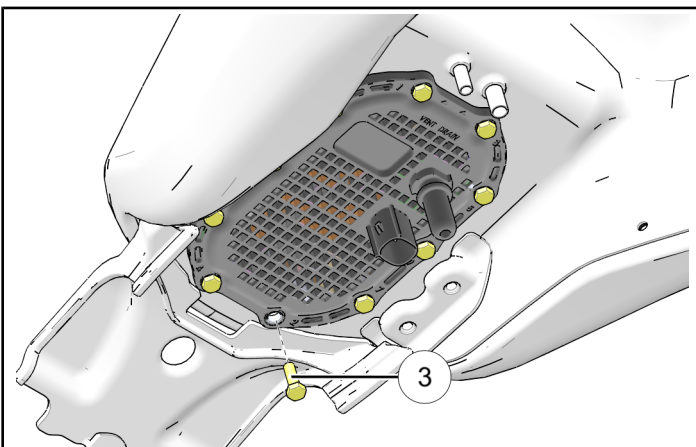
1. Remove tank mount assembly by removing four bolts ②.



2. Disconnect fuel vent/drain hoses ①.



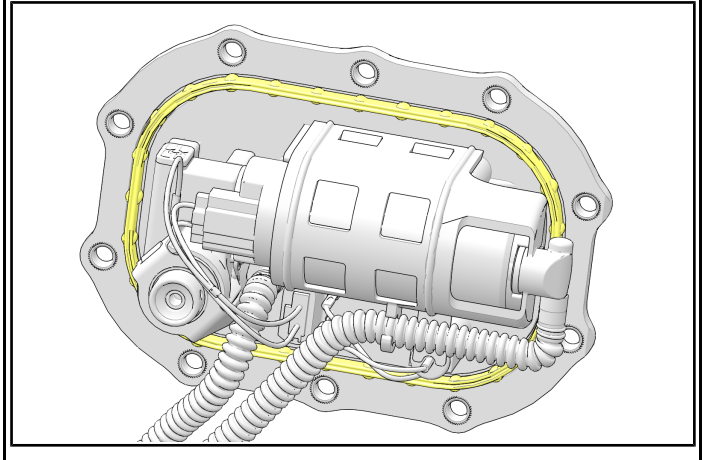
3. Remove fuel pump bolts ③.



4. Lift the fuel pump assembly and carefully remove from fuel tank.

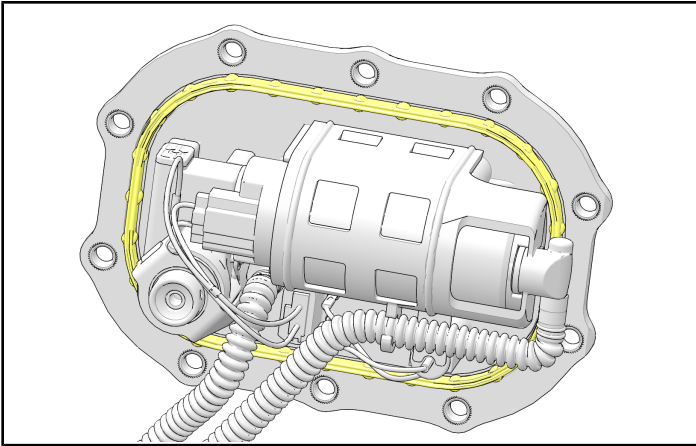
### STOP!

Remove the fuel pump seal, CUT and DISCARD along with fuel pump.



## FUEL PUMP INSTALLATION

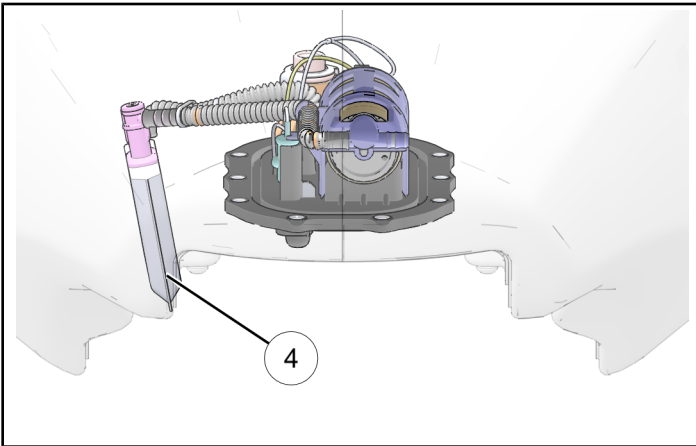
1. Install NEW fuel pump seal onto the NEW pump.



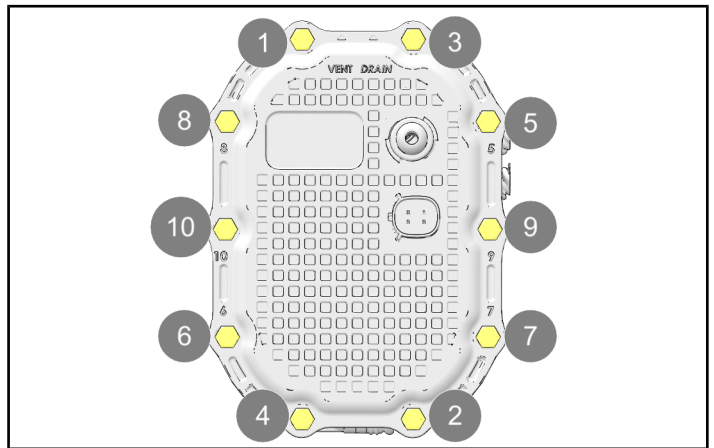
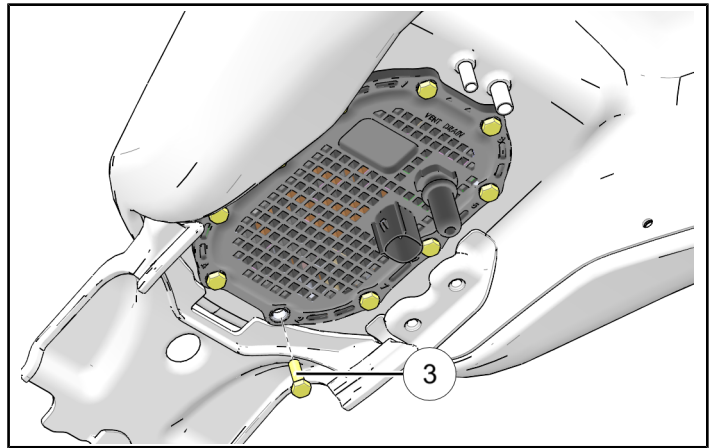
### ⚠ WARNING

Ensure a NEW seal is used. Failure to use a new seal may result in a fuel leak.

2. Install fuel pump assembly into bottom of gas tank. Insert fuel filter ④ first before guiding the rest of the fuel pump into fuel tank. Verify the filter is positioned correctly in the tank cavity before installing the pump fasteners. Once installed into the tank, the fuel pump must move freely. Move the pump in each direction to make sure it does not feel “bound” on any components.



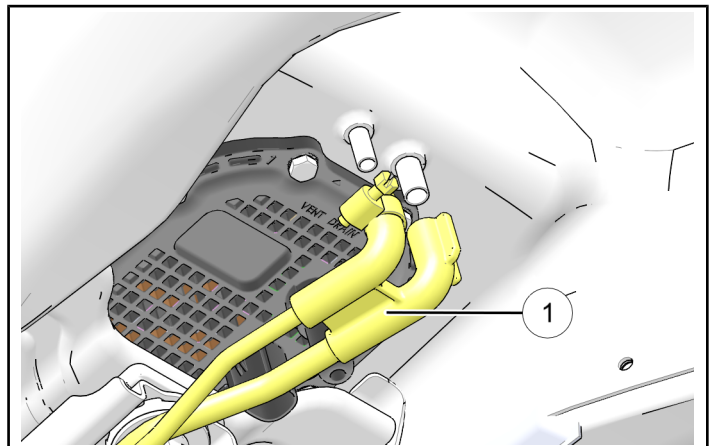
3. Install fuel pump fasteners ③ and tighten to specification following the torque sequence shown.



### TORQUE

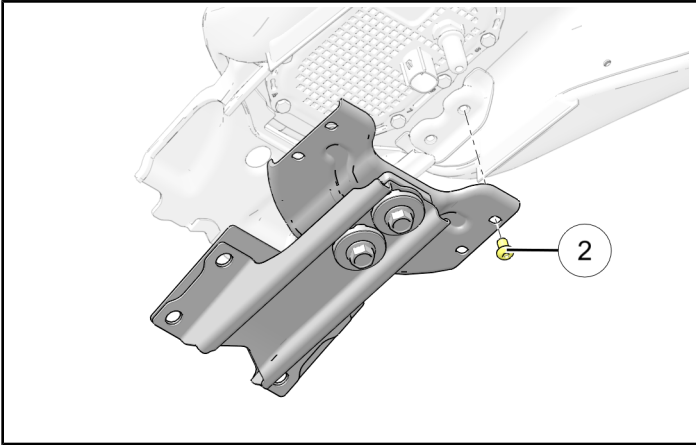
Fuel Pump Fasteners:  
44 in-lbs (5 N·m)

4. Connect fuel vent/drain hoses ①.





5. Install tank mount assembly using four bolts ②. Torque to specification.

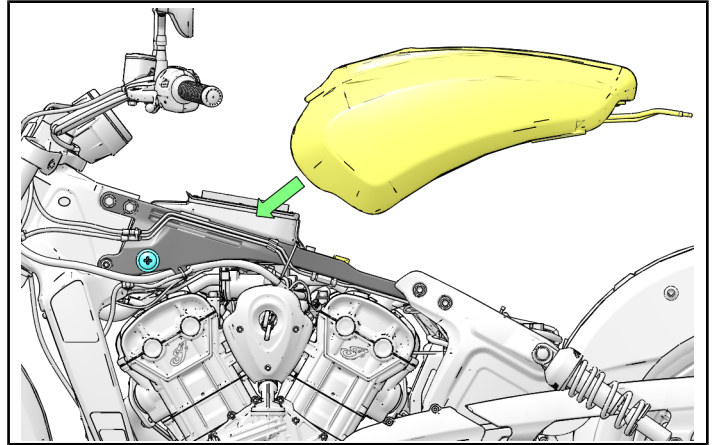


#### TORQUE

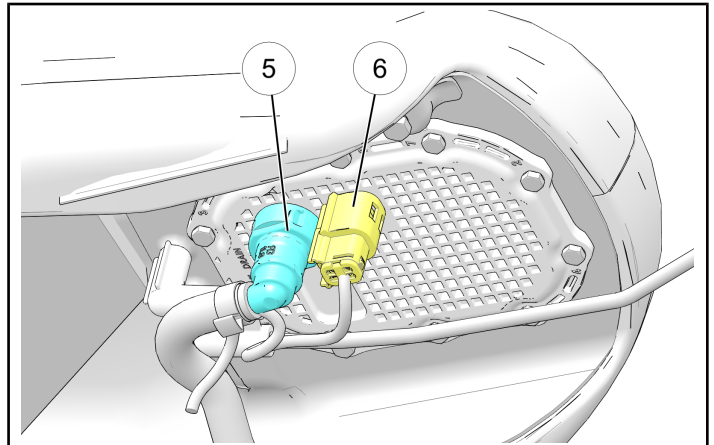
Fuel Tank Mount Assembly Fasteners:  
**88 in-lbs (10 N·m)**

## FUEL TANK INSTALLATION

1. Secure the handlebars in the straight ahead position.
2. Apply alcohol, soapy water solution, or rubber lubricant to the isolators and carefully lower the fuel tank onto the tank isolators.



3. While supporting rear of fuel tank, connect fuel line to pump ⑤.



#### IMPORTANT

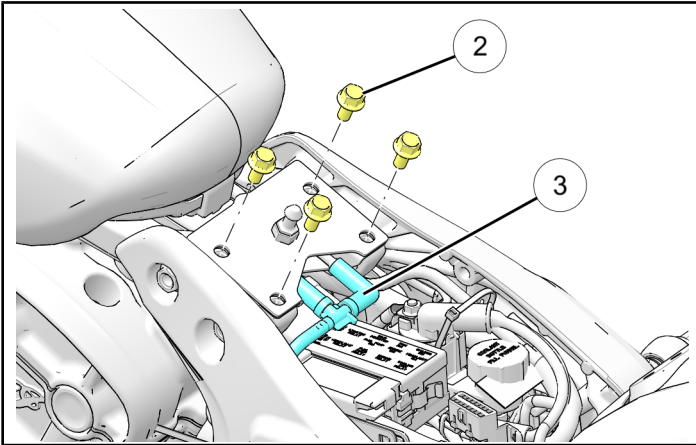
Verify fuel line is properly seated and locked in place by listening for an audible “click” when pressing into place. Pull gently on quick connector once seated to ensure a proper connection has been made.

4. Connect fuel pump electrical connector ⑥.

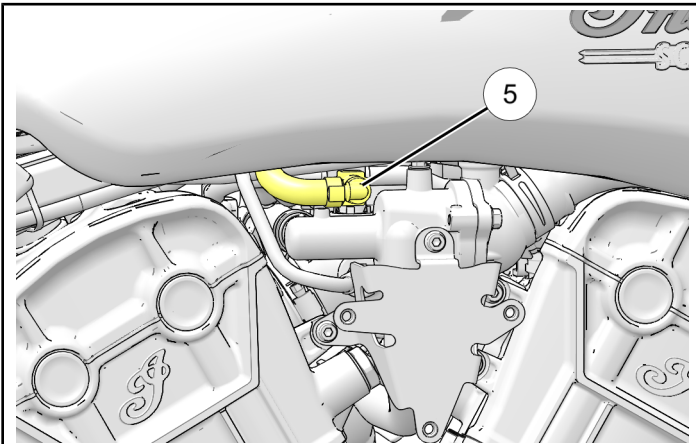
5. Install fuel tank mounting fasteners ②.

### TORQUE

Fuel Tank Mounting Fasteners:  
18 ft-lbs (24 N·m)



6. Connect the fuel tank vent line and the fuel cap recess drain line ③.
7. Install the fuel tank filler pad.
8. Connect the fuel line ⑤ to the fuel rail.

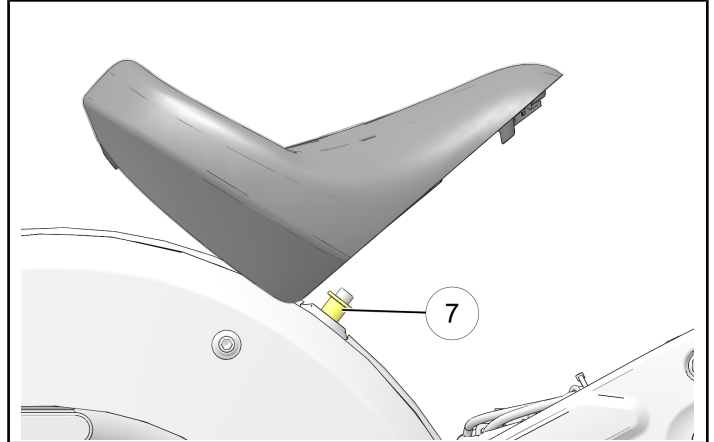


### IMPORTANT

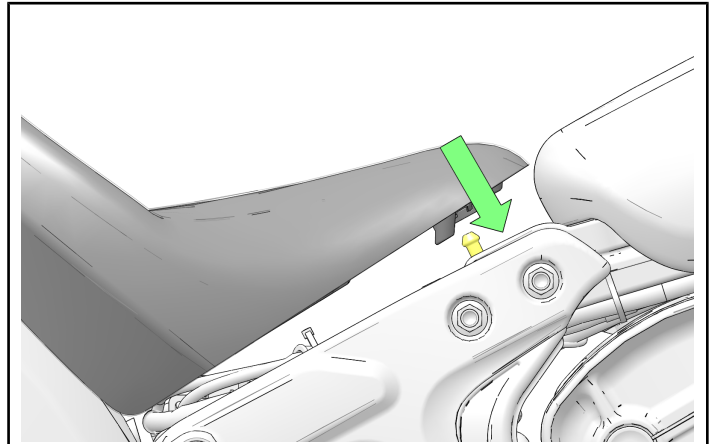
Verify fuel line is properly seated and locked in place by listening for an audible “click” when pressing into place. Pull gently on quick connector once seated to ensure a proper connection has been made.

9. Install the seat:

- a. Press the rear of the seat downward to engage the seat back to the frame post ⑦.



- b. Push down on the front of the seat to engage the front of the seat to the frame post.



## PRIME THE FUEL SYSTEM

1. Fill the fuel tank.

### IMPORTANT

Fuel level in tank must be high enough to submerge pickup screen on fuel pump.

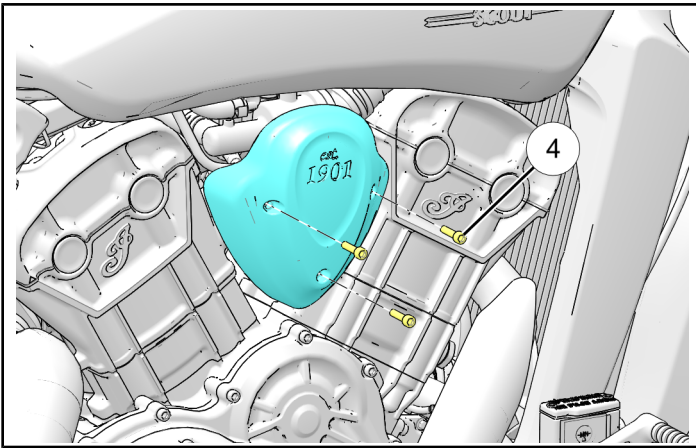
2. Turn Engine Stop switch OFF.
3. Turn the ignition switch to ON.
4. Turn stop switch to RUN.
5. Allow switch to remain in RUN position until pump stops running (about 2-3 seconds).

### NOTICE

You should hear the fuel pump running to cycle fuel. If you don't, check the electrical connection to the fuel pump.

6. Inspect the system for leaks.

7. Install thermostat cover and secure fasteners ④.  
Torque fasteners to specification.



#### TORQUE

Thermostat Cover Fasteners:  
**96 in-lbs (11 N·m)**

8. Turn stop switch OFF.
9. Turn the ignition switch to OFF.
10. *WAIT* approximately 10 seconds.
11. Repeat Steps 4-8 about 4 times to complete the priming procedure.
12. Submit a Service Bulletin Warranty Claim for I-22-06-B.