



GROUP	MODEL
Safety Recall Campaign	2016-2023MY Multiple Models Listed
NUMBER	DATE
SC249 (Rev 2, 07/26/2023)	November 2022

## SAFETY RECALL CAMPAIGN

### TRAILER TOW HITCH HARNESS

SUBJECT:

### INSPECTION & REPLACEMENT (SC249)

#### NOTICE

**This bulletin has been revised to include additional information. New/revised sections of this bulletin are indicated by a black bar in the margin area.**

This bulletin provides information to inspect certain 2016-2023MY Kia vehicles listed on page 5. To determine whether or not the subject vehicles are equipped with a Genuine Kia Tow Hitch Harness accessory, refer to page 2. If the customer's vehicle is equipped with a Genuine Kia Tow Hitch Harness accessory, dealers are to replace the tow hitch harness with an improved one, and if necessary, replace the tow hitch harness fuse with a 15A fuse. A fire may occur in the area of the tow hitch harness module while driving or while the vehicle is parked with the ignition OFF. Foreign materials and moisture contamination on the tow hitch harness module printed circuit board (PCB) may result in an electrical short circuit, increasing the risk of a tow hitch harness module fire. Follow the procedure outlined in this publication to replace the tow hitch harness with an improved one and, if necessary, replace the tow hitch harness fuse with a 15A fuse. Before conducting the procedure, verify that the vehicle is included in the list of affected VINs.

#### NOTICE

**There is no charge to the vehicle owner for this repair. Under applicable law, you may not sell or otherwise deliver any affected vehicle until it has been repaired pursuant to the procedures set forth in this bulletin.**

#### NOTICE

**To assure complete customer satisfaction, always remember to refer to KDealer+ Warranty Coverage (validation) Inquiry Screen (Service → Warranty Coverage → Warranty Coverage Inquiry) for a list of any additional campaigns that may need to be performed on the vehicle before returning it to the customer.**

## 'Genuine Kia' Harness Claim Guidelines:

**📌 IMPORTANT**

**SC249 A/B will remain active with an 'effective to' date of 7/26/2023 to complete/close campaign. VINs that have had the repair performed on or prior to this date, will still be able to submit their claims. Claims on or after 7/26/2023 are required to be completed by performing SC249 C/D/E/F.**

Installation Type	Claim Type	Campaign VINs
Port Installed Option (PIO)	Trailer Harness Inspection & 15A Fuse Installation (If necessary)	SC249 <u>A</u>
Dealer Installed Option (DIO)	Trailer Harness Inspection & 15A Fuse Installation (If necessary)	SC249 <u>B</u>
Not Installed	Inspection Only	
PIO SC249 <u>A</u> <b>Completed</b>	Wire Harness Replacement (PNP)	SC249 <u>C</u>
	Wire Harness Replacement (WTB)	
PIO SC249 <u>A</u> <b>Open</b>	Fuse Inspection <b>(OK)</b> + Wire Harness Replacement (PNP)	SC249 <u>D</u>
	Fuse Inspection <b>(NG)</b> + Wire Harness Replacement (PNP)	
	Fuse Inspection <b>(OK)</b> + Wire Harness Replacement (WTB)	
	Fuse Inspection <b>(NG)</b> + Wire Harness Replacement (WTB)	
DIO SC249 <u>B</u> <b>Completed</b>	Wire Harness Replacement (PNP)	SC249 <u>E</u>
	Wire Harness Replacement (WTB)	
	Inspection Only	
DIO SC249 <u>B</u> <b>Open</b>	Fuse Inspection <b>(OK)</b> + Wire Harness Replacement (PNP)	SC249 <u>F</u>
	Fuse Inspection <b>(NG)</b> + Wire Harness Replacement (PNP)	
	Fuse Inspection <b>(OK)</b> + Wire Harness Replacement (WTB)	
	Fuse Inspection <b>(NG)</b> + Wire Harness Replacement (WTB)	
	Inspection Only	

## SUBJECT: TRAILER TOW HITCH HARNESS INSPECTION &amp; REPLACEMENT (SC249)

Tow Hitch Inspection Procedure: **SC249E** and **SC249F**

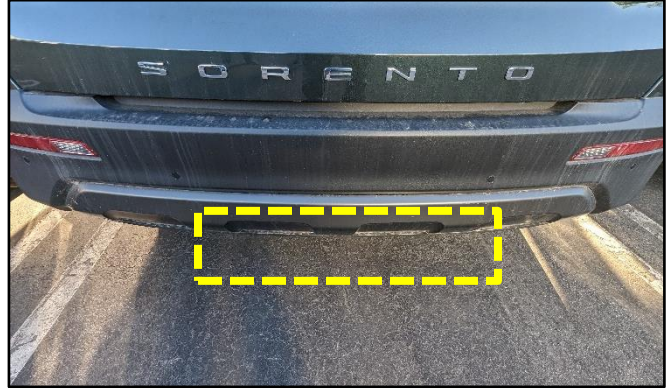
1. Inspect the rear of the vehicle (**SC249E&F**).

- Vehicle is **not equipped** with a 'Genuine Kia' Trailer Tow Hitch Harness. No further action is required.

Claim as:

(SC249A **Completed**) A5222R14

(SC249B **Open**) A5212R18



- Vehicle is **equipped** with a 'Genuine Kia' Trailer Tow Hitch Harness. Proceed to inspect the applicable fuse based on the trailer harness type as indicated on pages 4-5.



**Fuse Inspection and Replacement Procedure:****(Plug and Play Type) SC249D and SC249F** Certain Sorento (UMA, MQ4a, MQ4 P/HEV)

1. Remove the junction box cover.
2. Locate the TRAILER fuse.

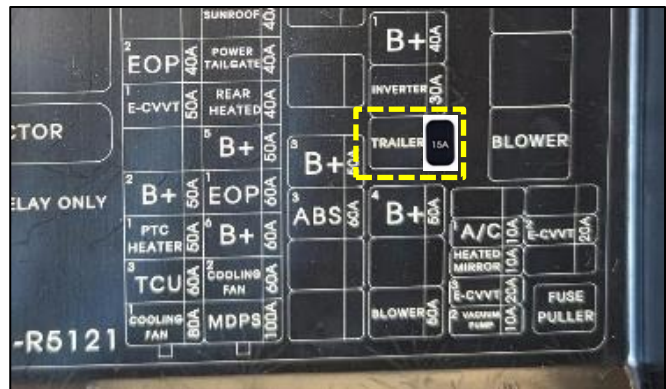
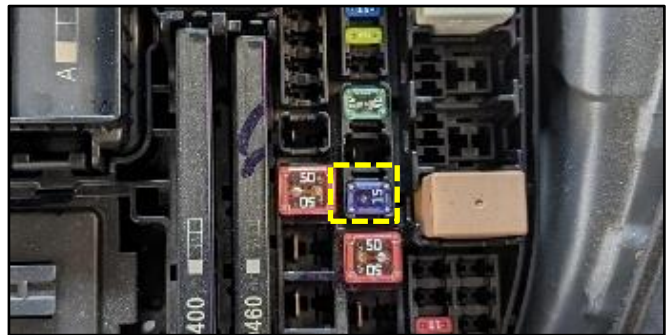
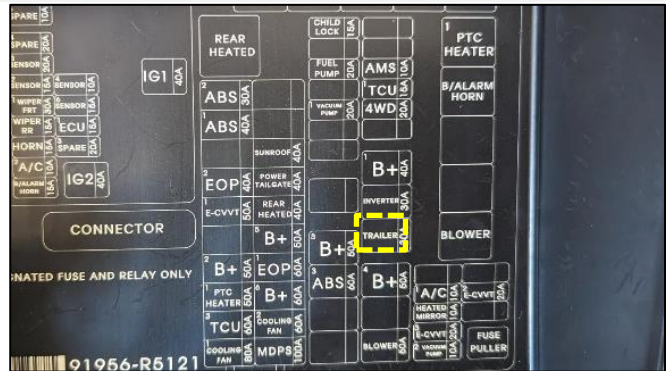
**Note:** If the vehicle is NOT equipped with a 'Plug and Play Tow Hitch Trailer Harness, proceed to page 5 to inspect the fuse secured next to the junction box.

3. Is the vehicle equipped with a 15A fuse?
  - If a 15A fuse is installed (OK), proceed to step 7.
  - If a 15A fuse is not installed (NG), replace the existing fuse with the 15A fuse and proceed to step 4.

4. Confirm the 15A fuse is securely installed.

5. Clean the inner surface of the junction box cover using a clean cloth.
6. Adhere the 15A fuse decal to the inside of the junction box cover TRAILER fuse location shown.
7. Reinstall the junction box cover.

8. Proceed to the 'Tow Hitch Harness Replacement Procedure' based on the trailer harness type as indicated in the table on page 6.



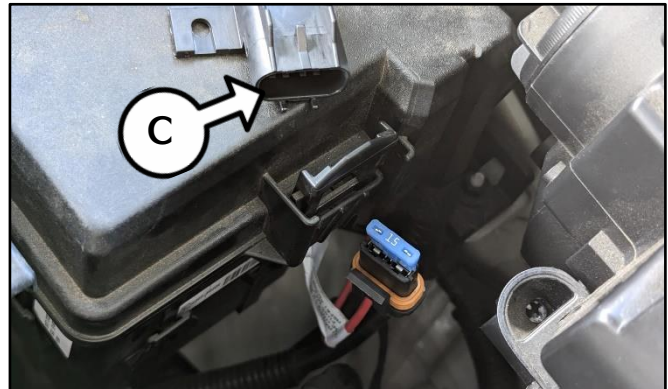
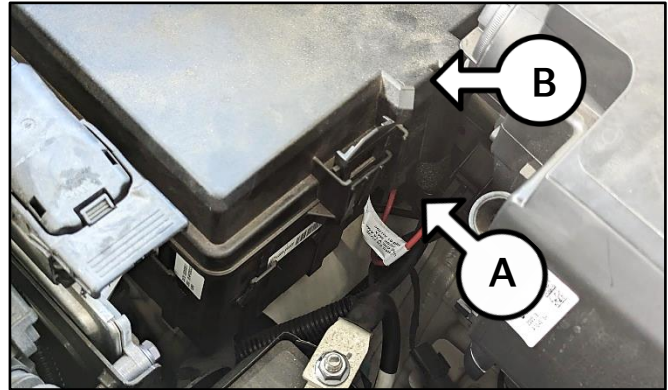


## SUBJECT: TRAILER TOW HITCH HARNESS INSPECTION &amp; REPLACEMENT (SC249)

**Fuse Inspection and Replacement Procedure:****(Wire to Battery Type) SC249D and SC249F**

All Sportage (QL) and certain Sorento (UMa, MQ4a, MQ4 P/HEV)

1. Open the hood.
2. Locate the 'Wired to Battery' (WTB) Trailer Tow Hitch Trailer Harness (A) secured next to the junction box (B). *If equipped.*
3. Remove the fuse holder cover/cap (C).
4. Is the vehicle equipped with a 15A fuse?
  - If a 15A fuse is installed (OK), proceed to step 6.
  - If a 15A fuse is not installed (NG), replace it with a 15A ATO/ATC fuse\*.



\*Locally sourced from a reputable automotive parts supplier.

5. Confirm the 15A fuse is installed.
6. Reinstall the fuse holder cover/cap (C). Proceed to the 'Tow Hitch Harness Replacement Procedure' based on the trailer harness type as outlined in the table on page 6.

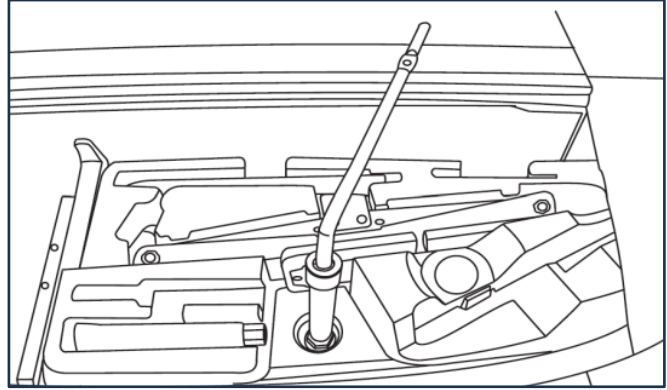
Refer to the table below to proceed to the appropriate 'Tow Hitch Harness Replacement Procedure'.

Model	Type	Procedure	Page
UMa	Plug and Play	Tow Hitch Harness Replacement	7
MQ4a, MQ4 P/HEV			9
UMa	Wired to Battery		11
MQ4a, MQ4 P/HEV			15
QL			18
All	N/A		Trailer Lighting Function Check List

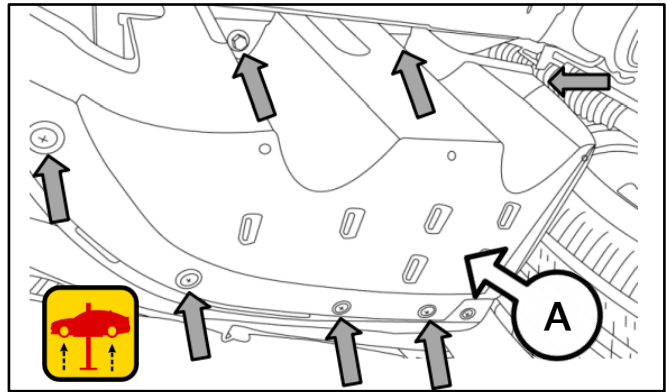
SUBJECT:

**TRAILER TOW HITCH HARNESS INSPECTION & REPLACEMENT (SC249)****Tow Hitch Harness Replacement Procedure: (Plug and Play Type)****Sorento (UMa)**

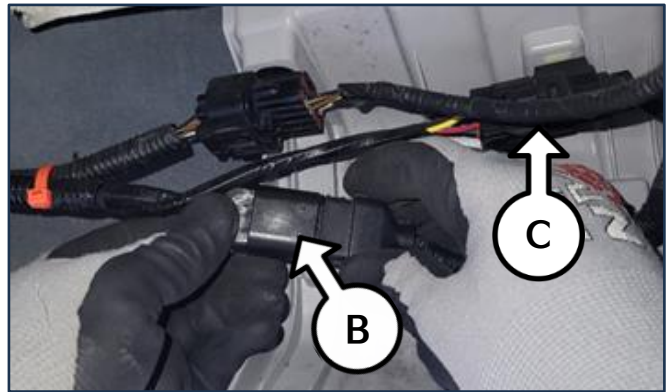
1. Disconnect negative (-) battery terminal.
2. Open the cargo floor storage to lower and remove the spare tire.



3. Remove the push-clips and bolts to remove driver's side rear bumper aero undercover (A).



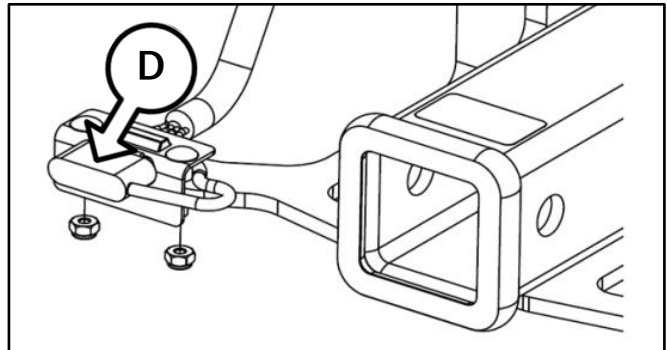
4. Disconnect the 2-pin (B) and 6-pin (C) prewire connectors.



5. Loosen to the two (2) nuts to remove the 4-pin tow hitch harness connector (D).

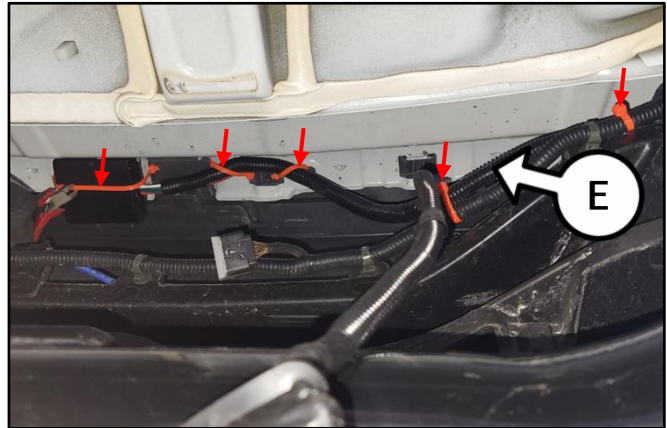


Tightening torque for harness connector (D):  
12.0 lbf.in (1.36 N.m)



6. Using a diagonal plier, cut the five (5) zip-ties securing the tow hitch harness (E) to the vehicle located in the center of the rear bumper.

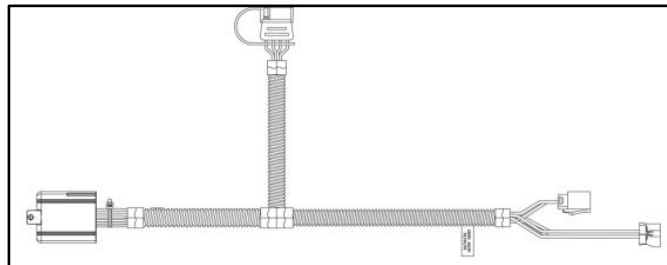
**Note:** High visibility zip-ties in photos are used for visibility purposes only. Actual zip-ties in the vehicle will be black.



7. Using a diagonal plier, cut the two (2) zip-ties securing the tow hitch harness (E) to the vehicle located underneath the aero undercover (A).



8. Remove the tow hitch harness.



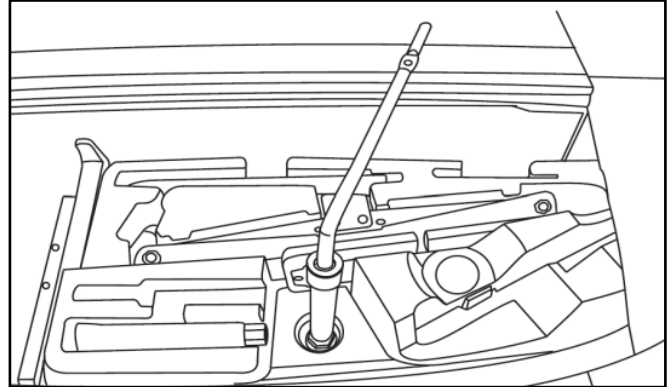
9. Refer to the Kia Genuine Accessories Information [Tow Hitch Harness Plug-n-Play Instruction Sheet](#) on KGIS to install the new tow hitch harness.
10. Reinstall all removed parts in reverse order of removal.
11. Proceed to page 23 to perform the trailer lighting Function Check List below and confirm normal operation.



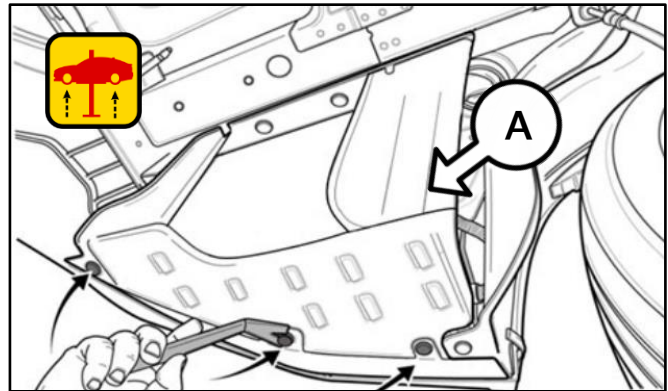
SUBJECT:

**TRAILER TOW HITCH HARNESS INSPECTION & REPLACEMENT (SC249)****Tow Hitch Harness Replacement Procedure: (Plug and Play Type)****Sorento (MQ4 P/HEV, MQ4a)**

1. Disconnect negative (-) battery terminal.
2. Open the cargo floor storage to lower and remove the spare tire.



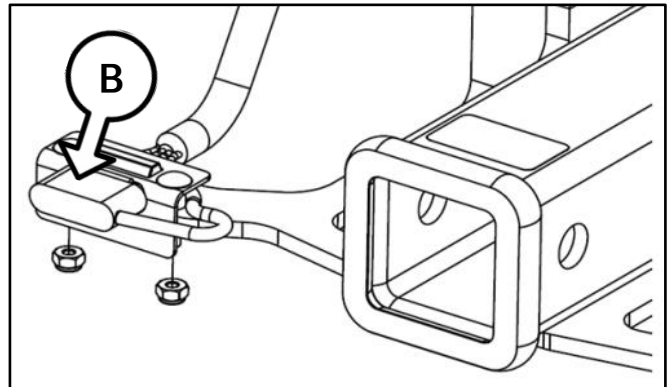
3. Remove the clips to remove the driver's aero undercover (A).



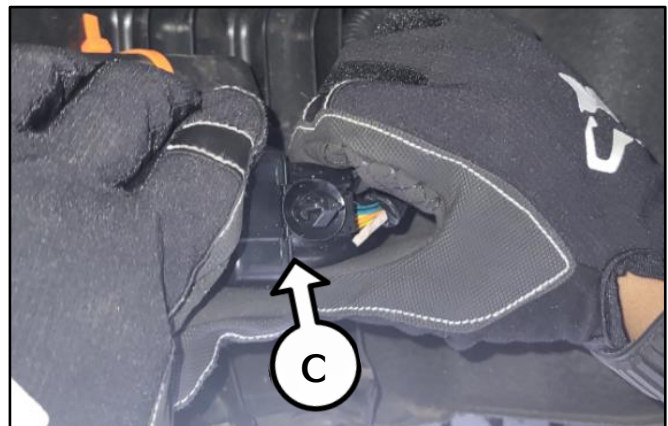
4. Loosen to the two (2) nuts to remove the 4-pin tow hitch harness connector (B).



Tightening torque for harness connector (B):  
12.0 lbf.in (1.36 N.m)

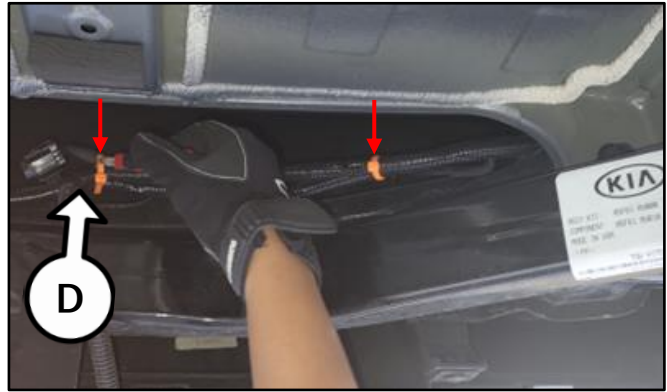


5. Disconnect the 12-pin tow hitch harness connector (C).

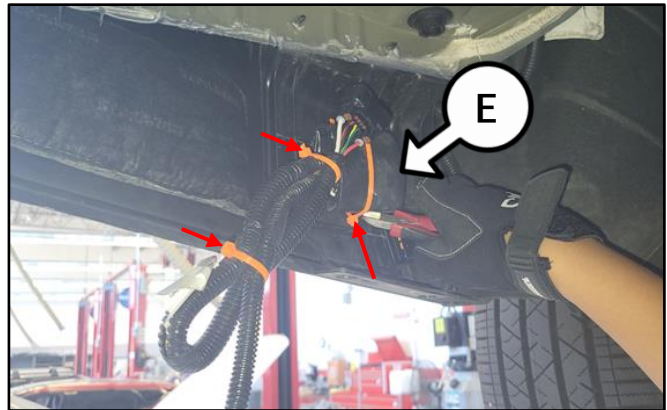


- Using a diagonal plier, cut the three (3) zip-ties securing the tow hitch harness (D) to the vehicle located in the center of the rear bumper.

**Note:** High visibility zip-ties in photos are used for visibility purposes only. Actual zip-ties in the vehicle will be black.



- Using a diagonal plier, cut the two (2) zip-ties securing the tow hitch harness module (E) to the vehicle located underneath the aero undercover (A).

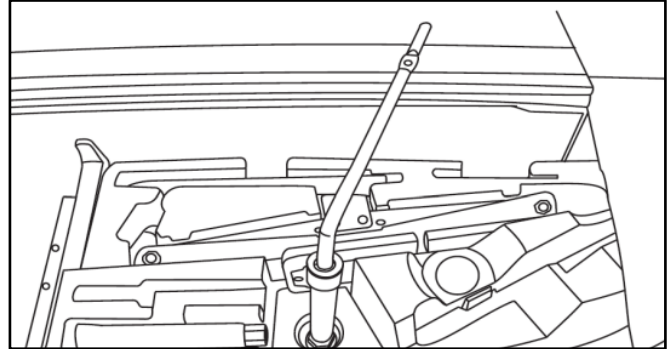


- Refer to Kia Genuine Accessory Information [Tow Hitch Harness Isheet](#) on KGIS to install the tow hitch harness.
- Reinstall all removed parts in reverse order of removal.
- Proceed to page 23 to perform the trailer lighting Function Check List below and confirm normal operation.
- Confirm normal vehicle operation.

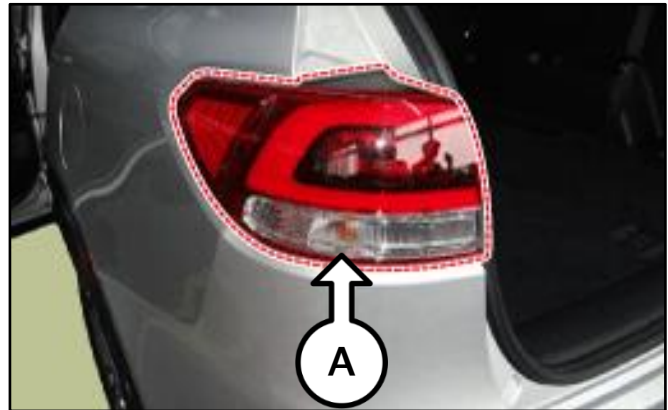
## SUBJECT: TRAILER TOW HITCH HARNESS INSPECTION &amp; REPLACEMENT (SC249)

**Tow Hitch Harness Replacement Procedure: (Wired to Battery Type)****Sorento (UMa)**

1. Disconnect negative (-) battery terminal.
2. Open the cargo floor storage to lower and remove the spare tire.



3. Remove both left and right rear combination lamps (A) by referring to "Body Electrical System → Lighting System → Rear combination lamp → Repair procedures" in the applicable Shop Manual on KGIS.



- 4a. Using a diagonal plier, cut the zip-tie securing tow hitch harness to the vehicle harness.

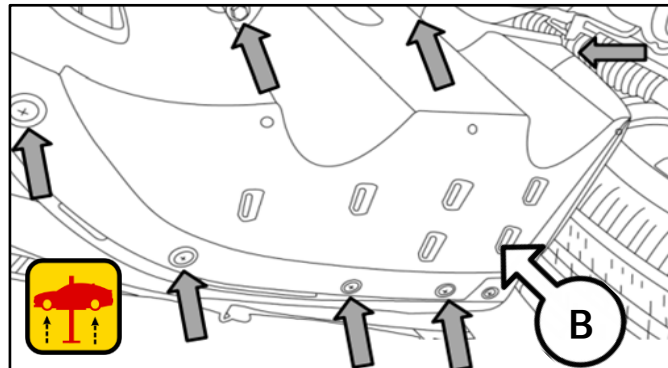
- 4b. Remove the foam tape covering the connectors.

- 4c. Disconnect the tow hitch harness from rear combination lamp harness.



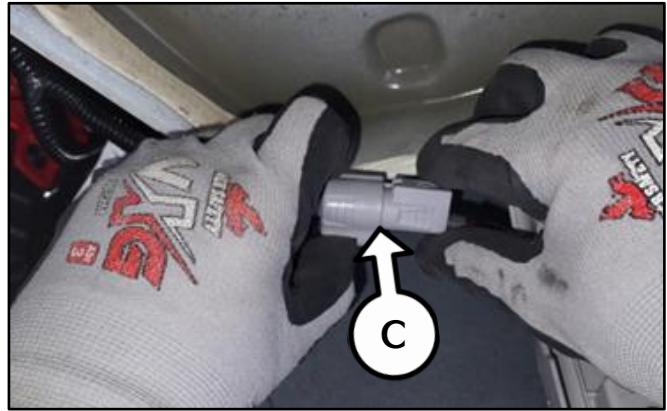
- 4d. Push the tow hitch harness down into the rear bumper.

5. Remove the push-clips and bolts to remove driver's side rear bumper aero undercover (B).

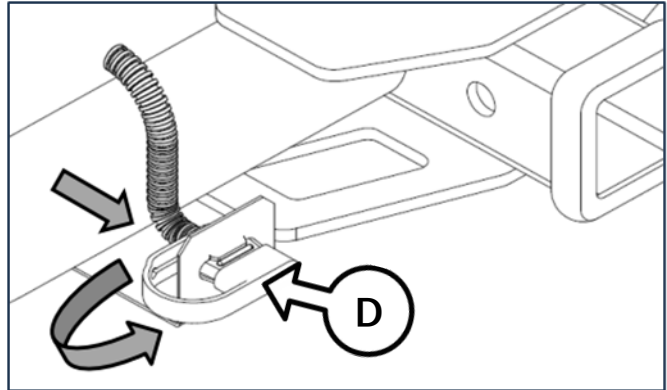


6. Disconnect the 1-pin tow hitch harness battery harness connector (C).

Note: This procedure only requires the replacement of the rear section of the harness.

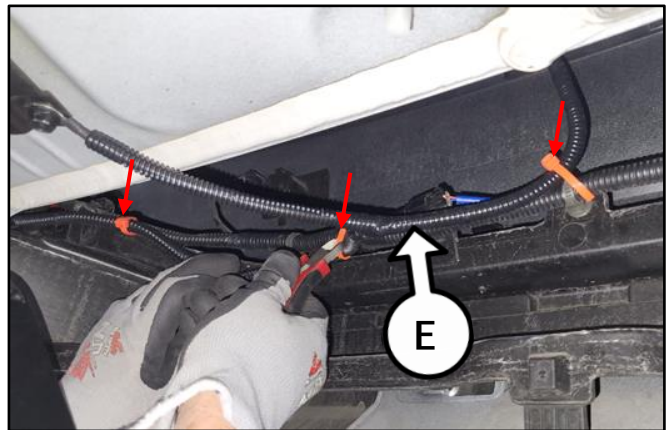


7. Disconnect the 4-pin trailer connector (D) from the tow hitch.

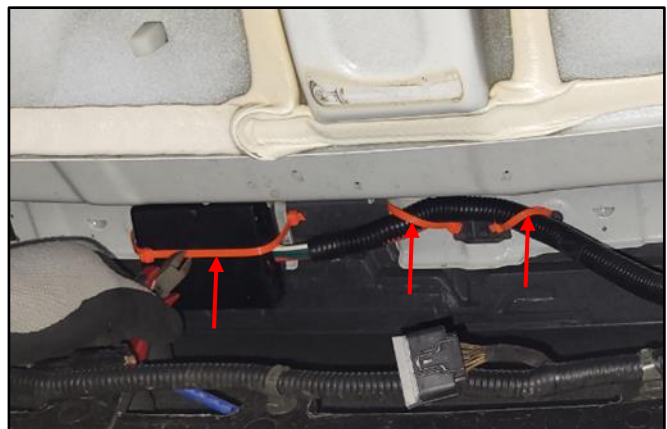


8. Using a diagonal plier, cut the three (3) zip-ties securing the tow hitch harness (E) to the vehicle located in the center of the rear bumper.

Note: High visibility zip-ties in photos are used for visibility purposes only. Actual zip-ties in the vehicle will be black.



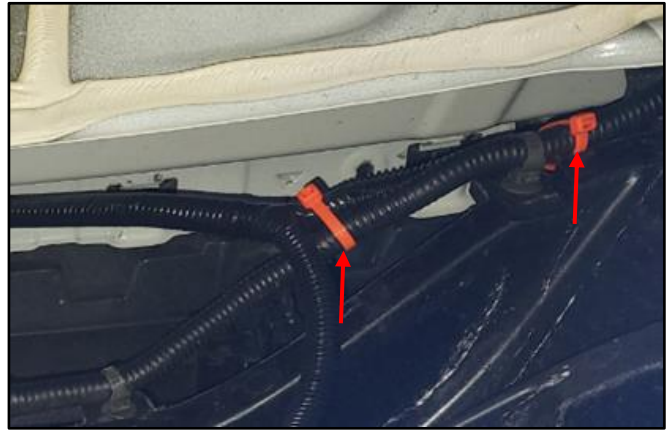
9. Using a diagonal plier, cut the three (3) zip-ties securing the tow hitch harness module to the vehicle located in the center of the rear bumper.





## SUBJECT: TRAILER TOW HITCH HARNESS INSPECTION &amp; REPLACEMENT (SC249)

10. Using a diagonal plier, cut the two (2) zip-ties securing the tow hitch harness to the vehicles wire harness located underneath the aero undercover (B).



11. Remove the tow hitch harness ground bolt (F) from the spare tire hoist assembly.



12. Pull down to remove the tow hitch harness.



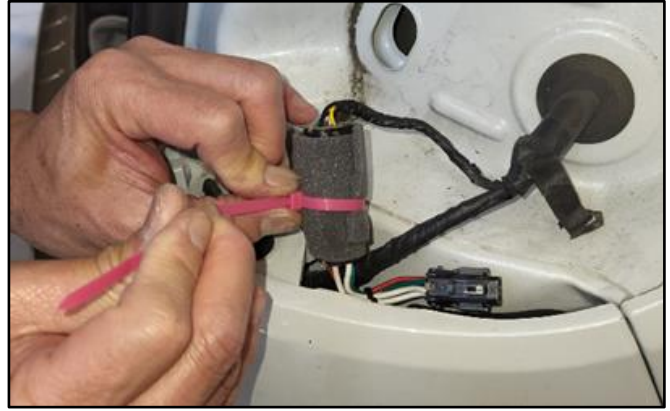
13. Refer to Kia Genuine Accessory Information [Tow Hitch Harness - Battery Instruction Sheet](#) on KGIS to install the new tow hitch harness.

14. Wrap the tow hitch harness connector with the included foam tape, as shown.





15. Secure the tow hitch harness connector with an included zip-tie, as shown.

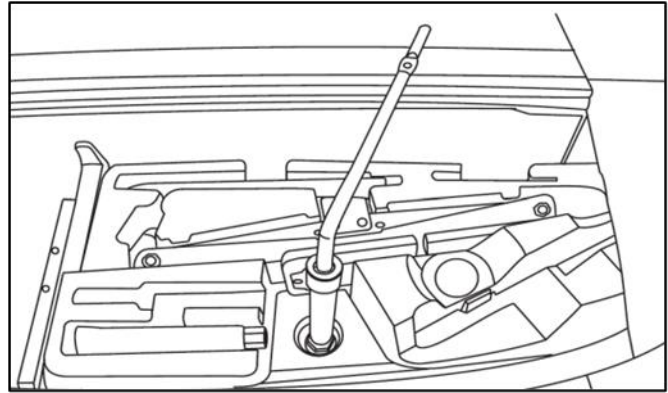


16. Reinstall all removed parts in reverse order of removal.
17. Proceed to page 23 to perform the Trailer Lighting Function Check List below and confirm normal operation.
18. Confirm normal vehicle operation.

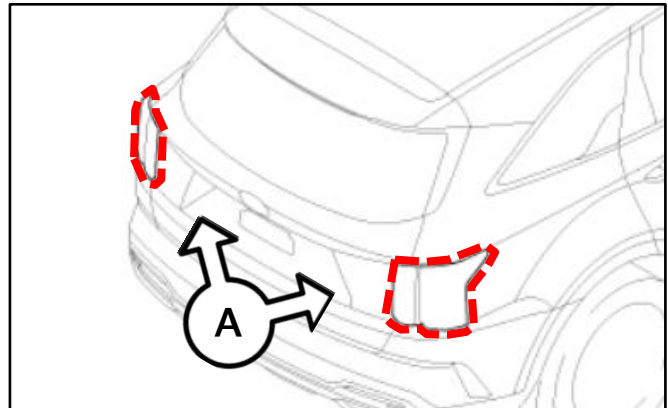
## SUBJECT: TRAILER TOW HITCH HARNESS INSPECTION &amp; REPLACEMENT (SC249)

**Tow Hitch Harness Replacement Procedure: (Wired to Battery Type)****Sorento (MQ4 P/HEV, MQ4a)**

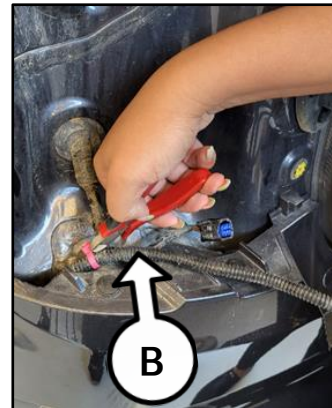
1. Disconnect negative (-) battery terminal.
2. Open the cargo floor storage to lower and remove the spare tire.



3. Remove both left and right rear combination lamps (A) by referring to "Body Electrical System → Lighting System → Rear combination lamp → Repair procedures" in the applicable Shop Manual on KGIS.



- 4a. Using a diagonal plier, cut the zip-tie securing the tow hitch harness (B) to the rear combination lamp harness.

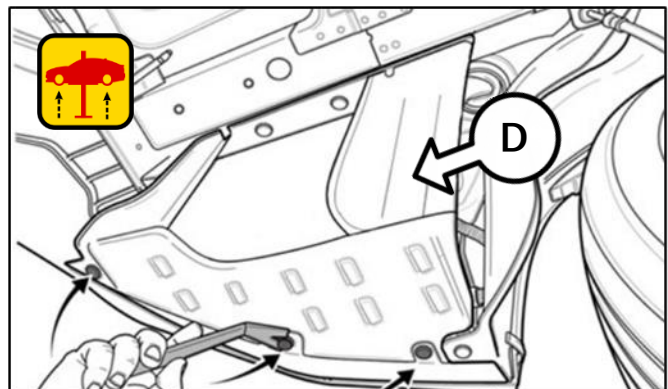


- 4b. Disconnect the tow hitch harness (C) from the rear combination lamp harness.



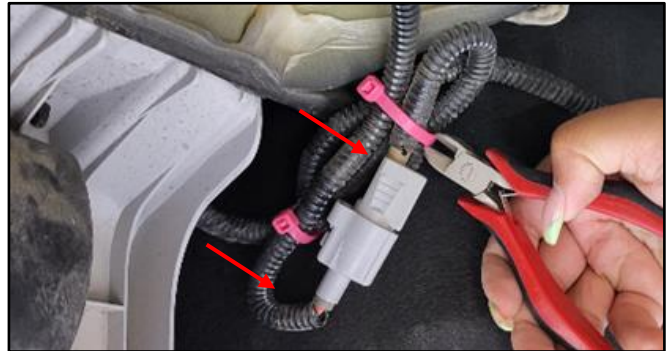
- 4c. Push the tow hitch harness (C) down into the bumper area.

5. Remove the to remove the driver's aero undercover (D).



- Using a diagonal plier, cut the one (1) or two (2) zip-ties(s) bundling the tow hitch harness (B) excess located under the aero undercover (C).

Note: High visibility zip-ties in photos are used for visibility purposes only. Actual zip-ties in the vehicle will be black.

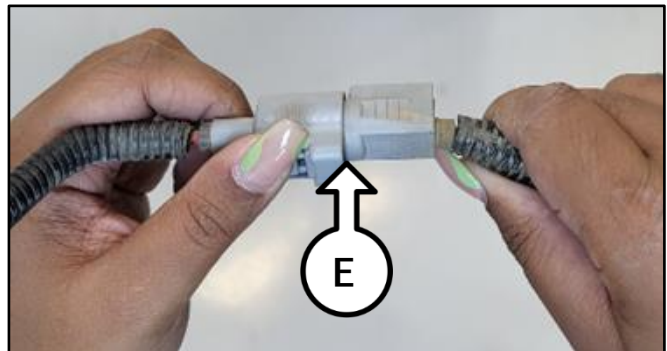


- Using a diagonal plier, cut the two (2) zip-ties securing the tow hitch harness module to the vehicle located under the aero undercover (C).



- Disconnect the 1-pin tow hitch harness connector (E).


Note: This procedure only requires the replacement of the rear section of the harness.



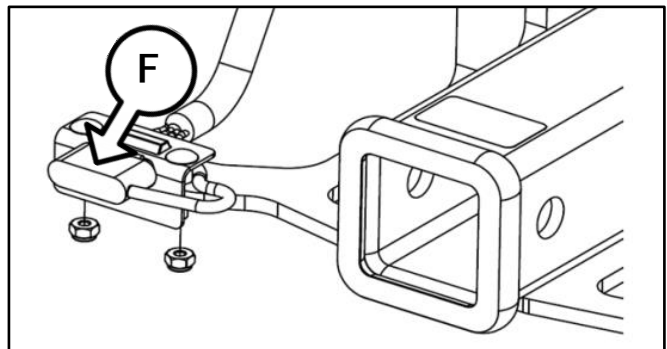
- Using a diagonal plier, cut the three (3) zip-ties securing the tow hitch harness module to the vehicle located in the center of the rear bumper.



- Loosen to the two (2) nuts to remove the 4-pin tow hitch harness connector (F).

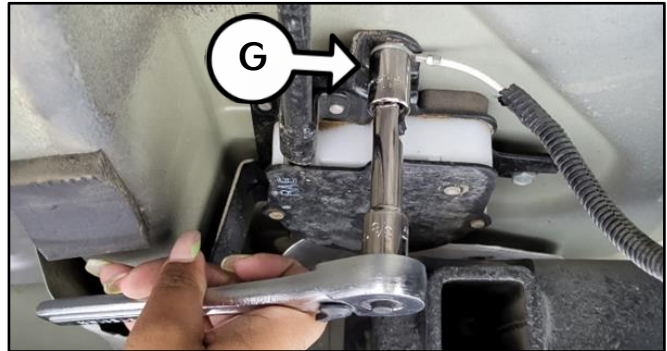


**Tightening torque for harness connector (F):  
12.0 lbf.in (1.36 N.m)**



## SUBJECT: TRAILER TOW HITCH HARNESS INSPECTION &amp; REPLACEMENT (SC249)

12. Remove the tow hitch harness ground bolt (G) from the spare tire hoist assembly.



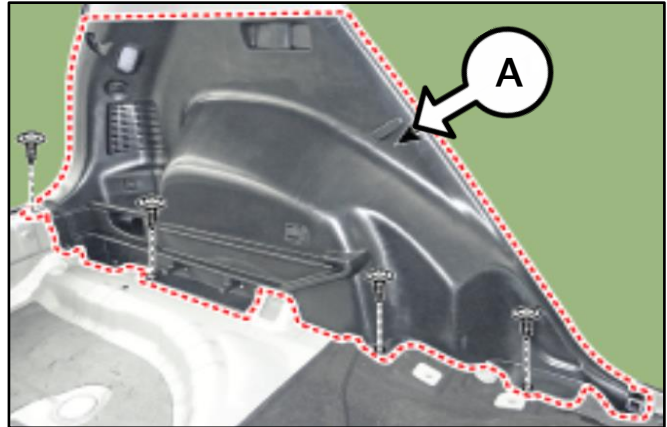
13. Refer to Kia Genuine Accessory Information [Tow Hitch Harness Isheet](#) on KGIS to install the tow hitch harness.
14. Reinstall all removed parts in reverse order of removal.
15. Proceed to page 23 to perform the Trailer Lighting Function Check List below and confirm normal operation.
16. Confirm normal vehicle operation.



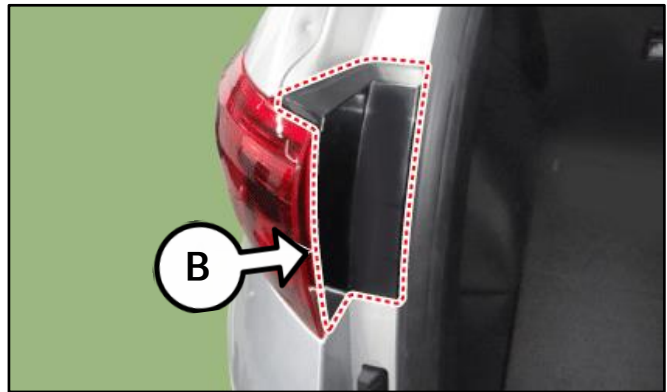
## Tow Hitch Harness Replacement Procedure: (Wired to Battery Type)

### Sportage (QL)

1. Disconnect negative (-) battery terminal.
2. Remove luggage side trim (A) by referring to "Body (Interior and Exterior) → Interior Trim → Luggage Side Trim → Repair procedures" in the applicable Shop Manual on KGIS.



3. Remove left rear combination lamp (B) by referring to "Body Electrical System → Lighting System → Rear combination lamp → Repair procedures" in the applicable Shop Manual on KGIS.

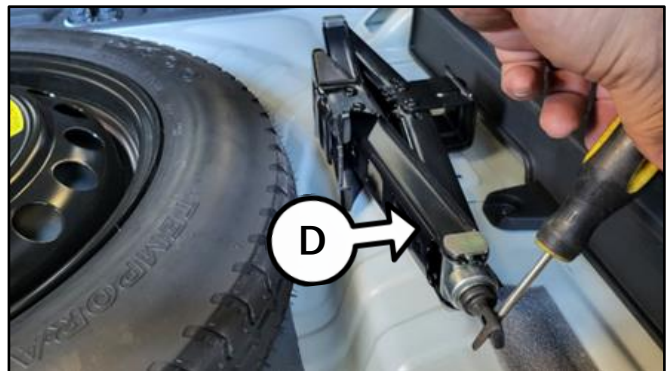


- 4a. Using a diagonal plier, cut the zip-tie securing the tow hitch harness (C) to the rear combination lamp harness.



- 4b. Push the tow hitch harness (C) down into the rear bumper.

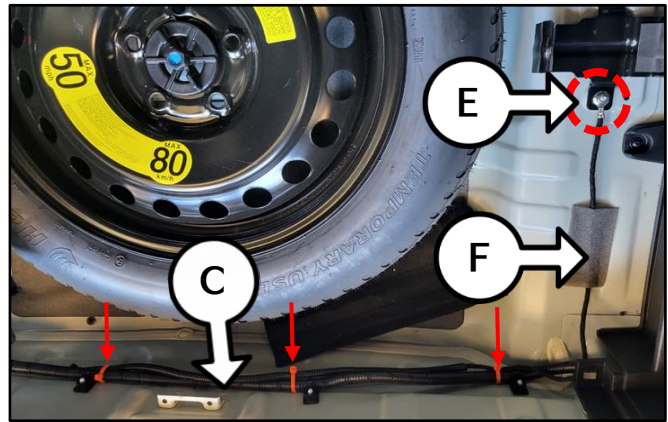
5. Remove the jack (D), if equipped.





## SUBJECT: TRAILER TOW HITCH HARNESS INSPECTION &amp; REPLACEMENT (SC249)

6. Loosen the nut (E) to remove the tow hitch harness (C) ground wire (F).
7. Remove the foam tape securing the harness to the body of the vehicle.
8. Using a diagonal plier, cut the three (3) zip-ties securing the tow hitch harness (C) to the vehicles wire harness located behind the rear transverse trim.

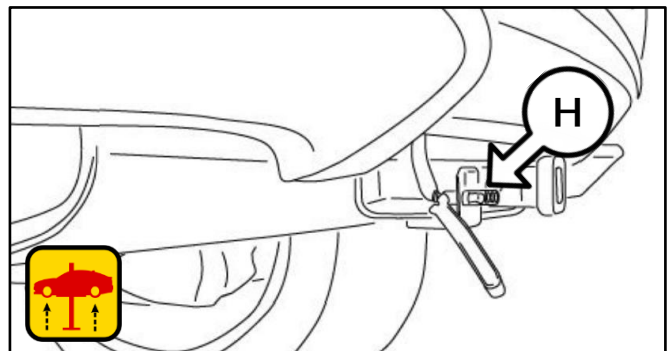


**Note:** High visibility zip-ties in photos are used for visibility purposes only. Actual zip-ties in the vehicle will be black.

9. Disconnect the 12-pin tow hitch harness connector (G).

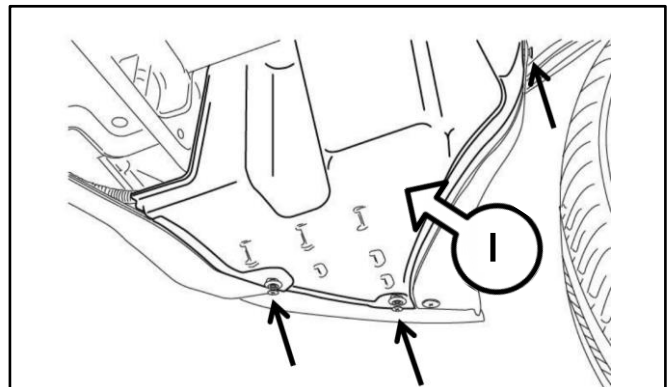


10. Disconnect the 4-pin tow hitch harness connector (H).



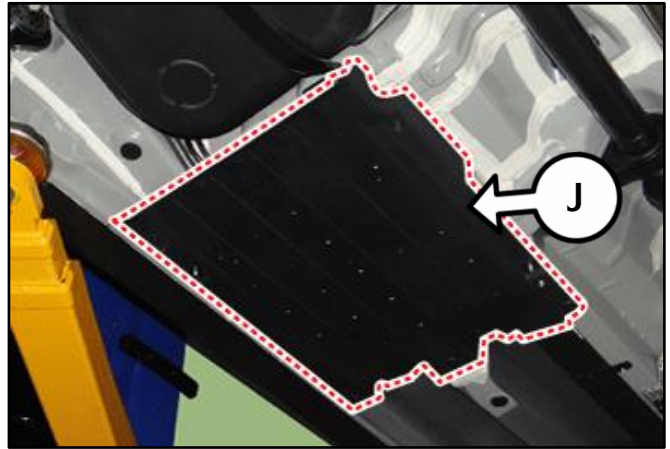
11. Remove the to remove the drivers and passengers side plastic cover (I).

**Note:** Remove the rear mudguard, if equipped.



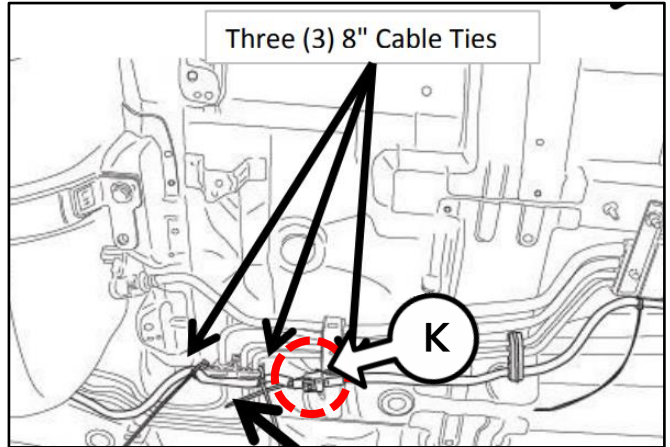
SUBJECT: TRAILER TOW HITCH HARNESS INSPECTION & REPLACEMENT (SC249)

- 12. Loosen the five (5) bolts to remove the driver side undercover (J).

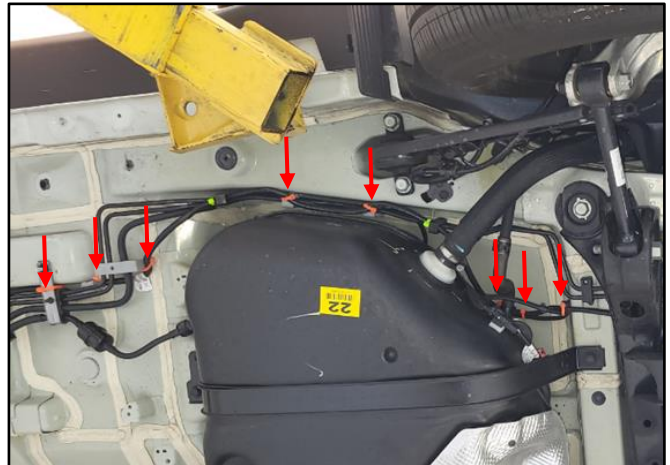


- 14. Disconnect the 1-pin connector (K) of the tow hitch harness.

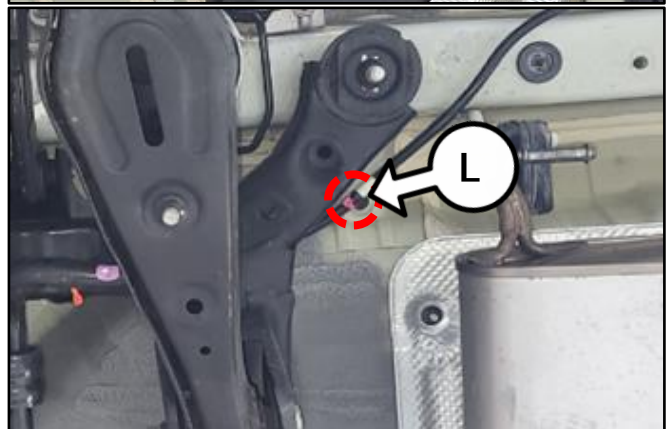
Note: This procedure only requires the replacement of the rear section of the harness.



- 15. Using a diagonal plier, cut the eight (8) zip-ties securing the tow hitch harness to the vehicle.



- 16. Disconnect the push-style zip-tie (L).



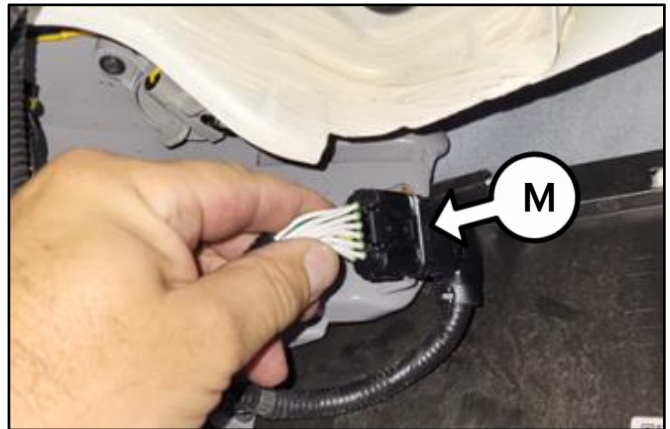
SUBJECT:

**TRAILER TOW HITCH HARNESS INSPECTION & REPLACEMENT (SC249)**

17. Disconnect the tow hitch harness from the two (2) brake line clips.



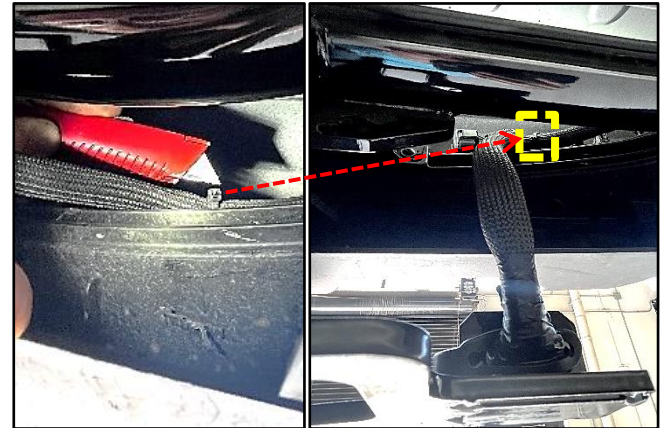
18. Disconnect the 12-pin connector (M).



19. Using a utility knife or razor blade, carefully cut the zip-tie attaching the tow hitch harness to the vehicle located in the center of the rear bumper.

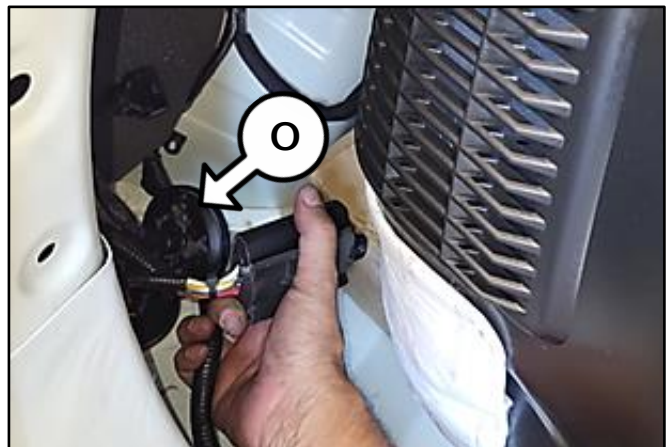
**! WARNING**

Use extreme caution when removing zip-tie as sharp blades can cause serious injury.



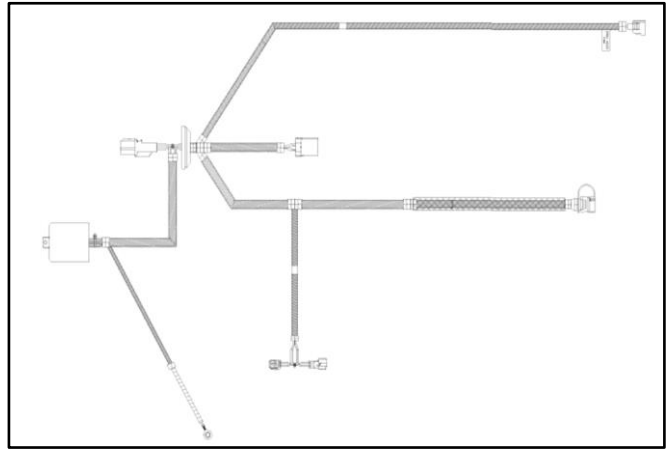
20. Lower the vehicle.

21. From the inside of the vehicle, pull the out the tow hitch harness through the body plug/wire harness grommet (O).





22. Refer to Kia Genuine Accessory Information [Tow Hitch Harness Instruction Sheet](#) on KGIS to install the new tow hitch harness.



23. Reinstall all removed parts in reverse order of removal.
24. Proceed to page 23 to perform the Trailer Lighting Function Check List below and confirm normal operation.
25. Confirm normal vehicle operation.

SUBJECT: TRAILER TOW HITCH HARNESS INSPECTION & REPLACEMENT (SC249)

Trailer Lighting Function Check List

Trailer Light Function Check						
IG position	Headlight position	Input	Trailer Test Light Expected Output	OK or NG?		
0 (off)	0 (off)	<none>	all lights off			
		L turn signal	↑			
		R turn signal	↑			
		Hazard button	slow flash, R & L brake light			
		Brake pedal	solid light, R & L brake light			
		Hazard + Brake	solid light, R & L brake light			
	1 (driving light)	<none>	solid low light, R & L brake lights			
		L turn signal	↑			
		R turn signal	↑			
		Hazard button	slow flash, R & L brake light			
		Brake pedal	solid light, R & L brake light			
		Hazard + Brake	solid light, R & L brake light			
		1 (ACC)	0 (off)	<none>	all lights off	
				L turn signal	slow flash, L brake light	
R turn signal	slow flash, R brake light					
Hazard button	slow flash, R & L brake light					
Brake pedal	solid light, R & L brake light					
L turn + Brake	solid R brake light, slow flash L brake light					
R turn + Brake	solid L brake light, slow flash R brake light					
Hazard + Brake	solid light, R & L brake light					
1 (driving light)	<none>		solid low light, R & L brake lights			
	L turn signal		slow flash, L brake light			
	R turn signal		slow flash, R brake light			
	Hazard button		slow flash, R & L brake light			
	Brake pedal		solid light, R & L brake light			
	Hazard + Brake		solid light, R & L brake light			
2 (Engine On)	0 (off)	<none>	all lights off			
		L turn signal	slow flash, L brake light			
		R turn signal	slow flash, R brake light			
		Hazard button	slow flash, R & L brake light			
		Brake pedal	solid light, R & L brake light			
		L turn + Brake	solid R brake light, slow flash L brake light			
		R turn + Brake	solid L brake light, slow flash R brake light			
		Hazard + Brake	solid light, R & L brake light			
	1 (driving light)	<none>	solid low light, R & L brake lights			
		L turn signal	slow flash, L brake light			
		R turn signal	slow flash, R brake light			
		Hazard button	slow flash, R & L brake light			
		Brake pedal	solid light, R & L brake light			
		Hazard + Brake	solid light, R & L brake light			





**SUBJECT: TRAILER TOW HITCH HARNESS INSPECTION & REPLACEMENT (SC249)**
**AFFECTED VEHICLE RANGE:**

MY	Model	Production Date Range
21-23	Sorento (MQ4a)	September 10, 2020 to September 12, 2022
22-23	Sorento HEV, PHEV (MQ4 P/HEV)	September 2, 2020 to August 31, 2022
17-22	Sportage (QL)	December 10, 2015 to December 7, 2021
16-20	Sorento (UMa)	October 27, 2014 to November 4, 2020

**REQUIRED TOOL:**

Tool Name	Figure	Comments
4-Pin Trailer Light Wire Circuit Tester		Locally Sourced

**REQUIRED PART:**

Model	Part Name	Part Number	Figure	Qty.
All	15A Fuse & Label Kit (Plug & Play Type)	18790 04930QQK		1
All	15A ATO/ATC Fuse* (Wire to Battery Type)	N/A		1
UMa	Tow Hitch Harness (Plug & Play Type)	C6F61 AU100QQK	N/A	1
UMa	Tow Hitch Harness (Wire to Battery Type)	C6F61 AU000QQK	N/A	1
QL	Tow Hitch Harness (Wired to Battery Type)	D9F61 AU000QQK	N/A	1
MQ4a MQ4 P/HEV	Tow Hitch Harness (Plug & Play Type)	R5F61 AU300QQK	N/A	1
MQ4a MQ4 P/HEV	Tow Hitch Harness (Wired to Battery Type)	R5F61 AU400QQK	N/A	1

\*Locally sourced from a reputable automotive parts supplier.

SUBJECT: TRAILER TOW HITCH HARNESS INSPECTION &amp; REPLACEMENT (SC249)

WARRANTY INFORMATION: SC249C (PIO) - PNP

N Code: N99 C Code: C99

Model	Claim Type	Causal P/N	Qty.	Repair Description	Labor Op Code	Op Time	Replacement P/N	Qty.
16MY (UMa)	R	C6061 ADUSH	0	(SC249C) Tow Hitch Harness Replacement (PIO Equipped Plug & Play)	A5232RR2	0.6 M/H	C6F61 AU100QQK	1
17-20MY (UMa)		C6061 ADUSG			A5232RR3			
21-23MY (MQ4a)		R5F61 AU100			A5232RR4	0.6 M/H	R5F61 AU300QQK	
22-23MY (MQ4 P/HEV)		R5F61 AU200			A5232RR5			

Note: Refer to Warranty Bulletin 2022-40 for claim submission procedures.

 NOTICE

VIN inquiry data for this repair is provided for tracking purposes only. Kia retailers should reference SC249 when accessing the KDealer+ system.



SUBJECT:

**TRAILER TOW HITCH HARNESS INSPECTION & REPLACEMENT (SC249)**WARRANTY INFORMATION: **SC249C (PIO) - WTB**

N Code: N99 C Code: C99

Model	Claim Type	Causal P/N	Qty.	Repair Description	Labor Op Code	Op Time	Replacement P/N	Qty.
16MY (UMa)	R	C6061 ADUSH	0	(SC249C) Tow Hitch Harness Replacement (PIO Equipped Wired to Battery)	A5233RR2	0.8 M/H	C6F61 AU000QQK	1
17-20MY (UMa)		C6061 ADUSG			A5233RR3			
21-23MY (MQ4a)		R5F61 AU100			A5233RR4	0.9 M/H	R5F61 AU400QQK	
22-23MY (MQ4 P/HEV)		R5F61 AU200			A5233RR5			
17-22MY (QL)		D9061 ADUSA			A5233RR6	1.2 M/H	D9F61 AU000QQK	

Note: Refer to Warranty Bulletin 2022-40 for claim submission procedures.

**NOTICE**

VIN inquiry data for this repair is provided for tracking purposes only. Kia retailers should reference **SC249** when accessing the KDealer+ system.



SUBJECT:

**TRAILER TOW HITCH HARNESS INSPECTION & REPLACEMENT (SC249)**WARRANTY INFORMATION: **SC249D (PIO) - PNP**

N Code: N99 C Code: C99

Model	Claim Type	Causal P/N	Qty.	Repair Description	Labor Op Code	Op Time	Replacement P/N	Qty.
16MY (UMa)	R	C6061 ADUSH	0	(SC249D) Fuse Inspection (OK) + Tow Hitch Harness Replacement (PIO Equipped Plug & Play)	A5232RR6	0.6 M/H	C6F61 AU100QQK	1
17-20MY (UMa)		C6061 ADUSG			A5232RR7			
21-23MY (MQ4a)		R5F61 AU100			A5232RR8	0.6 M/H	R5F61 AU300QQK	
22-23MY (MQ4 P/HEV)		R5F61 AU200			A5232RR9			
16MY (UMa)	R	C6061 ADUSH	0	(SC249D) Fuse Inspection (NG) + Tow Hitch Harness Replacement (PIO Equipped Plug & Play)	A5232R10	0.6 M/H	C6F61 AU100QQK <u>and</u> 18790 04930QQK	1
17-20MY (UMa)		C6061 ADUSG			A5232R11			
21-23MY (MQ4a)		R5F61 AU100			A5232R12	0.6 M/H	R5F61 AU300QQK <u>and</u> 18790 04930QQK	
22-23MY (MQ4 P/HEV)		R5F61 AU200			A5232R13			

**Note:** For labor operations A5232R10 - A5232R13, use sublet code 'X1' with a maximum allowed amount of \$1.80 for 15 AMP ATO or ATC fuse. The fuse must be locally sourced from a reputable automotive parts supplier. Refer to Warranty Bulletin 2022-40 for claim submission procedures.

**NOTICE**

VIN inquiry data for this repair is provided for tracking purposes only. Kia retailers should reference **SC249** when accessing the KDealer+ system.



SUBJECT: TRAILER TOW HITCH HARNESS INSPECTION &amp; REPLACEMENT (SC249)

WARRANTY INFORMATION: **SC249D (PIO) - WTB**

N Code: N99 C Code: C99

Model	Claim Type	Causal P/N	Qty.	Repair Description	Labor Op Code	Op Time	Replacement P/N	Qty.
16MY (UMa)	R	C6061 ADUSH	0	(SC249D) Fuse Inspection (OK) + Tow Hitch Harness Replacement (PIO Equipped Wired to Battery)	A5233RR7	0.8 M/H	C6F61 AU000QQK	1
17-20MY (UMa)		C6061 ADUSG			A5233RR8			
21-23MY (MQ4a)		R5F61 AU100			A5233RR9	0.9 M/H	R5F61 AU400QQK	
22-23MY (MQ4 P/HEV)		R5F61 AU200			A5233R10			
17-22MY (QL)		D9061 ADUSA			A5233R11	1.2 M/H	D9F61 AU000QQK	
16MY (UMa)	R	C6061 ADUSH	0	(SC249D) Fuse Inspection (NG) + Tow Hitch Harness Replacement (PIO Equipped Wired to Battery)	A5233R12	0.8 M/H	C6F61 AU000QQK	1
17-20MY (UMa)		C6061 ADUSG			A5233R13			
21-23MY (MQ4a)		R5F61 AU100			A5233R14	0.9 M/H	R5F61 AU400QQK	
22-23MY (MQ4 P/HEV)		R5F61 AU200			A5233R15			
17-22MY (QL)		D9061 ADUSA			A5233R16	1.2 M/H	D9F61 AU000QQK	

**Note:** For labor operations A5233R12 - A5233R16, use sublet code 'X1' with a maximum allowed amount of \$1.80 for 15 AMP ATO or ATC fuse. The fuse must be locally sourced from a reputable automotive parts supplier. Refer to Warranty Bulletin 2022-40 for claim submission procedures.

 **NOTICE**

VIN inquiry data for this repair is provided for tracking purposes only. Kia retailers should reference **SC249** when accessing the KDealer+ system.



SUBJECT:

**TRAILER TOW HITCH HARNESS INSPECTION & REPLACEMENT (SC249)**WARRANTY INFORMATION: **SC249E (DIO) - PNP**

N Code: N99 C Code: C99

Model	Claim Type	Causal P/N	Qty.	Repair Description	Labor Op Code	Op Time	Replacement P/N	Qty.
16MY (UMa)	R	C6061 ADUSH	0	(SC249E) Tow Hitch Harness Replacement (DIO Equipped Plug & Play)	A5222RR2	0.6 M/H	C6F61 AU100QQK	1
17-20MY (UMa)		C6061 ADUSG			A5222RR3			
21-23MY (MQ4a)		R5F61 AU100			A5222RR4	0.6 M/H	R5F61 AU300QQK	
22-23MY (MQ4 P/HEV)		R5F61 AU200			A5222RR5			
16MY (UMa)	R	C6061 ADUSH	0	(SC249E) No Tow Hitch or Non-Genuine Kia Tow Hitch Installed <b><u>Does Not Apply</u></b>	A5222R14	0.1 M/H	N/A	0
17-20MY (UMa)		C6061 ADUSG						
21-23MY (MQ4a)		R5F61 AU100						
22-23MY (MQ4 P/HEV)		R5F61 AU200						

Note: Refer to Warranty Bulletin 2022-40 for claim submission procedures.

**NOTICE**

VIN inquiry data for this repair is provided for tracking purposes only. Kia retailers should reference **SC249** when accessing the KDealer+ system.



SUBJECT:

## TRAILER TOW HITCH HARNESS INSPECTION &amp; REPLACEMENT (SC249)

WARRANTY INFORMATION: **SC249E (DIO) - WTB**

N Code: N99 C Code: C99

Model	Claim Type	Causal P/N	Qty.	Repair Description	Labor Op Code	Op Time	Replacement P/N	Qty.
16MY (UMa)	R	C6061 ADUSH	0	(SC249E) Tow Hitch Harness Replacement (DIO Equipped Wired to Battery)	A5212RR3	0.8 M/H	C6F61 AU000QQK	1
17-20MY (UMa)		C6061 ADUSG			A5212RR4			
21-23MY (MQ4a)		R5F61 AU100			A5212RR5	0.9 M/H	R5F61 AU400QQK	
22-23MY (MQ4 P/HEV)		R5F61 AU200			A5212RR6			
17-22MY (QL)		D9061 ADUSA			A5212RR7	1.2 M/H	D9F61 AU000QQK	
16MY (UMa)	R	C6061 ADUSH	0	(SC249E) No Tow Hitch or Non-Genuine Kia Tow Hitch Installed <b>Does Not Apply</b>	A5222R14	0.1 M/H	N/A	0
17-20MY (UMa)		C6061 ADUSG						
21-23MY (MQ4a)		R5F61 AU100						
22-23MY (MQ4 P/HEV)		R5F61 AU200						
17-22MY (QL)		D9061 ADUSA						

Note: Refer to Warranty Bulletin 2022-40 for claim submission procedures.

**NOTICE**

VIN inquiry data for this repair is provided for tracking purposes only. Kia retailers should reference **SC249** when accessing the KDealer+ system.

SUBJECT:

**TRAILER TOW HITCH HARNESS INSPECTION & REPLACEMENT (SC249)****WARRANTY INFORMATION: SC249F (DIO) - PNP****N Code: N99 C Code: C99**

Model	Claim Type	Causal P/N	Qty.	Repair Description	Labor Op Code	Op Time	Replacement P/N	Qty.
16MY (UMa)	R	C6061 ADUSH	0	(SC249F) Fuse Inspection (OK) + Tow Hitch Harness Replacement (DIO Equipped Plug & Play)	A5222RR6	0.6 M/H	C6F61 AU100QQK	1
17-20MY (UMa)		C6061 ADUSG			A5222RR7			
21-23MY (MQ4a)		R5F61 AU100			A5222RR8	0.6 M/H	R5F61 AU300QQK	
22-23MY (MQ4 P/HEV)		R5F61 AU200						
16MY (UMa)	R	C6061 ADUSH	0	(SC249F) Fuse Inspection (NG) + Tow Hitch Harness Replacement (DIO Equipped Plug & Play)	A5222R10	0.6 M/H	C6F61 AU100QQK and 18790 04930QQK	1
17-20MY (UMa)		C6061 ADUSG			A5222R11			
21-23MY (MQ4a)		R5F61 AU100			A5222R12	0.6 M/H	R5F61 AU300QQK and 18790 04930QQK	
22-23MY (MQ4 P/HEV)		R5F61 AU200						
16MY (UMa)	R	C6061 ADUSH	0	(SC249F) No Tow Hitch or Non-Genuine Kia Tow Hitch Installed <u>Does Not Apply</u>	A5212R18	0.1 M/H	N/A	0
17-20MY (UMa)		C6061 ADUSG						
21-23MY (MQ4a)		R5F61 AU100						
22-23MY (MQ4 P/HEV)		R5F61 AU200						

**Note:** For labor operations A5222R10 - A5222R13, use sublet code 'X1' with a maximum allowed amount of \$1.80 for 15 AMP ATO or ATC fuse. The fuse must be locally sourced from a reputable automotive parts supplier. Refer to Warranty Bulletin 2022-40 for claim submission procedures.

**NOTICE**

**VIN inquiry data for this repair is provided for tracking purposes only. Kia retailers should reference SC249 when accessing the KDealer+ system.**



SUBJECT:

## TRAILER TOW HITCH HARNESS INSPECTION &amp; REPLACEMENT (SC249)

WARRANTY INFORMATION: **SC249F (DIO) - WTB**

N Code: N99 C Code: C99

Model	Claim Type	Causal P/N	Qty.	Repair Description	Labor Op Code	Op Time	Replacement P/N	Qty.
16MY (UMa)	R	C6061 ADUSH	0	(SC249F) Fuse Inspection (OK) Tow Hitch Harness Replacement (DIO Equipped Wired to Battery)	A521RR8	0.8 M/H	C6F61 AU000QQK	1
17-20MY (UMa)		C6061 ADUSG			A521RR9			
21-23MY (MQ4a)		R5F61 AU100			A521R10	0.9 M/H	R5F61 AU400QQK	
22-23MY (MQ4 P/HEV)		R5F61 AU200						
17-22MY (QL)		D9061 ADUSA			A521R12	1.2 M/H	D9F61 AU000QQK	
16MY (UMa)	R	C6061 ADUSH	0	(SC249F) Fuse Inspection (NG) + Tow Hitch Harness Replacement (DIO Equipped Wired to Battery)	A521R13	0.8 M/H	C6F61 AU000QQK	1
17-20MY (UMa)		C6061 ADUSG			A521R14			
21-23MY (MQ4a)		R5F61 AU100			A521R15	0.9 M/H	R5F61 AU400QQK	
22-23MY (MQ4 P/HEV)		R5F61 AU200						
17-22MY (QL)		D9061 ADUSA			A521R17	1.2 M/H	D9F61 AU000QQK	
16MY (UMa)	R	C6061 ADUSH	0	(SC249F) No Tow Hitch or Non-Genuine Kia Tow Hitch Installed <b>Does Not Apply</b>	A521R18	0.1 M/H	N/A	0
17-20MY (UMa)		C6061 ADUSG						
21-23MY (MQ4a)		R5F61 AU100						
22-23MY (MQ4 P/HEV)		R5F61 AU200						
17-22MY (QL)		D9061 ADUSA						

Note: For labor operations A521R13 - A521R17, use sublet code 'X1' with a maximum allowed amount of \$1.80 for 15 AMP ATO or ATC fuse. The fuse must be locally sourced from a reputable automotive parts supplier. Refer to Warranty Bulletin 2022-40 for claim submission procedures.

 NOTICE

VIN inquiry data for this repair is provided for tracking purposes only. Kia retailers should reference **SC249** when accessing the KDealer+ system.