



**PREVOST**

**SAFETY  
RECALL**


**SR22-13**

|          |  |                  |
|----------|--|------------------|
| DATE:    | January 2023   | SECTION: 18 BODY |
| SUBJECT: | DRIVER SEAT REPLACEMENT WITH RECARO 3-POINT BELT DRIVER SEAT |                  |

First Release

01-19-2023

**APPLICATION**

| <b>NOTICE TO SERVICE CENTERS</b>  |  |
|---|--|
| <i>Verify vehicle eligibility by checking warranty bulletin status with <b>SAP</b> or via <b>ONLINE WARRANTY SYSTEM</b> available on Service / Warranty tab of PrevoSt website.</i>   |  |
| Model   | VIN  |
| X3-45 Commuter<br>Model Year: 2020 - 2023   | <br>From 4RKJ33496L9 [REDACTED] up to 4RKJ33496P9 [REDACTED] incl. |
| This Safety Recall does not necessarily apply to all the above-mentioned vehicles, some vehicles may have been modified before delivery. The owners of the vehicles affected by this recall will be advised by a letter indicating the Vehicle Identification Number (VIN) of each vehicle concerned. |  |

**DESCRIPTION**

On vehicles affected by this recall, replace the existing driver seat with a Recaro 3-point belt driver seat.








**MATERIAL**

Kit SR22-13 includes the following parts:

| Part No. | Description                          | Qty |
|----------|--------------------------------------|-----|
| 868657   | DRIVER SEAT RECARO ORANGE BELT 3 PTS | 1   |

|   |
|---|
| <b>NOTE</b>   |
| <i>Material can be obtained through regular channels.</i> |

## REQUIRED TOOLS

|  |   |
|--|---|
| <p>METRIC OPEN END WRENCH SET</p>           | <p>RATCHET AND SOCKET SET – METRIC/SAE</p>  |
| <p>TORQUE WRENCH AND METRIC SOCKET SET</p>  | <p>CORDLESS DRILL &amp; BITS</p>             |
| <p>CUTTER</p>                               | <p>RULER</p>                                |
| <p>CARBIDE BURRS &amp; POWER TOOL</p>      |   |

## SAFETY PRECAUTIONS

- Eye protection should always be worn when working in a shop.
- Rules for Personal Protection Equipment should always be respected. Wear your PPE including but not limited to the following:



**Safety  
First!**



## PROCEDURE



### DANGER

Park vehicle safely, apply parking brake, stop the engine. Prior to working on the vehicle, set the ignition switch to the OFF position and trip the main circuit breakers equipped with a trip button. On Commuter type vehicles, set the battery master switch (master cut-out) to the OFF position.

Lockout & Tag out (LOTO) must be performed during set-up, maintenance or repair activities. Refer to your local procedure for detailed information regarding the control of hazardous energy.

## FOREWORDS

1. The farebox and the driver barrier do not need to be removed to perform the driver seat replacement.

## PREPARATION

2. Drain the air from the Accessories tank. This tank is found above the secondary air tank. It is provided with a bottom drain valve.

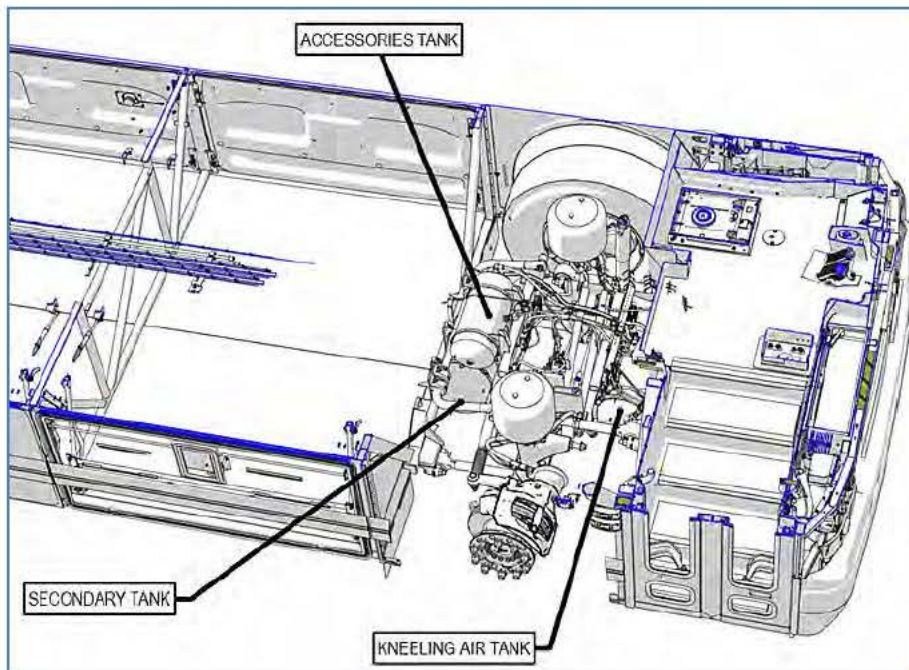


Figure 1

3. Close the drain valve once done.

## SEAT REMOVAL

4. In the front service compartment, disconnect the driver seat harness.



Figure 2

5. Under the driver seat, disconnect the air supply line.

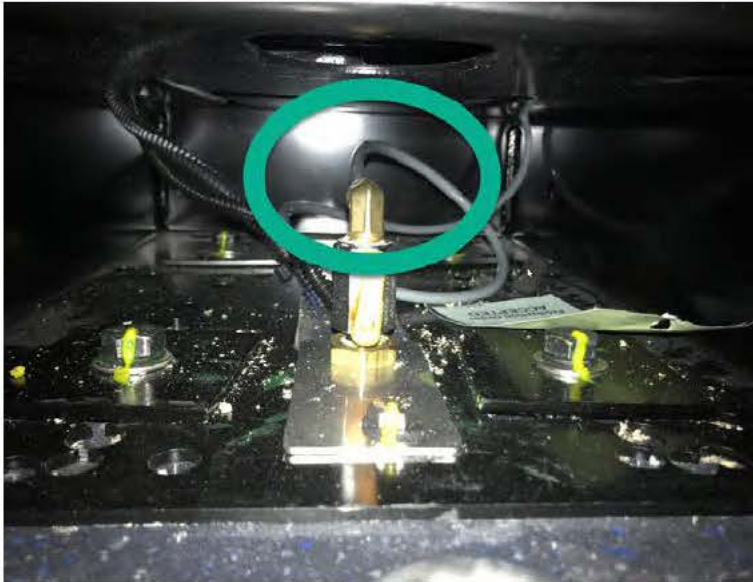


Figure 3

6. Unscrew and remove 6 screws attaching the seat to the riser (3 screws per side). Note if torque seal marks are present.

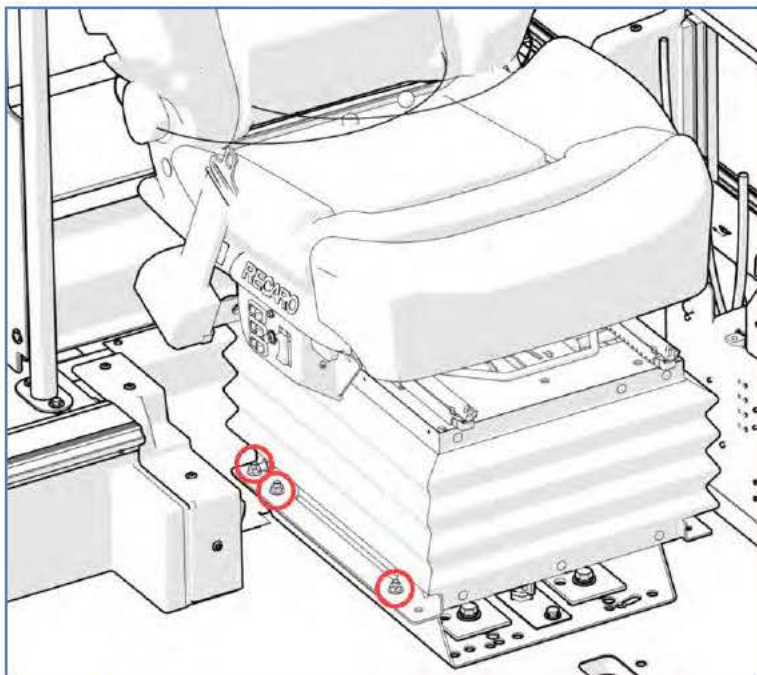


Figure 4

7. With the help of an assistant, pull the seat out of the bus.

8. Replace the 2 backplates securing the riser with the long bar supplied with the new seat.

***Torque to 38 lb-ft***

***apply torque seal marks***

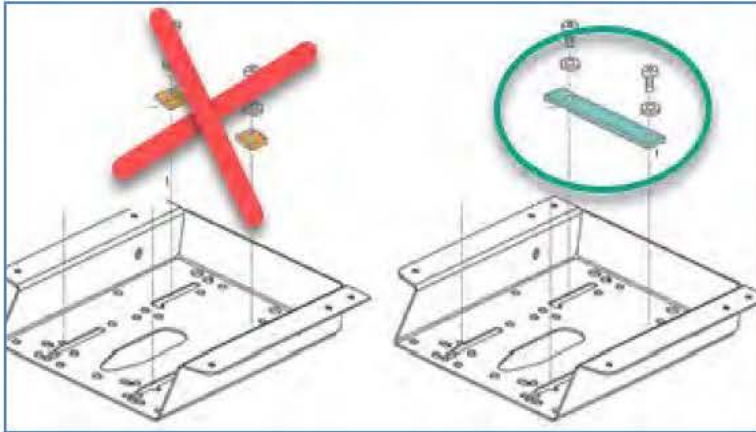


Figure 5

#### **MODIFICATION TO THE AISLE STAIRS COVER**

9. Remove the aisle stairs cover and cut a part of it as shown.

Dimensions to cut: about 10 mm X 30 mm



Figure 6

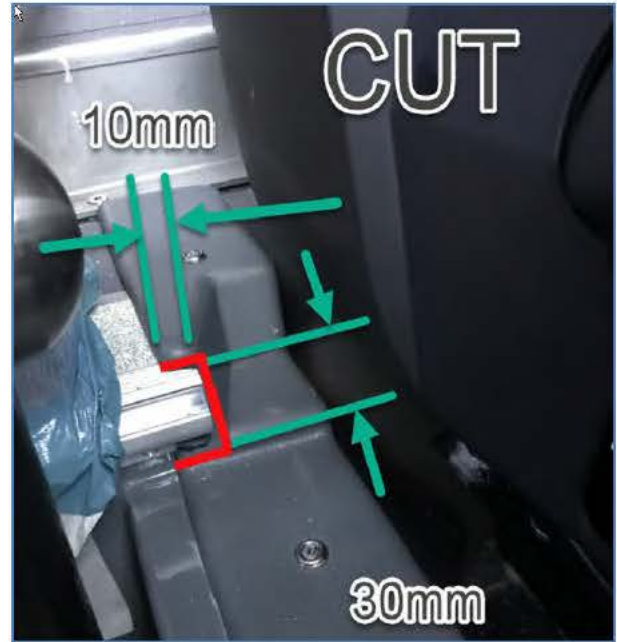


Figure 7

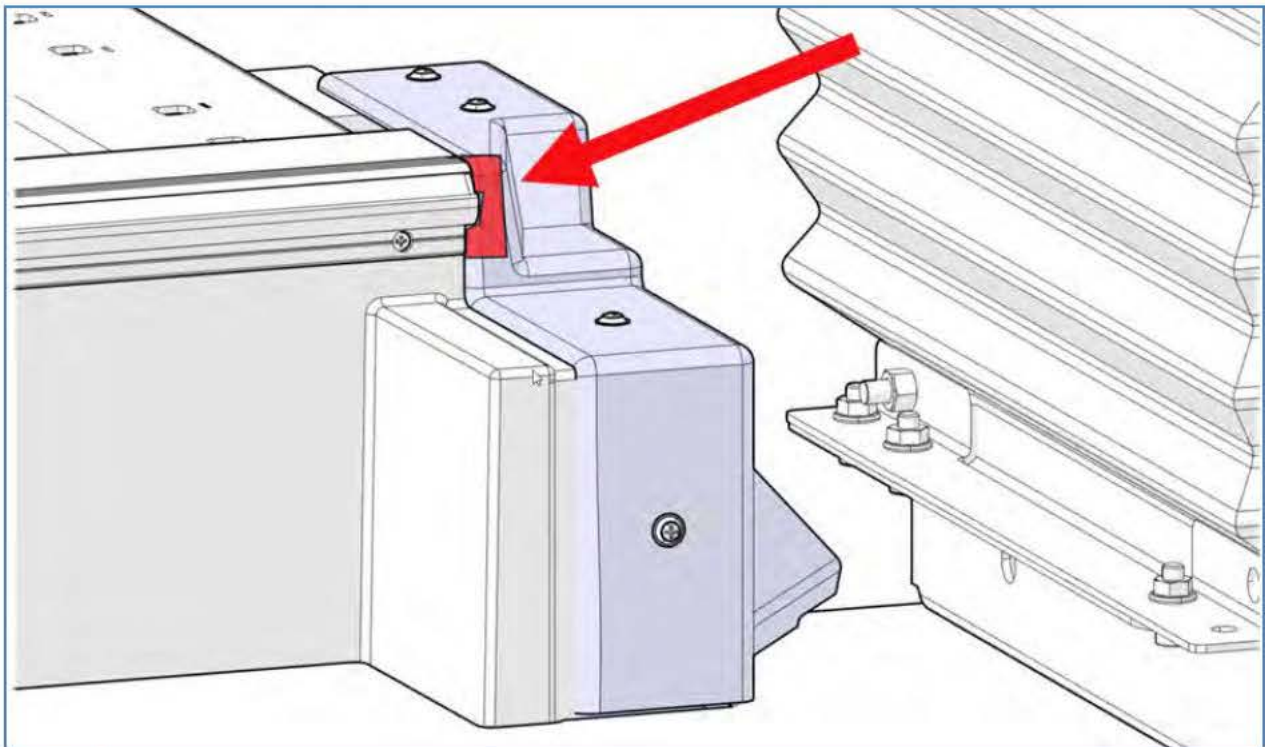


Figure 8

10. Cut fiberglass on the stairs as shown. The goal is to reinstall the cover as far as possible towards the entrance door so to leave a greater clearance between the seat and the cover.



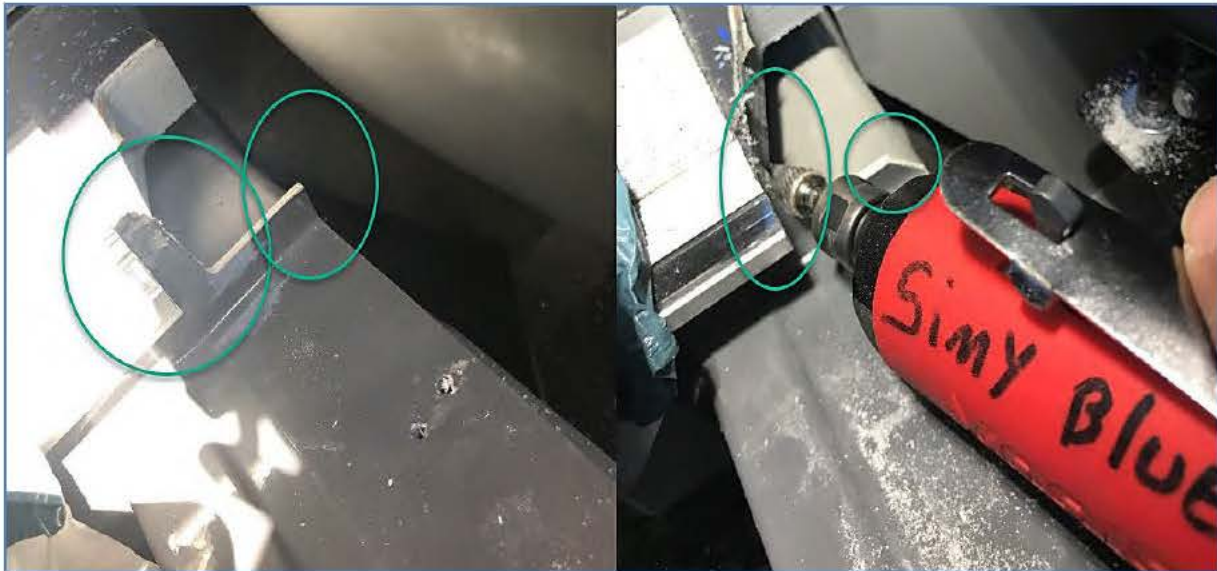


Figure 9

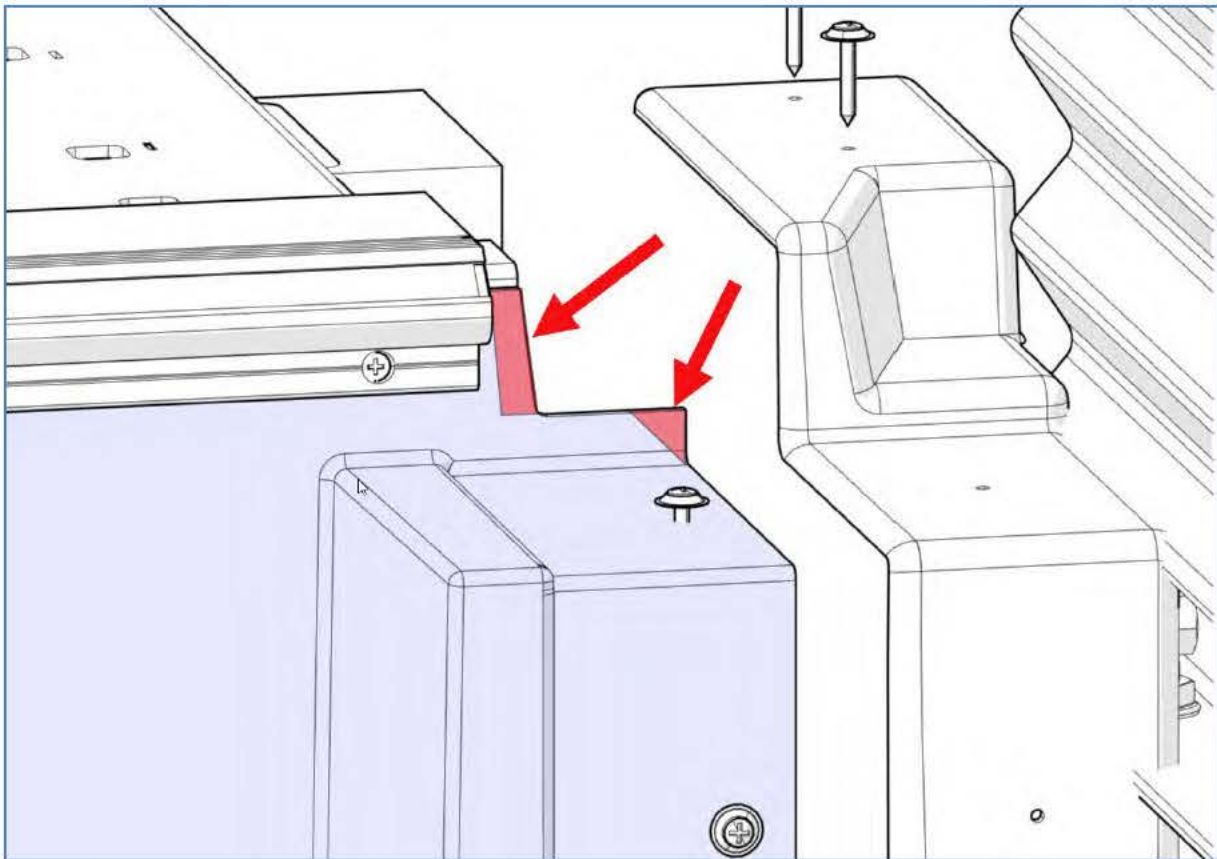


Figure 10

## SEAT INSTALLATION

11. Reinstall the cover as far as possible towards the entrance door. Take note that the cover is now over the step and lean on the edge of the aluminum molding.



Figure 11

12. Record the serial number of the new seat and the VIN of the vehicle in which it is installed.

|                           |
|---------------------------|
| New seat serial no. _____ |
| VIN_4RK_____              |

Send NEW SEAT SERIAL NO. + coach VIN to the following contact:

*Function Prevast Technical Publications*

or

[technicalpublications\\_Prev@volvo.com](mailto:technicalpublications_Prev@volvo.com)

PLEASE, INDICATE “ *sr22-13 serial* ” IN THE SUBJECT LINE



Figure 12: SERIAL NUMBER LOCATION

13. Before moving the new seat in the vehicle, relocate the stopper screw to the second hole (right rail, curb side, at the back of the seat).

***Torque to 8 lb-ft***

***Apply torque seal marks if applicable***



Figure 13

14. With the help of an assistant, install the new seat on the riser with the 6 screws previously removed. For aesthetic consideration, apply torque seal marks only if torque seal marks were present on the previous installation.

***Torque to 16.5 lb-ft***

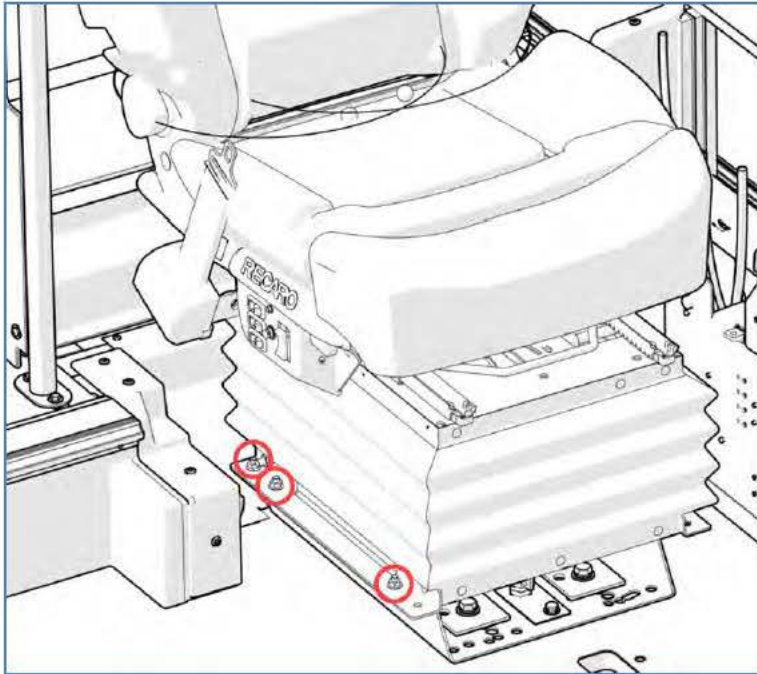


Figure 14

15. Under the seat, connect the seat air supply line from the push-in fitting.

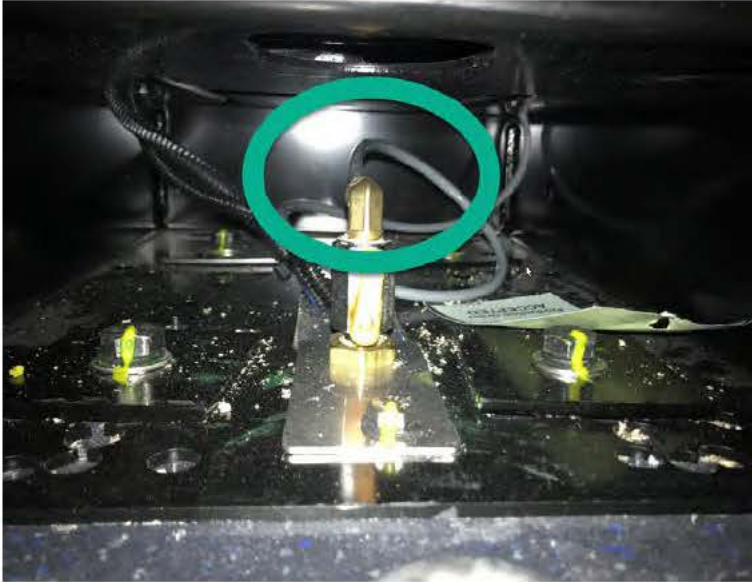


Figure 15

16. In the front service compartment, connect the driver seat harness, red, black and Open.



Figure 16

17. Check fit and function. No interference around the seat in the full back and forth range.

18. Sit on the seat with the parking brake off. Stand off the seat. You should hear " Parking brake off " from the clever device unit.

## PARTS DISPOSITION

All replaced parts must be returned to Prevost according to the Return Shipping Instructions available on [www.prevostcar.com](http://www.prevostcar.com) (under service / warranty section) for full reimbursement. A copy of the warranty claim form must be enclosed with the shipment.

## WARRANTY

This modification is covered by Prevost's normal warranty. We will reimburse you the parts and 1 ½ hour(s) (1.5) of labor upon receipt of:

- 1) the **parts**
- 2) the **information requested in Step 12** of this bulletin
- 3) completed A.F.A.

Please submit claim via our Online Warranty System, available at [www.prevostcar.com](http://www.prevostcar.com) (under service \ warranty section). Use Claim Type: Bulletin/Recall and select "Safety Recall 0BSR22-13".

## OTHER

|              |         |
|--------------|---------|
| VBC Bulletin | N/A     |
| Fail Code    | 18.03-3 |
| Defect Code  | 00.09   |
| Syst.Cond    | R       |
| Causal Part  | 860234  |

Access all our Service Bulletins on <http://techpub.prevostcar.com/en/> or scan the QR-Code with your smart phone.  
E-mail us at [technicalpublications\\_prev@volvo.com](mailto:technicalpublications_prev@volvo.com) and type "ADD" in the subject to receive our warranty bulletins by e-mail.

