

# Vermeer MV Solutions, Inc.

Trenchless  
Piedmont, SC 29673 USA

**FIELD CAMPAIGN KIT #:** VMV000028

**DATE:** 13 October 2022

*For Dealer Reference: Service Bulletin #: SMV2022-015*

## Trailer Frame Reinforcement Kit

**CAMPAIGN  
TYPE:**

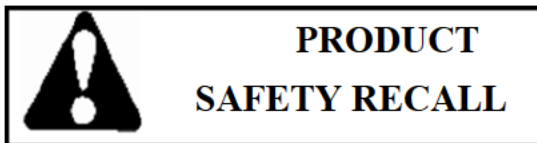
Mandatory-Product Safety

**DEALER INSTALLATION ONLY**

**CAMPAIGN  
CATEGORY:**

Kit and Bulletin

MACHINE/ ATTACHMENT MODEL(S):	SERIAL NUMBERS:		Kit version
	Included	Excluded	
AIR533SDT	See attached listing on page 3 of this bulletin for specific serial/unit numbers	None	VMV01
AIR535SDT			
AIR555SDT			
AIR573SDT			
AIR833SDT			
AIR835SDT			
AIR855SDT			
AIR873SDT			
AIRSDT			



**Purpose:** VMV000028 has been created to provide the necessary parts and instructions to add a plate gusset to reinforce the trailer frame. The kit must be installed as soon as possible.

**Special tools and conditions:**

- None



**WARNING:** Use the following shutdown procedure before attempting to do any of the work described in this Kit.

**Shutdown procedure**

**Stopping the machine**

For your safety and the safety of others, follow shutdown procedure before working on the machine for any reason, including servicing, maintaining, cleaning, inspecting, unclogging or transporting machine, or as otherwise directed in Operator's manual.

Step 1: Make sure end of vacuum hose is clear of all spoils, debris, and other materials.

Step 2: Turn *Water Pump Switch* to OFF.

Step 3: Push *Throttle Switch* to SLOW. Idle engine five minutes to allow vacuum pump to cool down. This helps to prevent the buildup of condensation.

Step 4: Turn key switch to OFF to shut off engine. Remove the key.

Step 5: Pull trigger on any high-pressure water tool to relieve line pressure.

Step 6: Disassemble all water line connections, vacuum hoses, and tools. Stow properly on machine.

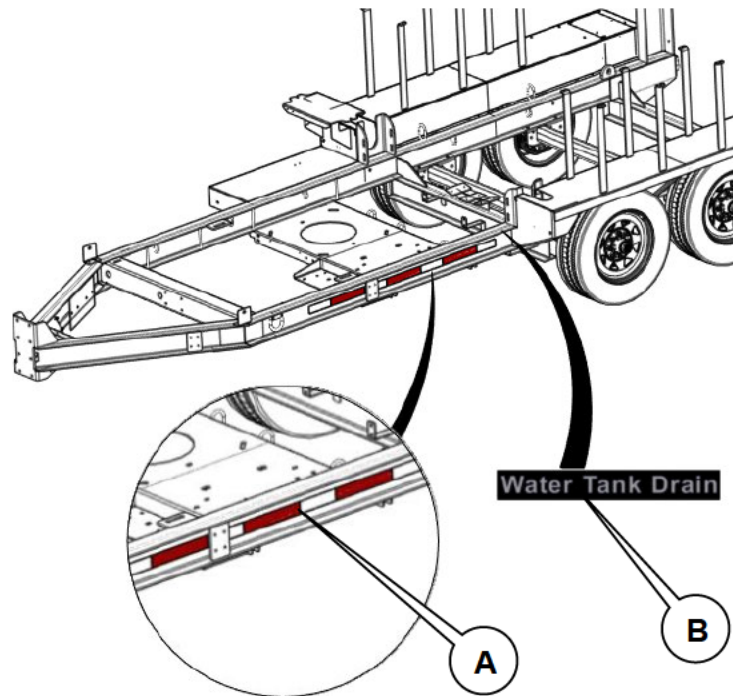
Step 7: Drain CVS Filter Housing / Cyclone.



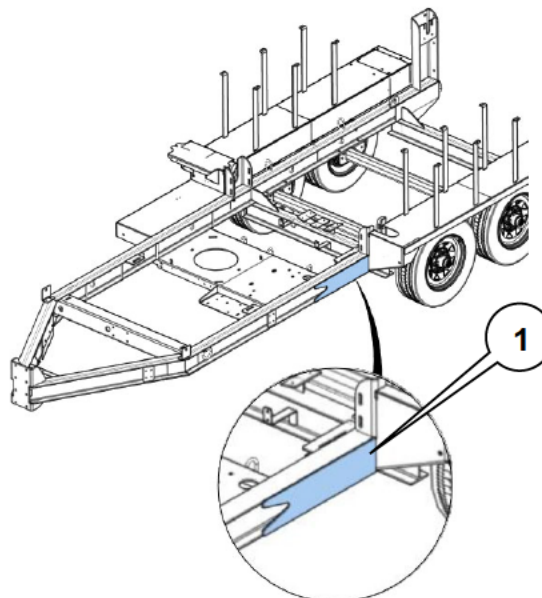
**WARNING:** Pressurized fluid can penetrate body tissue and result in death or serious injury. Leaks can be invisible. Keep away from any suspected leak. Relieve pressure in the hydraulic system before searching for leaks, disconnecting hoses, or performing any other work on the system. If you must pressurize the system to find a suspected leak, use an object such as a piece of wood or cardboard rather than your hands. When loosening a fitting where some residual pressure may exist, slowly loosen the fitting until oil begins to leak. Wait for leaking to stop before disconnecting the fitting. Fluid injected under the skin must be removed immediately by a surgeon familiar with this type of injury.

**Procedure 1:**

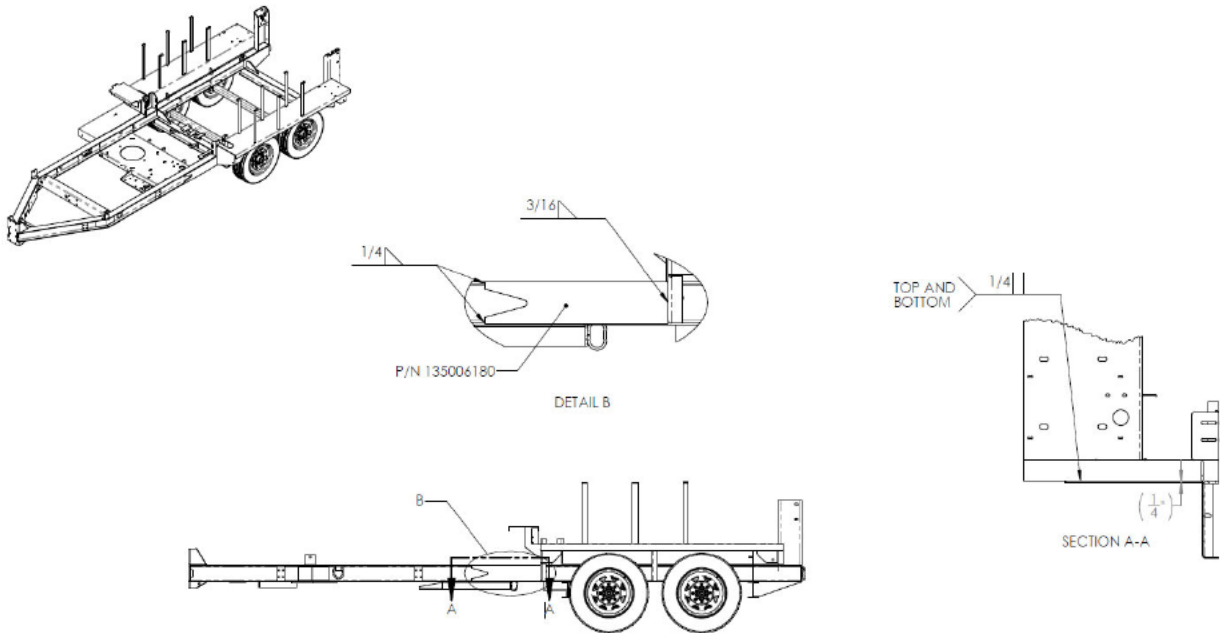
1. Refer to Figure 1 for parts list.
2. Remove the conspicuity tape (**A**) and "WATER TANK DRAIN" (**B**) decal from the roadside I-beam.



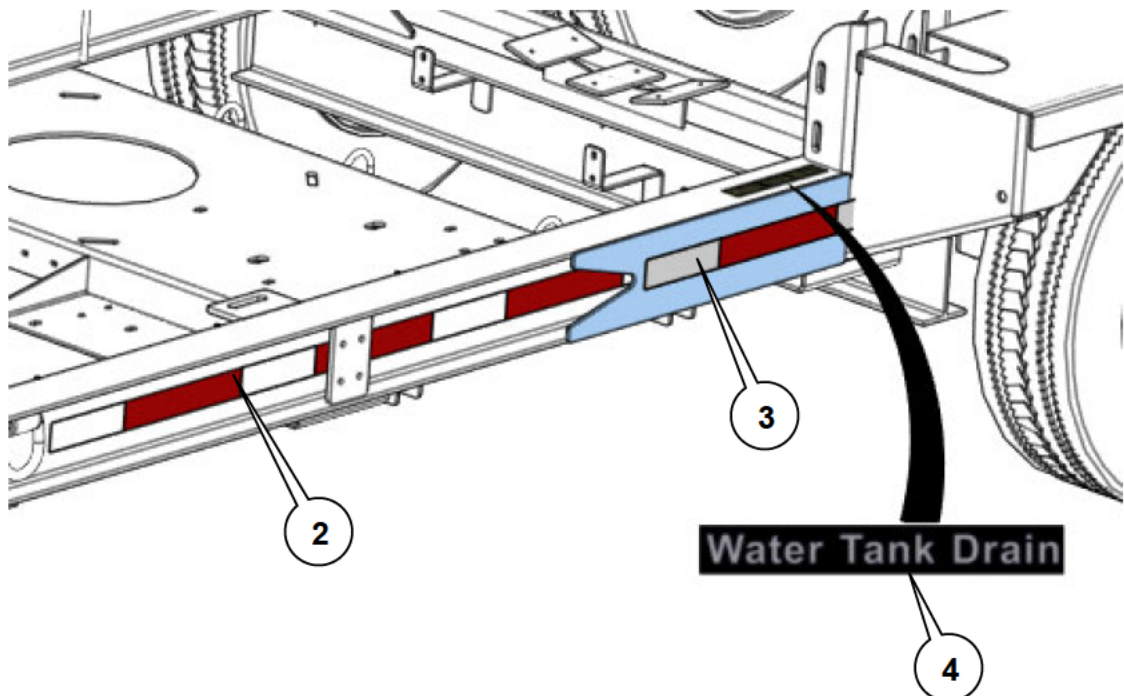
3. Locate the location where the gusset (**1**)(p/n 135006180) will be welded onto the roadside I-beam. Grind the I-beam and all weld surfaces to remove paint prior to welding.



4. Use a weld blanket to protect the fuel tank and hoses behind weld location.
5. Position the gusset (1) on the I-beam and weld per the drawing below.



6. Grind all welds and weld splatter. Clean all surfaces on the I-beam, gusset, and fenders. Paint all exposed surfaces. Allow paint to dry thoroughly.
7. Clean the areas where conspicuity tape and decal will be applied with soap and water. Allow to dry thoroughly.
8. Apply conspicuity tape (2)(3) and the “WATER TANK DRAIN” decal (4) as shown below.



**AFFECTED MACHINES - VMV010028**

Model	VIN	SERIAL/ UNIT	Model	VIN	SERIAL/ UNIT
AIR533SDT	REDACTED	141169	AIR855SDT	REDACTED	109937
AIR533SDT		141196	AIR855SDT		110232
AIR533SDT		141331	AIR855SDT		110231
AIR535SDT		141295	AIR855SDT		111318
AIR535SDT		131399	AIR855SDT		111319
AIR555SDT		121166	AIR855SDT		109978
AIR555SDT		111119	AIR855SDT		109980
AIR555SDT		111135	AIR855SDT		111381
AIR555SDT		111467	AIR873SDT		171140
AIR555SDT		111244	AIR873SDT		181166
AIR555SDT		121356	AIR873SDT		171256
AIR573SDT		161350	AIR873SDT		171304
AIR833SDT		141170	AIR873SDT		161266
AIR833SDT		151128	AIR873SDT		181551
AIR833SDT		141198	AIRSDT		191114
AIR833SDT		141199	AIRSDT		191115
AIR833SDT		141226	AIRSDT		191421
AIR835SDT		131306	AIRSDT		191275
AIR855SDT		109991	AIRSDT		191030
AIR855SDT		131024	AIRSDT		191479
AIR855SDT		121262	AIRSDT		200066
AIR855SDT		121283	AIRSDT		200427
AIR855SDT		110208			

**Figure 1**

UNIT OWNER COPY:  
Insert in parts manual  
for future reference.

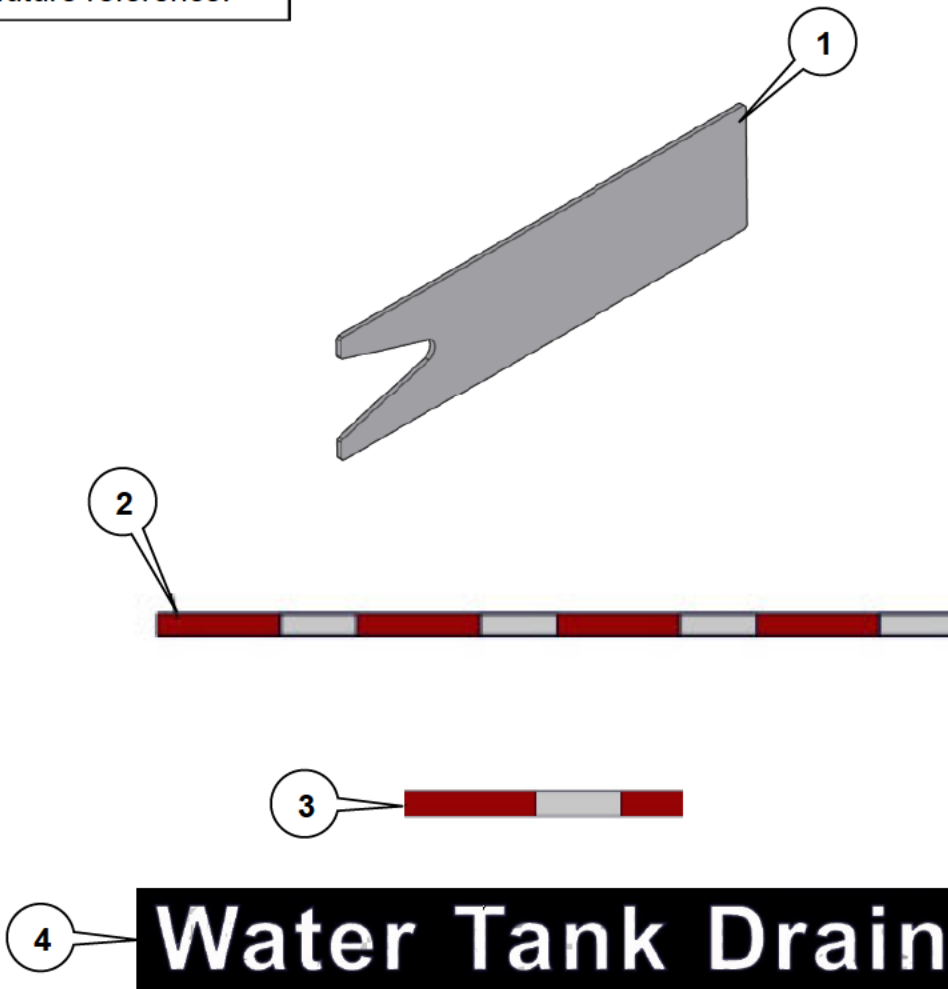


Figure 1 parts list			
<u>REF. NO.</u>	<u>PART NO.</u>	<u>DESCRIPTION</u>	<u>VMV QTY.</u>
1	135006180	GUSSET, AIR TRAILER	1
2	P-0485	2" SAFETY STRIP TAPE 48" LENGTH	1
3	P-0485	2" SAFETY STRIP TAPE 18" LENGTH	1
4	P-0763-DEC	DECAL - "WATER TANK DRAIN", 1.5 X 8.5	1
		Kit includes all items in Figure 1 parts list.	