



Stacy L. Balzer
Operating Director
Service Engineering Operations
Ford Customer Service Division

Ford Motor Company
P. O. Box 1904
Dearborn, Michigan 48121

October 28, 2022

TO: All U.S. Ford and Lincoln Dealers

SUBJECT: **NEW VEHICLE DEMONSTRATION / DELIVERY HOLD**
Safety Recall 22S44 - Supplement #1
Certain 2021-2022 Model Year Bronco 4-door
Rear Door Child Safety Lock Inspection

REF: **NEW VEHICLE DEMONSTRATION / DELIVERY HOLD**
Safety Recall 22S44
Dated June 13, 2022

New! REASON FOR THIS SUPPLEMENT

- *Labor Allowances: Labor time 22S44B has been increased to 1.2 hours.*

AFFECTED VEHICLES

Vehicle	Model Year	Assembly Plant	Build Dates
Bronco	2021	Michigan Assembly	September 23, 2020 through December 22, 2021
Bronco	2022	Michigan Assembly	August 31, 2021 through April 11, 2022

Affected vehicles are identified in OASIS and FSA VIN Lists.

REASON FOR THIS SAFETY RECALL

In some of the affected vehicles, the rear door may be opened from the inside of the vehicle, despite the indication of the child safety lock in the "ON" position, increasing the risk of injury to an unrestrained second-row occupant.

SERVICE ACTION

Before demonstrating or delivering any new in-stock vehicles involved in this recall, dealers are to inspect and if necessary, replace the rear door latch. This service must be performed on all affected vehicles at no charge to the vehicle owner.

OWNER NOTIFICATION MAILING SCHEDULE

Owner letters are expected to be mailed the week of July 5, 2022. Dealers should inspect and if necessary, repair any affected vehicles that arrive at their dealerships, whether or not the customer has received a letter.

PLEASE NOTE:

Federal law requires dealers to complete this recall service before a new vehicle is delivered to the buyer or lessee. Violation of this requirement by a dealer could result in a civil penalty of up to \$21,000 per vehicle. Correct all vehicles in your new vehicle inventory before delivery.

ATTACHMENTS

Attachment I: Administrative Information
Attachment II: *Labor Allowances* and Parts Ordering Information
Attachment III: Technical Information
Owner Notification Letters
Recall Reimbursement Plan

QUESTIONS & ASSISTANCE

For questions and assistance, contact the Special Service Support Center (SSSC) via the SSSC Web Contact Site. The SSSC Web Contact Site can be accessed through the Professional Technician System (PTS) website using the SSSC link listed at the bottom of the OASIS VIN report screen or listed under the SSSC tab.

Sincerely,

A handwritten signature in black ink that reads "Stacy L. Balzer". The signature is written in a cursive style with a large, stylized 'S' and 'B'.

Stacy L. Balzer

NEW VEHICLE DEMONSTRATION / DELIVERY HOLD
Safety Recall 22S44 - Supplement #1
Certain 2021-2022 Model Year Bronco 4-Door
Rear Door Child Safety Lock Inspection

OASIS ACTIVATION

OASIS was activated on June 13, 2022.

FSA VIN LISTS ACTIVATION

FSA VIN Lists were made available through <https://web.fsavinlists.dealerconnection.com> by June 13, 2022. Owner names and addresses were made available by July 5, 2022.

NOTE: Your FSA VIN Lists may contain owner names and addresses obtained from motor vehicle registration records. The use of such motor vehicle registration data for any purpose other than in connection with this recall is a violation of law in several states, provinces, and countries. Accordingly, you must limit the use of this listing to the follow-up necessary to complete this recall.

SOLD VEHICLES

- Ford has not issued instructions to stop selling/delivering or driving used vehicles under this safety recall. Owners should contact their dealer for an appointment to have their vehicles remedied as soon as practicable. Owners can continue to safely drive their vehicles. Immediately contact any of your affected customers whose vehicles are not on your VIN list but are identified in OASIS. Give the customer a copy of the Owner Notification Letter (when available) and schedule a service date.
- Correct other affected vehicles identified in OASIS which are brought to your dealership.
- Dealers are to prioritize repairs of customer vehicles over repairs of new and used vehicle inventory.

STOCK VEHICLES

- Correct all affected units in your new vehicle inventory before delivery.
- Use OASIS to identify any affected vehicles in your used vehicle inventory.

DEALER-OPERATED RENTAL VEHICLES

The Fixing America's Surface Transportation (FAST) Act law effective June 2016 prohibits a rental company from selling, renting, or leasing vehicles subject to a safety or compliance recall. Please consult your legal counsel for legal advice.

TITLE BRANDED / SALVAGED VEHICLES

Affected title branded and salvaged vehicles are eligible for this recall.

NEW VEHICLE DEMONSTRATION / DELIVERY HOLD
Safety Recall 22S44 - Supplement #1
Certain 2021-2022 Model Year Bronco 4-Door
Rear Door Child Safety Lock Inspection

OWNER REFUNDS

- **This safety recall must still be performed, even if the owner has paid for a previous repair. Claiming a refund will not close the recall on the vehicle.**
- Ford Motor Company is offering a refund for owner-paid repairs covered by this recall if the repair was performed prior to the date indicated in the reimbursement plan, which is posted with this bulletin. Owners are directed to seek reimbursement through authorized dealers or, at their option, directly through Ford Motor Company at P.O. Box 6251, Dearborn, MI 48121-6251.
- Dealers are also pre-approved to refund owner-paid emergency repairs that were performed away from an authorized servicing dealer after the end date specified in the reimbursement plan. Non-covered repairs, or those judged by Ford to be excessive, will not be reimbursed.
- Refunds will only be provided for the cost associated with the replacement of the rear door latch due to a defective child safety lock.

RENTAL VEHICLES

Rental vehicles are not approved for this program.

With proper dealer parts ordering and service appointment scheduling, rental vehicles should not be required. However, if you have a unique owner circumstance that may require a rental vehicle, please contact the SSSC via the SSSC Web Contact Site.

ADDITIONAL REPAIR (LABOR TIME AND/OR PARTS)

Additional repairs identified as necessary to complete the FSA should be managed as follows:

- For related damage and access time requirements, refer to the Warranty and Policy Manual / Section 6 – Ford & Lincoln Program Policies / General Information & Special Circumstances for FSA's / Related Damage.
- For vehicles within new vehicle bumper-to-bumper warranty coverage, no SSSC approval is required, although related damage must be on a separate repair line with the "Related Damage" radio button checked.
 - Ford vehicles – 3 years or 36,000 miles
- For vehicles outside new vehicle bumper-to-bumper warranty coverage, submit an Approval Request to the SSSC Web Contact Site prior to completing the repair.

NEW VEHICLE DEMONSTRATION / DELIVERY HOLD
Safety Recall 22S44 - Supplement #1
Certain 2021-2022 Model Year Bronco 4-Door
Rear Door Child Safety Lock Inspection

CLAIMS PREPARATION AND SUBMISSION

- **Claim Entry:** Enter claims using Dealer Management System (DMS) or One Warranty Solution (OWS) online.
 - When entering claims, select claim type 31: Field Service Action. The FSA number 22S44 is the sub code.
 - For additional claims preparation and submission information, refer to the Recall and Customer Satisfaction Program (CSP) Repairs in the OWS User Guide.
- **Related Damage/Additional labor and/or parts:** Must be claimed as Related Damage on a separate repair line from the FSA with the same claim type and sub code as described in Claim Entry above.

IMPORTANT: Click the Related Damage Indicator radio button.
- **Refunds:** Submit refunds on a separate repair line.
 - Program Code: 22S44 - Misc. Expense: ADMIN
 - Misc. Expense: REFUND - Misc. Expense: 0.2 Hrs.
 - Multiple refunds should be submitted on one repair line and the invoice details for each repair should be detailed in the comments section of the claim.
- **Additional parts not listed in the parts section:** Additional parts and/or material may be submitted on the same repair line on which the FSA is claimed. Additional parts totaling more than \$2.50 requires prior approval from the SSSC.
- Provision for Locally Obtained Supplies for latch replacement: Zip ties, cleaning supplies, and masking tape. Submit on the same line as the repair.
 - Program Code: 22S44
 - Misc. Expense: OTHER
 - Misc. Expense: Claim up to \$2.50

NEW VEHICLE DEMONSTRATION / DELIVERY HOLD
Safety Recall 22S44 - Supplement #1
Certain 2021-2022 Model Year Bronco 4-Door
Rear Door Child Safety Lock Inspection

New! LABOR ALLOWANCES

Description	Labor Operation	Labor Time
Inspect both rear child safety locks, function correctly	22S44A	0.2 Hours
Inspect both rear door child locks for function – replace one latch. Note: revised service procedure no window adjustment required. Refer to attachment III.	22S44B	<i>1.2 Hours</i>
Inspect both rear door child locks for function – replace both latches. Note: revised service procedure no window adjustment required. Refer to attachment III.	22S44C	2.1 Hours

NOTE: Only one labor operation code can be claimed per repair.

PARTS REQUIREMENTS / ORDERING INFORMATION

SSSC Web Contact Site:

NOTE: Less than 2% of the affected vehicle population is expected to require RH rear door latch and less than 0.5% for LH rear door latch replacement.

To place an order for a rear door latch, submit a VIN-specific Part Order contact via the SSSC Web Contact Site.

Part Number	Description	Order Quantity	Claim Quantity
M2DZ-78264A26-C	RH rear door latch	1	1
M2DZ-78264A27-E	LH rear door latch	1	1

Dealers will be notified via a DOES II communication if circumstances warrant a change in part supply strategy and when open ordering resumes.

PARTS REQUIREMENTS / ORDERING INFORMATION

Part Number	Description	Order Quantity	Claim Quantity
Consumables Required for latch replacement			
Obtain Locally	200mm x 2.5mm Zip Tie (one for each latch)		Claim as MISC OTHER
	Masking Tape		
	Glass Cleaner		

To guarantee the shortest delivery time, an emergency order for parts must be placed.

DEALER PRICE

For the latest prices, refer to DOES II.

NEW VEHICLE DEMONSTRATION / DELIVERY HOLD**Safety Recall 22S44 - *Supplement #1***

Certain 2021-2022 Model Year Bronco 4-Door

Rear Door Child Safety Lock Inspection

PARTS RETENTION, RETURN, & SCRAPPING

Follow the provisions of the Warranty and Policy Manual, Section 1 - WARRANTY PARTS RETENTION AND RETURN POLICIES. If a replaced part receives a scrap disposition, the part must be scrapped in accordance with all applicable local, state and federal environmental protection and hazardous material regulations. Federal law prohibits selling motor vehicle parts or components that are under safety, compliance, or emissions recall.

EXCESS STOCK RETURN

The excess stock returned for credit must have been purchased from Ford Customer Service Division in accordance with Policy Procedure Bulletin 4000.

REPLACED FSA PARTS INSPECTION AND SIGN OFF

Effective March 1st, 2021 all parts replaced as part of an FSA repair with a repair order open date of March 1st, 2021 or later must be inspected and signed off on the repair order by a member of your dealer fixed operations management team or an employee the task has been delegated to. If the task is to be delegated to a non-management employee, the employee needs to be someone other than the technician who completed the repair and needs to understand the importance of completing this task consistently and accurately.

- All parts replaced as part of an FSA repair should be returned to the parts department following the Warranty Parts Retention and Return Policies.
- Inspect the replaced parts to verify the FSA repair was completed.
- If the FSA repair is found to be complete, the designated employee signs the repair order line or parts return stamp area (electronic or hand-signed) for the FSA repair indicating the parts were inspected and validated to have been replaced.
- After the parts have been inspected, they should be handled based on the guidance in the parts status report in the Online Warranty System (Hold, Return, CORE, Scrap, etc.).
- This process is subject to review during warranty audits for FSA repairs with a repair order open date of March 1st, 2021 or later. Any eligible FSA claims requiring parts replacement, found not to have been inspected and signed off during a warranty audit will be subject to chargeback and consideration for enrollment into the Dealer Incomplete Recall Repair Process.

Note: Other approvals (electronic or handwritten) for add-on repair lines, dealer-owned vehicle repairs, and repeat repairs do not qualify as FSA parts inspection approvals. The post-repair FSA parts inspection process (electronic or handwritten) is independent of other warranty approval requirements. The approval by the designated employee implies that the FSA parts were found to be replaced and must be able to be clearly identified on the Repair Order. If multiple FSA's require approval on a single Repair Order, each applicable occurrence will require individual post-repair approval by the designated employee.

CERTAIN 2021-2022 MODEL YEAR BRONCO 4-DOOR — CHILD LOCK NOT FUNCTIONING

SERVICE PROCEDURE

1. With door open, engage the child lock on both rear left-hand (LH) and rear right-hand (RH) doors. See Figure 1.

NOTE: For LH side turn key clockwise to engage. For RH side turn key counterclockwise to engage.

NOTE: LH side shown, RH side similar.

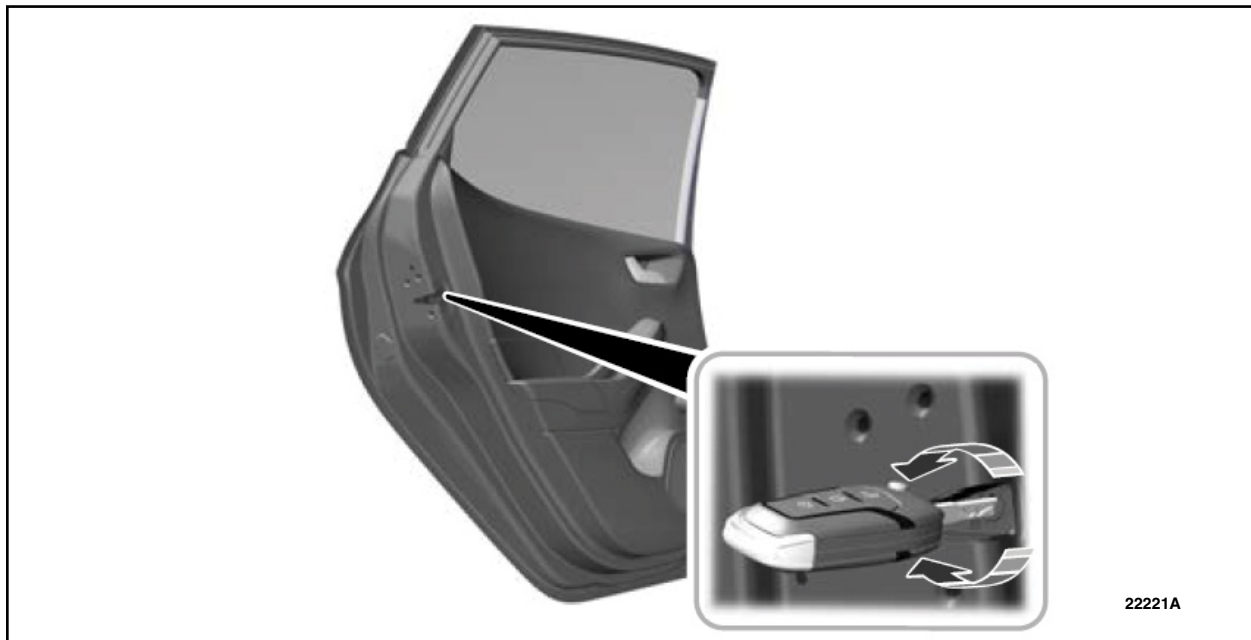


FIGURE 1

2. Roll down both rear LH and rear RH windows before getting into vehicle.
3. Close and lock the doors.



4. While sitting in the rear seat of the vehicle, pull the interior door handle fully, 5 times in succession. See Figure 2. Repeat with opposite door handle. Did either door open during this procedure?

Yes - Continue to Step 5.

No - Recall complete.

NOTE: LH side shown, RH side similar.

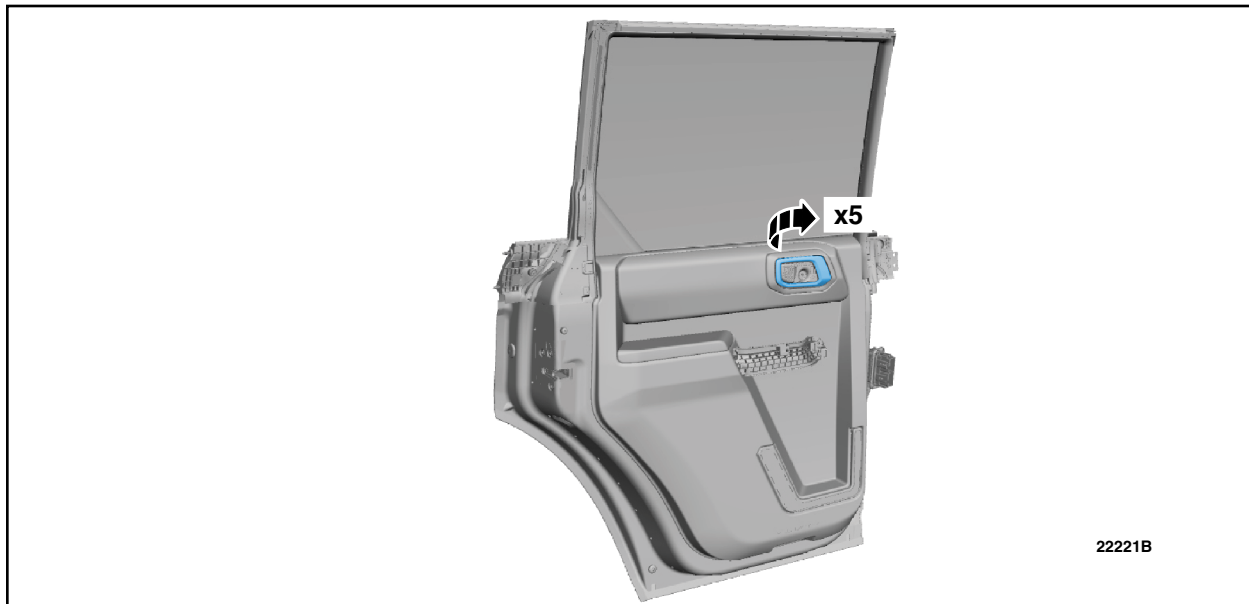


FIGURE 2

5. Exit the vehicle using the exterior door handle, roll-up the window and disengage the child lock.

NOTE: The window procedure below must be done before beginning the latch replacement procedure.



6. With the window rolled up and the door open, apply painters tape or equivalent to window glass, lining it up with the window seal. This will aid in re-installation of the glass. See Figure 3.

NOTE: BEFORE removing the fasteners, mark all of the fasteners for the rear door glass run and rear door window regulator with a paint pen or permanent marker.

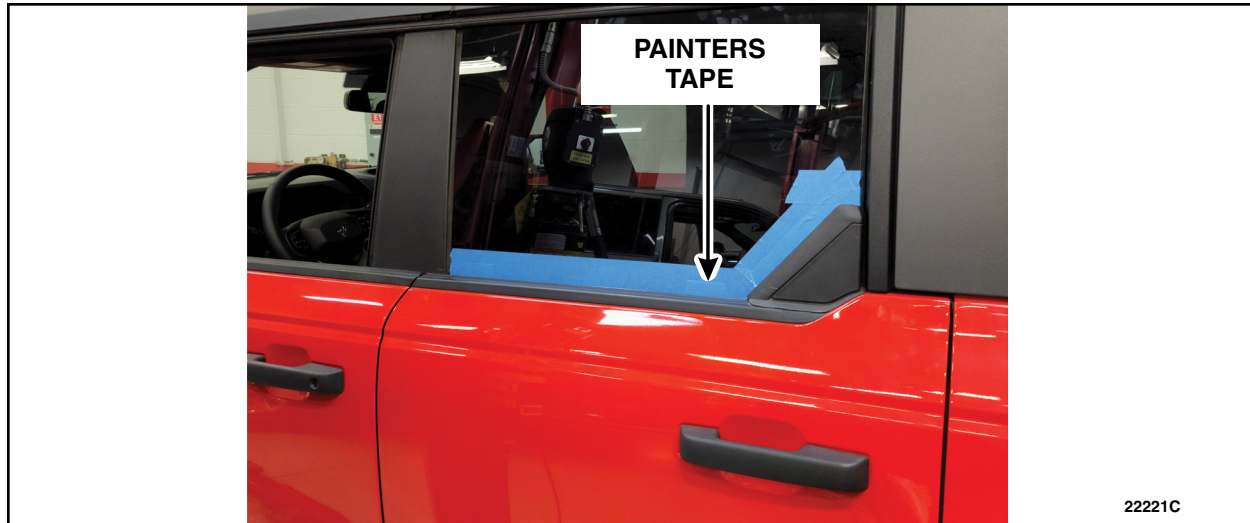


FIGURE 3

7. To remove and install one or both latches please follow Workshop Manual (WSM) procedures in Section 501-14.

NOTE: If latch(es) are equipped with a zip tie, remove from assembly. Zip tie is to be replaced during reassembly. See Figure 4.

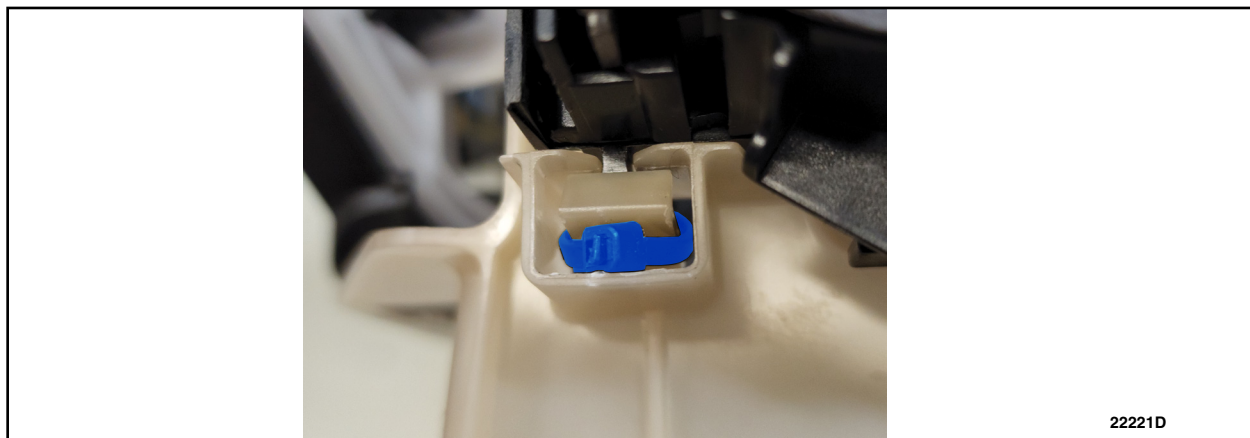


FIGURE 4

8. Place glass back into door making sure to line up the tape with the window seal.

NOTE: When reinstalling the window glass, align the tape with the window seal to ensure proper fit before tightening the fasteners. Door window glass adjustment is not necessary when following this procedure.



Ford Motor Company
Recall Reimbursement Plan for 22S44

Ford and Lincoln dealers are in the best position to quickly and efficiently process reimbursement requests. However, federal legislation requires all motor vehicle manufacturers to establish processes through which customers may seek recall reimbursement directly from the manufacturer or from the dealers.

Regarding the specific reimbursement plan for Recall # 22S44, owners who have paid for service to remedy the defect or noncompliance must have had that service performed prior to July 18, 2022. After this date, if repairs related to this recall are performed by a non-Ford repair facility in an emergency situation, customers must submit any refund requests through their dealership. As required by this federal regulation, Ford Motor Company submitted the details of its latest General Recall Reimbursement Plan in a letter to the National Highway Traffic Safety Administration (NHTSA) in May 2021. The following is the text of that letter and the Plan:

General Recall Reimbursement Plan
(As submitted to the NHTSA)

Pursuant to the requirements set forth in 49 CFR Part 573 and Part 577 of the Code of Federal Regulations, Ford Motor Company (Ford) is submitting required information pertaining to our general reimbursement plan for the cost of remedies paid for by vehicle owners before they are notified of a related safety recall.

Set forth below is Ford's general plan to reimburse owners and purchasers for costs incurred for remedies in advance of notification of potential safety-related defects or noncompliances pursuant to Part 573.6 (c)(8)(i). This plan has not changed since our February 20, 2019 submission.

Reimbursement Notification

Ford's notice to a vehicle owner in accordance with 49 CFR Part 577 will indicate that Ford is offering a refund if the owner paid to have service to remedy the defect or noncompliance prior to a specified ending date. In accordance with Part 573.13 (c)(2), this ending date will be defined as a minimum of ten calendar days after the date on which Ford mailed the last of its Part 577 notifications to owners, and will be indicated in the specific reimbursement plan available to owners for an individual recall. This notice will direct owners to seek eligible reimbursement through authorized dealers or, at their option, directly through Ford at the following address:

Ford Motor Company
P.O. Box 6251
Dearborn, MI 48121-6251

Ford notes that this rule allows for the identification of a beginning date for reimbursement eligibility. Under the rule, an owner who paid to remedy the defect or noncompliance prior to the identified beginning date would not be eligible for reimbursement. Ford generally has not established such a beginning date for reimbursement eligibility and does not presently anticipate changing this general policy. However, in any case where Ford determines a beginning date is appropriate, Ford will indicate that date in the owner notice. As permitted by 577.11(e), Ford may not include a reimbursement notification when all vehicles are well within the warranty period, subject to approval by the agency.

Costs to be Reimbursed

For vehicles, reimbursement will not be less than the lesser of:

- The amount paid by the owner for the remedy that specifically addressed and was reasonably necessary to correct the defect or noncompliance that is the subject of the recall, or
- The cost of parts for the remedy (to be no more than the manufacturer's list retail price for authorized part(s), plus associated labor at local labor rates, miscellaneous fees (such as disposal of waste) and taxes.

For replacement equipment, reimbursement will be the amount paid by the owner for the replacement item (limited by the amount of the retail list price of the defective or noncompliant item that was replaced, plus taxes, where the brand or model purchased by the owner was different than the brand or model that was the subject of the recall). If the item of motor vehicle equipment was repaired, the reimbursement provisions identified above for vehicles will apply.

Ford notes that costs incurred by the owner within the period during which Ford's original or extended warranty would have provided for a free repair of the problem will not be eligible for reimbursement, as provided by Part 573.13 (d)(1).

Entities Authorized to Provide Reimbursement

Ford will continue to use authorized dealers to reimburse owners under the specific reimbursement plans for a particular recall, and will encourage owners to pursue requests for reimbursement directly through dealers to expedite reimbursement. Ford will also provide a mailing address to which customers can, at their option, send requests for reimbursement directly to Ford, as previously noted. Requests for reimbursement sent directly to Ford may take up to 60 days to process. Whether the owner chooses to pursue reimbursement requests through a dealer or directly through Ford, the owner will be directed to submit the required documentation, upon which reimbursement eligibility will be determined.

Required Documentation

The reimbursement determination will depend upon the information provided by the customer. Consistent with Part 573.13 (d)(4) the following information must be submitted:

- Claimant name and address
- Vehicle make, model, and model year
- Vehicle identification number (VIN) and, for replacement equipment, a description of such equipment or, for tires, the model, size and TIN (DOT code)
- Identification of the recall number (either the Ford recall number or the NHTSA recall number)
- Identification of the owner of the recalled vehicle at the time that the pre-notification remedy was obtained
- An original receipt for the pre-notification remedy that includes a breakdown of the amount for parts, labor, other costs and taxes, including costs for the replacement item. Where the receipt covers work other than to address the recall or noncompliance, Ford may require the claimant to separately identify costs that are eligible for reimbursement.
- If the remedy was obtained during the warranty period, documentation indicating that the warranty was not honored or the warranty repair did not correct the problem related to the recall.

Failure to submit all of the above information may result in denial of the reimbursement request.

Additional Information

The Part 577 required owner notice will provide a toll-free telephone number through which specific information about the reimbursement plan can be requested from Ford. This general reimbursement plan will be incorporated into notifications pursuant to Part 573.6 by reference. Information specific to an individual recall also may be incorporated into the Part 573.6 notification.