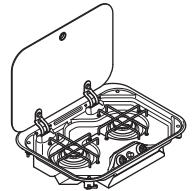
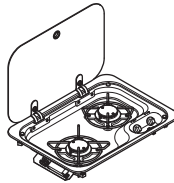
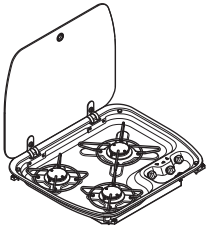




# HOT AND COOKING HOBS AND COMBINATIONS



CE99-DF (HBG 3445), CE99-ZF (HBG 2335), PI8022

**EN** **Cooktops and combinations**  
Installation and Operating Manual . . . . . 13

**FR** **Plaques de cuisson et combinaisons**  
Instructions de montage  
et de service . . . . . 28

**WARNING:** If the information in this manual is not followed exactly, a fire or explosion may result, causing property damage, personal injury, or death.

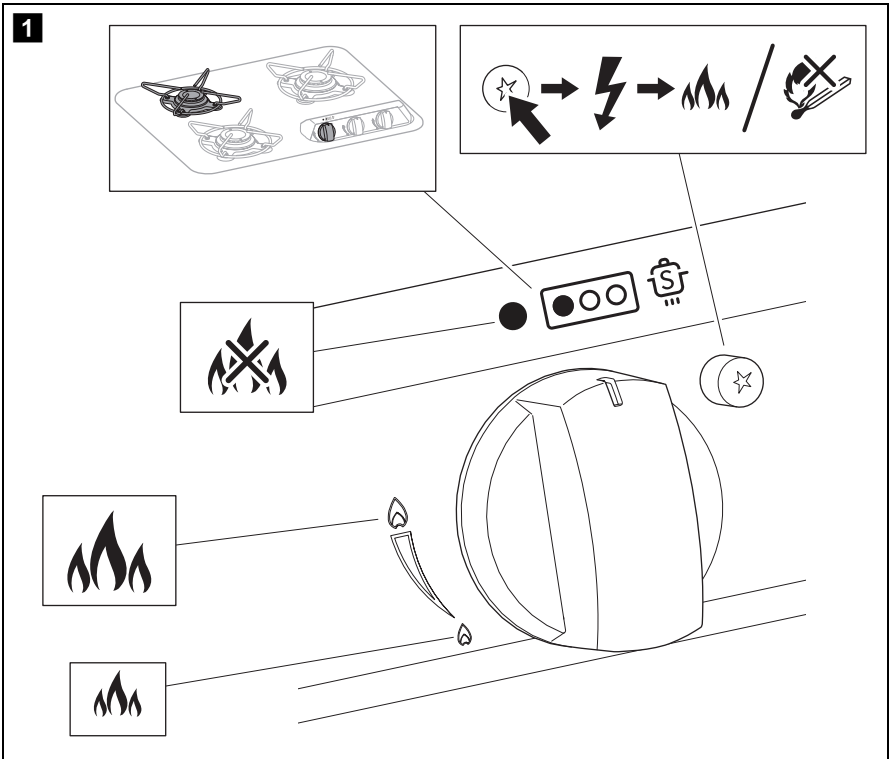
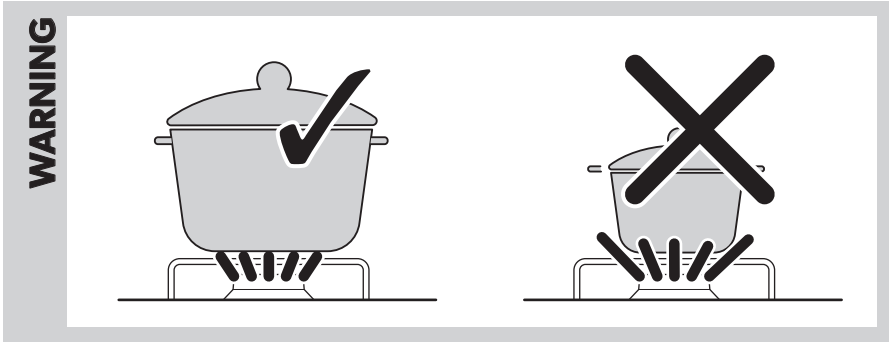
- Do not store or use gasoline or other flammable vapors and liquids in the vicinity of this or any other appliance.
- **WHAT TO DO IF YOU SMELL GAS**
  - Do not try to light any appliance.
  - Do not touch any electrical switch.
  - Do not use any phone in your recreational vehicle.
  - Clear the recreational vehicle of all occupants.
  - Turn off the gas supply tank valve(s) or main gas supply.
  - Immediately call your gas supplier for instructions.
  - If you cannot reach your gas supplier, call the fire department.
- Have the gas system checked and leakage source corrected by a qualified installer, service agency, manufacturer or dealer, or the gas supplier.

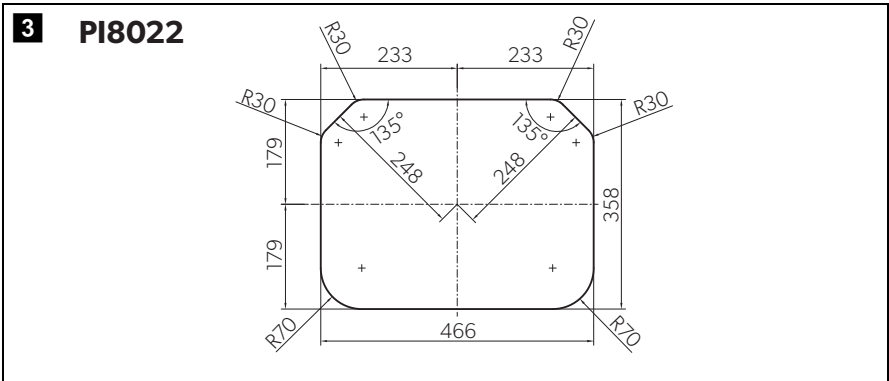
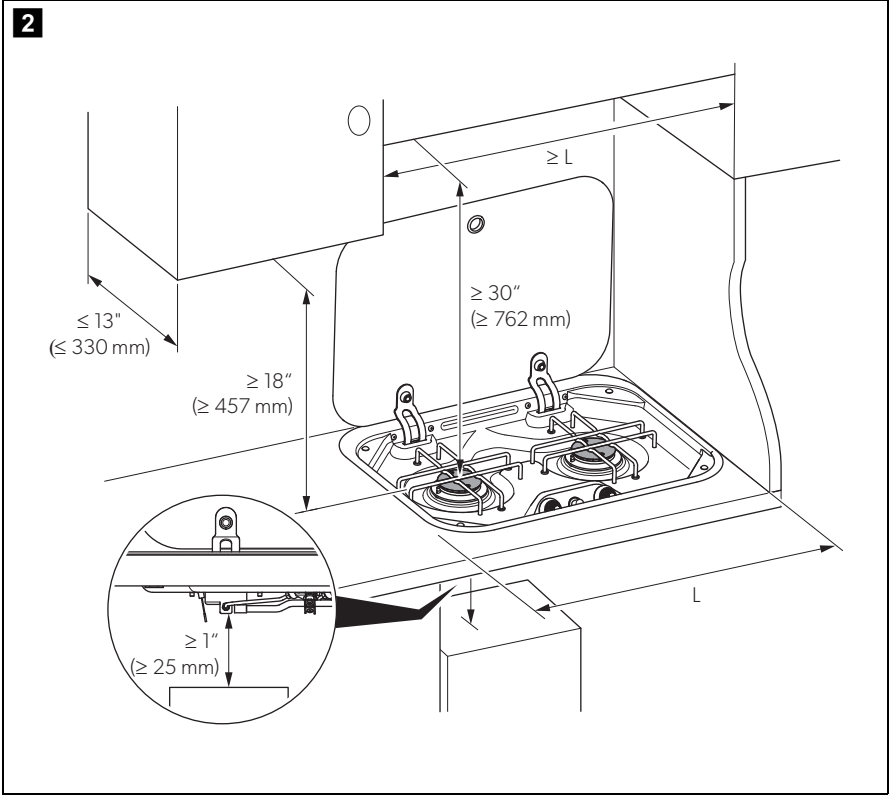
**WARNING**  
Cancer and Reproductive Harm  
[www.P65Warnings.ca.gov](http://www.P65Warnings.ca.gov)



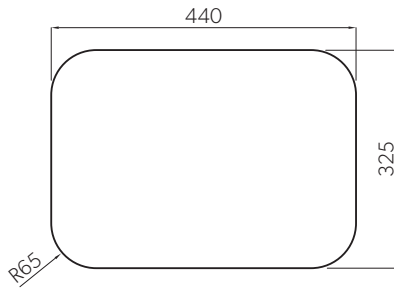
C US Master Contract: 300749

© 2021 Dometic Group. The visual appearance of the contents of this manual is protected by copyright and design law. The underlying technical design and the products contained herein may be protected by design, patent or be patent pending. The trademarks mentioned in this manual belong to Dometic Sweden AB. All rights are reserved.

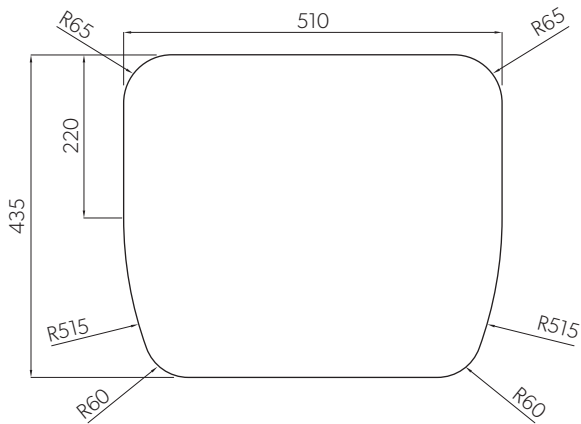


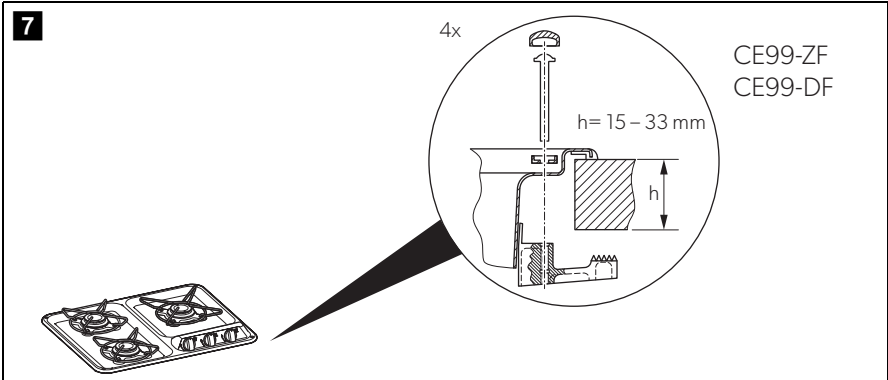
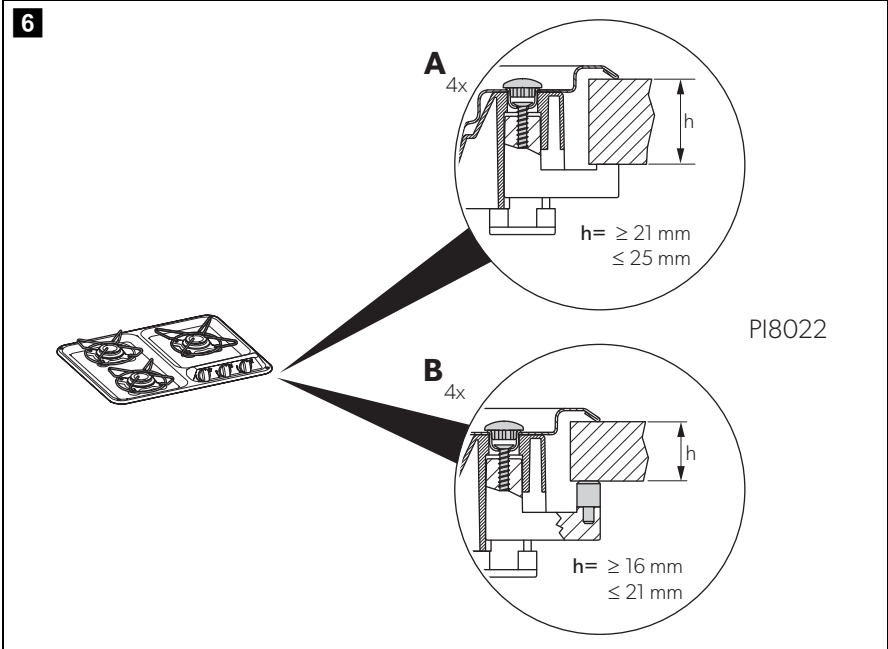


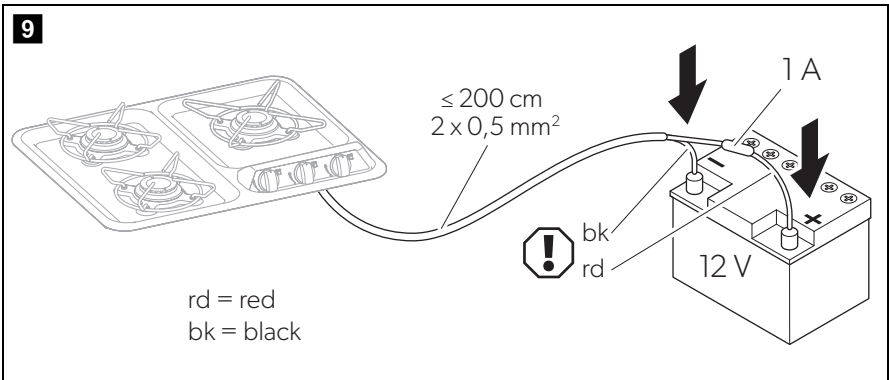
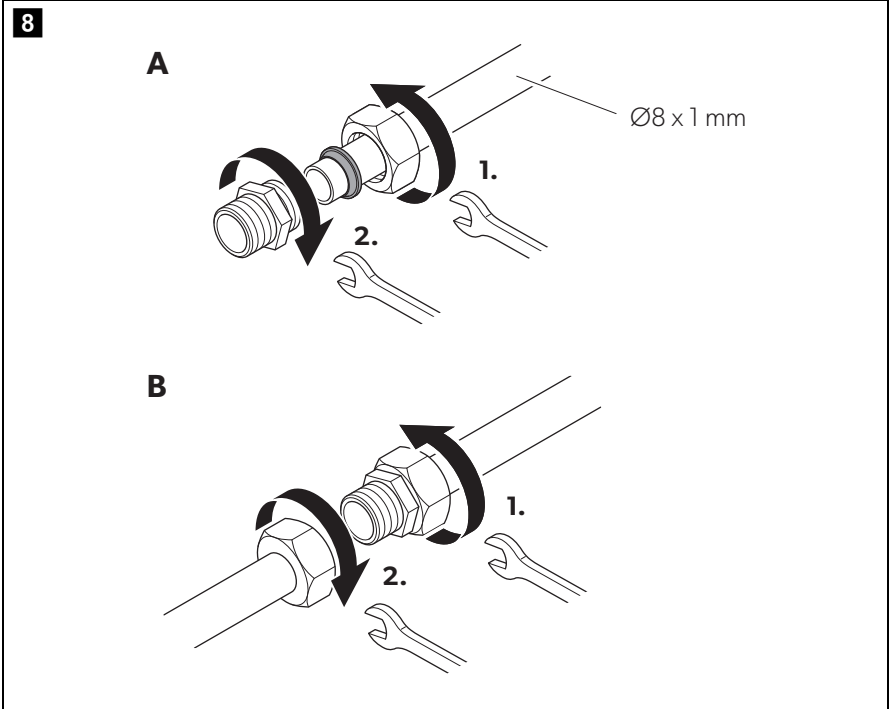
**4 CE99-ZF (HBG2335)**



**5 CE99-DF (HBG3445)**

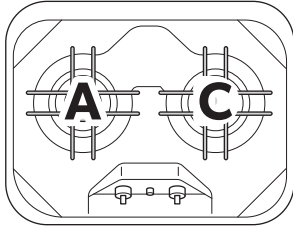




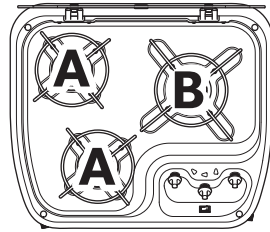


10

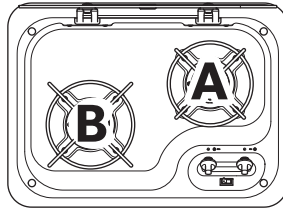
**PI8022**



**CE 99-DF (HBG3445)**

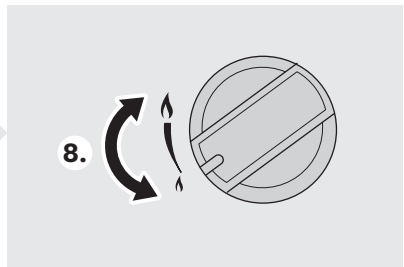
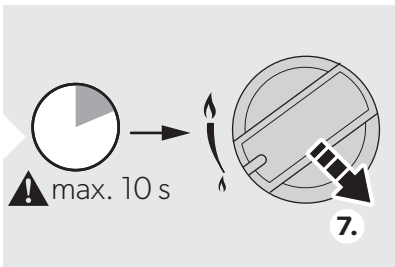
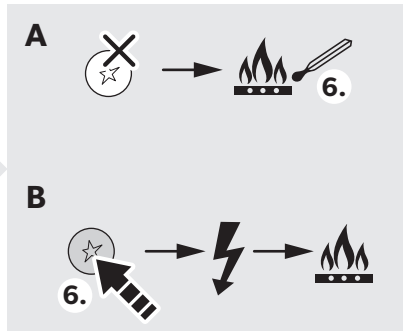
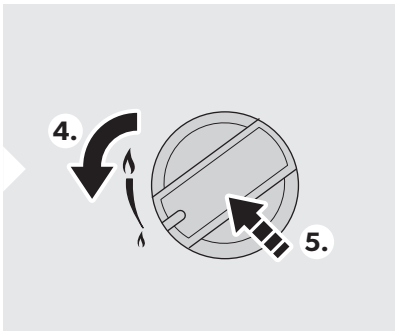
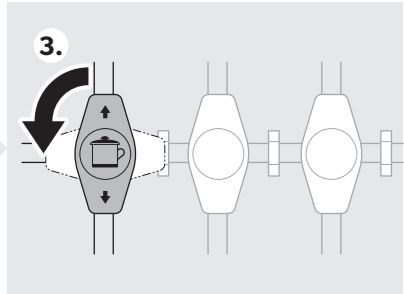
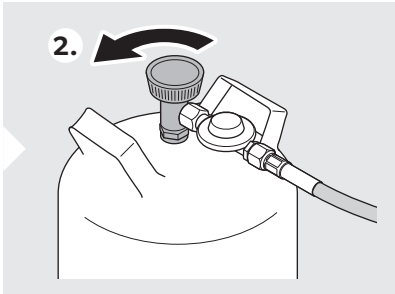
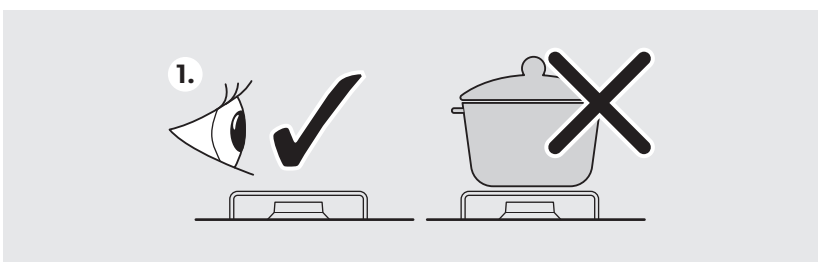


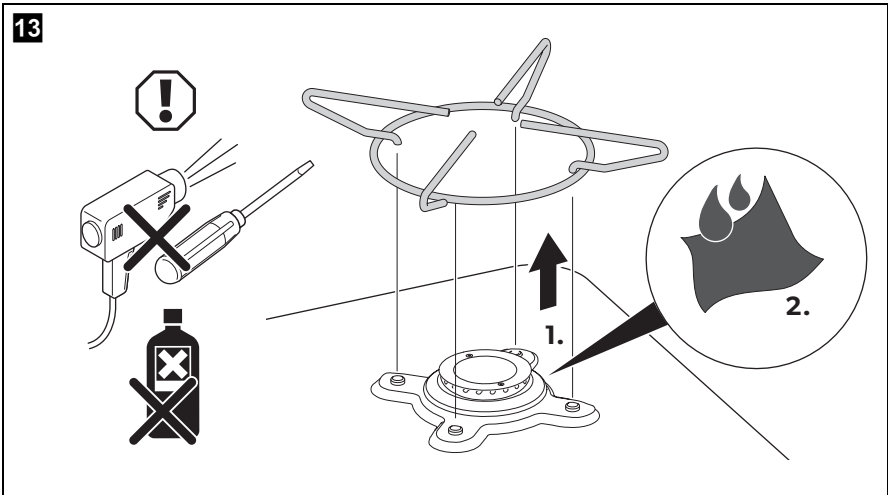
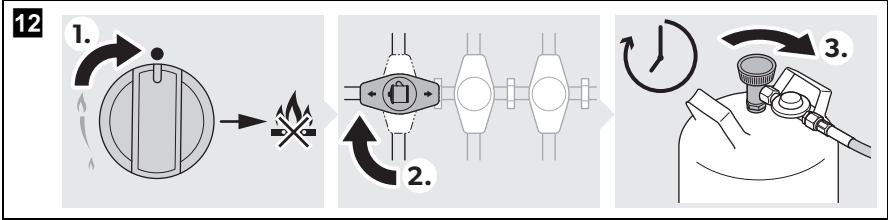
**CE99-ZF (HBG2335)**



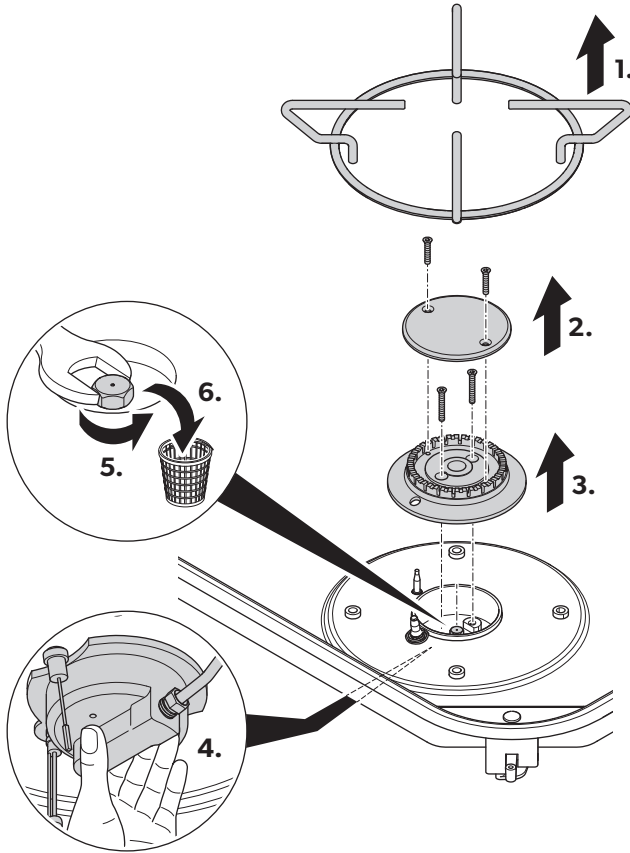


11

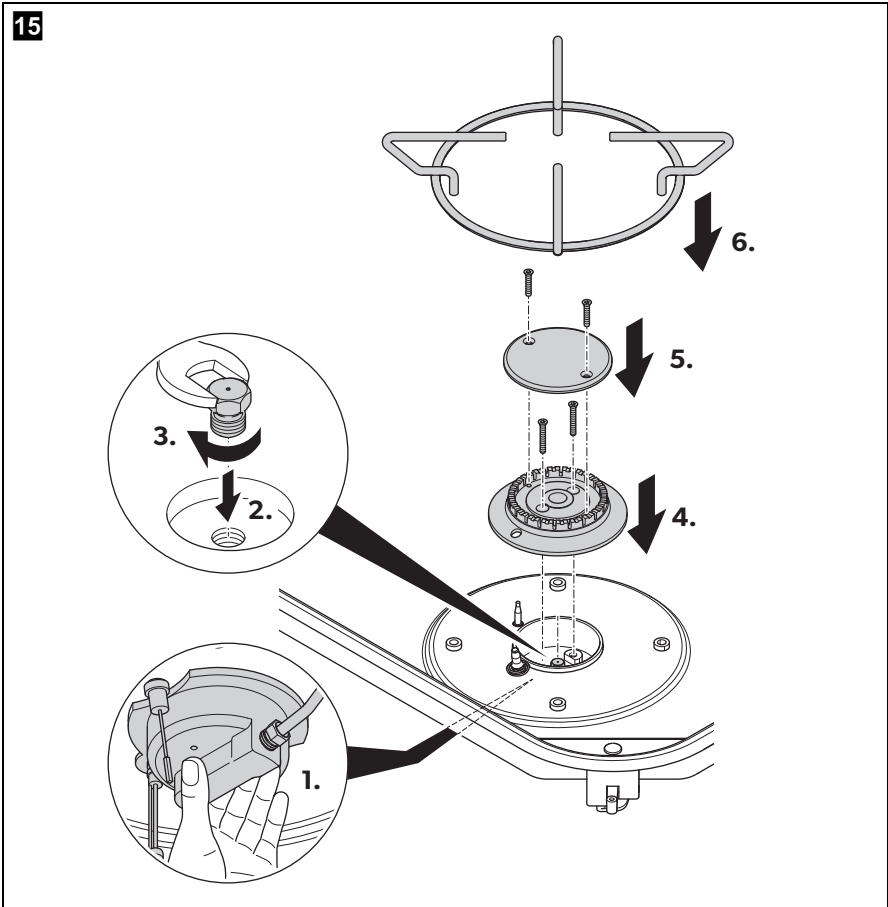




14



15



Please read these instructions carefully and follow all instructions, guidelines, and warnings included in this product manual in order to ensure that you install, use, and maintain the product properly at all times. These instructions **MUST** stay with this product.

By using the product, you hereby confirm that you have read all instructions, guidelines, and warnings carefully and that you understand and agree to abide by the terms and conditions as set forth herein. You agree to use this product only for the intended purpose and application and in accordance with the instructions, guidelines, and warnings as set forth in this product manual as well as in accordance with all applicable laws and regulations. A failure to read and follow the instructions and warnings set forth herein may result in an injury to yourself and others, damage to your product or damage to other property in the vicinity. This product manual, including the instructions, guidelines, and warnings, and related documentation, may be subject to changes and updates. For up-to-date product information, please visit [dometic.com](http://dometic.com).

## Contents

1	Description of symbols . . . . .	13
2	General safety instructions . . . . .	14
3	Scope of delivery . . . . .	17
4	Intended use . . . . .	17
5	Technical description . . . . .	18
6	Installing the device . . . . .	19
7	Using the device . . . . .	21
8	Cleaning the device . . . . .	23
9	Maintaining the device . . . . .	24
10	Warranty . . . . .	25
11	Disposal . . . . .	25
12	Technical data . . . . .	26
12	Test/certificates . . . . .	27

## 1 Description of symbols



### **WARNING!**

**Safety instruction:** Indicates a hazardous situation that, if not avoided, could result in death or serious injury.



### **CAUTION!**

**Safety instruction:** Indicates a hazardous situation that, if not avoided, could result in minor or moderate injury.

**NOTICE!**

Indicates a situation that, if not avoided, can result in property damage.

**NOTE**

Supplementary information for operating the product.

## 2 General safety instructions

### 2.1 General safety

**WARNING!**

- This device must only be repaired by qualified personnel. Improper repairs can result in considerable danger or damage to the device.
- This device must be installed in accordance with regulations in force and only used in a well ventilated space. Read the instructions before installing or using this device. The device must be installed by specialist technicians.  
Installation must conform with local codes or in the absence of local codes, with the American National Standard for Recreational Vehicles, ANSI/A119.2 and the National Electrical Code, ANSI/NFPA 70. In Canada, installation must conform with CSA Z240.4.2-M.
- The device is not to be used as a space heater.
- This device is designed to cook foods only. Any other use is considered incorrect and dangerous.
- Any storage cabinet placed directly above the device should not be used when one or more of the device burners are on. The manufacturer is not responsible for any damage to persons or parts due to incorrect installation, improper, incorrect, or irresponsible use.
- Do not modify this device.
- Observe the gas category and the allowed gas given in chapter “Technical data” on page 26. Do **not** use any other fuels.
- Keep a suitable fire extinguisher in the immediate vicinity. Ensure that the fire extinguisher is checked by a specialist in regular intervals.
- Do not use or store flammable materials in the device storage drawer or near this device.

- Prior to installation, ensure that the local distribution conditions (nature of the gas and gas pressure) and the adjustment of the device are compatible.
- The adjustment conditions for this device are stated on the label.
- This device is not connected to a combustion products evacuation device. It shall be installed and connected in accordance with current installation regulations. Particular attention shall be given to the relevant requirements regarding ventilation.

**CAUTION!**

- In case of safety glass cover breakage:
  - Shut off immediately all burners and any electrical heating element and isolate the device from the power supply.
  - Do not touch the device surface.
  - Do not use the device.

## 2.2 Safety when operating with gas

**WARNING!**

- Keep flammable substances away from heating and cooking devices, and other light and heat sources.
- **Suffocation hazard!**  
Before switching on the device, ensure that the area is sufficiently ventilated. During operation, there must be air vents with a cross-section of at least 23.25 in<sup>2</sup> (150 cm<sup>2</sup>) in the installation space. These vents can be closed, but must be kept open when the device is operating (see sign located above the device).
- **Only** operate the device at the pressure specified on the type plate. Only use pressure regulators with a fixed setting that comply with the national regulations.
- Compare the pressure information on the type plate with the pressure information on the propane or butane gas cylinder.
- If you smell gas:
  - Open all windows and leave the room.
  - Do not operate any electrical devices or switches, and avoid using open flames that can ignite the gas.
  - Close the valve on the gas cylinder and keep it closed until the fault has been rectified.
  - Never attempt to find a gas leak with an open flame.

- For countries which are not mentioned in chapter “Technical data” on page 26 (country symbol) refer to national regulations. If necessary the device must be modified according to these national regulations.

## 2.3 Operating the device safely



### **WARNING! Failure to obey these warnings could result in death or serious injury.**

- Use the integrated igniter (if available) or long matches or a suitable lighter. The complete ignition process must be visible from above and must not be hidden by pots placed on the stove. Remove your hand quickly as soon as the burner ignites.
- Wear suitable clothing when operating the device. Do not wear loose fitting clothing which might catch fire.
- Do not use the device to heat the room.
- Never operate the device
  - at petrol stations
  - on ferry boats
  - while transporting the camper van, caravan or motor caravan with a transport vehicle or tow truck
- Do not spray aerosols in the vicinity of this device while it is in operation.



### **CAUTION! Failure to obey these cautions could result in minor or moderate injury.**

- Let the device cool down to ambient temperature before you touch it with bare hands.
- Keep the area surrounding the device free of grease, fat, alcoholic substances, plastics and flammable cloths (for example, curtains, towels, kitchen utensils).
- Only use pots and pans with an even base and a diameter no larger than the grids on the device. The pots and pans must be large enough to cover the flame. If the flames are not covered, items of clothing could catch fire.
- When cooking, ensure that pans and pots are firmly set down.
- Never allow pot handles to extend beyond the edge of the device. Turn pot handles inward, but not extending over other burners. This will minimize the risk of spillage, ignition of flammable materials and/or serious burns.



- Be careful when heating grease or oil. Grease and oil catch fire when exposed to intense heat.
- Use only dry pot holders to prevent the formation of steam. Do not use towels or similar items instead of pot holders, as these can catch fire.
- Only operate the device when you or another person can attend to it. Pots boiling over can cause smoke and fires.
- Turn off the device before removing the pot or pan.
- **Risk of breakage!**  
If available close the glass cover before beginning a journey. Open the glass cover before igniting the burner.

### 3 Scope of delivery

- Cooktop (PI8022, CE99-DF, CE99-ZF)
- Fastening screws (depending on the model)
- Siphon and rubber seal (depending on the model)
- Installation and operating manual

### 4 Intended use

The liquefied gas cooktops in the following model series are intended for installation in a kitchen or worktop in caravans and motor caravans. They are **not** suitable for boat or marine usage.

The model series covered by this manual are:

- PI8022
- CE99-DF (HBG3445)
- CE99-ZF (HBG2335)

The devices must only be used for cooking food. The device must **not** be used as a space heater.

This device shall be installed in accordance with the regulations in force and only used in a well ventilated space. Read the instructions before installing or using this device.

This product is only suitable for the intended purpose and application in accordance with these instructions.

This manual provides information that is necessary for proper installation and/or operation of the product. Poor installation and/or improper operating or maintenance will result in unsatisfactory performance and a possible failure.

The manufacturer accepts no liability for any injury or damage to the product resulting from:

- Incorrect assembly or connection, including excess voltage
- Incorrect maintenance or use of spare parts other than original spare parts provided by the manufacturer
- Alterations to the product without express permission from the manufacturer
- Use for purposes other than those described in this manual

Dometic reserves the right to change product appearance and product specifications.

## 5 Technical description

### 5.1 Function

The device is equipped with an automatic flame monitoring device which automatically interrupts the gas supply after approx. 20 seconds if the flame goes out.

### 5.2 Specifications for the different models

The devices are available in different versions:

- **PI8022:** Cooktop with two burners and safety glass cover
- **CE99-DF:** Cooktop with three burners and safety glass cover
- **CE99-ZF:** Cooktop with two burners and safety glass cover

The safety glass cover can be used as a work surface when it is closed.

### 5.3 Control panel

See fig. **1**, page 3

## 6 Installing the device



### **WARNING! Health hazard**

Assembly and installation of the device must only be carried out by specialists. Incorrect assembly and installation can result in serious hazards due to the escape of gas.

For proper operation of your cooking device:

- The cabinet must be
  - properly constructed.
  - squared to the countertop and cabinet face
- The opening in cabinet must be
  - level from side to side and front to rear
- The cabinet opening must be constructed so that no combustible material can be placed next to the cooktop sides.
- The maximum depth of cabinets installed above the cooking top must be 13 in (330 mm).
- The device area has to be kept clear and free from combustible materials, gasoline and other flammable vapors and liquids.
- The flow of combustion and ventilation air must not be obstructed.
- Leak testing of the device shall be conducted according to the manufacturer's instructions.

### 6.1 Selecting the installation location

When selecting the installation location, observe the following instructions:

- Consider the volume of air required for combustion (chapter “Technical data” on page 26).
- During operation, there must be air vents with a cross-section of at least 23.25 in<sup>2</sup> (150 cm<sup>2</sup>) in the installation room.
- Make sure that minimum distances (fig. **2**, page 4) are observed.
- Ensure that there are no drafts at the installation location.

## 6.2 Installing the device

- ▶ Create a cutout according to the installation drawing:
  - PI8022: fig. **3**, page 4
  - CE99-ZF: fig. **4**, page 5
  - CE99-DF: fig. **5**, page 5
- ▶ Affix the device to the worktop using the screws (fig. **6**, page 6 – fig. **7**, page 6).

## 6.3 Connecting the device to the gas supply



### **WARNING! Risk of injury**

Only use propane or butane gas cylinders with a certified pressure reduction valve and suitable head. Compare the pressure information on the type plate with the pressure information on the propane or butane gas cylinder.

You must use a rigid gas line for the connection.

Observe the following instructions for the connection:

- Observe the national requirements.
- Use only steel pipe  $\varnothing^{5/16} \times^{3/64}$  in. ( $\varnothing 8 \times 1$  mm) (welded, seamless steel or stainless steel)
- Fasten the gas line to the side or rear wall of the surrounding furniture parts so that no loads are placed on the actuators.
- The entire gas line must be free of stress.
- ▶ Connect the pipes as shown (fig. **8**, page 7).
- ▶ Attach a sign above the device with the following text:
 

“WARNING!  
When cooking, additional ventilation must be provided, for example, by opening windows near the device.  
Never use this device as a space heater to heat or warm the room. Doing so may result in carbon monoxide poisoning and overheating of the device.”
- ▶ Open the gas supply.



### **WARNING! Risk of injury**

Never check for leaks with an open flame or near sources of ignition.

- ▶ Check all connections for leaks with leak spray.  
There are no leaks if no bubbles form.

## 6.4 Connecting the device to the power supply (models with electronic ignition only)

- ▶ Connect the device as shown (fig. **9**, page 7).
- ▶ Add a 1 A fuse in the plus line near the battery.

# 7 Using the device



### WARNING!

- Use the device only in a well ventilated space. The use of a gas cooking device results in the production of heat and moisture in the room in which it is installed.
- Ensure that the kitchen is well ventilated: keep natural ventilation aperture open or install a mechanical ventilation device (mechanical extractor hood).
- Prolonged intensive use of the device may require additional ventilation, for example opening of a window, or more effective ventilation, for example increasing the level of the mechanical ventilation where present.
- Cooking facilities must not be used to heat the inside of the vehicle.
- Use oven gloves or pot holders when handling hot elements.
- Never lay pyrex lids or other items on the burners.



### CAUTION!

- This device must only be used by responsible adults. During and immediately after use accessible parts may be hot; do not touch them and keep children away.
- Once cooking is completed, ensure that all gas control knobs are turned to the off position. After use turn off the gas at the main supply.

## 7.1 Igniting a burner



### WARNING! Risk of injury




The complete ignition process must be visible from above and must not be hidden by pots placed on the stove.  
The top cover must be open when the main burner is in operation.



### NOTICE!

The flame must not extend beyond the edge of the pot. Centre the pot above the burner ensuring stability on the pot grid (see page 3).

- Choose a pot according to the following table:

Burner (fig. 10, page 8)	Pot diameter	
A	3.5 – 6 in. (9 – 15 cm)	
B	3.9 – 7 in. (10 – 18 cm)	
C	6.2 – 8.7 in. (16 – 22 cm)	

- Ignite a burner as shown (fig. 11, page 9).

## 7.2 Switching off the device

- Switch off the device as shown (fig. 12, page 10).

## 7.3 Replacing the gas cylinder



### **WARNING! Risk of injury**

Only replace the gas cylinder when there is good ventilation  
Make sure that there is no source of ignition nearby.  
Only change the gas cylinder when the device is not in use and the gas supply to the device is switched off.

- ▶ Switch the device off by turning the knob to the zero setting.
- ▶ Close the valve on the gas cylinder.
- ▶ Replace the gas cylinder according to the instructions from the gas fitting manufacturer.

## 8 Cleaning the device



### **CAUTION! Hot surface**

The surface may still be hot. Keep children away.  
Let the device cool down to ambient temperature before you touch it with bare hands.



### **NOTICE!**

Do not use any sharp or hard objects for cleaning since they may damage the device.  
Only use standard commercial cleaning agents.  
Do not use a steam cleaner to clean the device.

- ▶ Clean the device as shown (fig. **13**, page 10).

## 9 Maintaining the device

### 9.1 Annual safety check

- ▶ For safety reasons, have the device checked by an expert every year for proper function. Any defects must be repaired.

### 9.2 Replacing the nozzles

**WARNING! Risk of injury**

If a nozzle is damaged it needs to be replaced. Nozzles must only be replaced by qualified specialists. Incorrect assembly and installation can result in serious hazards due to the escape of gas.

- ▶ Replace the nozzles as shown:
  - Disassembly: fig. **14**, page 11
  - Assembly: fig. **15**, page 12



## 10 Warranty

LIMITED WARRANTY AVAILABLE AT  
DOMETIC.COM/WARRANTY.

IF YOU HAVE QUESTIONS OR TO OBTAIN A COPY OF THE LIMITED WARRANTY  
FREE OF CHARGE, CONTACT THE DOMETIC WARRANTY DEPARTMENT:

DOMETIC CORPORATION  
CUSTOMER SUPPORT CENTER  
1120 NORTH MAIN STREET  
ELKHART, INDIANA 46514  
1-800-544-4881 OPT. 3


## 11 Disposal

- Place the packaging material in the appropriate recycling waste bins wherever possible.






If you wish to finally dispose of the product, ask your local recycling centre or specialist dealer for details about how to do this in accordance with the applicable disposal regulations.

## 12 Technical data

	<b>Cooktop</b>
Gas category:	Category I <sub>3+</sub> , propane
Connection pressure:	US, CA, MX, BR: Inlet: min. 11 in. W. C. (1/2 PSI), max 14 in. W. C. (1/2 PSI) Manifold: 10 in. W. C. (1/2 PSI)
Connection voltage (models with electronic ignition only):	12 V $\overline{=}$ (1 A fuse)
Inspection/certification:	

See fig. 10, page 8:

Model	Burner A 		Burner B 		Burner C 	
	Injector mm	Power BTU/h	Injector mm	Power BTU/h	Injector mm	Power BTU/h
<b>PI80X2</b>	0.61	3700	–	–	0.78	5900
<b>CE99-ZF</b>	0.61	3700	0.73	5250	–	–
<b>CE99-DF</b>	0.61	3700	0.73	5250	–	–

Model	Total heat input (BTU/h)
<b>PI80X2</b>	9600
<b>CE99-ZF</b>	8950
<b>CE99-DF</b>	12650

## Test/certificates

This device complies with Part 15 of the FCC Rules. Operation is subject to the following two conditions:

- (1) this device may not cause harmful interference, and
- (2) this device must accept any interference received, including interference that may cause undesired operation.

Changes or modifications not expressly approved by the part responsible for compliance could void the user's authority to operate the equipment.

This equipment has been tested and found to comply with the limits for a Class B digital device, pursuant to part 15 of the FCC Rules. These limits are designed to provide reasonable protection against harmful interference in a residential installation. This equipment generates, uses and can radiate radio frequency energy and, if not installed and used in accordance with the instructions, may cause harmful interference to radio communications. However, there is no guarantee that interference will not occur in a particular installation. If this equipment does cause harmful interference to radio or television reception, which can be determined by turning the equipment off and on, the user is encouraged to try to correct the interference by one or more of the following measures:

- Reorient or relocate the receiving antenna.
- Increase the separation between the equipment and receiver.
- Connect the equipment into an outlet on a circuit different from that to which the receiver is connected.
- Consult the dealer or an experienced radio/TV technician for help.