



IMPORTANT SAFETY RECALL

Airstream Travel Trailer
NHTSA 22V-348/Transport Canada 2022-355

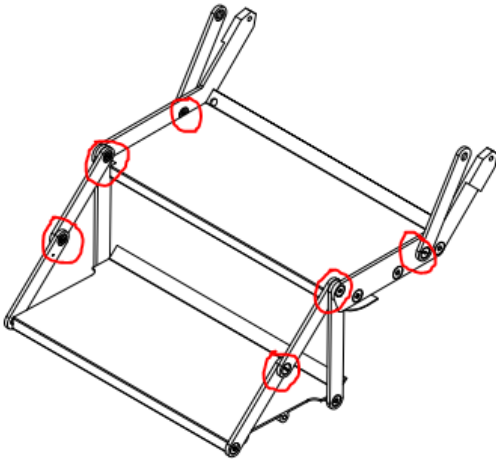
Operation Code: **TTSBR8399079**

Labor Rate: **.25 to change all six washers**

Range of vehicles involved

Airstream travel trailers (excluding Bambi & Caravel) built between: **March 28, 2022 – June 1, 2022**

It has come to Airstream's attention that travel trailers manufactured with the aluminum step (part #: 3440006) may have a defective washer installed in the (6) washer and screw fastener locations. This step failure may be due to the washer chamfer being machined too deep, allowing the screw to be pulled through when a load is applied. This step is installed on Classic, Pottery Barn, Globetrotter, International, and Flying Cloud models.





If the travel trailer was manufactured between March 28, 2022 and June 1, 2022 the six washers will need to be replaced. This manufacture date can be found on the roadside front of the trailer. Please contact Airstream Owner Relations at (937) 596-6111 ext. 7491 or support@airstream.com for warranty replacement parts.



Please adhere to the following repair procedures:

1. Remove the screw from the step extrusion assembly using 1/8" Allen wrench and 5/32" Allen wrench or a flat head screw driver.
2. Remove the washer and replace with new washer in all six locations (supplied by Airstream Service Center).
3. Place Loctite (RED) thread locker on the threads of the screw.
4. Start screw with hands until thread engages properly.
5. Use the same 1/8" Allen wrench and 5/32" Allen wrench or flat head screw driver to tighten screw back into washer and step assembly.

Please contact Airstream Owner Relations at 937-596-6111 ext. 7491 or support@airstream.com if you need further assistance.

Owner Relations Team

Airstream Inc.