



RECALL

R22BU: Gasoline Supply Line Rubbing Condition on Ford 7.3L

Models Affected: Certain model year 2022 and 2023 Blue Bird Visions, equipped with the 7.3L gasoline engine and 100-gallon fuel tank.

Issue: Improper routing and securement of the fuel line could cause unintended contact with certain fasteners on the chassis and cause a potential fuel leak.

Corrective Action: Inspect the fuel supply line for proper routing and determine if further action(s) are necessary. Possible corrective actions are relocating clamp position and/or replacement of the fuel supply line. Reference Figures 1-4 for proper routing and securement.

WARNING: Always follow all Federal, State, Local and Shop safety standards and use proper safety equipment, and thoroughly read and understand all instructions before performing these procedures. Park bus on level surface, apply parking brake, turn off ignition key, and chock wheels.

NOTE: Access to inspect and make repairs is gained by sitting up in front of the fuel tank, reaching above the crossmember. This is likely a 2-person repair, due to the reach length of both sides of the fastener.

NOTE: After visual inspection results, only one of the following repairs will be needed:

- **Repair A – Inspection Only** - Inspection finds no physical damage to the fuel line, and is routed properly, per Figure 1
 - No action required
- **Repair B – Inspect and Re-route** - Inspection finds no physical damage to the gasoline fuel pressure line, but it is routed improperly
 - Remove tie-wrap securing fuel line, per Figure 5
 - Re-locate, clock, and install tie-wrap anchor, per Figure 6, 7, and 8. If missing, install item 4, 5, and 6 from the parts list below into the location noted in Figure 7.
 - Re-position fuel line and secure, per Figure 8
- **Repair C – Inspect and Replace** - Inspection finds physical damage to the fuel line
 - Remove 25A fuel pump fuse from chassis PCB at location 16.
 - Start engine and allow to stall. Once the engine stalls, crank the engine again to ensure fuel rail pressure is depleted.
 - Disconnect the negative battery cable
 - Remove and replace the fuel line. Ensure proper routing, per Figure 1, 2, 8, and 9 and secure.
 - It may be necessary to re-locate the fuel line anchor on the tank. If so, cut a 1-inch section of Item 2 listed below and secure to the tank. Then secure the line to the bulb seal with Item #1. See Figure 10
 - Re-install negative battery cable and 25A fuse previously removed from location 16 on the chassis PCB
 - Cycle the key to the ON position, pause 3-5 seconds and turn the key to the OFF position. Wait 20 seconds, and turn key to the ON position. Pause 3-5 seconds then turn key to the OFF position. Proceed to inspect each end of the fuel line for any fuel leaks. Repair as necessary
 - Start the engine and verify no leaks
 - Connect IDS and clear/reset faults. Return unit to service.

Parts/Items Needed:

Item	Part Number	Description	Quantity	Repair
1	00029998	TIE, CABLE, 250LB	2	A, B, C
2	01377274	EXTRUSION, RUBBER, UPPER DOOR SEAL 36 DR AA	1	C only
3	10073820	FUEL LINE, GAS, SUPPLY SECTION 3, 100 GAL, 2022	1	C only
4	10046602	MOUNT, CABLE TIE, HD,.375 HOLE, W/BUSHING	1	B only if missing
5	00803213	CAPSCREW, HEX HD,3/8-16X1 1/4, GR8, YEL ZNDICH	1	B only if missing
6	01013689	NUT, HEX HD,3/8-16, WASHER SER, YEL ZN DICH	1	B only if missing

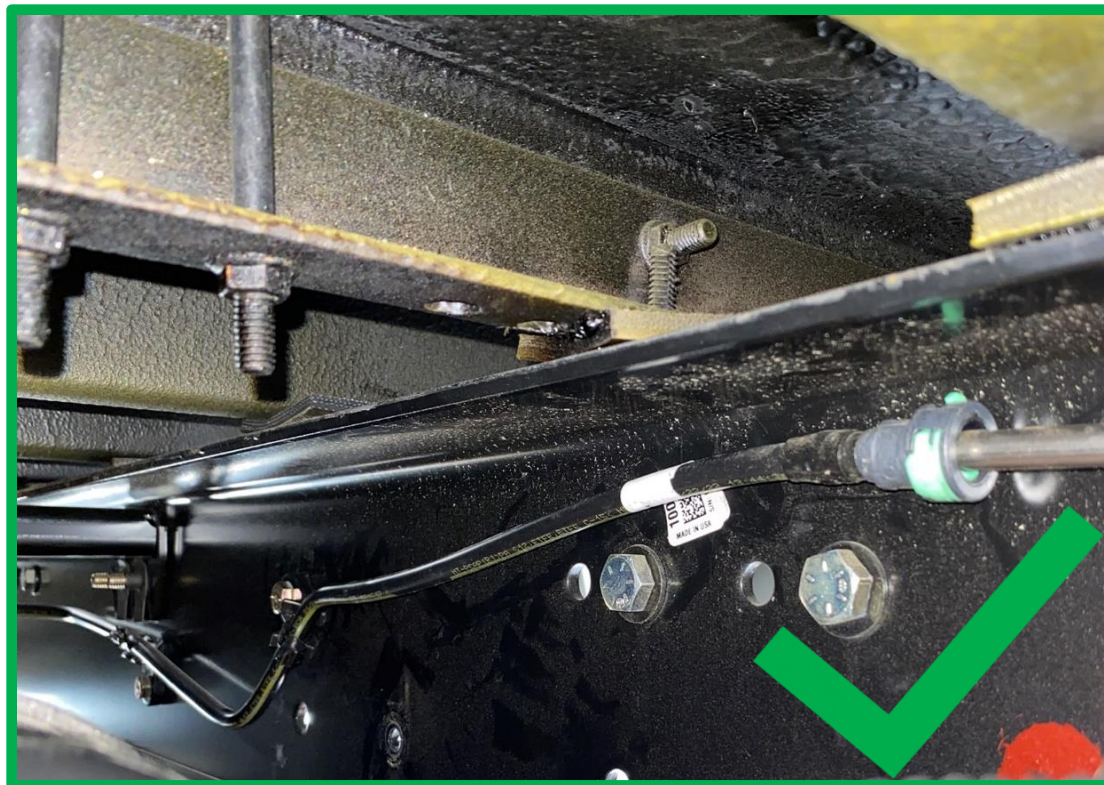


FIGURE 1

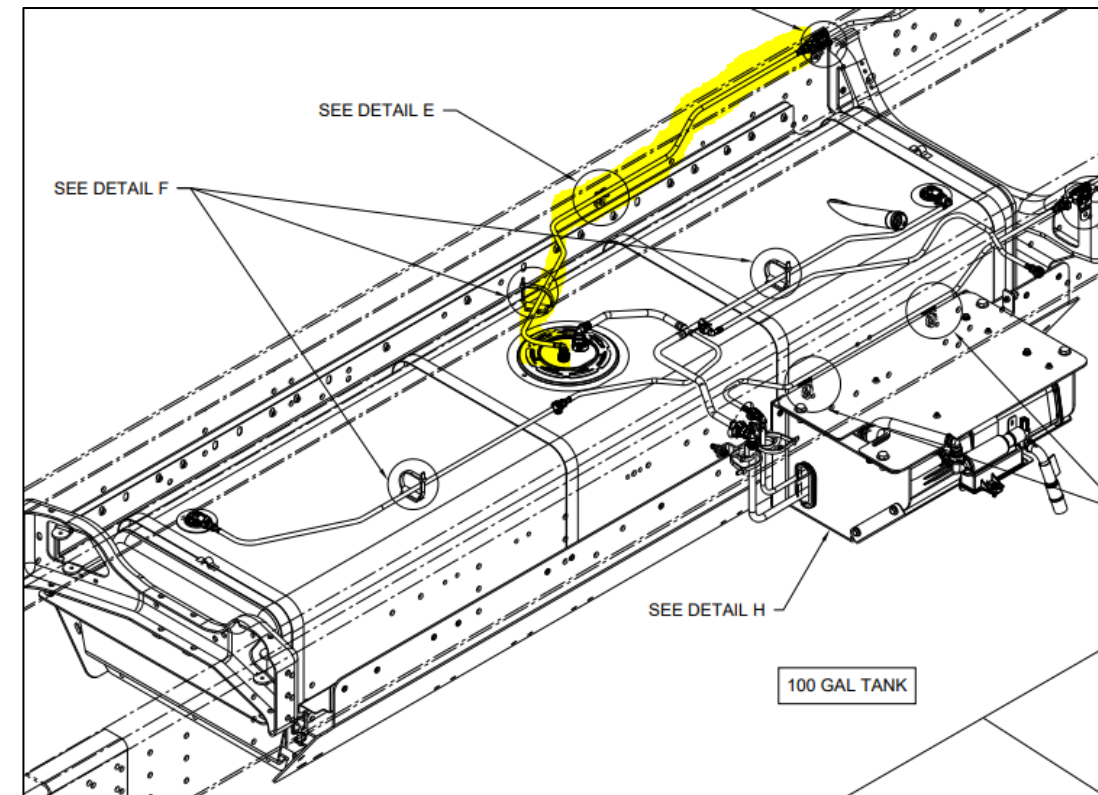


FIGURE 2

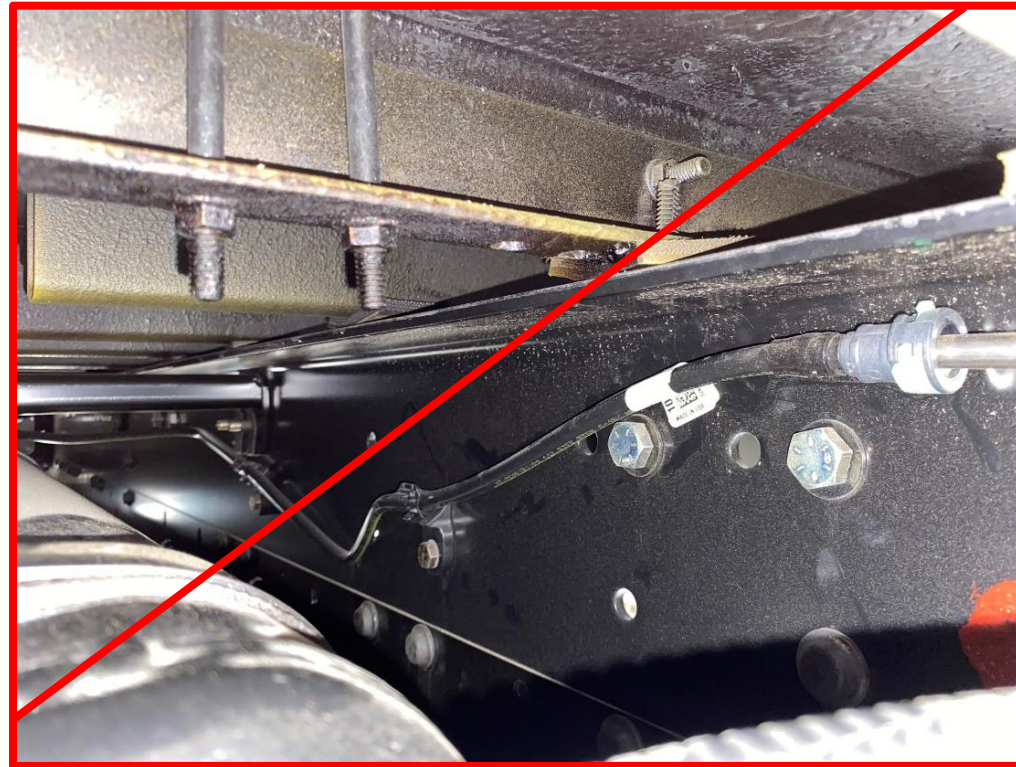


FIGURE 3



FIGURE 4



FIGURE 5

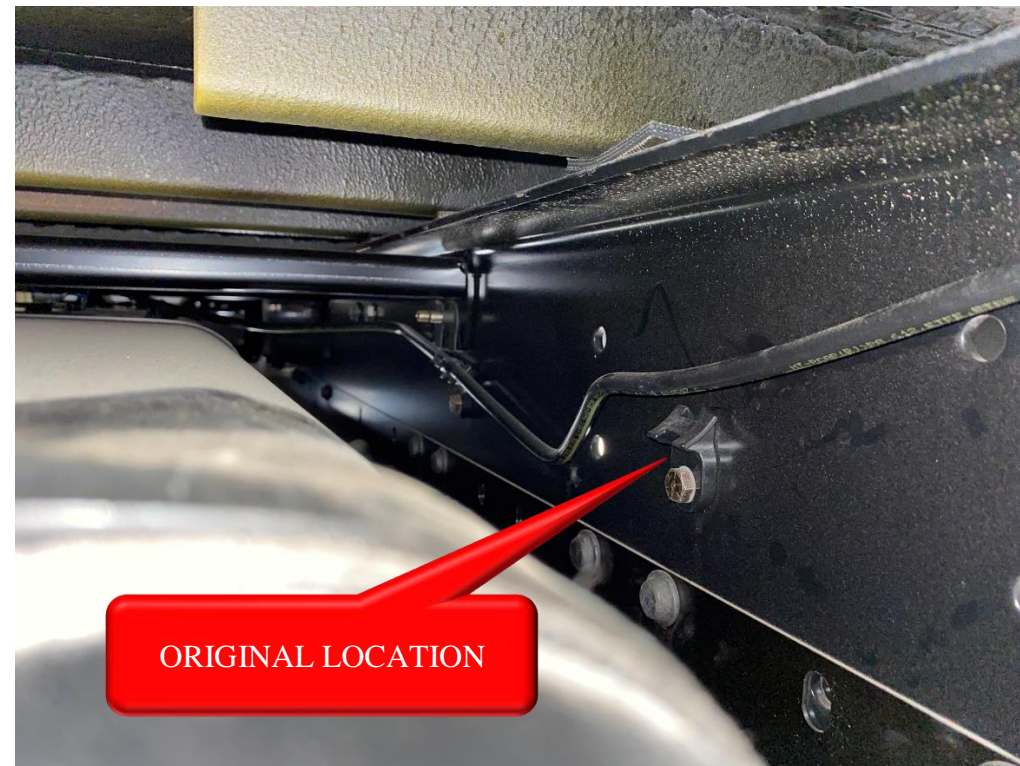


FIGURE 6



FIGURE 7



FIGURE 8

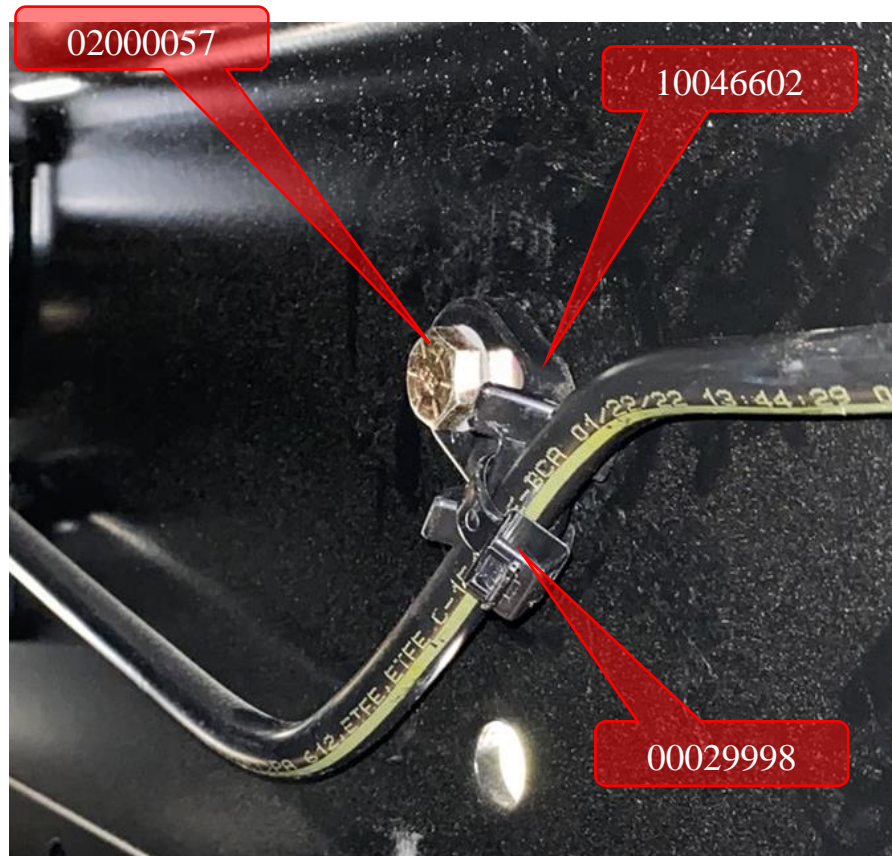


FIGURE 8



FIGURE 9



RECALL

R22BU: Gasoline Supply Line Rubbing Condition on Ford 7.3L

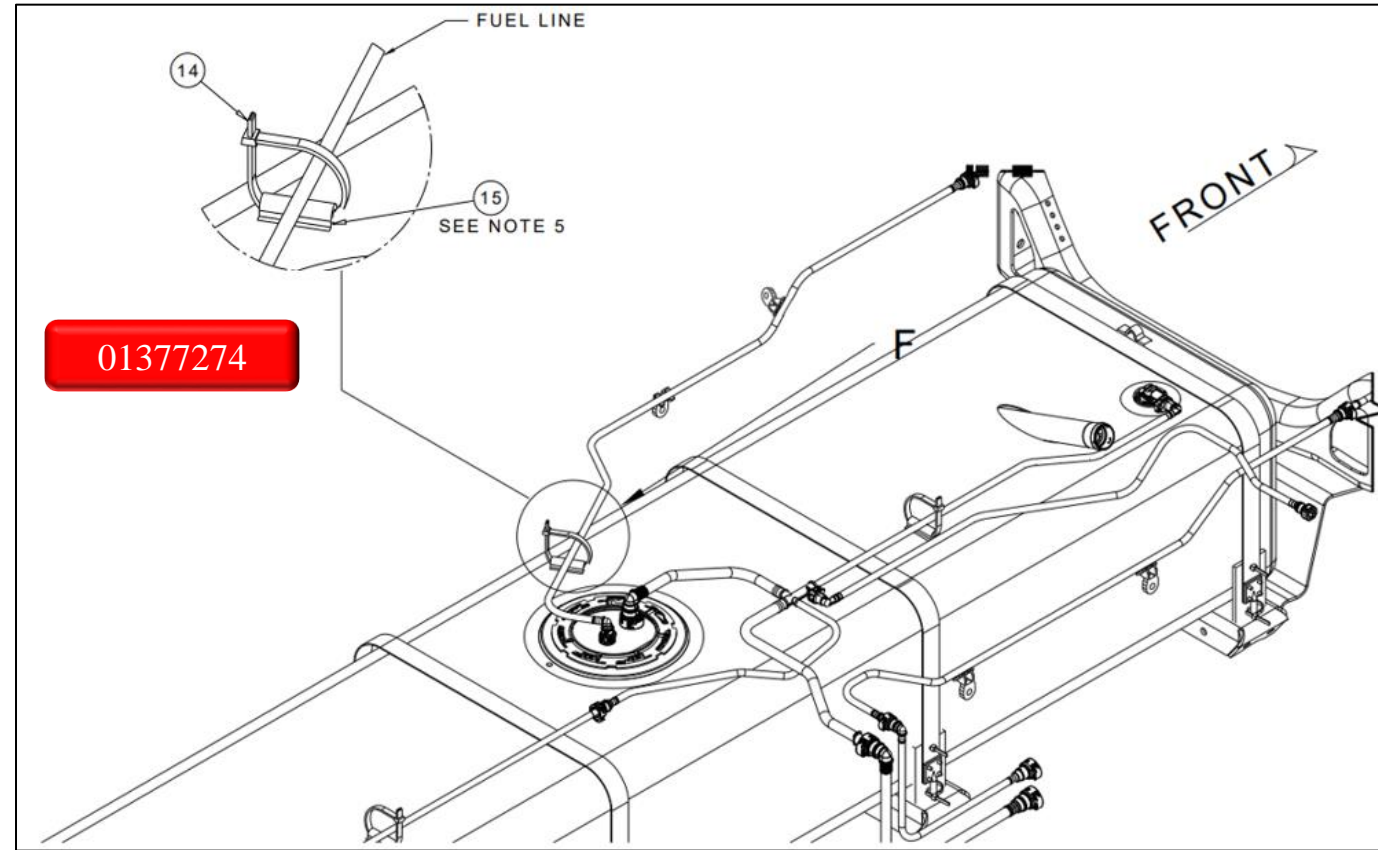


FIGURE 10