



# Safety Recall

## Code: 42L8

<b>Subject</b>	<b>Rear Suspension Knuckles</b>																									
<b>Release Date</b>	June 7, 2022																									
<b>Affected Vehicles</b>	<table border="1"><thead><tr><th>Country</th><th>Beginning Model Year</th><th>Ending Model Year</th><th>Vehicle</th><th>Vehicle Count</th></tr></thead><tbody><tr><td>USA</td><td>2022</td><td>2022</td><td>TAOS</td><td>2,490</td></tr><tr><td>USA</td><td>2021</td><td>2022</td><td>TIGUAN</td><td>7,629</td></tr><tr><td>CAN</td><td>2022</td><td>2022</td><td>TAOS</td><td>1,150</td></tr><tr><td>CAN</td><td>2021</td><td>2022</td><td>TIGUAN</td><td>2,432</td></tr></tbody></table>	Country	Beginning Model Year	Ending Model Year	Vehicle	Vehicle Count	USA	2022	2022	TAOS	2,490	USA	2021	2022	TIGUAN	7,629	CAN	2022	2022	TAOS	1,150	CAN	2021	2022	TIGUAN	2,432
Country	Beginning Model Year	Ending Model Year	Vehicle	Vehicle Count																						
USA	2022	2022	TAOS	2,490																						
USA	2021	2022	TIGUAN	7,629																						
CAN	2022	2022	TAOS	1,150																						
CAN	2021	2022	TIGUAN	2,432																						
	<p>Check Campaigns/Actions screen in ELSA on the day of repair to verify that a VIN qualifies for repair under this action. ELSA is the <u>only</u> valid campaign inquiry &amp; verification source.</p> <ul style="list-style-type: none"><li>✓ Campaign status must show "open."</li><li>✓ If ELSA shows other open action(s), inform your customer so that the work can also be completed at the same time the vehicle is in the workshop for this campaign.</li></ul>																									
<b>Problem Description</b>	Vehicles included in this recall may have been assembled with incorrectly manufactured rear knuckles. In the event of a rear knuckle breakage, the stability in the rear suspension will be compromised. Depending on the traffic/driving circumstances and driver behavior, this situation could pose a risk of a crash.																									
<b>Corrective Action</b>	Inspect and, if necessary, replace one or both rear suspension knuckles.																									
<b>Code Visibility</b>	On or about June 7, 2022, the campaign code will be applied to affected vehicles.																									
<b>Owner Notification</b>	Owner notification will take place in June 2022. Owner letter examples are included in this bulletin for your reference.																									
<b>Additional Information</b>	<p><b>Please alert everyone in your dealership about this action, including Sales, Service, Parts and Accounting personnel. Contact Warranty if you have any questions.</b></p> <p><b>IMPORTANT REMINDER ON VEHICLES AFFECTED BY SAFETY &amp; COMPLIANCE RECALL:</b></p> <p><b><u>New Vehicles in Dealer Inventory:</u> It is a violation of federal law for a dealer to deliver a new motor vehicle or any new or used item of motor vehicle equipment (including a tire) covered by this notification under a sale or lease until the defect or noncompliance is remedied. By law, dealers must correct, prior to delivery for sale or lease, any vehicle that fails to comply with an applicable Federal Motor Vehicle Safety Standard or that contains a defect relating to motor vehicle safety.</b></p> <p><b><u>Pre-Owned Vehicles in Dealer Inventory:</u> Dealers should not deliver any pre-owned vehicles in their inventory which are involved in a safety or compliance recall until the defect has been remedied.</b></p> <p>Dealers must ensure that every affected inventory vehicle has this campaign completed before delivery to consumers.</p> <p>Fill out and affix Campaign Completion Label (CAMP 010 000) after work is complete. Labels can be ordered at no cost via the Compliance Label Ordering portal at <a href="http://www.vwhub.com">www.vwhub.com</a>.</p>																									

## Parts Information (if necessary)

<b>Parts Control Type:</b> <b>VIN to Order</b>	If parts are needed to support a vehicle repair: <ul style="list-style-type: none"> <li>• US Dealers - use AVA</li> <li>• CAN Dealers - contact the Parts Specialists via phone (800-767-6552), email (VWoAPartsSpecialists@vw.com), or chat/text with the VIN to order</li> </ul>
---	--

<b>Parts Control Type:</b> <b>Free Order</b>	Parts will be managed by Free Order
---	-------------------------------------

<b>Initial Allocation:</b> <b>NO</b>	There will be no parts allocation. Please reference the Repair Projection Tool (below) to view your potential VIN population.
---	---

<b>Repair Projection Tool:</b> <b>(right click to open)</b>	
--	---

Criteria	Quantity	Part Number	P.O.C. Part Description	Ordering Method (see description above)
01	1	5QM-505-435-C	HOUSING (left – TAOS)	Vin to Order
	1	5QM-505-436-C	HOUSING (right – TAOS)	
	1	5QN-505-435-A	HOUSING (left – TIGUAN)	
	1	5QN-505-436-A	HOUSING (right – TIGUAN)	
	Up to 2	5Q0-407-621-F	WHEEL HUB (only use if bearing is damaged during removal)	Free Order
	Up to 6	WHT-000-237-C	BALL SCREW	
	Up to 2	WHT-005-437-A	12POINT S	
	Up to 4	N -911-689-01	BOLT	
	Up to 4	N -108-834-01	SCREW	
	Up to 2	N -101-064-02	NUT	
	Up to 2	N -106-284-01	BOLT	
	Up to 2	WHT-005-749	BOLT	
	Up to 2	N -912-013-01	BOLT	
	Up to 2	N -104-018-01	NUT	
	Up to 2	N -106-403-01	BOLT	
	Up to 2	N -107-765-01	BOLT	
Up to 2	N -901-838-04	NUT		

### NOTE

The specified part numbers reflect the status at the start of this action. Interim updates made in ETKA can cause a listed part number to become unavailable. In this case, the new part number specified in ETKA should be used.

## Claim Entry Instructions

The labor times listed here may differ from the labor operations and labor times listed in ELSA.

After campaign has been completed, enter claim as soon as possible to help prevent work from being duplicated elsewhere. Attach the ELSA screen print showing action open on the day of repair to the repair order.

If customer refused campaign work:

- ✓ U.S. dealers: Submit request via WISE under the *Campaigns/Update/Recall Closure* option.
- ✓ Canada dealers: Upload the repair order [signed by customer] to Volkswagen WIN/Operations/Campaign Closure.

<b>Service Number</b>	42L8		
<b>Damage Code</b>	0099		
<b>Parts Vendor Code</b>	WWO		
<b>Claim Type</b>	Sold vehicle: 7 10 Unsold vehicle: 7 90		
<b>Causal Indicator</b>	Mark labor as causal if both housings are NOT replaced Mark HOUSING* as causal part if one or both housings ARE replaced		
<b>Vehicle Wash/Loaner</b>	Do not claim wash/loaner under this action  <b>U.S.A.:</b> Loaner/rental coverage cannot be claimed under this action. However, loaner/rental may be covered under the Alternate Transportation Program. Please refer to the Volkswagen Warranty Policy and Procedures Manual for loaner claims information and reimbursement details.  <b>Canada:</b> Loaner/rental coverage cannot be claimed under this action. Please refer to Volkswagen Service Loaner Program to determine loaner eligibility.		
<b>Criteria I.D.</b>	01		
	Inspect both rear wheel bearing housings. Both housings are OK. No further work required.		
	<b>LABOR</b>		
	<b>Labor Op</b>	<b>Time Units</b>	<b>Description</b>
	0183 00 99	20	Inspect rear wheel bearing housings, no further work required

Continued on next page

<b>-OR-</b>	Inspect both rear wheel bearing housings. ONE housing is NOT OK. Replace one rear wheel bearing housing.		
<b>LABOR</b>			
<b>Model</b>	<b>Labor Op</b>	<b>Time Units</b>	<b>Description</b>
Taos	4252 55 99	230	Replace one wheel bearing housing
Tiguan FWD	4252 55 99	180	
Tiguan 4-Motion	4252 55 99	230	
<b>PARTS</b>			
<b>Model</b>	<b>Quantity</b>	<b>Part Number</b>	<b>Description</b>
Taos	1.00	5QM505435C or 5QM505436C	HOUSING*
Tiguan FWD or 4-Motion	1.00	5QN505435A or 5QN505436A	HOUSING*
ALL	2.00	N 10106402	SHOULDERED HEX. NUT, SELF-LOCKING
	1.00	N 10401801	SHOULDERED HEX. NUT
	1.00	N 10628401	BOLT, HEX HD. WITH SHOULDER
	1.00	N 10640301	BOLT, HEX HD. WITH SHOULDER
	1.00	N 10776501	HEXAGON FLANGE SCREW
	2.00	N 10883401	SCREW
	1.00	N 90183804	NUT
	2.00	N 91168901	BOLT, WITH POLYGON SOCKET HD. (COMBI.)
	1.00	N 91201301	BOLT, HEX. HD. (COMBI.)
	3.00	WHT000237C	SCREW, CSK. HD. WITH POLYGON SOCKET HD.
	1.00	WHT005437A	12POINT S
	1.00	WHT005749	FITTED BOLT, HEX. HEAD

Continued on next page

<b>-OR-</b>	Inspect both rear wheel bearing housings. BOTH housings are NOT OK. Replace both rear wheel bearing housings.		
<b>LABOR</b>			
<b>Model</b>	<b>Labor Op</b>	<b>Time Units</b>	<b>Description</b>
Taos	4252 56 99	410	Replace two wheel bearing housings
Tiguan FWD	4252 56 99	330	
Tiguan 4-Motion	4252 56 99	410	
<b>PARTS</b>			
<b>Model</b>	<b>Quantity</b>	<b>Part Number</b>	<b>Description</b>
Taos	1.00	5QM505435C	HOUSING*
	1.00	5QM505436C	HOUSING
Tiguan FWD or 4-Motion	1.00	5QN505435A	HOUSING*
	1.00	5QN505436A	HOUSING
ALL	4.00	N 10106402	SHOULDERED HEX. NUT, SELF-LOCKING
	2.00	N 10401801	SHOULDERED HEX. NUT
	2.00	N 10628401	BOLT, HEX HD. WITH SHOULDER
	2.00	N 10640301	BOLT, HEX HD. WITH SHOULDER
	2.00	N 10776501	HEXAGON FLANGE SCREW
	4.00	N 10883401	SCREW
	2.00	N 90183804	NUT
	4.00	N 91168901	BOLT, WITH POLYGON SOCKET HD. (COMBI.)
	2.00	N 91201301	BOLT, HEX. HD. (COMBI.)
	6.00	WHT000237C	SCREW, CSK. HD. WITH POLYGON SOCKET HD.
	2.00	WHT005437A	12POINT S
	2.00	WHT005749	FITTED BOLT, HEX. HEAD

Continued on next page

<b>-AND-</b>	Add as needed depending on vehicle axle alignment		
	<b>LABOR</b>		
	<b>Labor Op</b>	<b>Time Units</b>	<b>Description</b>
	4495 03 99	90	Vehicle alignment front + rear measure
	<i>ADD as needed:</i>		
	4488 15 99	20	Front wheel track adjust
	4493 15 99	20	Rear wheel track adjust
	4494 15 99	20	Rear wheel camber adjust
	9638 15 99	50	Camera Driver Assist System Adjust
	9163 15 99	50	Adaptive Cruise Control (ACC) System Adjust
	0150 00 00	Time stated on diagnostic protocol	GFF Operations (if necessary)
	2706 89 50	10	Connect battery charger
	9415 16 50	20	Headlight assembly adjust (if necessary)

<b>-AND-</b>	Add ONLY if rear bearing was seized in wheel bearing housing and requires replacement		
	<b>PARTS</b>		
	<b>Quantity</b>	<b>Part Number</b>	<b>Description</b>
	Up to 2.00	5Q0407621F	WHEEL HUB (if necessary)

## Customer Letter Example (USA)

<MONTH YEAR>

<CUSTOMER NAME>

<CUSTOMER ADDRESS>

<CUSTOMER CITY STATE ZIPCODE>

**This notice applies to your vehicle:** <MODEL YEAR> <BRAND> <CARLINE>, <VIN>

**NHTSA:** 22V176

**Subject: Safety Recall 42L8 – Rear Suspension Knuckles**

Dear Volkswagen Owner,

This notice is sent to you in accordance with the National Traffic and Motor Vehicle Safety Act. Volkswagen has decided that a defect, which relates to motor vehicle safety, exists in certain 2021-2022 model year Volkswagen vehicles. Our records show that you are the owner of a vehicle affected by this action.

**What is the issue?** Vehicles included in this recall may have been assembled with incorrectly manufactured rear knuckles. In the event of a rear knuckle breakage, the stability in the rear suspension will be compromised, increasing the risk of a crash.

**What will we do?** To correct this defect, your authorized Volkswagen dealer will inspect and, if necessary, replace one or both rear suspension knuckles. This work may take up to a day to complete and will be performed for you free of charge. Please keep in mind that your dealer may need additional time for the preparation of the repair, as well as to accommodate their daily workshop schedule.

**What should you do?** Please contact your authorized Volkswagen dealer without delay to schedule this recall work. To set up an appointment online, please visit [www.vw.com/find-a-dealer](http://www.vw.com/find-a-dealer).

**Lease vehicles and address changes** If you are the lessor and registered owner of the vehicle identified in this action, the law requires you to forward this letter immediately via first-class mail to the lessee within ten (10) days of receipt. If you have changed your address or sold the vehicle, please fill out the enclosed prepaid Owner Reply card and mail it to us so we can update our records.

**Reimbursement of Expenses** If you have previously paid for repairs relating to the condition described in this letter, please refer to the enclosed form that explains how to request reimbursement.

**Can we assist you further?** If your authorized Volkswagen dealer fails or is unable to complete this work free of charge within a reasonable time, or if you should have any questions about this communication, please reach out to us using your preferred method of communication at [www.vw.com/contact](http://www.vw.com/contact) or by calling us at 800-893-5298.

**Checking your vehicle for open Recalls and Service Campaigns** To check your vehicle's eligibility for repair under this or any other recall/service campaign, please visit [www.vw.com/owners/recalls](http://www.vw.com/owners/recalls) and enter your Vehicle Identification Number (VIN) into the Recall/Service Campaign Lookup tool.

If you still cannot obtain satisfaction, you may file a complaint with: The Administrator, National Highway Traffic Safety Administration, 1200 New Jersey Avenue, SE., Washington, DC 20590; or call the toll-free Vehicle Safety Hotline at 1-888-327-4236 (TTY: 1-800-424-9153); or go to <http://www.safercar.gov>.

We apologize for any inconvenience this matter may cause; however we are taking this action to help ensure your safety and continued satisfaction with your vehicle.

Sincerely,

Volkswagen Customer Protection

## Customer Letter Example (Canada)

<MONTH YEAR>

<CUSTOMER NAME>

<CUSTOMER ADDRESS>

<CUSTOMER CITY STATE ZIPCODE>

**This notice applies to your vehicle:** <MODEL YEAR> <BRAND> <CARLINE>, <VIN>

**Transport Canada Recall:** 2022-132

**Subject: Safety Recall 42L8 – Rear Suspension Knuckles**

Dear Volkswagen Owner,

This notice is sent to you in accordance with the requirements of the *Motor Vehicle Safety Act*. This is to inform you that your vehicle may contain a defect that could affect the safety of a person. Our records show that you are the owner of a vehicle affected by this action.

<b>What is the issue?</b>	Vehicles included in this recall may have been assembled with incorrectly manufactured rear knuckles. In the event of a rear knuckle breakage, the stability in the rear suspension will be compromised, increasing the risk of a crash.
<b>What will we do?</b>	To correct this defect, your authorized Volkswagen dealer will inspect and, if necessary, replace one or both rear suspension knuckles. This work may take up to a day to complete and will be performed for you free of charge. Please keep in mind that your dealer may need additional time for the preparation of the repair, as well as to accommodate their daily workshop schedule.
<b>What should you do?</b>	Please contact your authorized Volkswagen dealer without delay to schedule this recall work.
<b>Lease vehicles and address changes</b>	If you are the lessor and registered owner of the vehicle identified in this letter, you shall forward this letter (and any subsequent notice, if applicable) to the lessee within ten (10) days of receipt. If you have changed your address or sold the vehicle identified in this letter, please fill out the enclosed prepaid Owner Reply Card and mail it to us so we can update our records.
<b>Reimbursement of Expenses</b>	If you have previously paid for repairs relating to the condition described in this letter, please refer to the enclosed form that explains how to request reimbursement.
<b>Can we assist you further?</b>	If your authorized Volkswagen dealer fails or is unable to complete this work free of charge within a reasonable time, please contact Customer Relations, Monday through Friday from 8AM to 8PM EST by phone at 1-800-822-8987 or via our "Contact Us" page at <a href="http://www.vw.ca">www.vw.ca</a> .

We apologize for any inconvenience this matter may cause; however we are taking this action to help ensure your safety and continued satisfaction with your vehicle.

Sincerely,

Volkswagen Customer Protection



## Repair Overview



- Inspect rear wheel bearing housings and replace, if necessary.

### NOTE

- These repair instructions may differ from the labor operations and labor times listed in ELSA.
- Damages resulting from improper repair or failure to follow these work instructions are the dealer's responsibility and are not eligible for reimbursement under this action.
- This procedure must be read in its entirety prior to performing the repair.
- Due to variations in vehicle equipment and options, the steps/illustrations in this work procedure may not identically match all affected vehicles.
- Diagnosis and repair of pre-existing conditions in the vehicle are not covered under this action.
- When working during extreme temperatures, it is recommended that the vehicle be allowed to acclimate inside the shop to avoid temperature-related component damage/breakage.

## Required Tools

	<p>Socket - AF 24 mm -T10361A- (or equivalent)</p>		<p>Engine and Gearbox Jack -VAS6931- (or equivalent)</p>
	<p>Tensioning Strap -T10038- (or equivalent)</p>		<p>Spring Compressor Kit -VAG1752- (or equivalent)</p>
	<p>Drive Shaft Remover Kit -T10520A- (if necessary)</p>		

The repair information in this document is intended for use only by skilled technicians who have the proper tools, equipment and training to correctly and safely maintain your vehicle. These procedures are not intended to be attempted by "do-it-yourselfers," and you should not assume this document applies to your vehicle, or that your vehicle has the condition described. To determine whether this information applies, contact an authorized Volkswagen dealer. ©2022 Volkswagen Group of America, Inc. and Volkswagen Canada. All Rights Reserved.

## Repair Instruction


### Section A - Check for Previous Repair

#### TIP

If Campaign Completion label is present, no further work is required.

Applicable criteria ID(s)	Campaign/Action Status
01 	Open 

**EXAMPLE**

Campaign/Action	Start	Designation
	2015-11-10	W-SERV_ACT -
	2018-12-13	RECALL -
	2017-05-16	A-RECALL -

**EXAMPLE**

- Enter the VIN in Elsa and proceed to the “Campaign/Action” screen.

#### TIP

On the date of repair, print this screen and keep a copy with the repair order.

- Confirm the Campaign/Action is open <arrow 1>. If the status is closed, no further work is required.
- Note the Applicable Criteria ID <arrow 2> for use in determining the correct work to be done and corresponding parts associated.

#### **CRITICAL REPAIR STEP**

 **STOP!** 

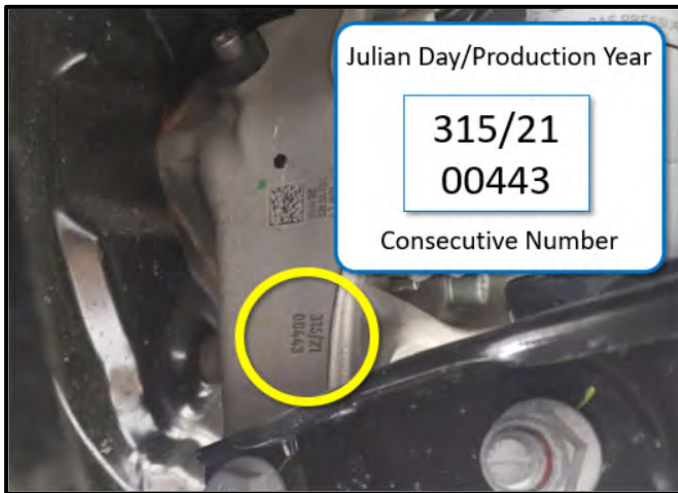
If multiple software update Campaign/Actions are open, they must be performed in order of the Start date <arrow 3>. The oldest should be performed first.

- **All Safety Recalls must be completed prior to completing this campaign.**
- **Proceed to Section B.**

## Section B – Rear Wheel Bearing Housing Inspection



### EXAMPLE:



Julian Day/Production Year

315/21  
00443

Consecutive Number

- Both rear wheel bearing housings must be inspected.
- Check the build date on each wheel bearing housing from the rear of the vehicle.

- The wheel bearing build date is read in the example shown.
- The build dates vary by model.

### **TIGUAN AFFECTED BUILD DATES**

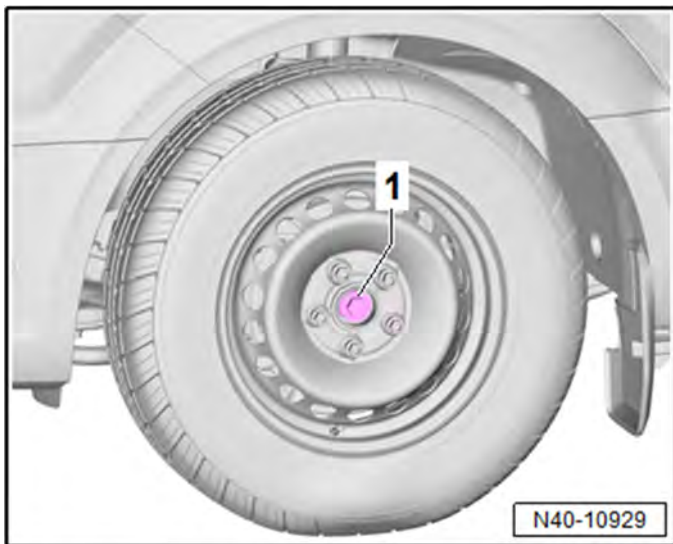
<b>Julian Production Day</b>	<b>Production Year</b>	<b>Consecutive number</b>
141	21	291 to 336
144	21	66 to 134
216	21	203 to 329

### **TAOS AFFECTED BUILD DATES**

<b>Julian Production Day</b>	<b>Production Year</b>	<b>Consecutive number</b>
188	21	300 to 321
231	21	196 to 237

- If the build date of the wheel bearing housing matches the chart of affected build dates:
  - The wheel bearing housing must be replaced.
  - See Section C for wheel bearing housing replacement.
- If the build date does not match the chart:
  - The wheel bearing housing is OK.
  - Proceed to Section D if both wheel bearing housings are OK.

## Section C – Rear Wheel Bearing Housing Replacement



Remove rear axle bolt:

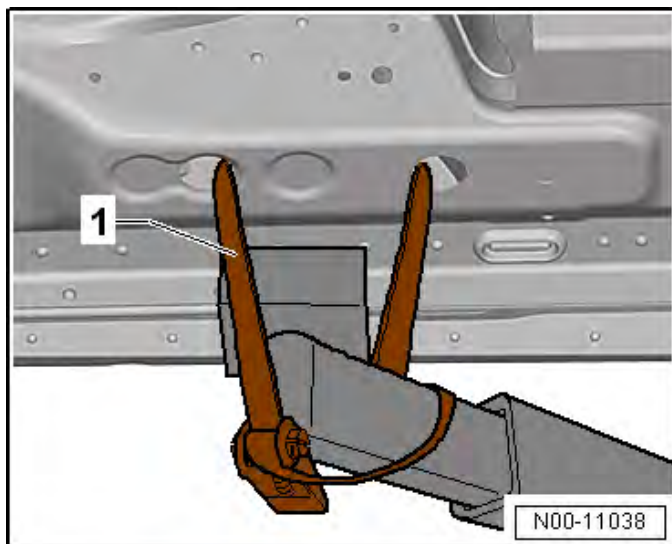
### **CAUTION**

**Damage to the wheel bearing from the vehicle weight with the wheel-side drive axle threaded connection loose.**

Do not load the wheel bearing if the wheel-side drive axle threaded connection is loose.

Vehicles without drive axle may not be moved when resting on its wheels. Otherwise the wheel bearing will be damaged. If the vehicle has to be moved, pay attention to the following: install the outer joint. Tighten the outer joint to 120 Nm.

- With the vehicle still resting on its wheels loosen the bolt <1> a maximum 90°. Otherwise the wheel bearing will be pre-damaged.
- Lift the vehicle just enough so that the wheels are hanging free.
- Press the brake pedal. A second technician will be needed.
- Remove the bolt <1>.



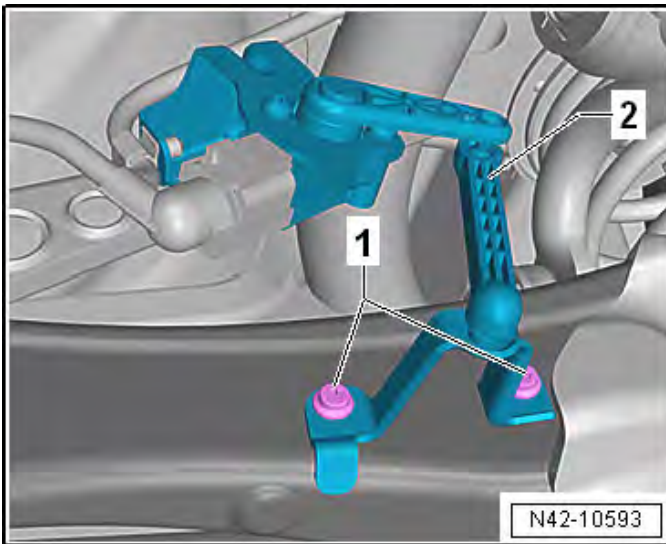
Secure vehicle on the hoist:

### **WARNING**

**Vehicle can slip off the hoist.**

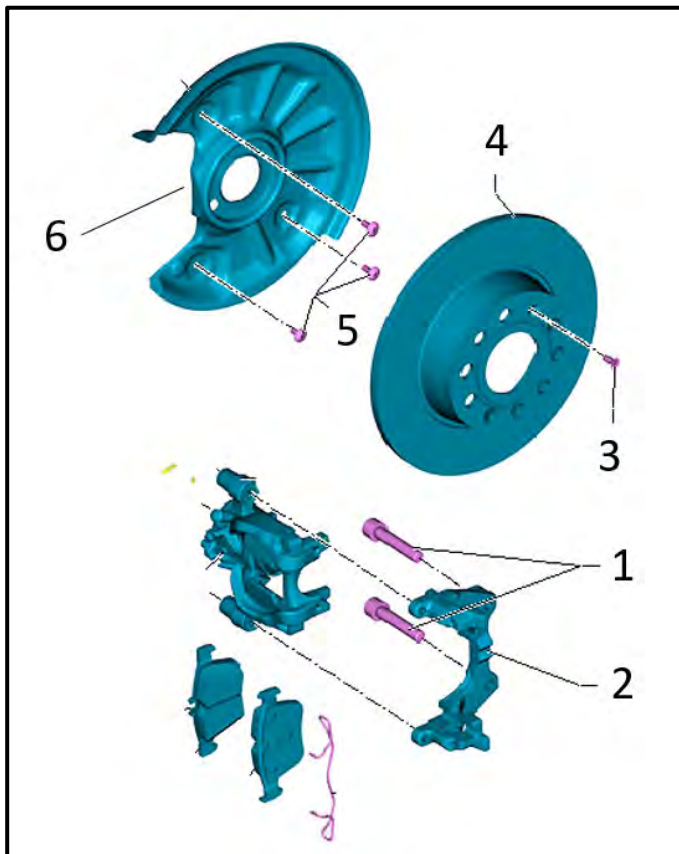
Secure the vehicle as described in the procedure on the hoist.

- Secure vehicle so it does not tip off the hoist using -T10038- <1> or equivalent.
- Remove the rear wheel.



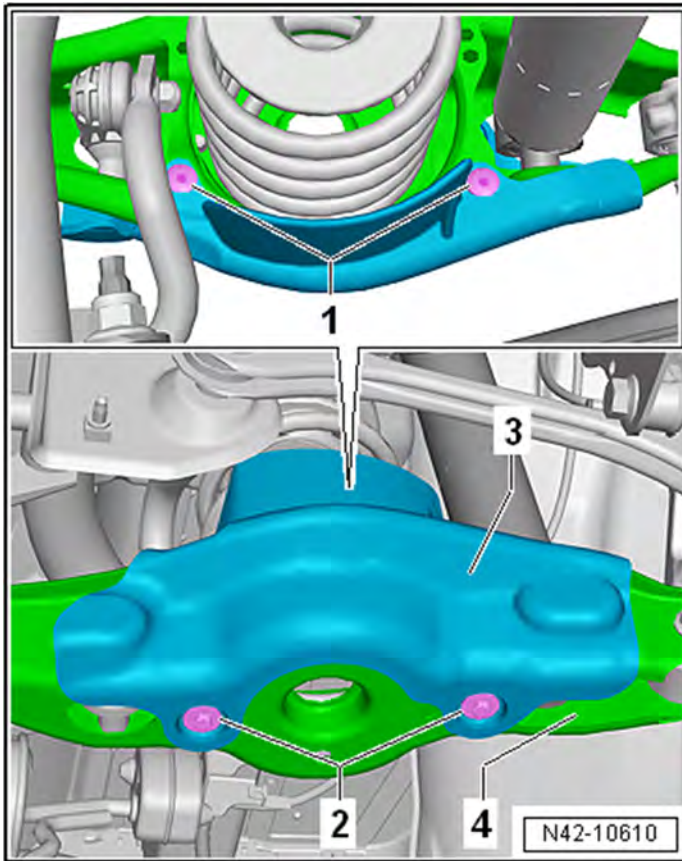
**Disconnect level control system sensor (if equipped):**

- Remove the bolts <1>.
- Remove the Left Rear Level Control System Sensor -G76- <2> bracket from the lower control arm.



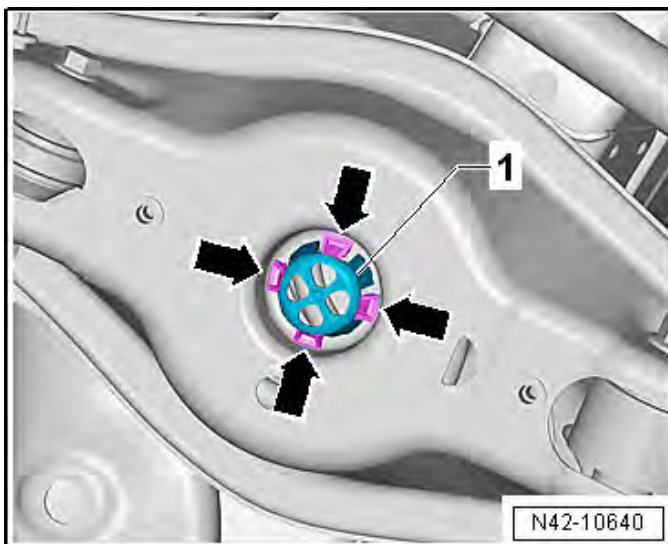
**Remove rear brake components:**

- Disconnect the connector to the electronic parking brake motor.
- Remove the bolts <1> for the brake caliper carrier <2>.
- Remove the brake caliper carrier <2> with caliper and brake hose attached.
- Secure assembly with wire so that the weight of the brake caliper does not stress or damage the brake hose.
- Remove bolt <3> and brake rotor <4>.



### Remove stone chip protection (if equipped):

- Remove the expanding rivets <1>.
- Remove the bolts <2> for the stone chip protection <3>.



### Remove assembly aid and position the Engine and Gearbox Jack:

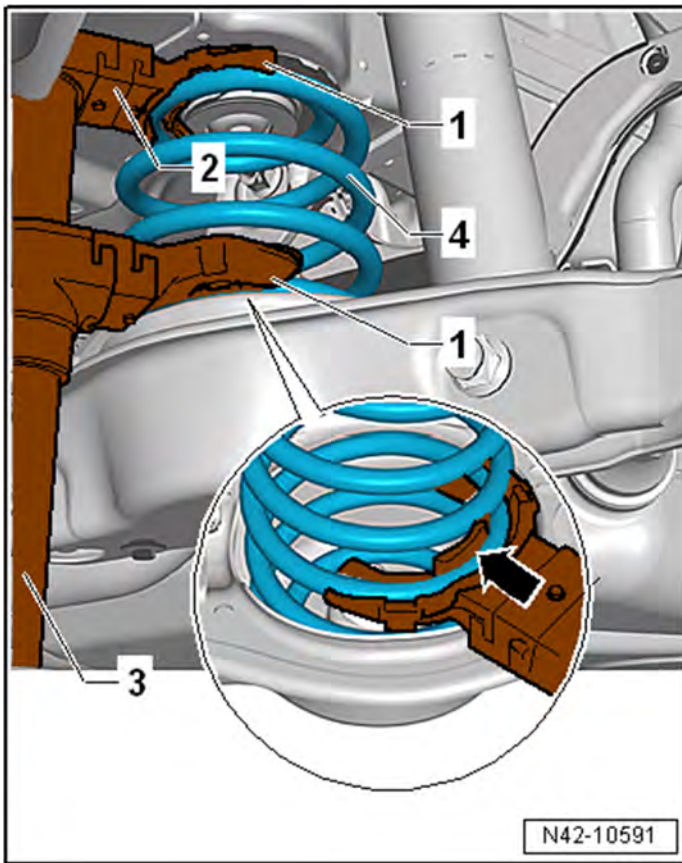
- Press the tabs <arrows> on the assembly aid <1> inward.
- Remove the assembly aid <1> upward.

#### ! NOTE

The assembly aid is destroyed during removal. It does not have to be reinstalled.

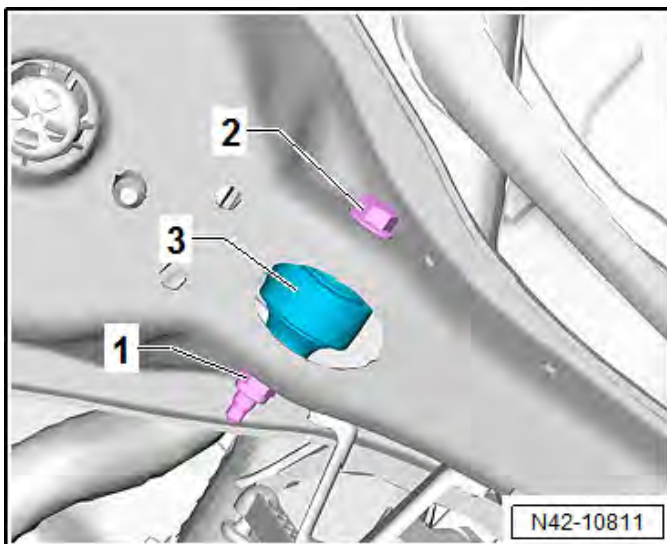
- Position the Engine and Gearbox Jack under the transverse link and push lightly upward.





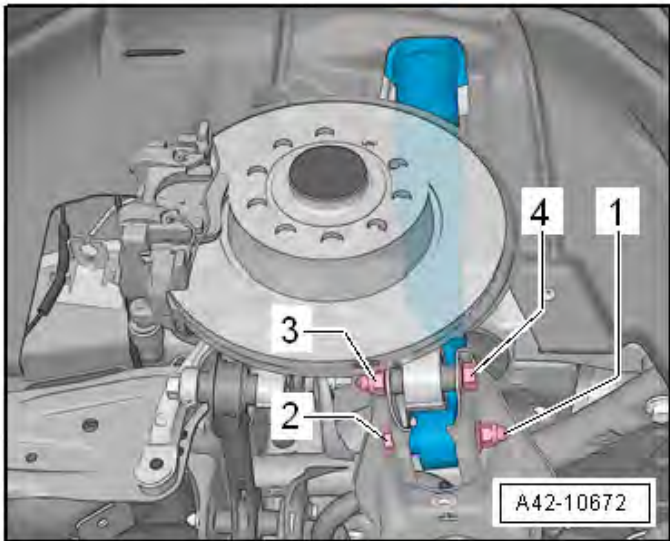
### Tension rear spring:

- Insert the Spring Compressor <3>.
  1. Spring Compressor Kit - Spring Retainer with Inserts -VAG1752/3A-
  2. Spring Compressor Kit - Adapter Blocks -VAG1752/9-
  3. Spring Compressor Kit - Spring Tensioner -VAG1752/1-
  4. Spring
- Tension the spring.



### Disconnect stabilizer link from lower control arm:

- Remove nut <1> and bolt <2> from the stabilizer link <3>.

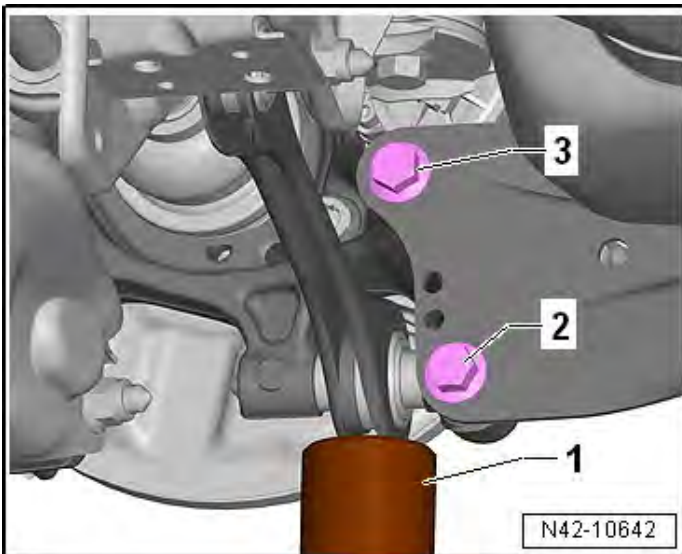


**Disconnect wheel bearing housing and lower shock bolts from lower control arm and remove rear spring:**

- Remove lower shock nut <1> and bolt <2>.
- Remove wheel bearing housing nut <3> and bolt <4>.
- Slowly lower the Engine and Gearbox Jack under the lower transverse link, until the Spring Compressor with the tensioned spring can be removed.

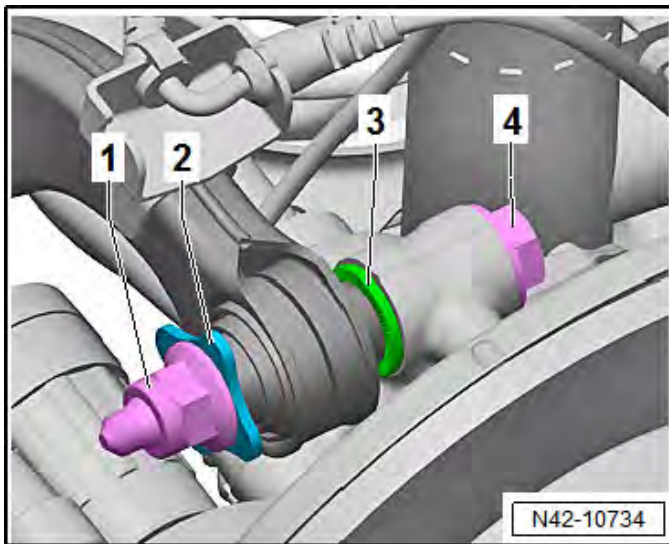
**CAUTION**

Hold the Spring Compressor Kit - Spring Tensioner -VAG1752/1- with the spring tensioned (risk of accident).

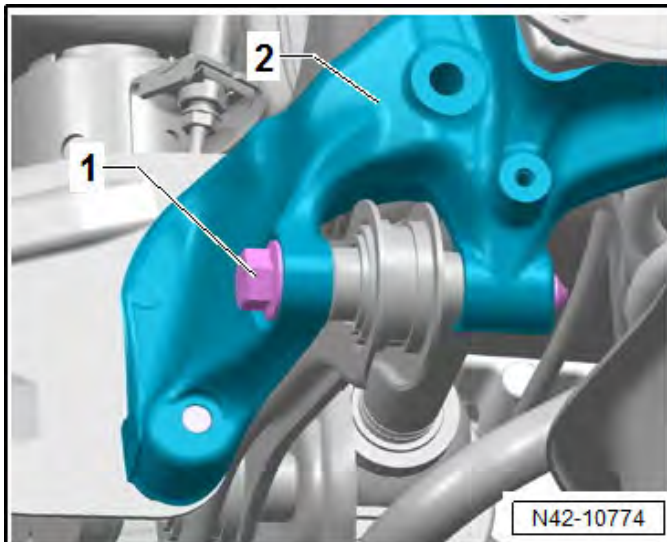


**Remove wheel bearing housing:**

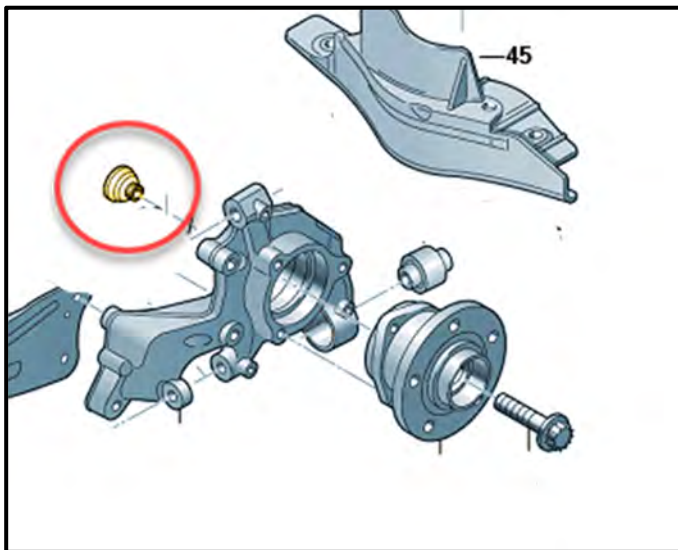
- Position the Engine and Gearbox Jack <1> under the tie rod and push slightly upward.
- Remove the bolts <2> and <3> one after the other.
- Remove the Engine and Gearbox Jack <1> from under the tie rod.



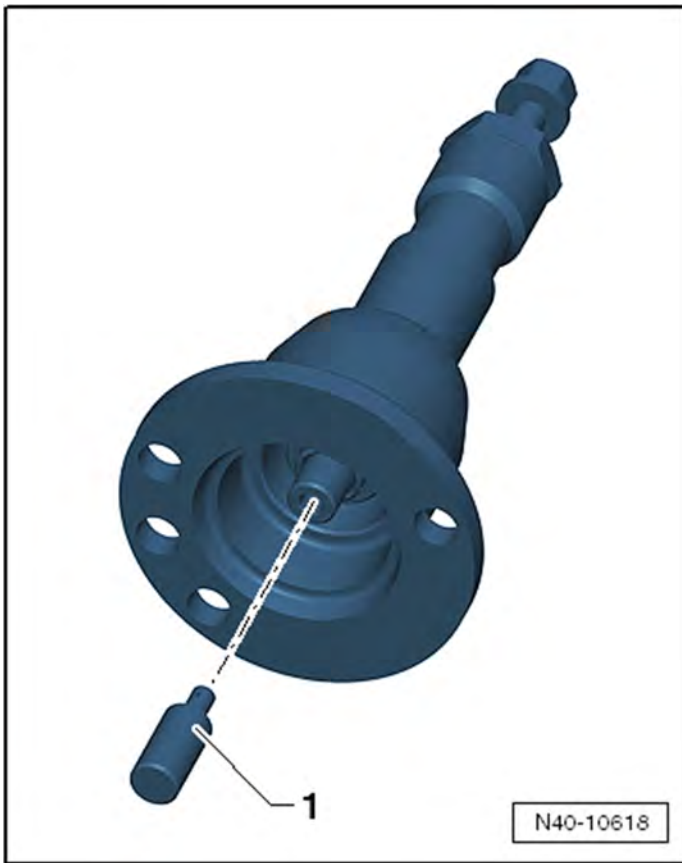
- Unscrew the nut <1> and remove the washer <2>.
- Remove the bolt <4>.
- Remove the washer <3>.



- Remove the bolt <1>.
- Remove the wheel bearing housing <2>.

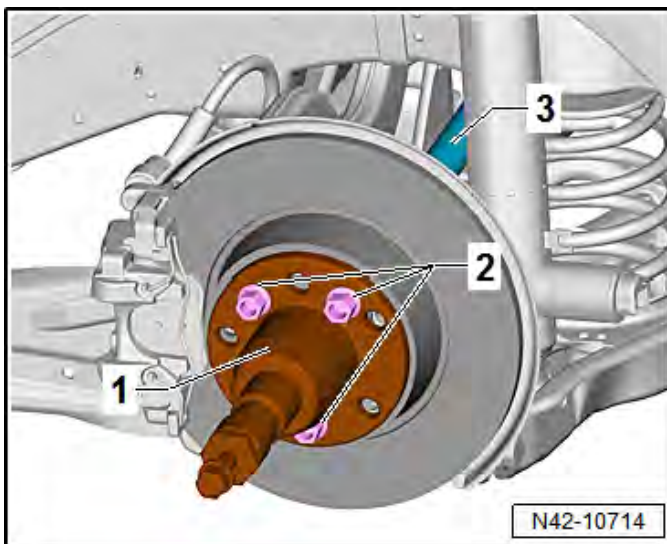


**NOTE**  
FWD Tiguan models will have a “Tensioning Rail” <circle> installed in place of the drive axle.

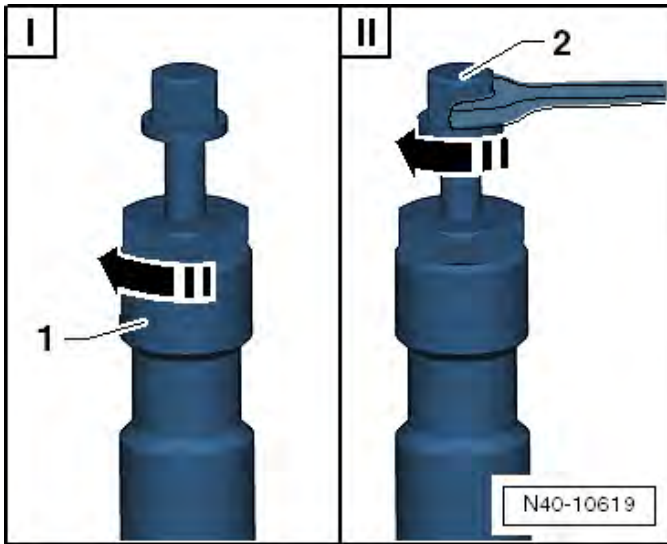


If the drive axle cannot be pulled out of the wheel bearing, then the drive axle can be pushed out of the wheel bearing using the Drive Shaft Remover -T10520A-.

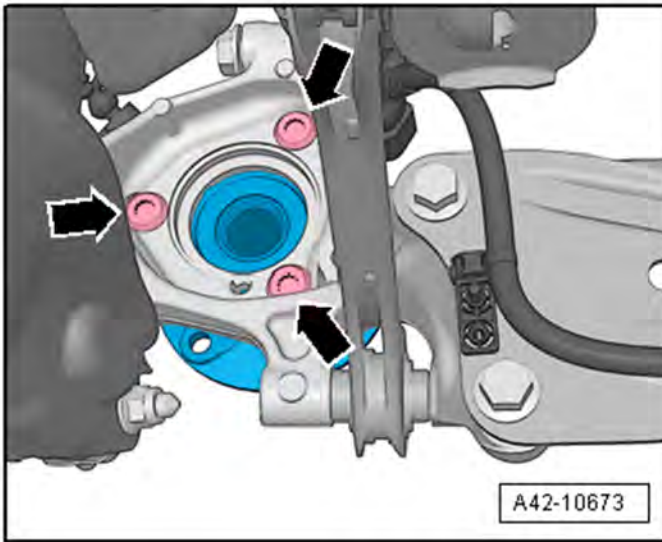
- Before using the Drive Shaft Remover -T10520A-, make sure that the thrust piece <1> is installed.



- Attach Drive Shaft Remover Kit -T10520A- <1> to the wheel hub using three wheel bolts <2> (brake rotor may have to be reinstalled).



- Follow the specified sequence exactly.
- I - Tighten the knurled nut <1> hand-tight.
- II - Only turn the bolt <2> using a wrench. Remove the drive axle using the Drive Shaft Remover -T10520A-.

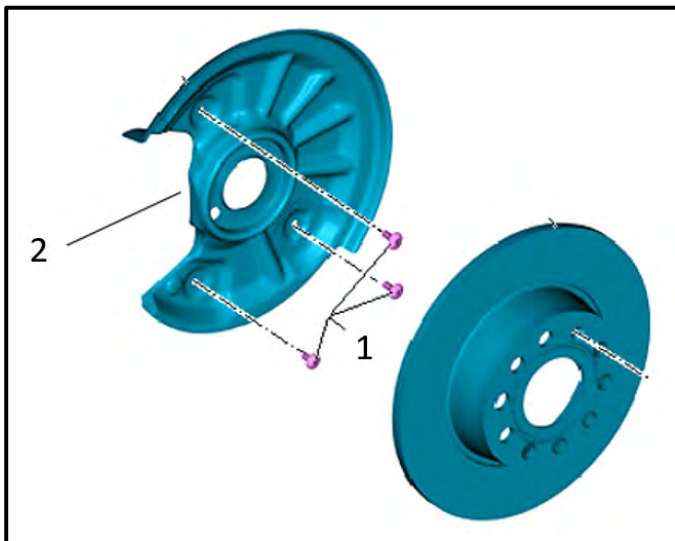


**Remove wheel bearing:**

- Remove the bolts <arrows>.
- Remove the wheel bearing unit from the wheel bearing housing.

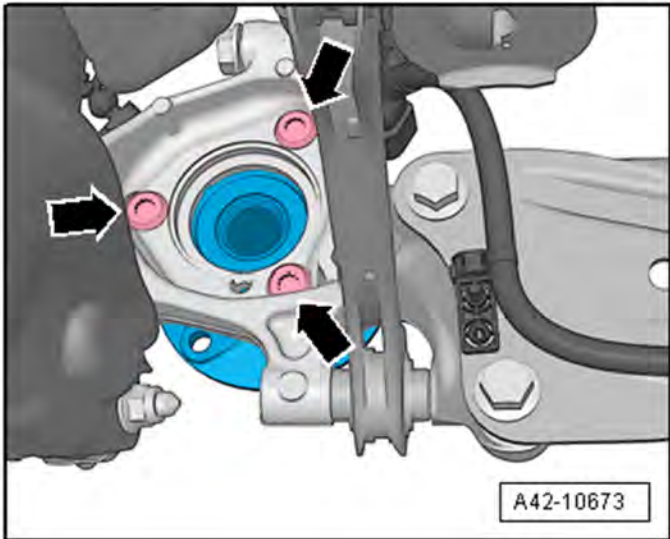
**NOTE**

If the wheel bearing is seized to the wheel bearing housing, the wheel bearing should be replaced.



**Transfer backing plate:**

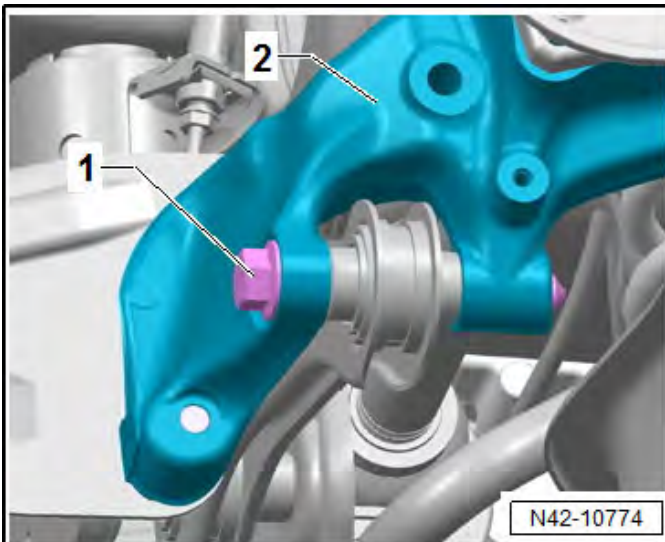
- Transfer backing plate <2> to new wheel bearing housing.
- Torque backing plate bolts <1> to 12 Nm.



**Install wheel bearing into new wheel bearing housing:**

- Installation is the reverse order of removal.
- Ensure the wheel bearing and wheel bearing housing are free of dirt and debris.
- Replace bolts <arrows> and torque to 70 Nm + 90°.

Part Number	Part Description
SEE ETKA	Wheel bearing housing
WHT-000-237-C	Bolts – wheel bearing to housing (x3)



**Install new wheel bearing housing:**

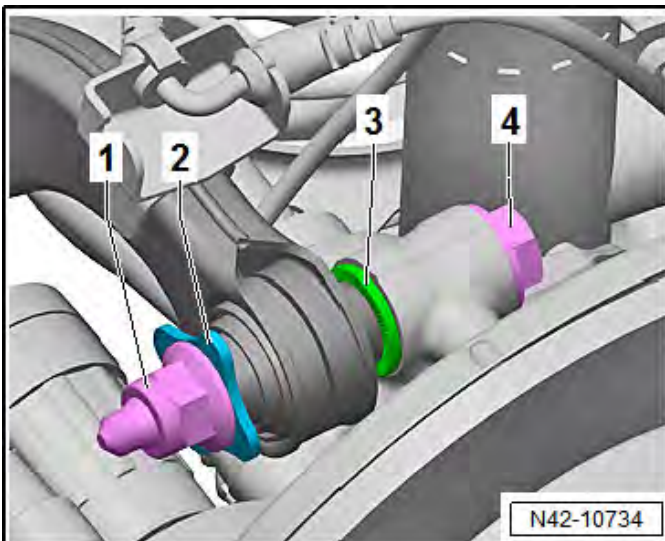
**⚠ CRITICAL REPAIR STEP**



Complete the installation of the wheel bearing housing in the exact order specified.

- Insert the wheel bearing housing <2>.
- Insert new bolt <1> and **tighten hand-tight, but do not torque.**

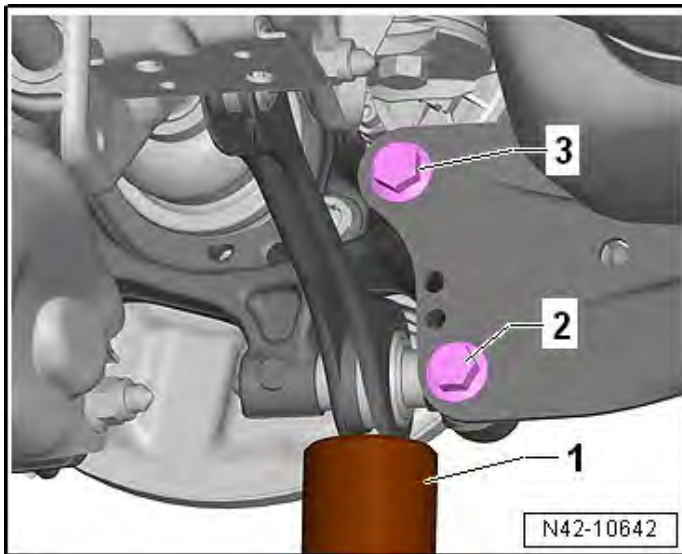
Part Number	Part Description
N -106-403-01	Bolt



- Replace bolt <4> and nut <1>.
- Insert new bolt <4> with the washer <3>.
- Slide on the washer <2>.
- Tighten new nut <1> **hand-tight, but do not torque.**

Part Number	Part Description
N -912-013-01	Bolt <4>
N -104-018-01	Nut <1>

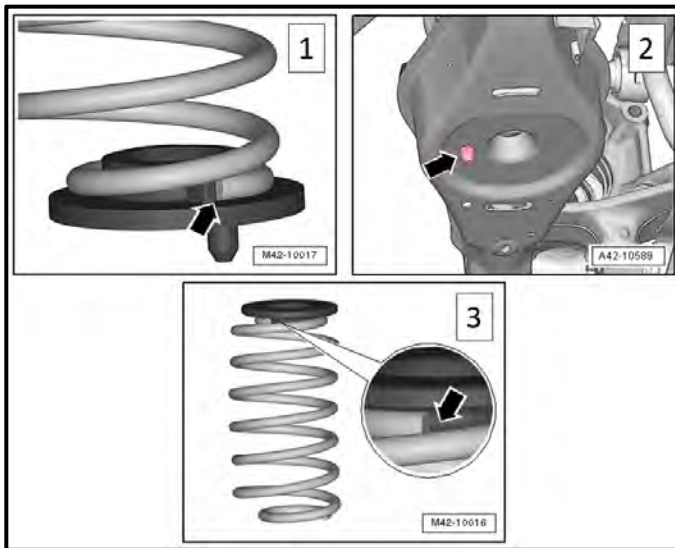
The repair information in this document is intended for use only by skilled technicians who have the proper tools, equipment and training to correctly and safely maintain your vehicle. These procedures are not intended to be attempted by "do-it-yourselfers," and you should not assume this document applies to your vehicle, or that your vehicle has the condition described. To determine whether this information applies, contact an authorized Volkswagen dealer. ©2022 Volkswagen Group of America, Inc. and Volkswagen Canada. All Rights Reserved.



- Replace bolts <2> and <3>.
- Position the Engine and Gearbox Jack <1> under the tie rod and push slightly upward.
- Install new bolts <2> and <3> **hand-tight, but do not torque.**

Part Number	Part Description
WHT-005-749	Bolt - M14 x45 mm
N -106-284-01	Bolt - M12 x40 mm

- Remove the Engine and Gearbox Jack <1> from under the tie rod.

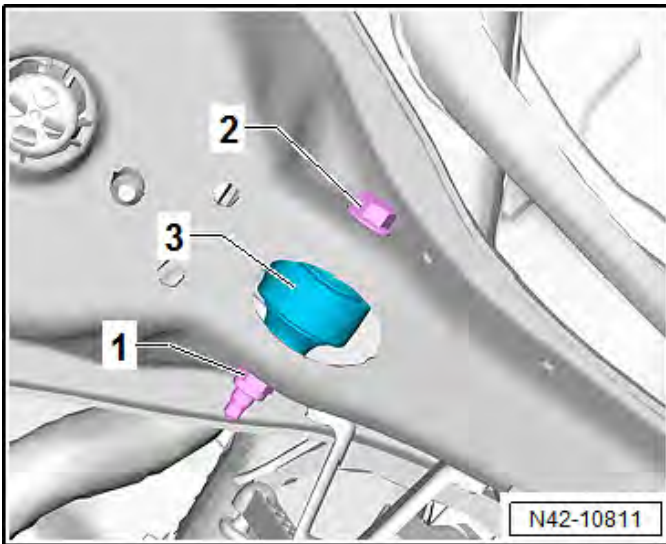


### Reinstall spring:

#### ! NOTE

The lower spring support may stay attached to the lower control arm. If it does, ensure the lower spring support is transferred to the spring.

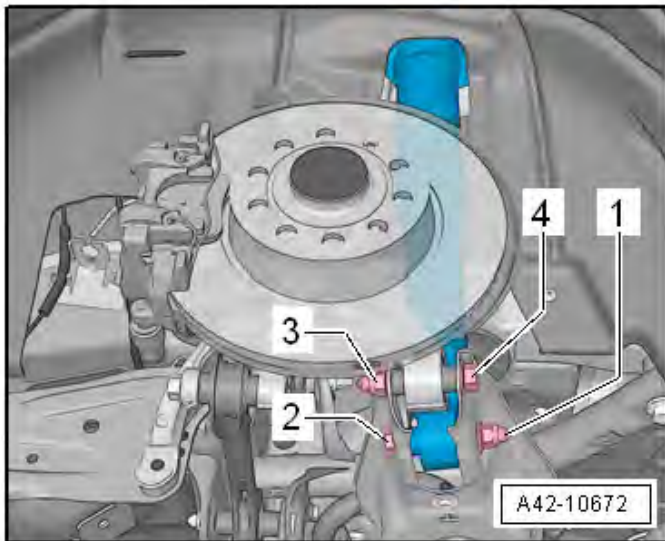
- Installation is the reverse order of removal.
- Note the following when installing the spring:
  1. The end of the spring coil <arrow> must rest against the stop on the lower spring support.
  2. The lower spring support pin <arrow> must go through the hole in the lower control arm.
  3. The upper spring support must be fully seated on the upper spring coil <arrow>.



**Connecting stabilizer link fasteners to lower control arm:**

- Replace bolt <2> and nut <1>.
- Tighten new nut <1> and bolt <2> **hand-tight**, but do not torque.

Part Number	Part Description
N -107-765-01	Bolt - Stabilizer link to control arm
N -901-838-04	Nut - Stabilizer link to control arm



**Connect wheel bearing housing and shock fasteners to lower control arm:**

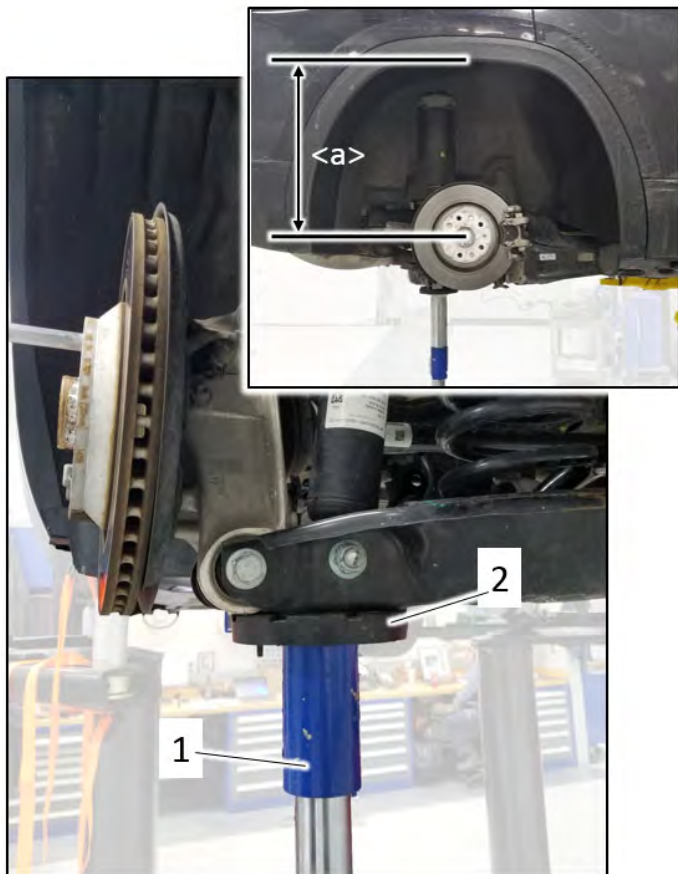
- Tighten new lower shock bolt <2> and nut <1> **hand-tight**, but do not torque.

Part Number	Part Description
N -108-834-01	Bolt - Shock to control arm <2>
N -101-064-02	Nut - Shock to control arm <1>

- Tighten new wheel bearing housing bolt <4> and nut <3> **hand-tight**, but do not torque.

Part Number	Part Description
N -106-405-01	Bolt - Wheel bearing housing to control arm <4>
N -101-064-02	Nut - Wheel bearing housing to control arm <3>





### Raise suspension in curb weight position:

#### **⚠ WARNING**

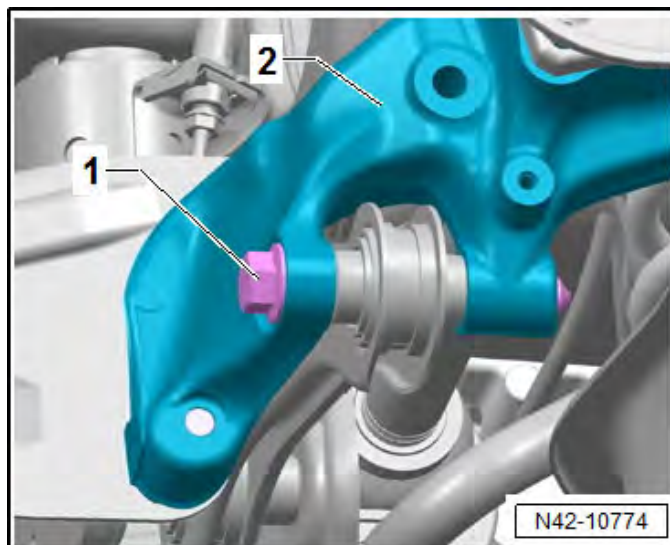
When suspension is lifted in curb weight position, the vehicle must be secured on the hoist to prevent it from tipping off the hoist.

- Position the Engine and Gearbox Jack <2> under the lower control arm.
- Raise the suspension with the Engine and Gearbox Jack until dimension <a> is achieved.

Model	Suspension Type	Dimension <a>
Tiguan	ALL	458.5 ± 10 mm
Taos	AWD	455 ± 10 mm

#### **⚠ CAUTION**

- All bolts on suspension components with bonded rubber bushings must always be tightened in curb weight position (unloaded condition).
- Bonded rubber bushings have a limited range of rotation.
- Axle components with bonded rubber bushings must be brought into the position they will be in when driving before they are tightened (curb weight position). Otherwise, the bonded rubber bushing will have tension, which will reduce the service life.

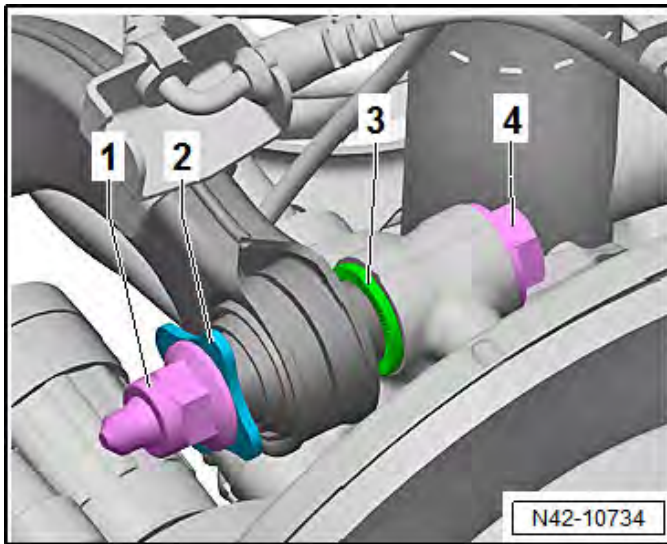


### Torque the following fasteners in curb weight position:

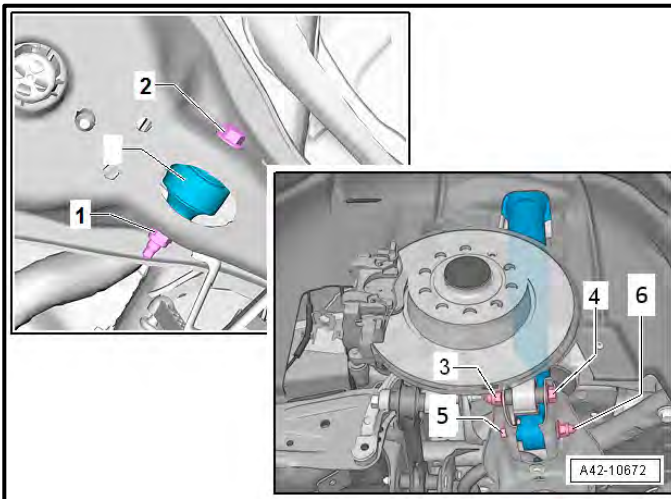
#### **⚠ WARNING**

When suspension is lifted in curb weight position, the vehicle must be secured on the hoist to prevent it from tipping off the hoist.

- Torque bolt <1> to 70 Nm + 180° in curb weight position.

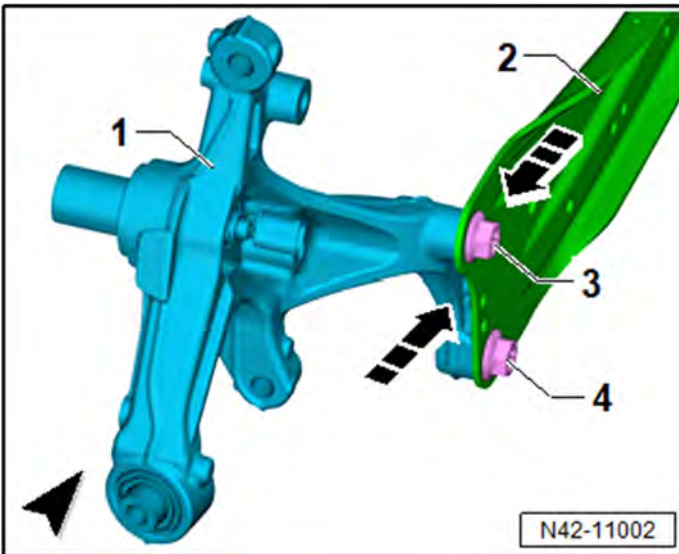


- Counter-hold bolt <4> and torque nut <1> to 130 Nm + 180° in curb weight position.



- Counter-hold bolts and torque fasteners as follows in curb weight position:

Connection	Position	Torque value
Stabilizer link	<1 and 2>	20 Nm +180°
Wheel bearing housing	<3 and 4>	70 Nm +180°
Shock	<5 and 6>	70 Nm +180°

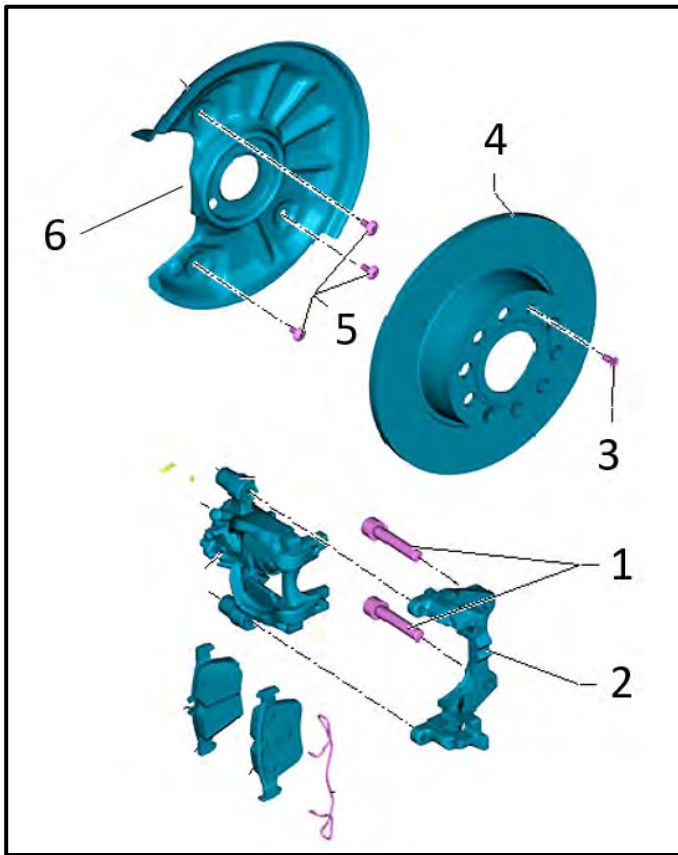


#### Torque trailing arm to wheel bearing housing bolts:

#### NOTE

Threaded connection of trailing link/wheel bearing housing <3> and <4> must only be tightened when all other components (spring and shock absorber always) of the respective wheel suspension have been already assembled. To tighten, suspension must be unloaded. Only now do the trailing arm <2> and wheel bearing housing <1> move into the position required <arrows>.

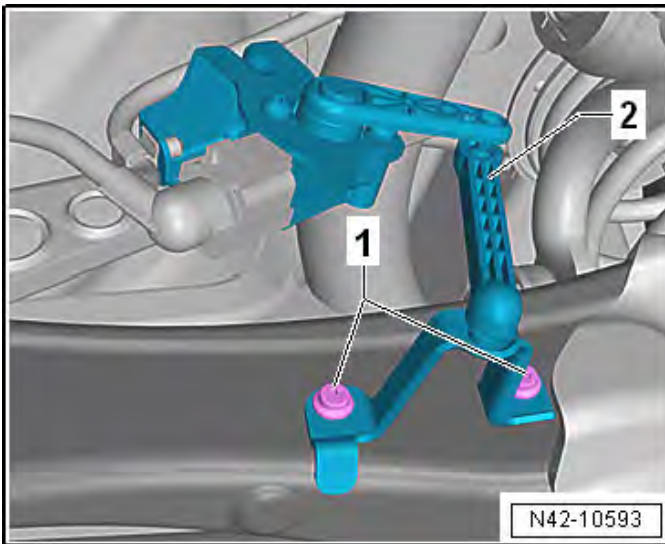
- Remove the Engine and Gearbox Jack from under the tie rod.
- Torque bolt <3> and <4> to 70 Nm + 90°.



**Reassemble brake components in the reverse order of removal:**

- Reconnect connectors.
- Torque bolt for brake rotor <3> to 8 Nm.
- Replace bolts <1> for brake caliper carrier <2> and torque to 90 Nm + 90°.

Part Number	Part Description
N -911-689-01	Bolt <1> (x2)



#### Final assembly steps:

- Connect level control system sensor (if equipped):
  - Ensure the sensor arm <2> does not bind.
  - The level control system sensor lever must point toward vehicle exterior.
  - Install the bolts <1> and torque to 5 Nm.
- Install wheel and torque to 120 Nm.
- Remove any tools that were used to secure the vehicle on the hoist.
- Install sealing plugs.

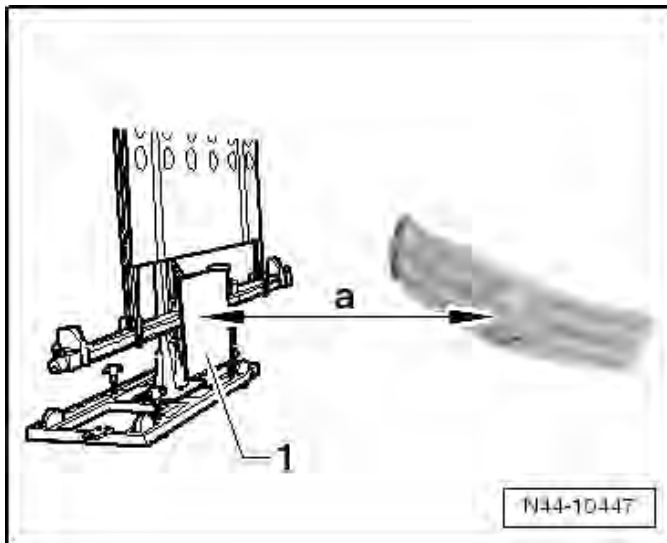
#### Adjust front headlights and perform headlight basic settings (vehicles with Adaptive Front Lighting System only):

- Refer to the ELSA Repair Manual: *Maintenance > Headlamp Adjustment, Checking LED Headlamps with Adaptive Front Lighting System*



#### Perform four-wheel vehicle alignment:

- Follow the ELSA Repair Manual and wheel aligner equipment directions as needed.
- Was the rear axle toe adjusted?
  - If YES, proceed to the next step.
  - If NO, Proceed to Section D.



#### Calibrate driver assist systems depending on vehicle equipment:

- Calibrate *Adaptive Cruise Control (ACC)* only if rear axle toe required adjustment.
- Calibrate *Driver Assistance Systems Front Camera* only if rear axle toe required adjustment.
- Follow the ELSA repair manual procedures, GFF test plan directions and wheel aligner software directions as needed.

**Proceed to Section D**

## Section D – Campaign Completion Label

### Install Campaign Completion Label

- Fill out and affix Campaign Completion Label, part number CAMP 010 000, next to the vehicle emission control information label.



#### TIP

Ensure Campaign Completion Label does not cover any existing label(s).

### Proceed to Section E

## Section E - Parts Return/Disposal

Properly store (retain), destroy or dispose of removed parts in accordance with all state/province and local requirements, unless otherwise indicated and/or requested through the Warranty Parts Portal (WPP) for U.S. and the Part Destruction and Core Disposition Report for Canada.