

SAFETY RECALL

Volvo Trucks North America

Greensboro, NC USA

VOLVO

Date	Number	Release	Page
03. 2022	RVXX2201	01	1 (5)

Sleeper Cabinet Hardware VN

RECALL INFORMATION

(March 2022)

Volvo Trucks has determined that certain model year 2022-2023 trucks may have been built with incorrect cabinet mounting hardware. On affected population the mounting bolts used to secure the cabinets to the wall may not have received a necessary washer. In the event of an accident, the sleeper cabinets may pull free from the cab structure and potentially cause injury.

Volvo Trucks has not received any complaints or reports of injury; therefore, Volvo considers this as a proactive measure to protect the public and Volvo's customers from the potential risk associated with this defect.

To ensure that these vehicles meet Volvo's stringent quality requirements, follow the instructions outlined below to inspect the securing hardware and replacement as necessary.

VEHICLES AFFECTED

Certain Volvo North America vehicles manufactured between December 13th, 2021, and January 12th, 2022.

VEHICLE QUANTITY

There are 227 vehicles affected by this recall (209 U.S., 18 Canada).

Parts

Order parts through normal process as needed.

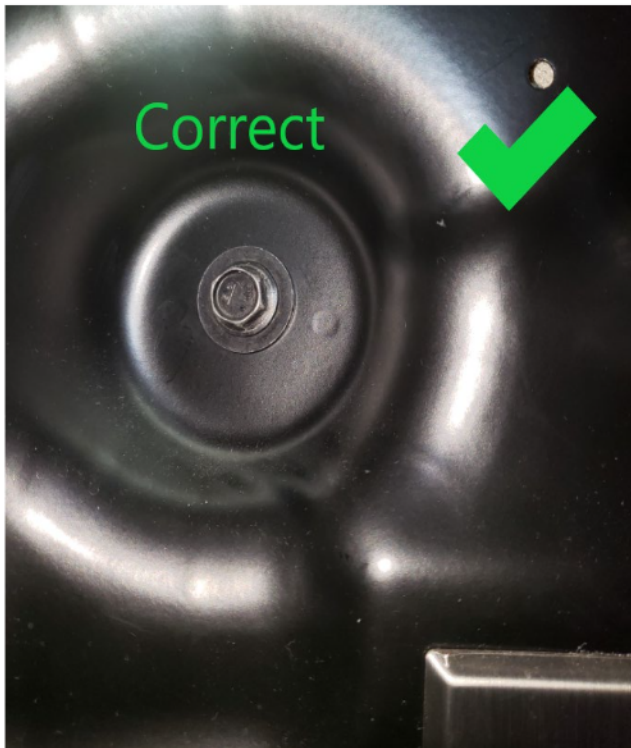
Part Number	Part description	Quantity
984736	Bolt	As Needed
994848	Washer	As Needed

Repair Instructions

1. Secure Vehicle for service.
2. Inspect all four cabinets mounting hardware, per inspection process and cabinet configurations below.
3. Replace all missing or damage cabinet mounting hardware as necessary.
4. Release vehicle for service.

Hardware Inspection

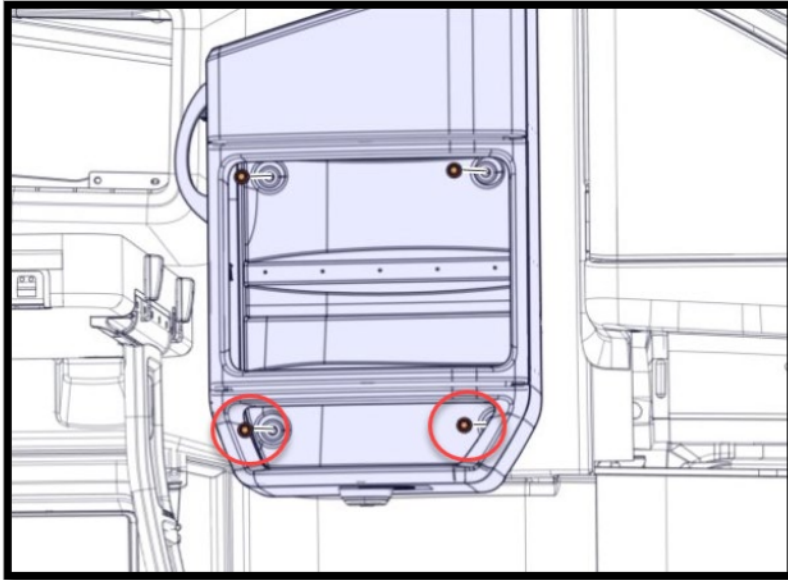
Visually inspect all cabinet mounting hardware for securing screws and washers (as seen below). Replace any missing or damaged hardware and torque to spec.



Tightening torque	
Screw	M8
	24 ±4 Nm
	(18 ±3 lb-ft)

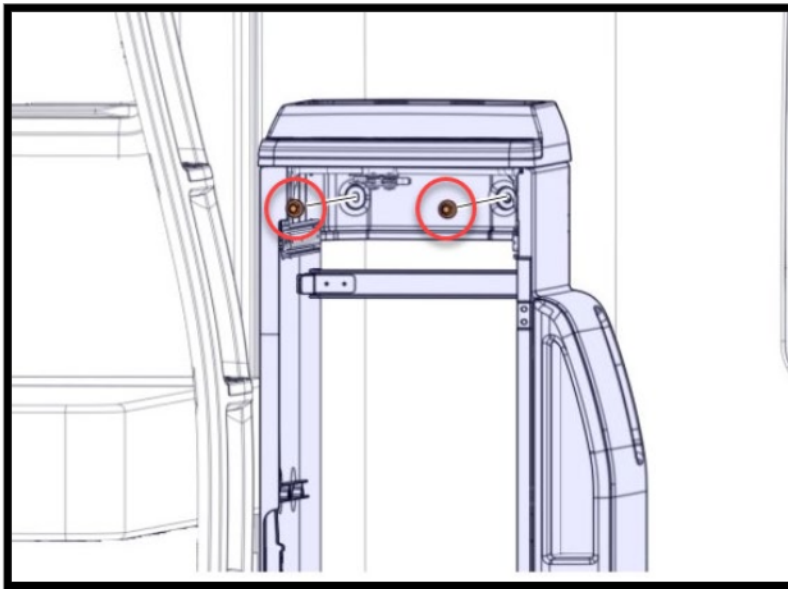
Upper Left Cabinet

Contains two screws, at the bottom of the cabinet, to be inspected and replaced as necessary.



Lower Left Cabinet

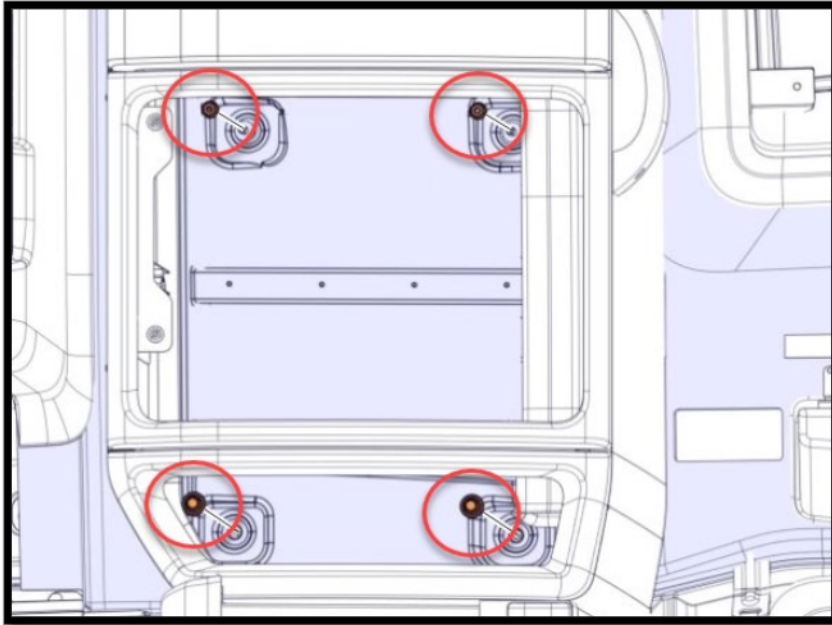
Contains two screws, near the top of the cabinet, to be inspected and replaced as necessary.



NOTE: Depending on configuration of this cabinet, removal of drawer and/or sliding storage tray may be required to access mounting hardware. It is NOT necessary to remove refrigerator.

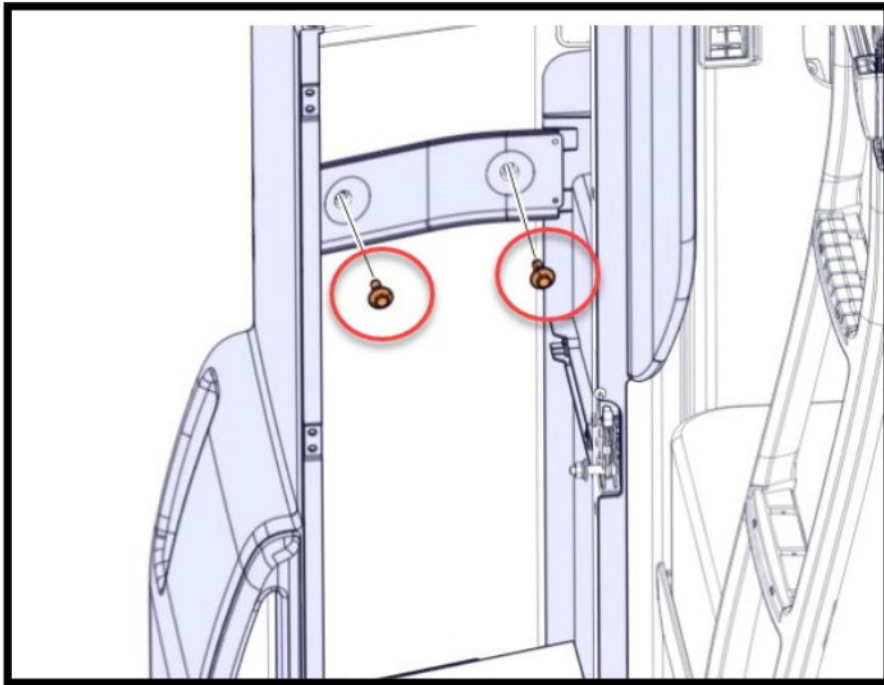
Upper Right Cabinet

Contains 4 screws, near the corners of the cabinet, to be inspected and replaced as necessary.



Lower Right Cabinet

Contains 2 screws, near the middle of the cabinet, to be inspected and replaced as necessary.



REIMBURSEMENT

This repair is covered by an authorized Safety Recall. Reimbursement is obtained through the normal claim handling process.	
	UCHP Reimbursement
Claim Type (used only when uploading from the Dealer Business System)	40
Recall Status	
Vehicle repaired per instructions	1-Modified per instructions
Labor Codes	
Primary Labor Code: 1720-16-09-01 Campaign, General X 10	SRT (0.1 x 10) 1.0 hrs.
Causal Part	995533
Authorization Number	C6640

Note: Dealers are to perform Safety Recall Campaigns on all subject vehicles at no charge to the vehicle owner regardless of mileage, age of vehicle or ownership (original purchaser or subsequent purchasers). Whenever vehicles are subject to a Safety Recall are brought to your dealership for service, or taken into your dealership vehicle inventory, it is strongly recommended that every effort be made to perform the recall correction before the vehicle is sold or released to the owner.