



Safety Recall Action Notice 593 Issue 1 - 02.2022

Subject: Replace Side Stand			
Bulletin Number	Models Affected	VIN Range	Markets Affected
593	Trident	From VIN AF8681 to VIN AT4999	All Markets Except China

Background Information

Dealers are requested to replace the side stand as described in the procedure below.

Notice

STOP DELIVERY OF AFFECTED MOTORCYCLES IMMEDIATELY.

DO NOT deliver a motorcycle affected by this Safety Recall Action Notice to a customer until you have completed, or confirmed completion of, the procedures described in this Safety Recall Action Notice.

Delivering a motorcycle subject to an outstanding Safety Recall Action Notice may contravene local or national laws in your market, territory or country.

Triumph subsidiaries and distributors must instigate a Safety Recall Action in their country in accordance with the national recall code of practice. For vehicles in distributor or dealer stock the safety recall MUST be actioned before delivery to the customer.

Identification of Affected Motorcycles

Trident models from VIN AF8681 to VIN AT4999.

Note:

- Some affected motorcycles listed in the VIN range will have been modified and repaired by Triumph prior to their release from the factory.
- Unmodified motorcycles can be identified by checking the 'VIN Enquiry' on www.triumphonline.net.

Warranty Claim Instructions

Bulletin Number	Fault Code	Repair Code	Description	Repair Time Allowance
593	020840993	99593	Replace side stand	0.09 hours

Genuine Parts Information

Bulletin Number	Part Number	Description	Quantity
593	T2086616	Side stand Kit Kit contents: <ul style="list-style-type: none">• Side stand x 1• Circlip x 1	1

Parts Ordering Instructions

For Triumph Subsidiary and Overseas Distributor dealers using Triumph Warranty On-Line with Parts Auto Ordering Flag switched on: Order all repair parts by submitting a New Prior through the Warranty On-Line system. Entering the above repair code in a New Prior will automatically add the parts required and labour times for this Safety Recall Action Notice.

For Overseas Distributor dealers NOT using Triumph Warranty On-Line or for Overseas Distributor dealers using Triumph Warranty On-Line with Parts Auto Ordering Flag switched off: Orders should be placed using the normal parts ordering procedure.

Genuine Parts Return

Dealer to retain parts for 90 days. All parts must be stored in a secure, non-public accessed area and correctly identified with a completed warranty label. Thereafter the parts must be rendered unusable prior to scrapping.

Other Instructions

Once completed, please mark the Service Record Book that the requirements of this bulletin have been complied with.

Before returning the motorcycle to the customer, download the latest calibration using the current version of the Triumph diagnostic software to the following:

- Engine electronic control module
- Chassis electronic control module (if fitted)
- Keyless electronic control module (if fitted)
- Suspension electronic control module (if fitted)
- Connectivity module (if fitted)
- Instruments (if applicable).

Replace Side Stand

Warning

Make sure the motorcycle is stabilised and adequately supported.
A correctly supported motorcycle will help prevent it from falling.
An unstable motorcycle may fall, causing injury to the operator or damage to the motorcycle.

Side Stand Removal

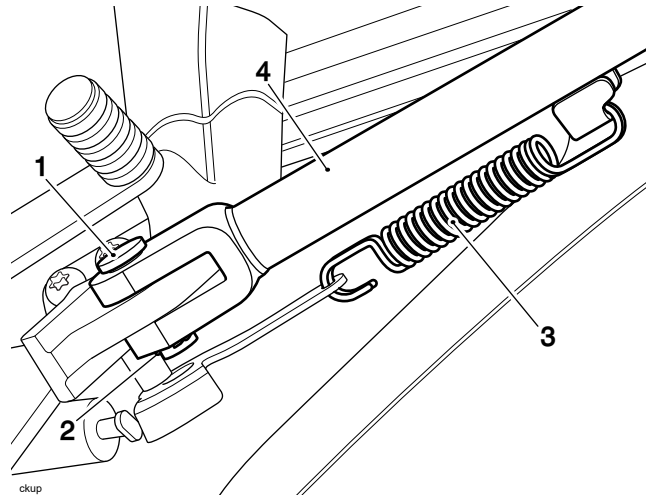
1. Place the motorcycle on a paddock stand and stabilise the motorcycle with suitable tie down straps.

Warning

Wear hand, eye and face protection when unhooking the stand spring. Take great care to minimise the risk of personal injury and loss of components.

Note:

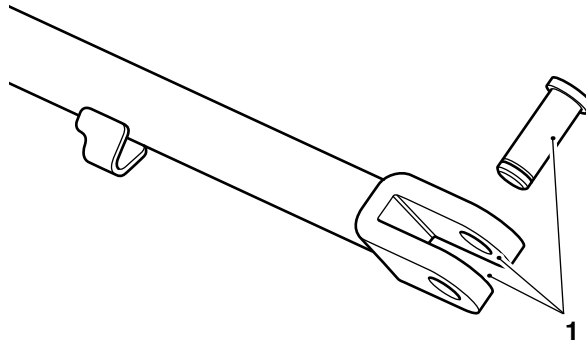
- **The side stand is held in the up position by spring tension.**
2. With the side stand in the up position, unhook the spring from the side stand and remove it from the motorcycle.
 3. Remove and discard the circlip securing the pivot pin.
 4. Remove the pivot pin and remove the side stand.



1. **Pivot pin**
2. **Circlip**
3. **Spring**
4. **Side stand**

Side Stand Installation

1. Collect the new side stand from the kit and lightly coat the upper and lower contact surfaces of the side stand with Castrol High Temperature Grease.
2. Lightly coat the shank of the pivot pin with Castrol High Temperature Grease.



acbt_1

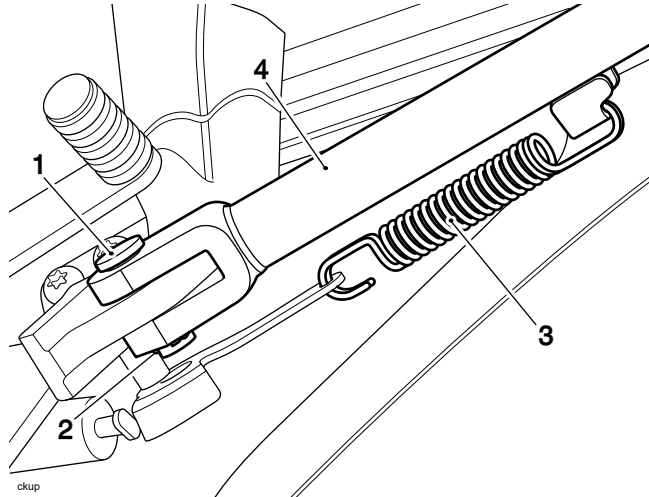
1. Lubrication areas

3. Fit the side stand to the motorcycle.
4. Insert the pivot pin and install a new circlip.

Warning

Wear hand, eye and face protection when fitting the stand spring. Take great care to minimise the risk of personal injury and loss of components.

- With the side stand in the up position, hook the spring onto the upper plate then carefully hook it on to the side stand lug.



- Pivot pin**
- Circlip**
- Spring**
- Side stand**

- Check the operation of the side stand before riding the motorcycle. Make sure the spring holds the stand securely in the retracted position.

Circulation

Initial and date when read and return to central file holder

Service Manager	Parts Manager	Sales Manager	Workshop Supervisor	Technician 1	Technician 2