

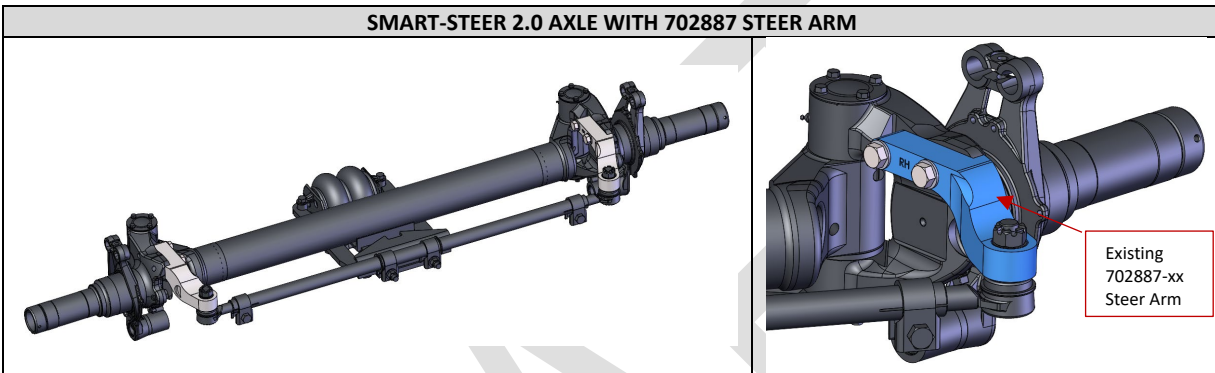


SERVICE BULLETIN # SB015

Date: September 21, 2022

SUBJECT: SMART-STEER 2.0 Axle with 702887 Steer Arm

Based on feedback from our customers and recent analysis, Dexter Heavy Duty has identified an ongoing issue with the 702887 steer arm configuration on the Smart-Steer 2.0 self-steer axles. Under certain repeated heavy loading conditions, the steer arm has the potential to fail.



Upon receiving this service bulletin Dexter recommends making immediate arrangements with a Dexter authorized service facility to replace the steer arms on your self-steer axle(s).

Service work will include the following steps:

1. Remove the existing steer arms and mounting hardware.
2. Clean mounting surface and surrounding surfaces to prepare for mounting of the new bolt-on steer arm and additional welds.
3. Grind a 3/16" chamfer along the mounting face edge (see page three for location & detail).
4. Mount new design steer arms (Part # 703293-LH/RH) with supplied hardware and torque to 400 ft-lbs.
5. Add welds as shown on page three of this bulletin.

A reference table of impacted models is on page two of this service bulletin.

Please contact your Dexter Heavy Duty Field Service Technicians Rudy Wosing or Phil Schnurr at (226) 242-5291 if you have additional questions or need further clarification.

We appreciate your understanding during this time.

Neil Haslam
Engineering Manager – Dexter HD

Affected Smart-Steer 2.0 Axle Models with 702887 Steer Arm

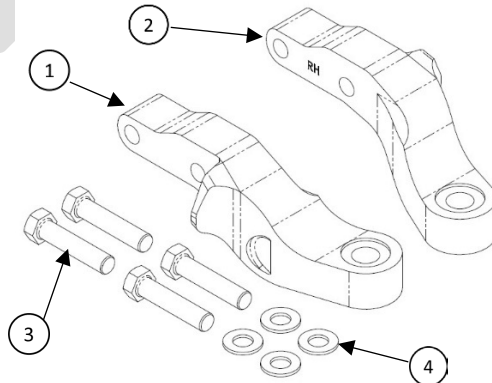
750001	751869-1	752643
750020	751869T-2	752722T
750022	751892	752743
750022-1	751908	752751
750023	751908-T	752751T
750029	752177	761438
750030	752178	762180
750033	752180	770001T
750037	752180-1	771355
750048	752180T	771438
750052	752180T-2	771438-2
750063	752191	771776
751355	752212	771776T
751438	752212-2	771778
751438-2	752252-1	771869
751438T-2	752267	771869T
751638-2	752267-1	772177E
751667-1	752267T	772177T
751684	752267T-1	772178T
751776	752271	772180
751778	752290T	772191
751824	752381	772252T-1
751869	752474-1	

The model number can be found in the ordering variant description.

VARIANT #	VARIANT DESCRIPTION
TEST123-DXT123456	ISS-SSA 751908 -NPA-CCRD-22.5H

Replacement steer arm kit for these models is 703294-01 and contains:

ITEM NUMBER	QUANTITY	PART NUMBER	Description
1	1	703293-LH	B/O steer arm LH
2	1	703293-RH	B/O steer arm RH
3	4	703100	BOLT 3/4-16UNF 3.25"lg GR8 Yellow Zinc (VMI)
4	4	701810	WASHER FLAT .75" MC2 GR8 (VMI)
Not Shown	1	0150425	LOCTITE®, BLUE 242, 0.5ml



STEER ARM WELDING SPECIFICATIONS

