

## Equipment Recall

## ER22-14A

---

	Date	Expiration	Page
	03.2022	N/A	1(4)
Revision: A	Allowed time was 2 hrs per kit, changed to 5 hrs per kit replaced		12-21-2022

### **ENTERTAINER BUSINESS – SEAT BRACKET REPLACEMENT - NHTSA SAFETY RECALL #22E-004**

#### **DESCRIPTION**

Equipment Recall. Seat brackets included in kit 860351 & 860355 **must be replaced**. The seat brackets are missing a weld which renders the parts too weak to meet the strength requirements set on FMVSS 210 section S4.2.2.

Customers who purchased the defective kits from Prevost Parts have already been notified in March 2022 through Safety Recall Notification Letter referring to NHTSA SAFETY RECALL #22E-004.

**Applicable vehicles: NONE**

Date  
03.2022

Expiration  
N/A

Page  
2(4)

## DEFECTIVE BRACKETS

defective seat bracket kits to be replaced	new replacement kits
kit 860351 seat bracket asm, position 1	kit 868187 seat bracket asm, position 1
kit 860355 seat bracket asm, position 3a	kit 868188 seat bracket asm, position 3a

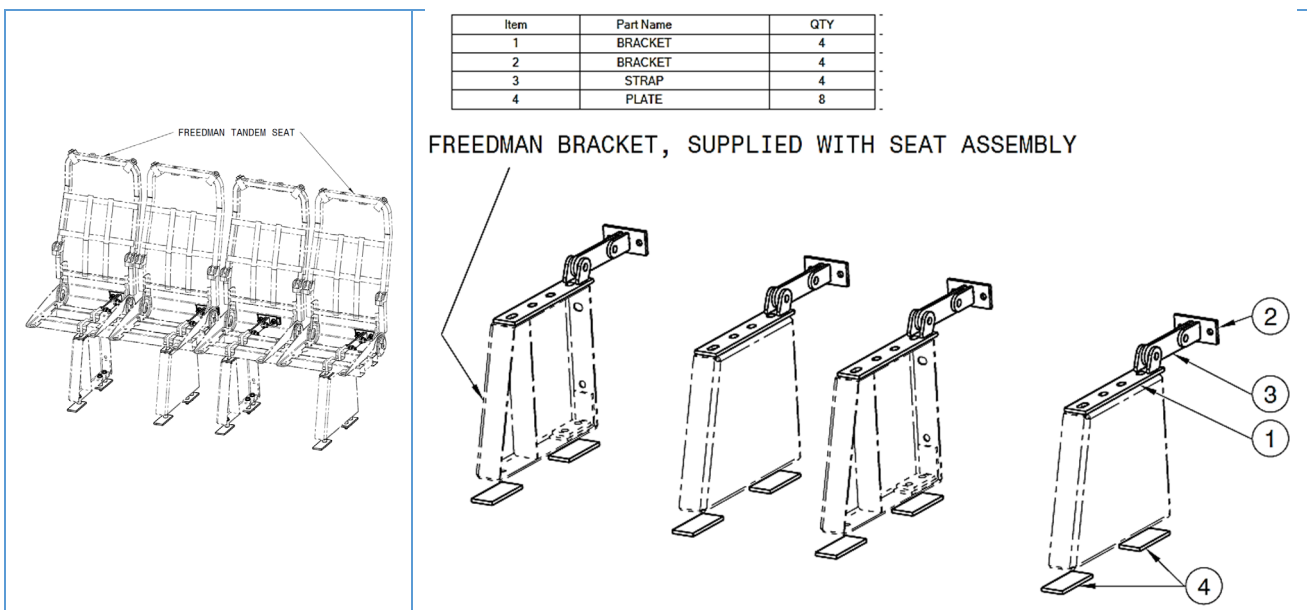


FIGURE 1: KIT 860351 BRACKET POSITION 1 (4 seats)

Date  
03.2022

Expiration  
N/A

Page  
3(4)

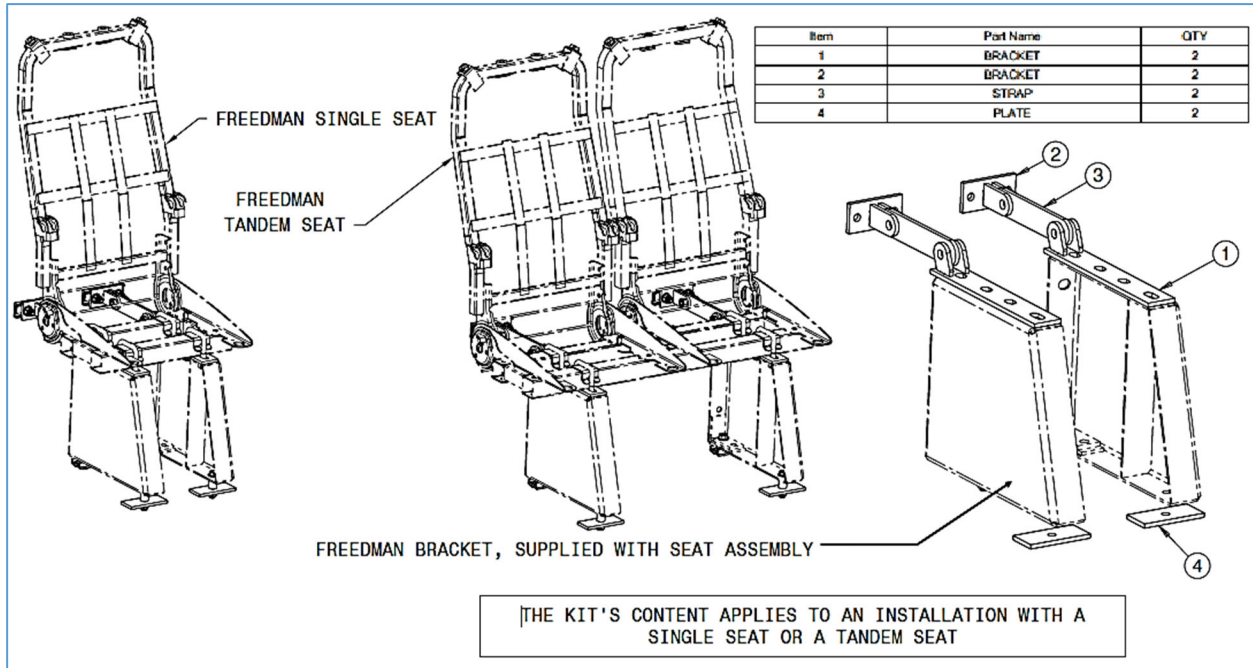


FIGURE 2: Kit 860355 BRACKETS POSITION 3A (1 or 2 seats)

## HOW TO IDENTIFY DEFECTIVE BRACKETS

The defective brackets are missing 1/4 fillet weld beads as shown on the images below.

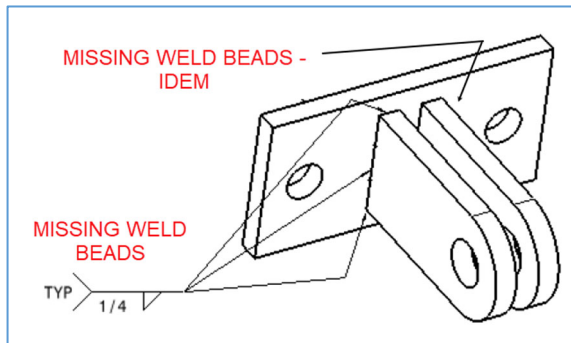


Figure 3: item 2

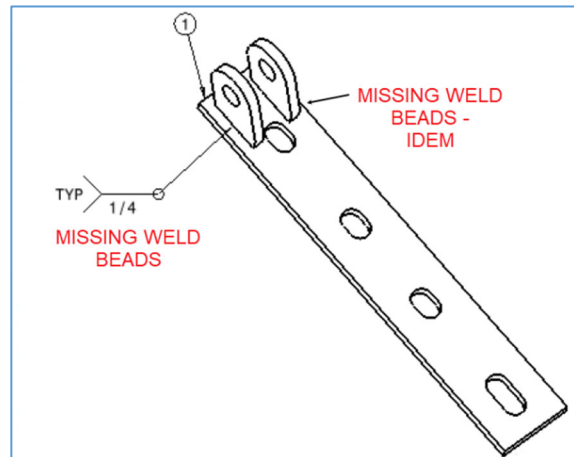


Figure 4: item 1

# Equipment Recall

# ER22-14A

---

Date	Expiration	Page
03.2022	N/A	4(4)

## PARTS DISPOSITION

All replaced parts must be returned to Prevost according to the Return Shipping Instructions available on [www.prevostcar.com](http://www.prevostcar.com) (under service / warranty section) for full reimbursement. A copy of the warranty claim form must be enclosed with the shipment.

## PART AND LABOR CLAIM

This campaign is covered by Prevost's **Parts Warranty**. We will reimburse you the parts and 5 hour(s) (5.0) of labor per kit upon receipt of the defective parts and a warranty claim.

Please submit claim via Online Warranty, available at [www.prevostcar.com](http://www.prevostcar.com) (under Parts/Service ▷ Business Tools ▷ Warranty).

IMPORTANT: Use **Parts Warranty** as claim type.

- In the applicable fields, write down the *invoice number* (mandatory).
- In *Repair Order* field, indicate the following: *campaign 22E004 seat bracket* (mandatory)