



January 2022

Dealer Service Instructions for:

## **Safety Recall Z07 / NHTSA 21V-925 Side Air Bag Inflatable Curtain Inflator**

---

### **Remedy Available**

**2021 - 2022 (DS) Ram 1500 Pickup**  
**2021 - 2022 (DJ) Ram 2500 Pickup**  
**2021 - 2022 (D2) Ram 3500 Pickup**

*NOTE: Some vehicles above may have been identified as not involved in this recall and therefore have been excluded from this recall.*

**IMPORTANT:** Some of the involved vehicles may be in dealer new vehicle inventory. Federal law requires you to complete this recall service on these vehicles before retail delivery. Dealers should also consider this requirement to apply to used vehicle inventory and should perform this recall on vehicles in for service. Involved vehicles can be determined by using the VIP inquiry process.

### **Subject**

The Side Air Bag Inflatable Curtain (SABIC) on about 244 of the above vehicles may have been built with an inflator with out of specification propellant gas mass. SABIC assemblies with low gas mass may result in non-deployment or low/slow deployment and high gas mass may result in aggressive deployment of the air bag, which may increase the risk of occupant injury in certain crashes.

**Repair**

Inspect for the traceability number on the SABIC and if necessary, replace one or both SABIC's as needed. For **CREW CAB** inspect the **Right side** SABIC ONLY.

Trace	For Cab Config	Part number
3V048120383	Crew	CSSLY551AA
ZL2521B1792	Quad	CSSLY554AA
ZL2521B1806	Quad	CSSLY554AA
ZL2521B1808	Quad	CSSLY554AA
ZR2531B2549	Quad	CSSLY553AA
ZR2541C0008	Quad	CSSLY553AA
ZR2551B0006	Quad	CSSLY553AA
ZR2781B1270	Crew	CSSLY551AA
ZR2951B2375	Crew	CSSLY551AA
ZR3011A1012	Crew	CSSLY551AA
ZR3011B2253	Crew	CSSLY551AA

**Alternate Transportation**

Dealers should attempt to minimize customer inconvenience by placing the owner in a loaner vehicle if inspection determines that repair is required and the vehicle must be held overnight.

**Parts Information**

See above chart for SABIC Part Number

<u>Part Number</u>	<u>Required</u>	<u>Description</u>
06036773AA	1	Bolt

**Parts Return**

No parts return required for this campaign. Dispose of all non-deployed air bags in a manner consistent with state, provincial, local and federal regulations.

## **Special Tools**

**The following special tools are required to perform this repair:**

- NPN   wiTECH MicroPod II
- NPN   Laptop Computer
- NPN   wiTECH Software
- C-4755                                     Trim Stick or equivalent

## **Service Procedure**

Follow the repair procedure for the vehicle type being worked on:

A. Quad Cab – Page 4

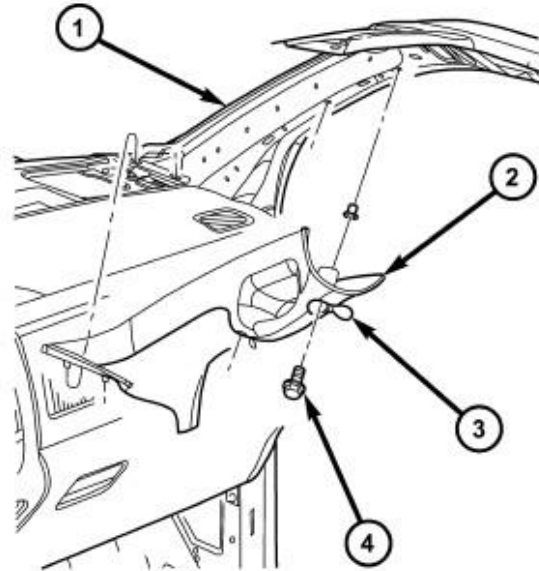
B. Crew Cab – Page 24

**Service Procedure [Continued]**

**A. Quad Cab**

1. Using a small flat-bladed tool, carefully open the two fastener covers (3) located in the A-pillar trim panel (2) (Figure 1).

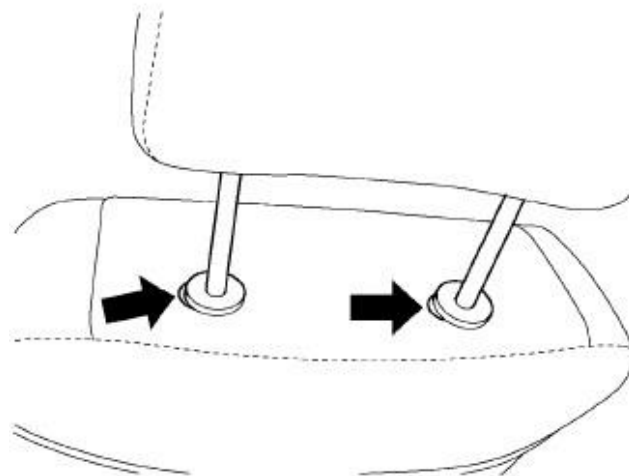
2. Remove the two bolts (4) that secure the A-pillar trim panel to the A-pillar (1) and remove the trim panel (Figure 1).



80d407a9

**Figure 1 – A-Pillar**

3. Push in the buttons on front seat headrest sleeves then pull the headrest up and remove (Figure 2).



8120dd43

**Figure 2 – Head Rest**

4. Position the front seats to the full forward position with the seat backs fully forward.

**Service Procedure [Continued]**

5. Disconnect and isolate the negative battery cable. If equipped with an Intelligent Battery Sensor (IBS), disconnect the IBS connector first before disconnecting the negative battery cable. Wait two minutes for the system capacitor to discharge before further service.

**WARNING:** To avoid serious or fatal injury on vehicles equipped with airbags, disable the Supplemental Restraint System (SRS) before attempting any steering wheel, steering column, airbag, seat belt tensioner, impact sensor or instrument panel component diagnosis or service. Disconnect and isolate the battery negative (ground) cable, then wait two minutes for the system capacitor to discharge before performing further diagnosis or service. This is the only sure way to disable the SRS. Failure to take the proper precautions could result in accidental airbag deployment.

**WARNING:** To avoid serious or fatal injury when removing a deployed airbag, rubber gloves, eye protection, and a long-sleeved shirt should be worn. There may be deposits on the airbag unit and other interior surfaces. In large doses, these deposits may cause irritation to the skin and eyes.

**WARNING:** To avoid serious or fatal injury, use extreme care to prevent any foreign material from entering the side curtain airbag, or becoming entrapped between the side curtain airbag cushion and the headliner. Failure to observe this warning could result in occupant injuries upon airbag deployment.

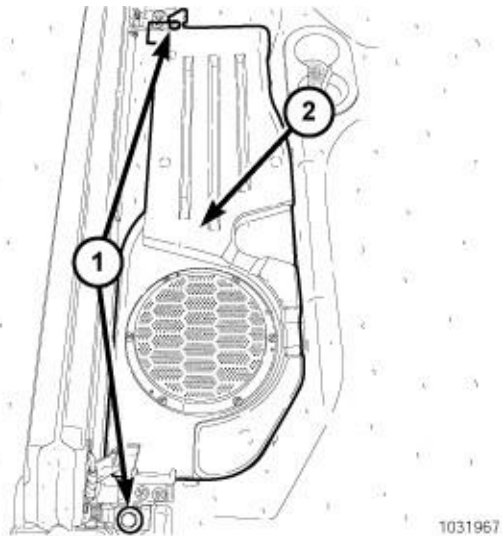
**NOTE:** The following procedure is for replacement of an ineffective or damaged side curtain airbag (also known as Side Air Bag Inflatable Curtain/SABIC). If the airbag is ineffective or damaged, but not deployed, review local ordinances regarding recommended procedures for handling and disposal of Non-Deployed Supplemental Restraints.

**NOTE:** If a side curtain airbag is being removed, but has not been deployed, the headliner does not need to be removed from the passenger compartment. Lowering the headliner and resting it on the seat backs will allow enough clearance to remove the side curtain airbag from the vehicle.

**Service Procedure [Continued]**

6. If equipped with a subwoofer speaker, raise the right rear seat to access the subwoofer (2) (Figure 3).

7. Remove the subwoofer mounting fasteners (1) (Figure 3).

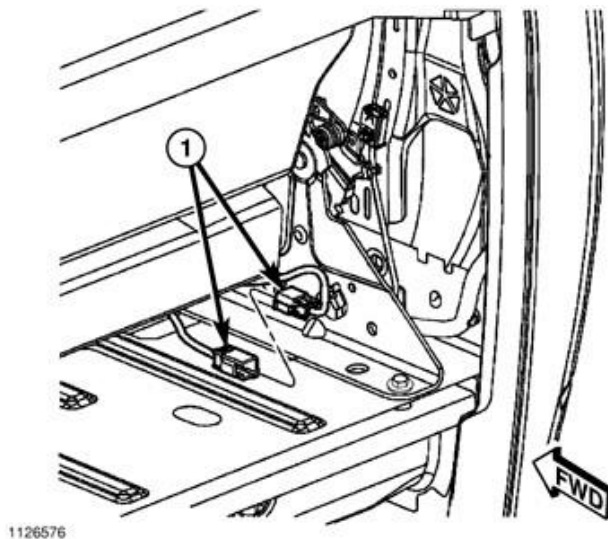


**Figure 3 – Subwoofer**

8. Disconnect the electrical connector and remove the subwoofer (2) (Figure 3).

**NOTE: 60/40 bench seat shown, solid bench seat similar.**

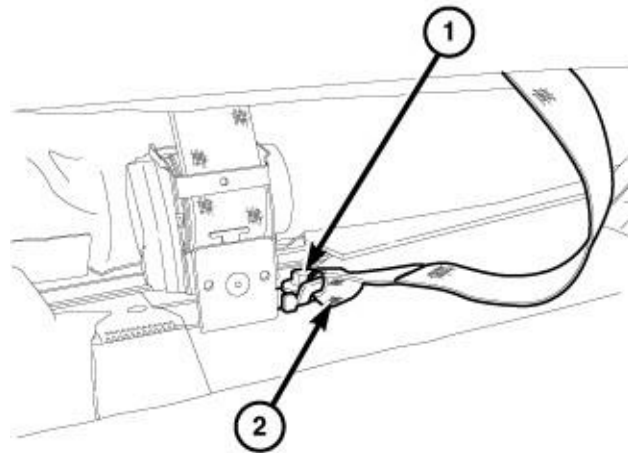
9. If equipped, disconnect the electrical connectors (1) under the rear seat (Figure 4).



**Figure 4 – Seat Electrical Connectors**

**Service Procedure [Continued]**

10. Remove the bolt (1) attaching the center shoulder belt (2) to the retractor and position the shoulder belt out of the way (Figure 5).

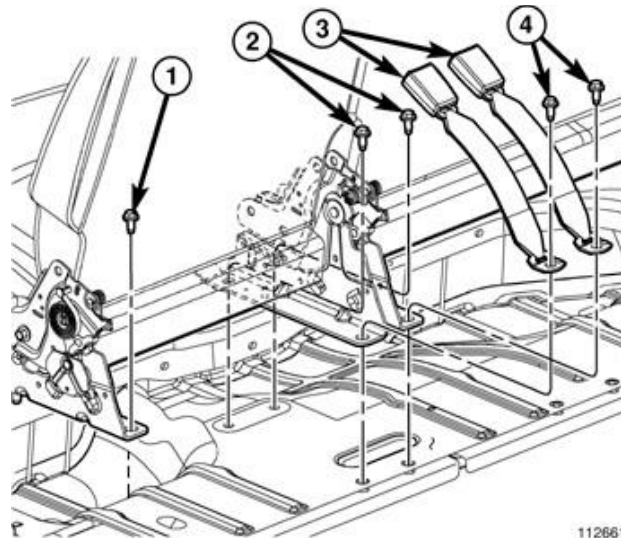


2246727

**Figure 5 – Center Shoulder Belt**

11. Remove the rear outer bolts (1)

12. Remove the rear inner bolts (4) and buckles (3) as necessary (Figure 6).

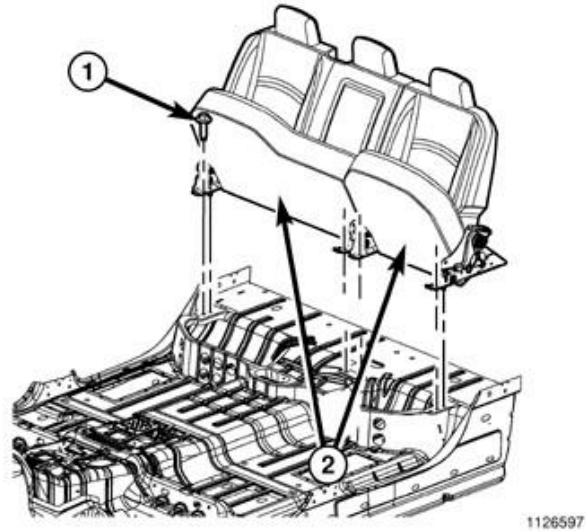


1126614

**Figure 6 – Rear Seat Fasteners**

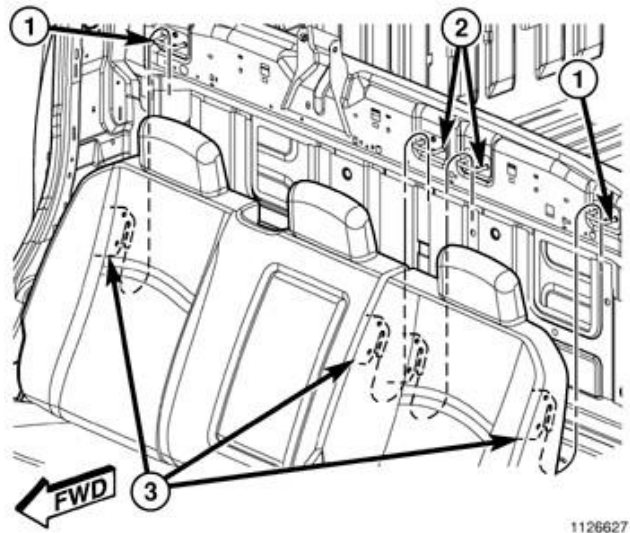
**Service Procedure [Continued]**

13. Remove all the rear seat front bolts (1) (Figure 7).



**Figure 7 – Rear Seat Front Fasteners**

14. Lift the rear seat assemblies up and separate the seat hooks (3) from the brackets (1 and 2) (Figure 8).



**Figure 8 – Center Shoulder Belt**

15. Remove the rear seat assembly from the vehicle.



**Service Procedure [Continued]**

16. Release the front and rear door sill scuff plates on either side of the B-pillar lower trim panel to allow for removal of the B-pillar lower trim panel (Figure 9).



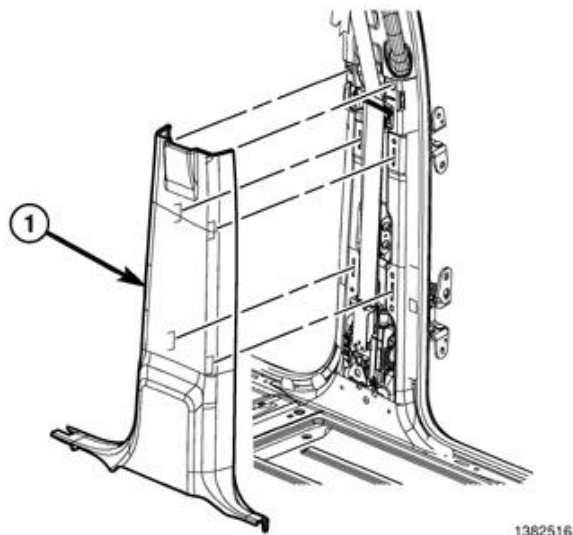
**Front Door Sill**



**Rear Door Sill**

**Figure 9 – Door Sill Scuff Plates**

17. Release the retaining clips and remove the B-pillar lower trim panel to allow for removal of the B-pillar upper trim panel (Figure 10).

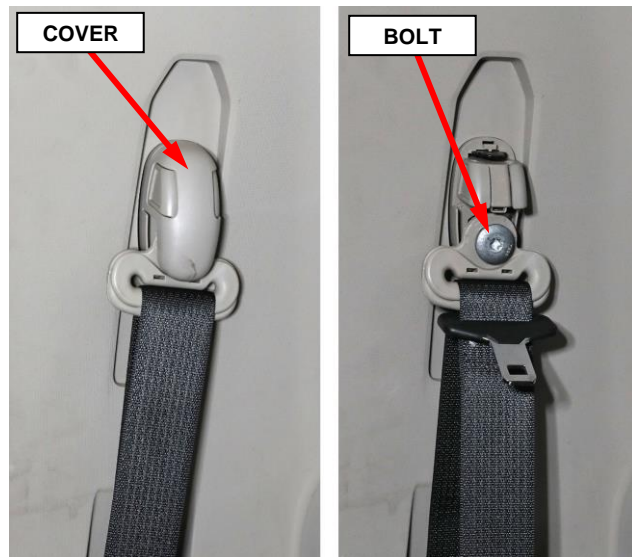


1382516

**Figure 10 – B-Pillar Lower Trim Panel**

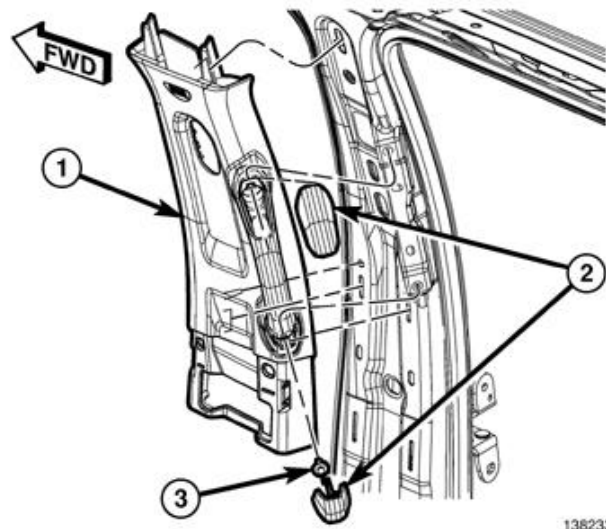
**Service Procedure [Continued]**

18. On the B-pillar, separate the seatbelt turning loop cover then remove the turning loop bolt (Figure 11).



**Figure 11 – Seat Belt Turning Loop**

19. On the B-pillar, use a small flat-bladed tool to carefully open the two fastener covers (2) located on the grab handle (Figure 12).



**Figure 12 – B-Pillar Upper Trim Panel**

21. Using a trim stick C-4755 or equivalent, release the retaining clips that secure the B-pillar upper trim panel (1) then position the trim panel out of the way. It is not necessary to remove the seat belt from the trim panel (Figure 12).

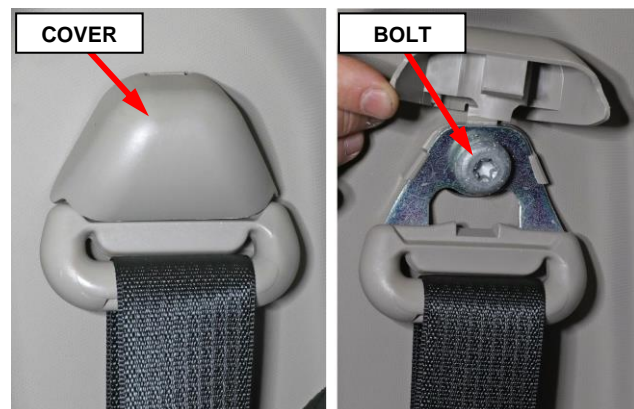
**Service Procedure [Continued]**

22. Release the upper retaining clips of the C-pillar lower trim panel to allow for removal of the C-pillar upper trim panel (Figure 13).



**Figure 13 – C-Pillar Lower Trim Panel**

23. On the C-pillar, lift the seat belt turning loop cover then remove the turning loop bolt (Figure 14).



**Figure 14 – Seat Belt Turning Loop**

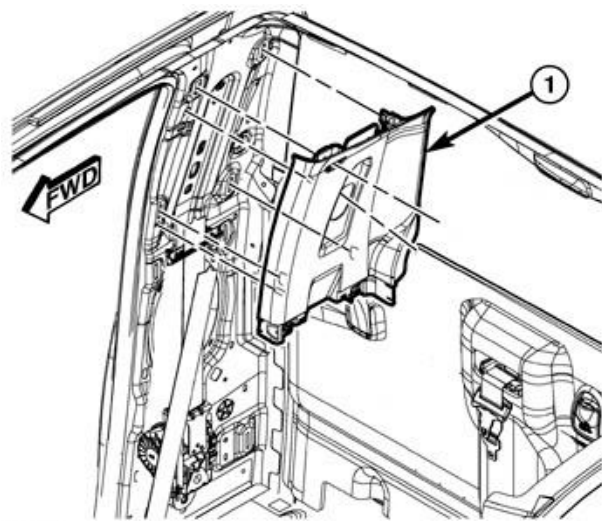
**Service Procedure [Continued]**

- 24. Using a trim stick or equivalent, release the C-pillar airbag applique then remove the screw that secures the upper trim panel (Figure 15).



**Figure 15 – C-Pillar Upper Trim Panel**

- 25. Release the retaining clips and remove the C-pillar upper trim panel (1) (Figure 16).

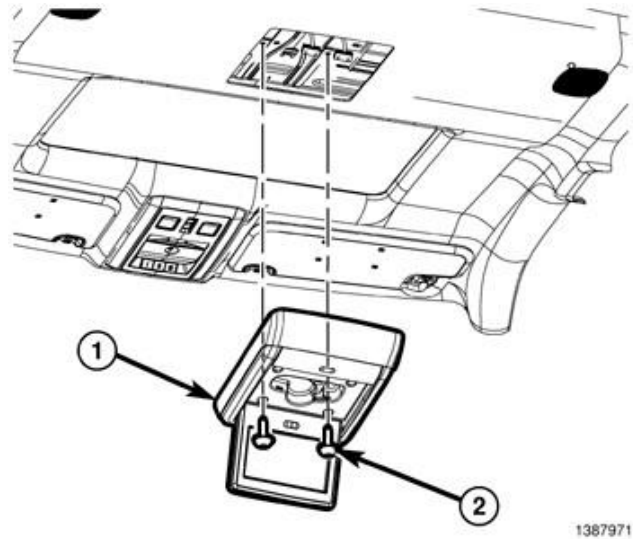


**Figure 16 – C-Pillar Upper Trim Panel**

**Service Procedure [Continued]**

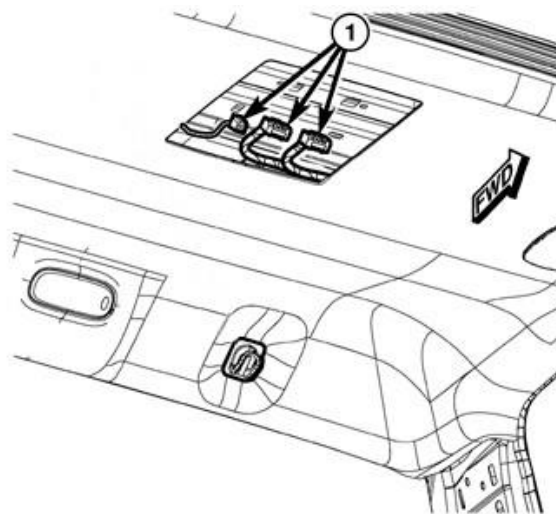
**CAUTION:** Hands should be clean or clean cloth gloves used when handling the visors and headliner to avoid marks or damage.

- 26. If equipped with DVD monitor, remove the screws (2) and separate the monitor (1) from the roof (Figure 17).



**Figure 17 – Rear Seat DVD Monitor**

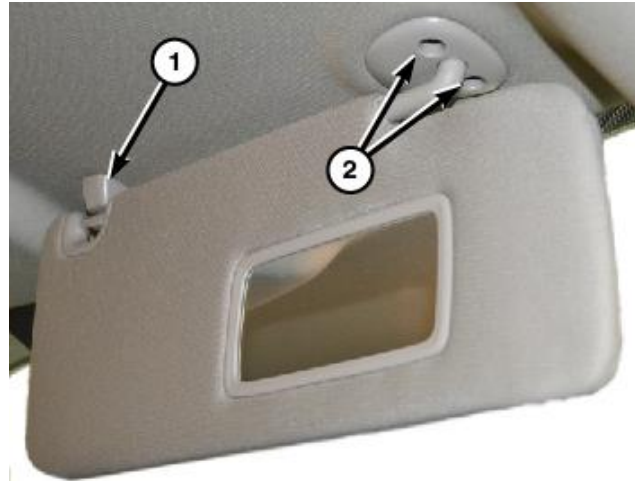
- 27. If equipped with DVD monitor, disconnect the electrical connectors (1) (Figure 18).



**Figure 18 – DVD Monitor Electrical Connectors**

**Service Procedure [Continued]**

28. Separate the visor from the support (1) then remove the screw and remove the visor support (Figure 19).



**Figure 19 – Visors**

29. Remove the visor screws (2) then remove the visor (Figure 19).

Using a small flat bladed tool or equivalent, release the retaining tabs (1) and separate the visor from the headliner (Figure 20).

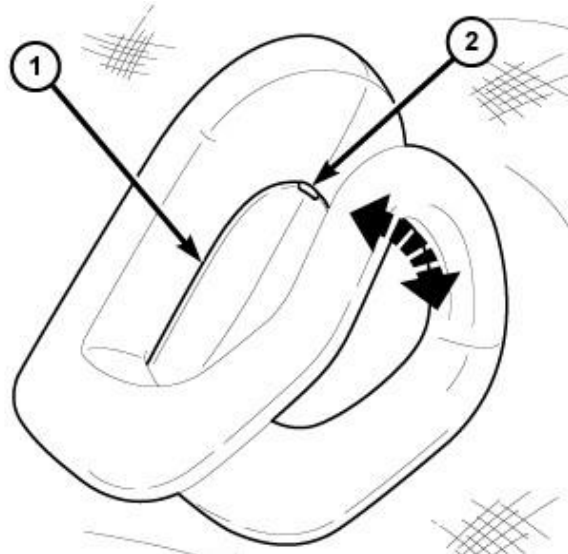


**Figure 20 – Visors**

30. Disconnect the visor electrical connector if equipped.

**NOTE: In some cases, the wire harness for the visor vanity mirror may be glued to the top side of the headliner and may be a little difficult to release.**

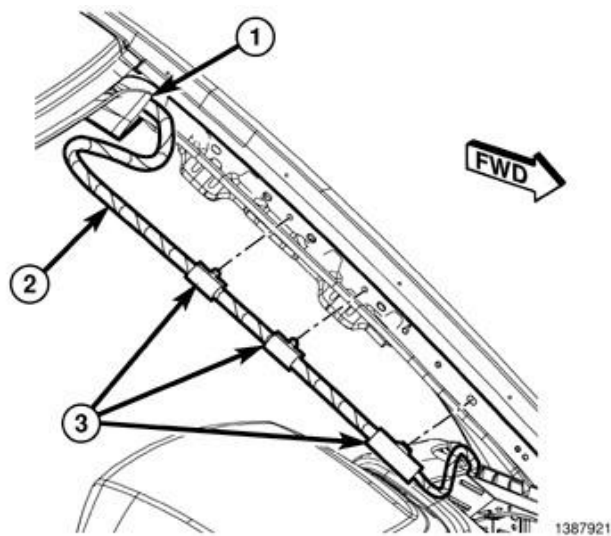
31. Using a small flat bladed tool, open the coat hook screw cover (2) then remove the screw and coat hook (Figure 21).



**Figure 21 – Coat Hook**

**Service Procedure [Continued]**

32. As necessary, release the headliner wiring harness clips (3) from the A-pillar to allow enough wiring harness slack for lowering the headliner (Figure 22).

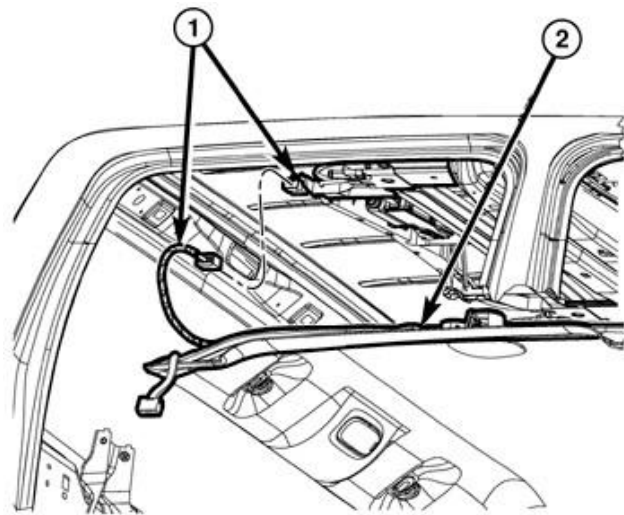


**Figure 22 – Headliner Harness**

33. Release the door seals from the door openings in order to allow for lowering of the headliner.

34. Carefully lower the headliner (2) allowing it to rest on the seat backs and instrument panel (Figure 23).

**CAUTION:** Disconnect any wiring harness electrical connectors (1) as necessary to allow enough wiring harness slack while lowering headliner. It will not be necessary to remove the headliner from the vehicle (Figure 23).



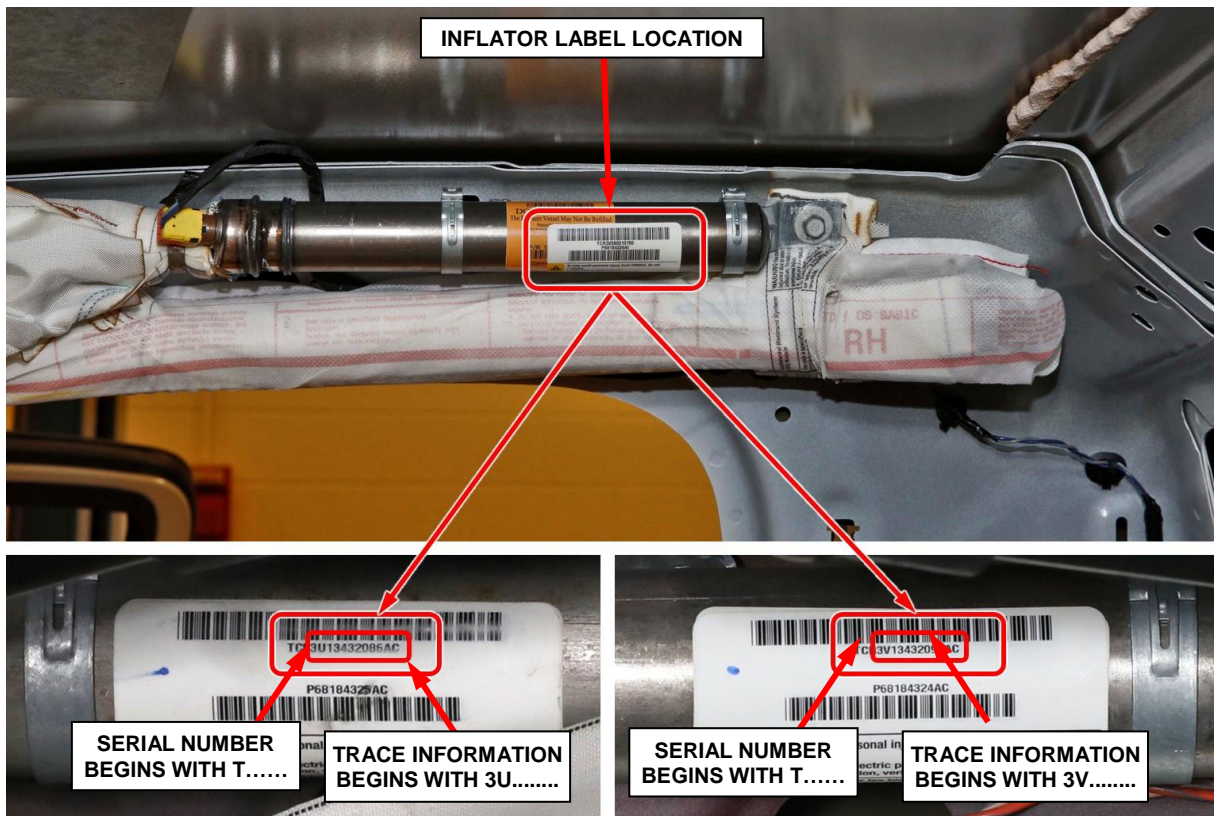
**Figure 23 – Headliner Harness**

**Service Procedure [Continued]**

35. Locate the label on SABIC inflators then record the serial number. (Figure 24):  
 Compare the trace information to chart below.

Trace	For Cab Config	Part number
3V048120383	Crew	CSSLY551AA
ZL2521B1792	Quad	CSSLY554AA
ZL2521B1806	Quad	CSSLY554AA
ZL2521B1808	Quad	CSSLY554AA
ZR2531B2549	Quad	CSSLY553AA
ZR2541C0008	Quad	CSSLY553AA
ZR2551B0006	Quad	CSSLY553AA
ZR2781B1270	Crew	CSSLY551AA
ZR2951B2375	Crew	CSSLY551AA
ZR3011A1012	Crew	CSSLY551AA
ZR3011B2253	Crew	CSSLY551AA

- Suspect inflator – replace SABIC, proceed to step 36.
- Not-suspect inflator – do not replace SABIC, proceed to step 47.

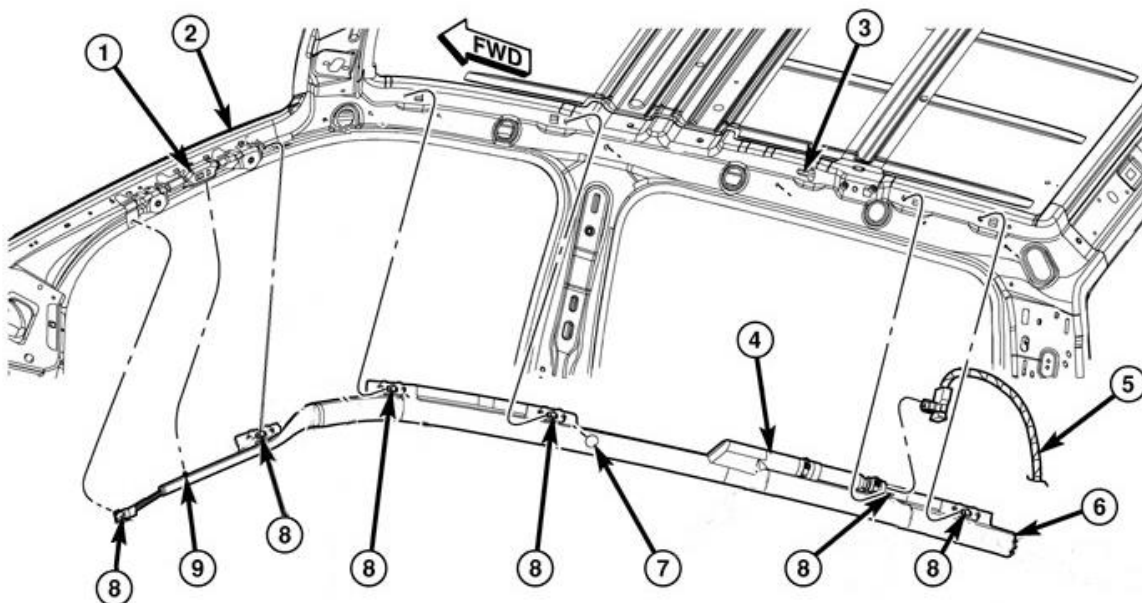


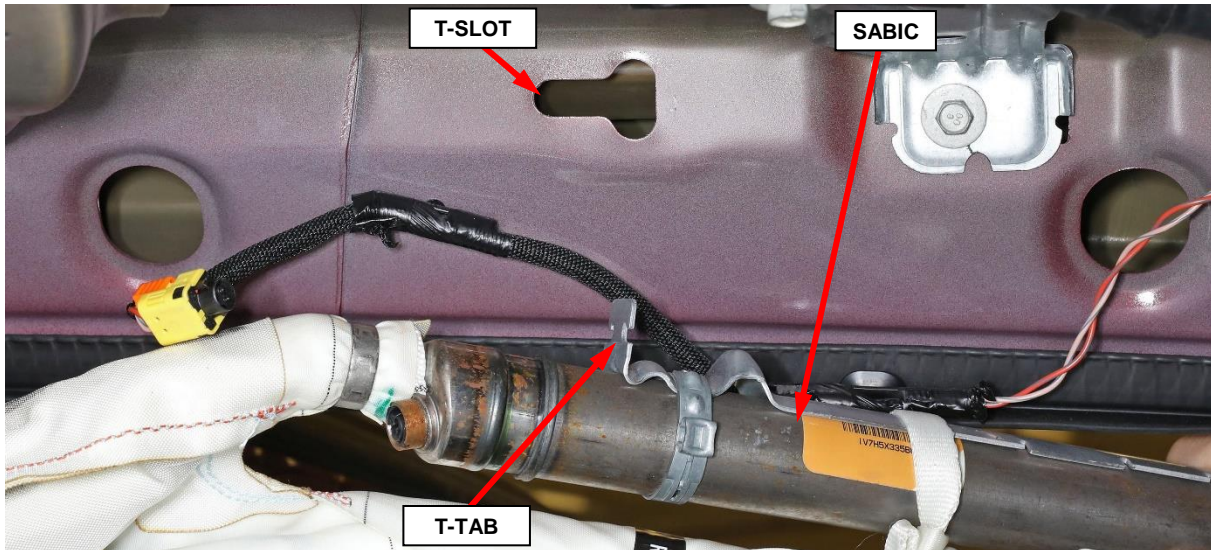
**Figure 24 – SABIC Inflator Serial Number Trace Information Inspection**



**Service Procedure [Continued]**

36. The body wire harness connector (5) is secured by integral latches to the connector receptacle on the inflator (4). Pinch both latches firmly, then pull the connector straight out from the airbag inflator to disconnect it from the connector receptacle (Figure 25).
37. Remove the six bolts (8) that secure the side curtain airbag (6) to the inner roof rail and A-pillar (Figure 25).
38. Disengage the plastic push-in retainer (9) that secures the side curtain airbag tether to the inner A-pillar (1) and the plastic push-in retainer (7) that secures the side curtain airbag to the inner roof rail (Figure 25).
39. Slide the inflator rearward far enough to disengage the T-tab at the front of the inflator bracket from the keyed T-slot in the inner roof rail over the rear door opening (Figure 26).
40. Remove the SABIC (6) from the vehicle as a unit and **DISCARD** following local ordinances and recommended procedures for handling and disposal of Non-Deployed Supplemental Restraints (Figure 25).

**Figure 25 – SABIC**

**Service Procedure [Continued]**

**Figure 26 – SABIC Inflator T-Tab and Inner Roof Rail T-Slot**

41. Check to be certain that the spring nuts are properly installed in the inner roof rail and that they are in good condition.
42. Position the **NEW SABIC** (6) into the vehicle as a unit (Figure 25).
43. Insert the T-tab at the front of the inflator bracket into the keyed T-slot in the inner roof rail over the rear door opening and slide the inflator forward to engage it (Figure 26).
44. Engage the plastic push-in retainer (7) that secures the side curtain airbag to the inner roof rail and ensure the tether is not twisted then engage the plastic push-in retainer (9) that secures the side curtain airbag front tether to the assist handle bracket on the inner A-pillar (1) (Figure 25).
45. Working from rear to front, install and tighten the seven bolts (8) that secure the side curtain airbag (6) to the inner roof rail and A-pillar. Tighten the bolts to 7 N·m (62 in. lbs.) (Figure 25).
46. Connect the body wire harness connector (5) for the side curtain airbag to the connector receptacle of the inflator (4). Be certain that each connector is fully engaged in its receptacle by listening carefully for a distinct, audible click as the connector latches snap into place (Figure 25).

**Service Procedure [Continued]**

**CAUTION: Hands should be clean or clean cloth gloves used when handling the headliner to avoid damage to the headliner.**

47. Raise the headliner into proper vehicle position and connect any electrical connectors previously disconnected from the headliner (Figure 23).

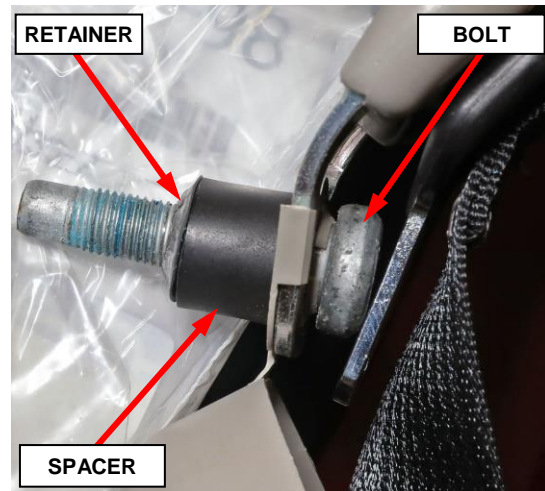
**CAUTION: Be certain to avoid any wiring or drain tube interference.**

48. Position the coat hooks (5) onto the headliner and install the screws tightening securely into the mounting clips then close the screw cap fully (Figure 21).
49. Position the visor supports (1) onto the headliner and install the screws into the mounting clips (Figure 20).
50. If equipped with illuminated vanity mirror, connect the wire harness connector.
51. Position the visor to the headliner and install the screws (2) that secure the visor to the roof panel. Tighten the screws to 6 N·m (53 in. lbs.) (Figure 19).
52. Reattach any headliner wiring harness clips (3) removed from the A-pillar to allow slack while lowering headliner (Figure 22).
53. If equipped with DVD monitor, connect the DVD monitor electrical connectors (1) (Figure 18). Position the DVD monitor to the roof then install and tighten the screws (2) (Figure 17).

**Service Procedure [Continued]**

54. Position the upper trim (1) to the C-pillar then engage the retaining clips (Figure 30).
55. Install and tighten the screw that secures the C-pillar upper trim panel. Then install the airbag applique (Figure 16).
56. Remove and **DISCARD** the bolt retainer and bolt from the seat belt turning loop, save the spacer washer for reuse (Figure 27).

57. Using a **NEW** bolt and reusing the spacer, install the turning loop then tighten the bolt to 40 N·m (30 ft. lbs.) (Figure 27).

**Figure 27 – Turning Loop Bolt**

58. Install the seat belt turning loop cover (Figure 14).
59. Position the C-pillar lower trim panel and engage the retaining clips (Figure 13).

**NOTE: Ensure that all C-pillar fasteners are installed/engaged properly.**

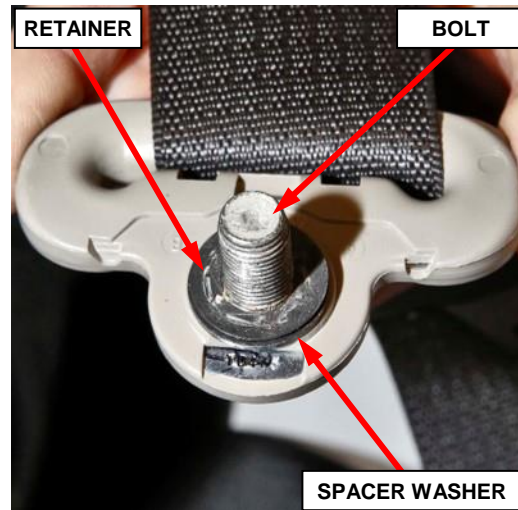
60. Install the B-pillar upper trim panel (1) and engage the retaining clips fully (Figure 12).
61. Install the grab handle bolts (3) and tighten to 5 N·m (44 in. lbs.). Close the fastener covers (2) (Figure 12).

**Service Procedure [Continued]**

62. Remove and **DISCARD** the bolt retainer and bolt from the seat belt turning loop, save the spacer washer for reuse (Figure 28).

63. Using a **NEW** bolt and reusing the spacer washer, install the turning loop then tighten the bolt to 40 N·m (30 ft. lbs.) (Figure 11).

64. Install the seat belt turning loop cover (Figure 11).



**Figure 28 – Turning Loop Bolt**

65. Position the B-pillar lower trim panel and engage the retaining clips fully (Figure 12).

66. Position the front and rear door sill scuff plates and engage the retainers (Figure 9).

67. Position the rear seat assembly into the vehicle and lift the seat hooks (3) onto the brackets (1 and 2) (Figure 8).

68. Install the rear seat front bolts (1) (Figure 7).

69. Loosely install the rear seat belts (3) and bolts (4) (Figure 6).

70. Install the remaining rear seat bolts (1) then tighten all bolts to 47 N·m (35 ft. lbs.) (Figure 7).

**Service Procedure [Continued]**

71. Position the rear center shoulder belt (2) into place and install the bolt (1). Tighten the bolt to 23 N·m (17 ft. lbs.) (Figure 5).
72. If equipped, connect the rear seat electrical connectors (1) (Figure 4).
73. If equipped with subwoofer, position the subwoofer (2) to vehicle. Connect the electrical connector. Install and tighten the mounting fasteners (1) then lower the rear seat (Figure 3).

**WARNING: Do not connect the negative battery cable at this time. The Supplemental Restraint System (SRS) Verification Test procedure should be performed following service of any SRS component.**

**NOTE: The following procedure should be performed using a diagnostic scan tool to verify proper Supplemental Restraint System (SRS) operation following the service or replacement of any SRS component. Refer to the appropriate diagnostic procedures.**

74. During the following test, the negative cable remains disconnected and isolated from the battery, as it was during the Supplemental Restraint System (SRS) component removal and installation procedures.
75. Be certain that the diagnostic scan tool contains the latest version of the proper diagnostic software. Connect the scan tool to the 16-way Data Link Connector (DLC). The DLC is located on the driver side lower edge of the instrument panel, near the steering column opening cover and outboard of the steering column.
76. Transition the status of the ignition switch (also known as the Keyless Ignition Node/KIN or IGnition Node Module/IGNM) to ON and exit the vehicle with the scan tool.

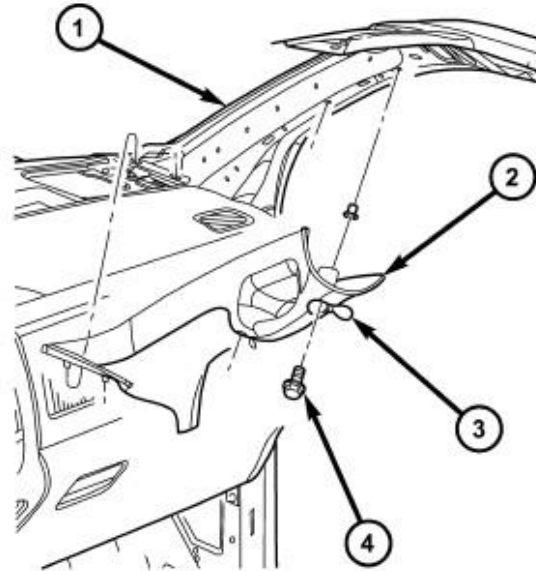
**Service Procedure [Continued]**

77. Check to be certain that nobody is in the vehicle, then connect the negative cable to the battery.
78. Using the scan tool, read and record the active (current) Diagnostic Trouble Code (DTC) data.
79. Next, use the scan tool to read and record any stored (historical) DTC data.
80. If any SRS related DTC is found in the previous two steps, refer to the appropriate diagnostic information.
81. Use the scan tool to erase the stored DTC data. If any problems remain, the stored DTC data will not erase. Refer to the appropriate diagnostic information to diagnose any stored DTC that will not erase. If the stored DTC information is successfully erased, continue to the next step.
82. Transition the status of the ignition switch to OFF for about 15 seconds, and then back to ON. Observe the airbag indicator in the instrument cluster. It should light from four to six seconds, and then go out. This indicates that the SRS is functioning normally and that the repairs are complete. If the airbag indicator fails to light, or lights and stays ON, there is still an active SRS fault or malfunction. Refer to the appropriate diagnostic information to diagnose the problem.
83. Install the front seat headrests (Figure 17).
84. Position the locating tab of the A-pillar trim panel (2) into the slot located in the top of the instrument panel (Figure 16).
85. Install the A-pillar trim panel onto the A-pillar (1) and install the two bolts (4). Tighten the bolts to 5 N·m (44 in. lbs.) (Figure 1).
86. Close the two fastener covers (3) located in the A-pillar trim panel (Figure 1).
87. Install the door seals around the door openings.
88. Return the vehicle to the customer or inventory.

**Service Procedure [Continued]**

**B. Crew Cab**

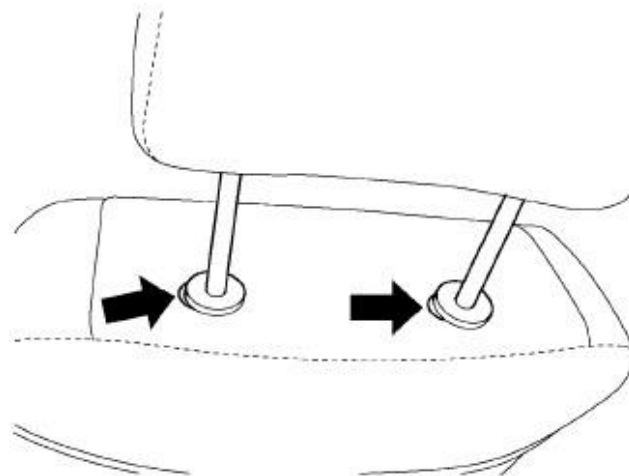
1. Using a small flat-bladed tool, carefully open the two fastener covers (3) located in the A-pillar trim panel (2) (Figure 29).
2. Remove the two bolts (4) that secure the A-pillar trim panel to the A-pillar (1) and remove the trim panel (Figure 29).



80d407a9

**Figure 29 – A-Pillar**

3. Push in the buttons on front seat headrest sleeves then pull the headrest up and remove (Figure 30).



8120dd43

4. Position the front seats to the full forward position with the seat backs fully forward.

**Figure 30 – Head Rest**



**Service Procedure [Continued]**

5. Disconnect and isolate the negative battery cable. If equipped with an Intelligent Battery Sensor (IBS), disconnect the IBS connector first before disconnecting the negative battery cable. Wait two minutes for the system capacitor to discharge before further service.

**WARNING:** To avoid serious or fatal injury on vehicles equipped with airbags, disable the Supplemental Restraint System (SRS) before attempting any steering wheel, steering column, airbag, seat belt tensioner, impact sensor or instrument panel component diagnosis or service. Disconnect and isolate the battery negative (ground) cable, then wait two minutes for the system capacitor to discharge before performing further diagnosis or service. This is the only sure way to disable the SRS. Failure to take the proper precautions could result in accidental airbag deployment.

**WARNING:** To avoid serious or fatal injury when removing a deployed airbag, rubber gloves, eye protection, and a long-sleeved shirt should be worn. There may be deposits on the airbag unit and other interior surfaces. In large doses, these deposits may cause irritation to the skin and eyes.

**WARNING:** To avoid serious or fatal injury, use extreme care to prevent any foreign material from entering the side curtain airbag, or becoming entrapped between the side curtain airbag cushion and the headliner. Failure to observe this warning could result in occupant injuries upon airbag deployment.

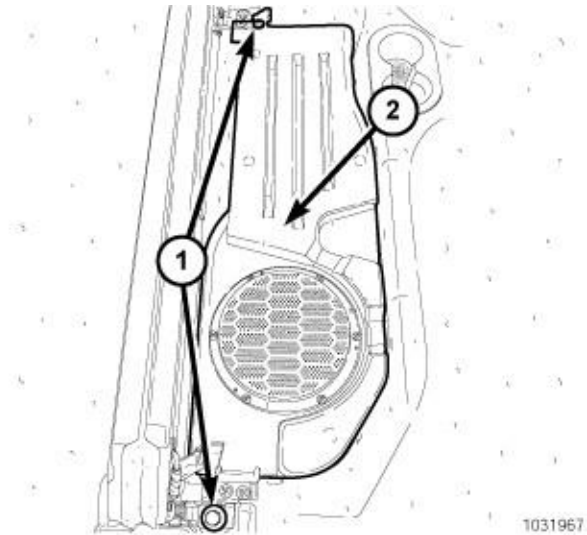
**NOTE:** The following procedure is for replacement of an ineffective or damaged side curtain airbag (also known as Side Air Bag Inflatable Curtain/SABIC). If the airbag is ineffective or damaged, but not deployed, review local ordinances regarding recommended procedures for handling and disposal of Non-Deployed Supplemental Restraints.

**NOTE:** If a side curtain airbag is being removed, but has not been deployed, the headliner does not need to be removed from the passenger compartment. Lowering the headliner and resting it on the seat backs will allow enough clearance to remove the side curtain airbag from the vehicle.

**Service Procedure [Continued]**

6. If equipped with a subwoofer speaker, raise the right rear seat to access the subwoofer (2) (Figure 31).

7. Remove the subwoofer mounting fasteners (1) (Figure 31).

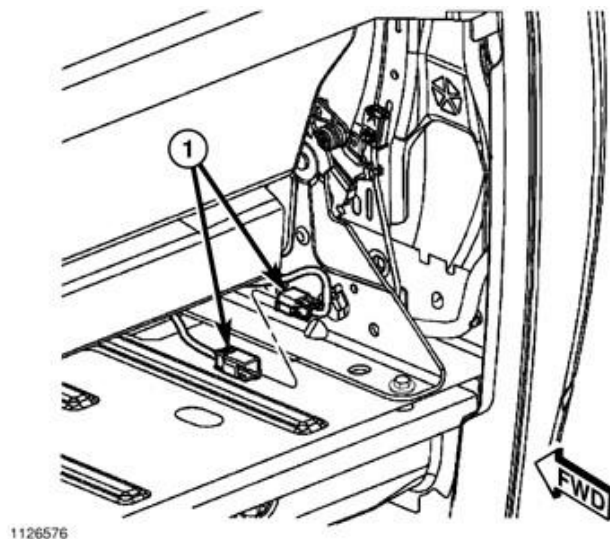


**Figure 31 – Subwoofer**

8. Disconnect the electrical connector and remove the subwoofer (2) (Figure 31).

**NOTE: 60/40 bench seat shown, solid bench seat similar.**

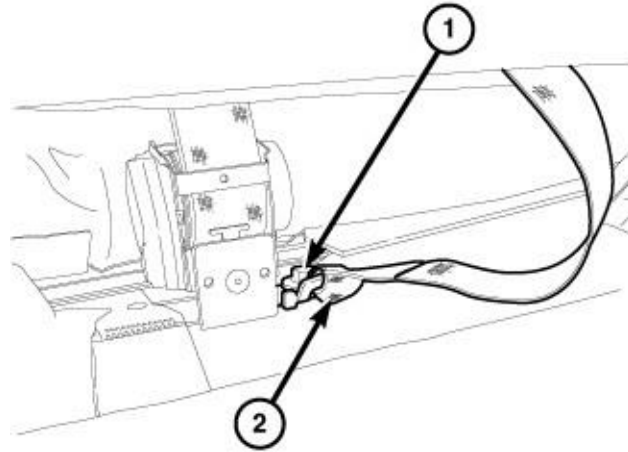
9. If equipped, disconnect the electrical connectors (1) under the rear seat (Figure 32).



**Figure 32 – Seat Electrical Connectors**

**Service Procedure [Continued]**

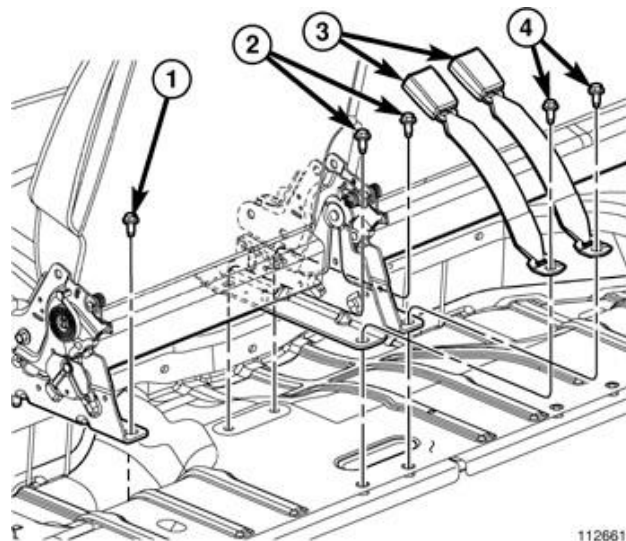
10. Remove the bolt (1) attaching the center shoulder belt (2) to the retractor and position the shoulder belt out of the way (Figure 33).



2246727

**Figure 33 – Center Shoulder Belt**

11. Remove the rear outer bolts (1) (Figure 34).
12. Remove the rear inner bolts (4) and buckles (3) as necessary (Figure 34).

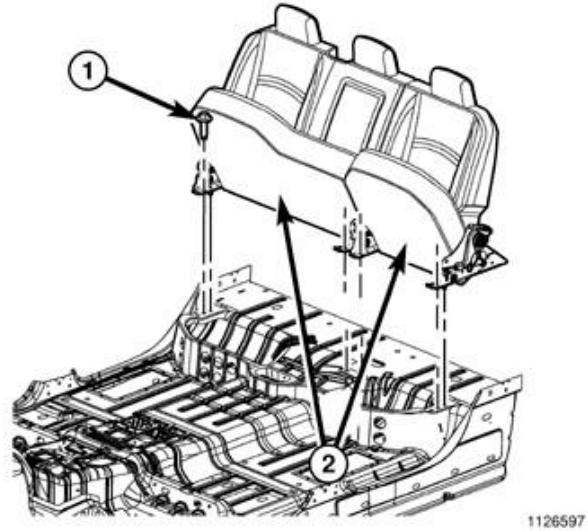


1126614

**Figure 34 – Rear Seat Fasteners**

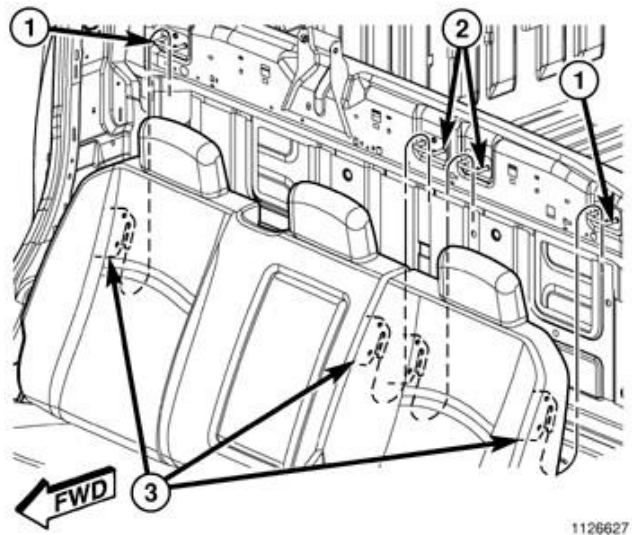
**Service Procedure [Continued]**

- Remove all the rear seat front bolts (1) (Figure 35).



**Figure 35 – Rear Seat Front Fasteners**

- Lift the rear seat assemblies up and separate the seat hooks (3) from the brackets (1 and 2) (Figure 36).



**Figure 36 – Center Shoulder Belt**

- Remove the rear seat assembly from the vehicle.

**Service Procedure [Continued]**

- 16. Release the front and rear door sill scuff plates on either side of the B-pillar lower trim panel to allow for removal of the B-pillar lower trim panel (Figure 37).



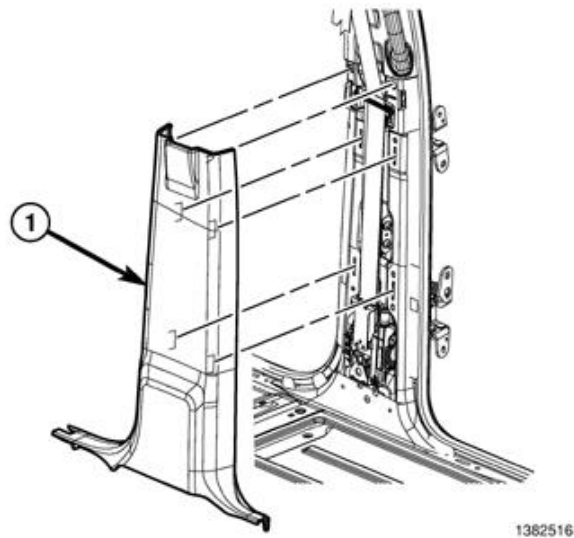
**Front Door Sill**



**Rear Door Sill**

**Figure 37 – Door Sill Scuff Plates**

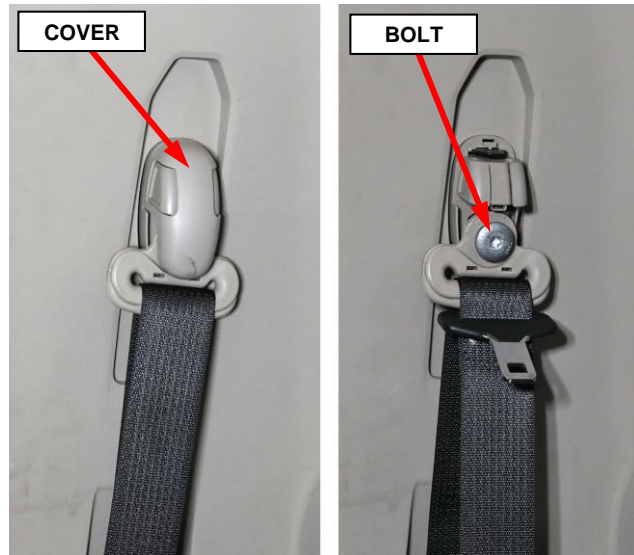
- 17. Release the retaining clips and remove the B-pillar lower trim panel to allow for removal of the B-pillar upper trim panel (Figure 38).



**Figure 38 – B-Pillar Lower Trim Panel**

**Service Procedure [Continued]**

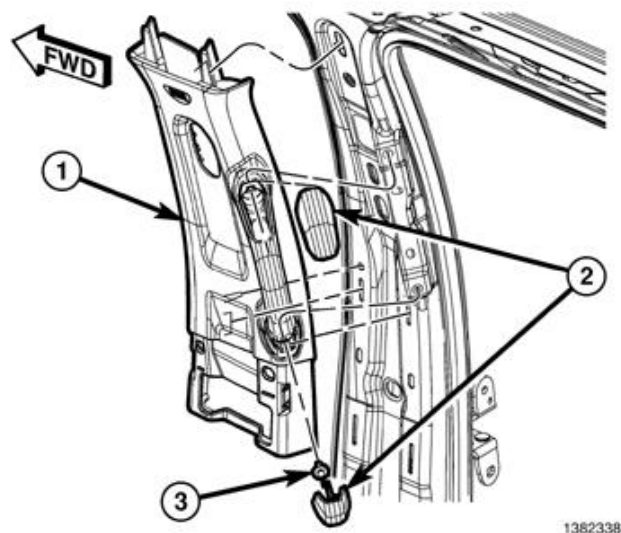
18. On the B-pillar, separate the seatbelt turning loop cover then remove the turning loop bolt (Figure 39).



**Figure 39 – Seat Belt Turning Loop**

19. On the B-pillar, use a small flat-bladed tool to carefully open the two fastener covers (2) located on the grab handle (Figure 40).

20. Remove the two bolts (3) that secure the grab handle to the B-pillar (Figure 40).

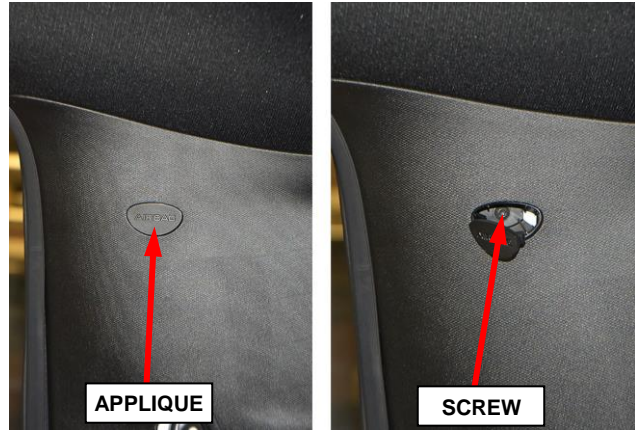


**Figure 40 – B-Pillar Upper Trim Panel**

21. Using a trim stick C-4755 or equivalent, release the retaining clips that secure the B-pillar upper trim panel (1) then position the trim panel out of the way. It is not necessary to remove the seat belt from the trim panel (Figure 40).

**Service Procedure [Continued]**

22. Using a trim stick or equivalent, release the C-pillar airbag applique then remove the screw that secures the upper trim panel (Figure 41).



**Figure 41 – C-Pillar Upper Trim Panel**

23. Release the upper retaining clips then tilt the upper portion of the C-pillar lower trim panel away from the C-pillar (Figure 41).

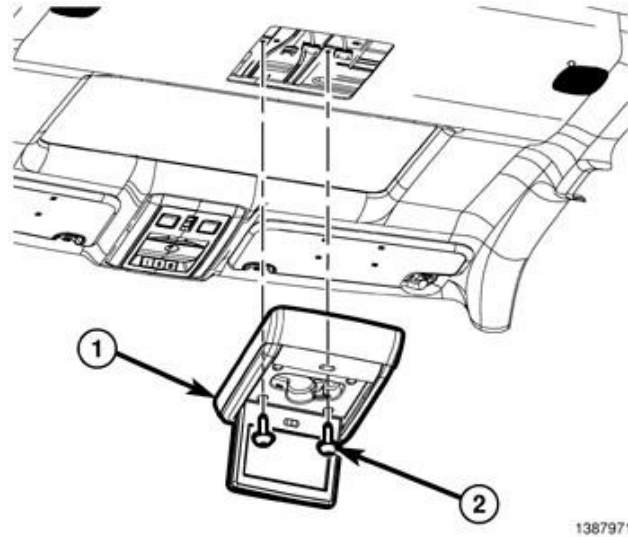
24. Release the retaining clips then remove the upper trim panel from the C-pillar (Figure 42).



**Figure 42 – C-Pillar Trim Panels**

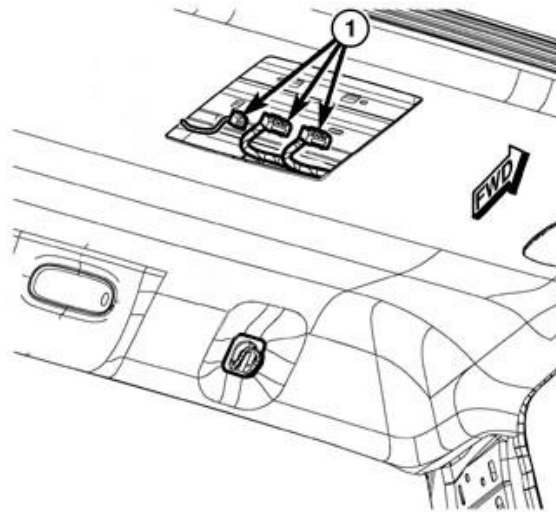
**Service Procedure [Continued]**

25. If equipped with DVD monitor, remove the screws (2) and separate the monitor (1) from the roof (Figure 43).



**Figure 43 – Rear Seat DVD Monitor**

26. If equipped with DVD monitor, disconnect the electrical connectors (1) (Figure 44).

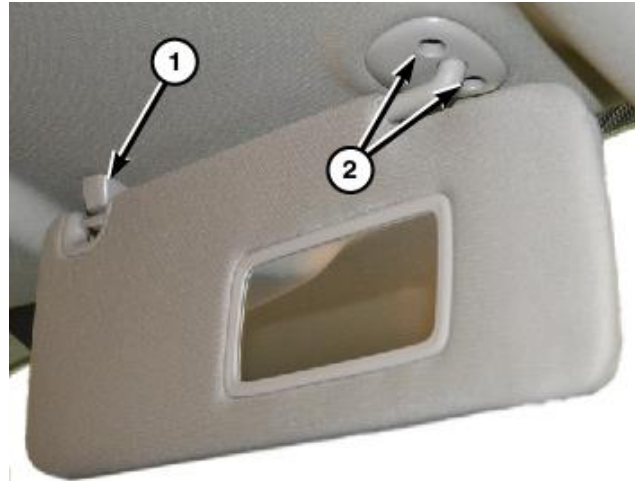


**Figure 44 – DVD Monitor Electrical Connectors**



**Service Procedure [Continued]**

27. Separate the visor from the support (1) then remove the screw and remove the visor support (Figure 45).



**Figure 45 – Visors**

28. Remove the visor screws (2) then remove the visor (Figure 45).

Using a small flat bladed tool or equivalent, release the retaining tabs (1) and separate the visor from the headliner (Figure 50).

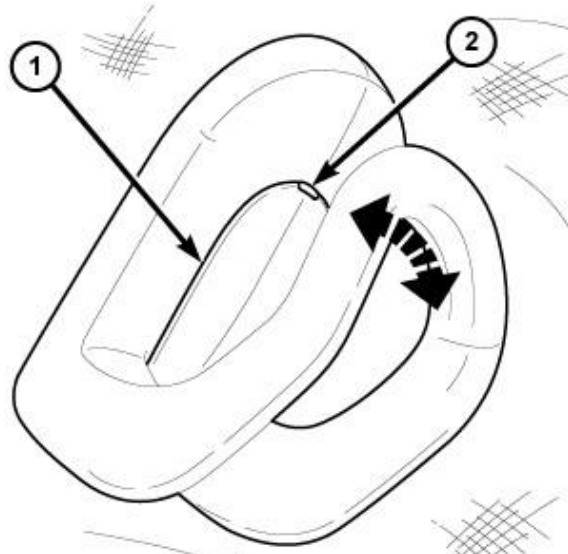


**Figure 50 – Visors**

29. Disconnect the visor electrical connector if equipped.

**NOTE: In some cases, the wire harness for the visor vanity mirror may be glued to the top side of the headliner and may be a little difficult to release.**

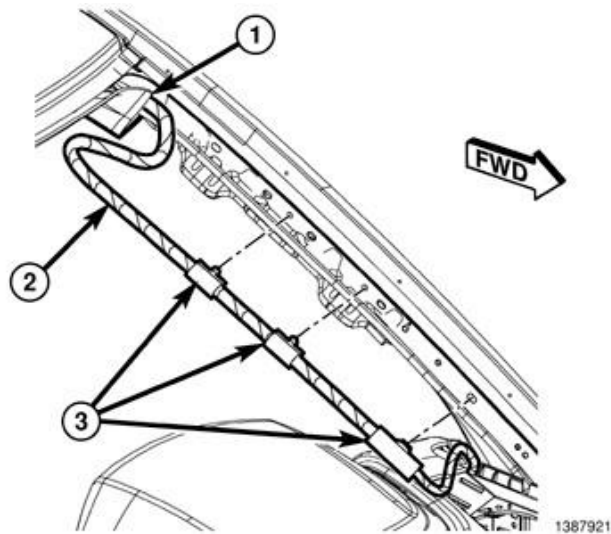
30. Using a small flat bladed tool, open the coat hook screw cover (2) then remove the screw and coat hook (Figure 51).



**Figure 51 – Coat Hook**

**Service Procedure [Continued]**

31. As necessary, release the headliner wiring harness clips (3) from the A-pillar to allow enough wiring harness slack for lowering the headliner (Figure 52).

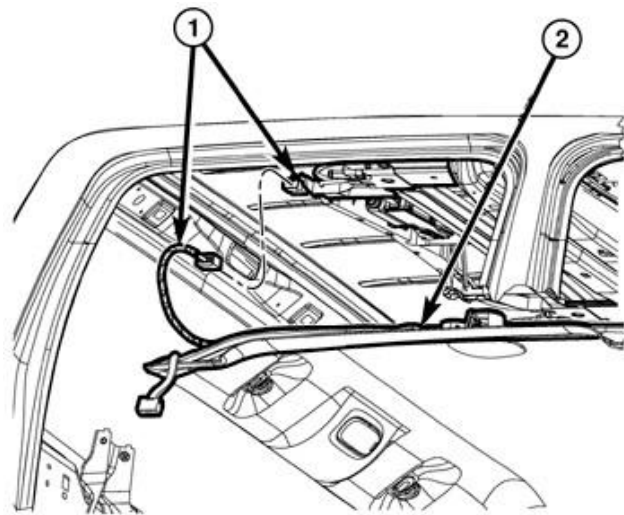


**Figure 52 – Headliner Harness**

32. Release the door seals from the door openings in order to allow for lowering of the headliner.

33. Carefully lower the headliner (2) allowing it to rest on the seat backs and instrument panel (Figure 53).

**CAUTION:** Disconnect any wiring harness electrical connectors (1) as necessary to allow enough wiring harness slack while lowering headliner. It will not be necessary to remove the headliner from the vehicle (Figure 53).



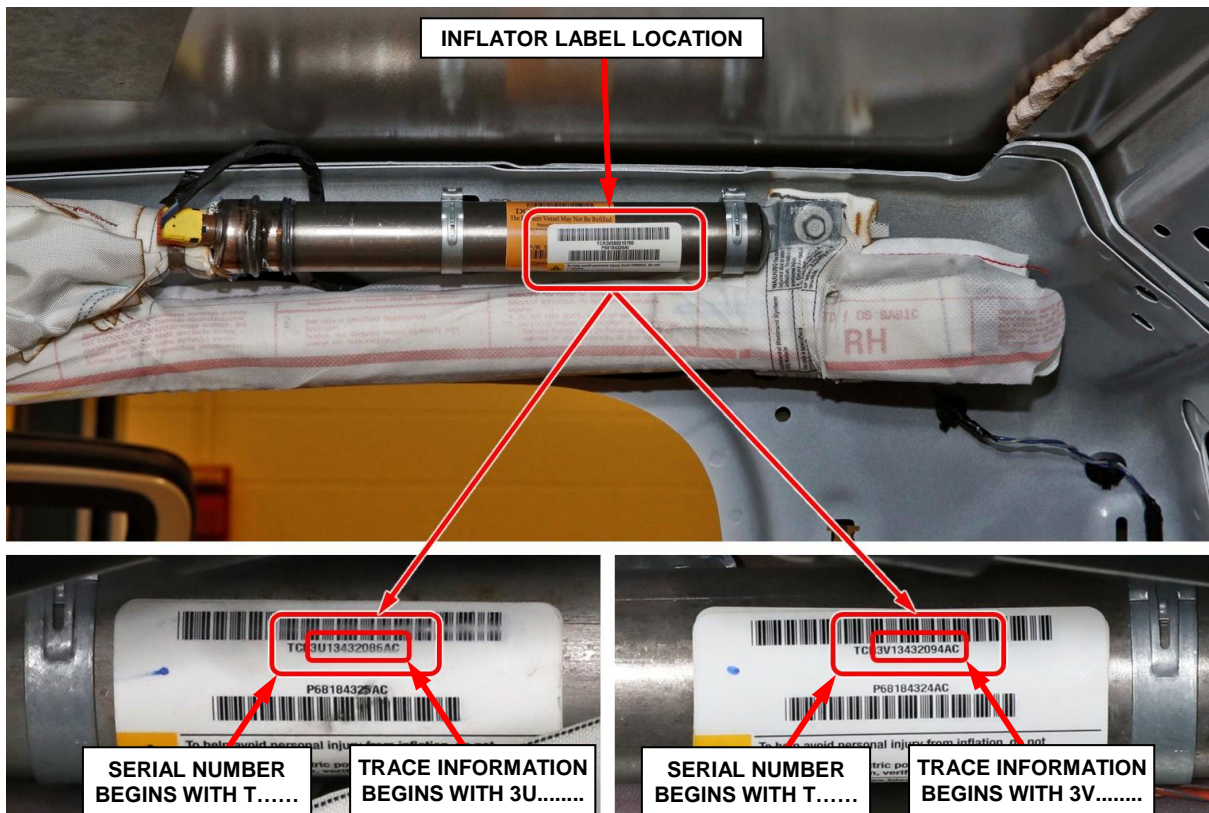
**Figure 53 – Headliner Harness**

**Service Procedure [Continued]**

34. Inspect the Right Side SABIC inflator trace number. (Figure 54): Compare the trace information to chart below.

Trace	For Cab Config	Part number
3V048120383	Crew	CSSLY551AA
ZL2521B1792	Quad	CSSLY554AA
ZL2521B1806	Quad	CSSLY554AA
ZL2521B1808	Quad	CSSLY554AA
ZR2531B2549	Quad	CSSLY553AA
ZR2541C0008	Quad	CSSLY553AA
ZR2551B0006	Quad	CSSLY553AA
ZR2781B1270	Crew	CSSLY551AA
ZR2951B2375	Crew	CSSLY551AA
ZR3011A1012	Crew	CSSLY551AA
ZR3011B2253	Crew	CSSLY551AA

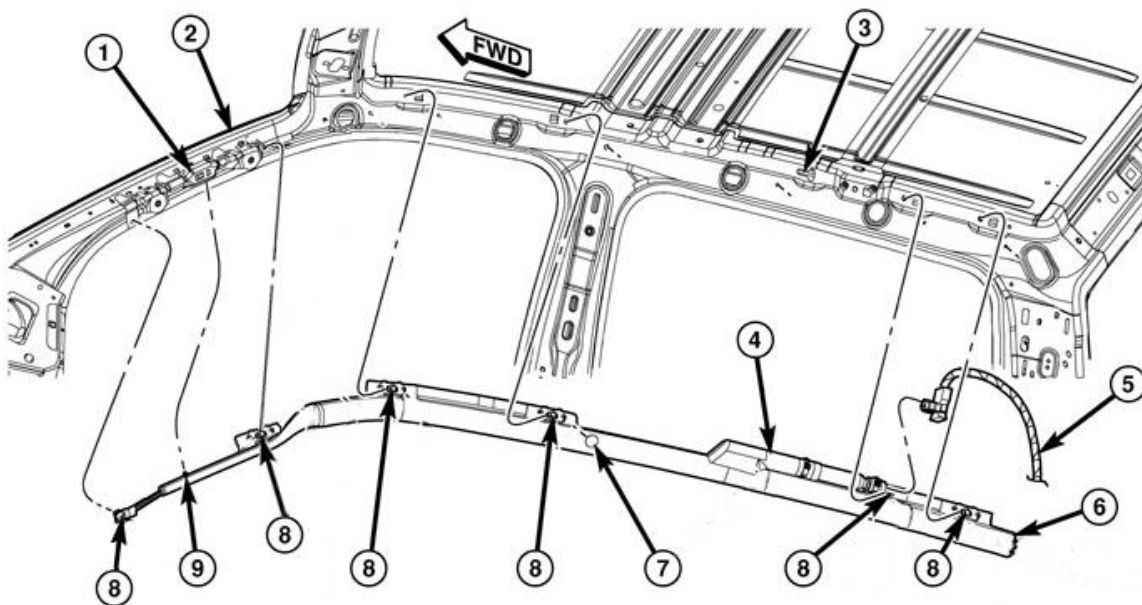
- Suspect inflator – replace SABIC, proceed to step 35.
- Not-suspect inflator – do not replace SABIC, proceed to step 46.

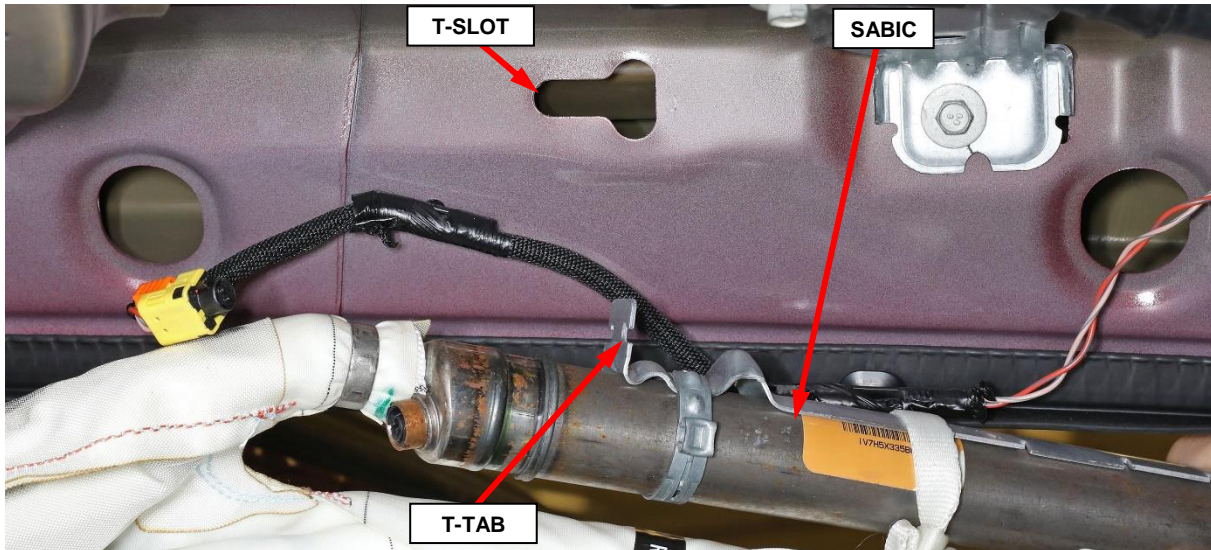


**Figure 54 – SABIC Inflator Serial Number Trace Information Inspection**

**Service Procedure [Continued]**

35. The body wire harness connector (5) is secured by integral latches to the connector receptacle on the inflator (4). Pinch both latches firmly, then pull the connector straight out from the airbag inflator to disconnect it from the connector receptacle (Figure 55).
36. Remove the six bolts (8) that secure the side curtain airbag (6) to the inner roof rail and A-pillar (Figure 55).
37. Disengage the plastic push-in retainer (9) that secures the side curtain airbag tether to the inner A-pillar (1) and the plastic push-in retainer (7) that secures the side curtain airbag to the inner roof rail (Figure 55).
38. Slide the inflator rearward far enough to disengage the T-tab at the front of the inflator bracket from the keyed T-slot in the inner roof rail over the rear door opening (Figure 56).
39. Remove the SABIC (6) from the vehicle as a unit and **DISCARD** following local ordinances and recommended procedures for handling and disposal of Non-Deployed Supplemental Restraints (Figure 55).

**Figure 55 – SABIC**

**Service Procedure [Continued]**

**Figure 56 – SABIC Inflator T-Tab and Inner Roof Rail T-Slot**

40. Check to be certain that the spring nuts are properly installed in the inner roof rail and that they are in good condition.
41. Position the **NEW SABIC** (6) into the vehicle as a unit (Figure 55).
42. Insert the T-tab at the front of the inflator bracket into the keyed T-slot in the inner roof rail over the rear door opening and slide the inflator forward to engage it (Figure 56).
43. Engage the plastic push-in retainer (7) that secures the side curtain airbag to the inner roof rail and ensure the tether is not twisted then engage the plastic push-in retainer (9) that secures the side curtain airbag front tether to the assist handle bracket on the inner A-pillar (1) (Figure 55).
44. Working from rear to front, install and tighten the seven bolts (8) that secure the side curtain airbag (6) to the inner roof rail and A-pillar. Tighten the bolts to 7 N·m (62 in. lbs.) (Figure 55).
45. Connect the body wire harness connector (5) for the side curtain airbag to the connector receptacle of the inflator (4). Be certain that each connector is fully engaged in its receptacle by listening carefully for a distinct, audible click as the connector latches snap into place (Figure 55).

**Service Procedure [Continued]**

**CAUTION: Hands should be clean or clean cloth gloves used when handling the headliner to avoid damage to the headliner.**

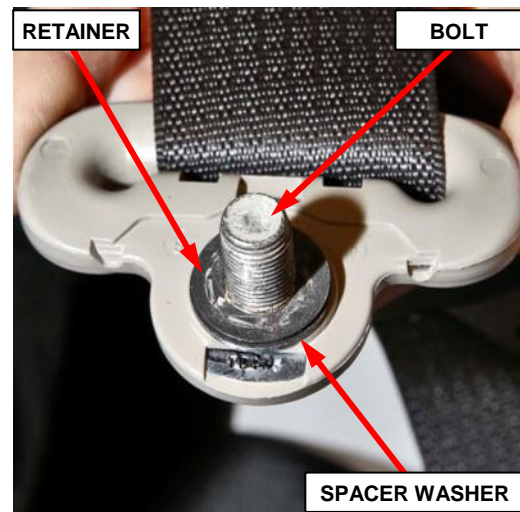
46. Raise the headliner into proper vehicle position and connect any electrical connectors previously disconnected from the headliner (Figure 53).

**CAUTION: Be certain to avoid any wiring or drain tube interference.**

47. Position the coat hooks (5) onto the headliner and install the screws tightening securely into the mounting clips then close the screw cap fully (Figure 51).
  48. Position the visor supports (1) onto the headliner and install the screws into the mounting clips (Figure 45).
  49. If equipped with illuminated vanity mirror, connect the wire harness connector.
  50. Position the visor to the headliner and install the screws (2) that secure the visor to the roof panel. Tighten the screws to 6 N·m (53 in. lbs.) (Figure 50).
  51. Reattach any headliner wiring harness clips (3) removed from the A-pillar to allow slack while lowering headliner (Figure 52).
  52. If equipped with DVD monitor, connect the DVD monitor electrical connectors (1) (Figure 58). Position the DVD monitor to the roof then install and tighten the screws (2) (Figure 53).
  53. Position the upper trim panel to the C-pillar then engage the retaining clips (Figure 56).
  54. Position the C-pillar lower trim panel and engage the retaining clips (Figure 42).
- NOTE: Ensure that all C-pillar fasteners are installed/engaged properly.**
55. Install and tighten the screw that secures the C-pillar upper trim panel. Then install the airbag applique (Figure 41).

**Service Procedure [Continued]**

56. Install the B-pillar upper trim panel (1) and engage the retaining clips fully (Figure 40).
57. Install the grab handle bolts (3) and tighten to 5 N·m (44 in. lbs.). Close the fastener covers (2) (Figure 40).
58. Remove and **DISCARD** the bolt retainer and the bolt from the seat belt turning loop, save the spacer washer for reuse (Figure 57).
59. Using a **NEW** bolt and reusing the spacer washer, install the turning loop then tighten the bolt to 40 N·m (30 ft. lbs.) (Figure 39).
60. Install the seat belt turning loop cover (Figure 39).
61. Position the B-pillar lower trim panel and engage the retaining clips fully (Figure 38).
62. Position the front and rear door sill scuff plates and engage the retainers (Figure 37).
63. Position the rear seat assembly into the vehicle. lift the seat hooks (3) onto the brackets (1 and 2) (Figure 36).
64. Install the rear seat front bolts (1) (Figure 35).
65. Loosely install the seat belts (3) and bolts (4) (Figure 35).
66. Install the remaining bolts (1) then tighten all bolts to 47 N·m (35 ft. lbs.) (Figure 35).

**Figure 57 – Turning Loop Bolt**

**Service Procedure [Continued]**

67. Position the shoulder belt (2) into place and install the bolt (1). Tighten the bolt to 23 N·m (17 ft. lbs.) (Figure 33).
68. If equipped, connect the rear seat electrical connectors (1) (Figure 32).
69. If equipped with subwoofer, position the subwoofer (2) to vehicle. Connect the electrical connector. Install and tighten the mounting fasteners (1) then lower the seat (Figure 31).

**WARNING: Do not connect the negative battery cable at this time. The Supplemental Restraint System (SRS) Verification Test procedure should be performed following service of any SRS component.**

**NOTE: The following procedure should be performed using a diagnostic scan tool to verify proper Supplemental Restraint System (SRS) operation following the service or replacement of any SRS component. Refer to the appropriate diagnostic procedures.**

70. During the following test, the negative cable remains disconnected and isolated from the battery, as it was during the Supplemental Restraint System (SRS) component removal and installation procedures.
71. Be certain that the diagnostic scan tool contains the latest version of the proper diagnostic software. Connect the scan tool to the 16-way Data Link Connector (DLC). The DLC is located on the driver side lower edge of the instrument panel, near the steering column opening cover and outboard of the steering column.
72. Transition the status of the ignition switch (also known as the Keyless Ignition Node/KIN or Ignition Node Module/IGNM) to ON and exit the vehicle with the scan tool.
73. Check to be certain that nobody is in the vehicle, then connect the negative cable to the battery.



**Service Procedure [Continued]**

74. Using the scan tool, read and record the active (current) Diagnostic Trouble Code (DTC) data.
75. Next, use the scan tool to read and record any stored (historical) DTC data.
76. If any SRS related DTC is found in the previous two steps, refer to the appropriate diagnostic information.
77. Use the scan tool to erase the stored DTC data. If any problems remain, the stored DTC data will not erase. Refer to the appropriate diagnostic information to diagnose any stored DTC that will not erase. If the stored DTC information is successfully erased, continue to the next step.
78. Transition the status of the ignition switch to OFF for about 15 seconds, and then back to ON. Observe the airbag indicator in the instrument cluster. It should light from four to six seconds, and then go out. This indicates that the SRS is functioning normally and that the repairs are complete. If the airbag indicator fails to light, or lights and stays ON, there is still an active SRS fault or malfunction. Refer to the appropriate diagnostic information to diagnose the problem.
79. Install the front seat headrests (Figure 30).
80. Position the locating tab of the A-pillar trim panel (2) into the slot located in the top of the instrument panel (Figure 30).
81. Install the A-pillar trim panel onto the A-pillar (1) and install the two bolts (4). Tighten the bolts to 5 N·m (44 in. lbs.) (Figure 29).
82. Close the two fastener covers (3) located in the A-pillar trim panel (Figure 29).
83. Install the door seals around the door openings.
84. Return the vehicle to the customer or inventory.

**Completion Reporting and Reimbursement**

Claims for vehicles that have been serviced must be submitted on the DealerCONNECT Claim Entry Screen located on the Service tab. Claims paid will be used by FCA to record recall service completions and provide dealer payments.

Use the following labor operation numbers and time allowances:

	<b><u>Labor Operation Number</u></b>	<b><u>Time Allowance</u></b>
Inspect SABICs <i>(Inspection LOP 23-Z0-71-81 must be combined with the Related Inspection LOP below)</i>	23-Z0-71-81	0.1 hours
Replace One SABIC (Crew, Quad Cab)	23-Z0-71-82	2.5 hours
Replace Two SABICs (Crew, Quad Cab)	23-Z0-71-83	2.8 hours

**Related Operation**

Remove headliner to inspect Left and Right SABIC <i>Related LOP is to be combined with inspection LOP 23-Z0-71-81 ONLY</i>	23-Z0-71-50	2.2 hours
---	-------------	-----------

Floor Plan Reimbursement	95-95-95-97	Calculate See Below
--------------------------	-------------	------------------------

Floor Plan Reimbursement represents the vehicle's average daily allowance (see table below) multiplied by the number of days the vehicle was in dealer inventory and not available for sale. This reimbursement is limited to the number of days from the date of the stop sale to the date that the remedy was made available. Note: If the vehicle was received by your dealership (KZX date) AFTER the stop sale date, you will use the KZX date instead of the stop sale date. For this Recall, the stop sale was initiated on **01/14/2022** and the remedy was made available on **01/21/2022**, therefore, the number of days cannot exceed **7** days.

<b>Vehicle</b>	<b>Average Daily Allowance</b>
<b>2021 - 2022 (DS) Ram 1500 Pickup</b>	■
<b>2021 - 2022 (DJ) Ram 2500 Pickup</b>	■
<b>2021 - 2022 (D2) Ram 3500 Pickup</b>	■

**NOTE:** See the Warranty Administration Manual, Recall Claim Processing Section, for complete recall claim processing instructions.

## Dealer Notification

To view this notification on DealerCONNECT, select “Global Recall System” on the Service tab, then click on the description of this notification.

## Owner Notification and Service Scheduling

All involved vehicle owners known to FCA are being notified of the service requirement by first class mail. They are requested to schedule appointments for this service with their dealers. A generic copy of the owner letter is attached.

## Vehicle Lists, Global Recall System, VIP and Dealer Follow Up

All involved vehicles have been entered into the DealerCONNECT Global Recall System (GRS) and Vehicle Information Plus (VIP) for dealer inquiry as needed.

GRS provides involved dealers with an updated VIN list of their incomplete vehicles. The owner’s name, address and phone number are listed if known. Completed vehicles are removed from GRS within several days of repair claim submission.

To use this system, click on the “**Service**” tab and then click on “**Global Recall System.**” Your dealer’s VIN list for each recall displayed can be sorted by: those vehicles that were unsold at recall launch, those with a phone number, city, zip code, or VIN sequence.

**Dealers must perform this repair on all unsold vehicles before retail delivery.** Dealers should also use the VIN list to follow up with all owners to schedule appointments for this repair.

*Recall VIN lists may contain confidential, restricted owner name and address information that was obtained from the Department of Motor Vehicles of various states. Use of this information is permitted for this recall only and is strictly prohibited from all other use.*

**Additional Information**

If you have any questions or need assistance in completing this action, please contact your Service and Parts District Manager.

Customer Services / Field Operations  
FCA US LLC

This notice applies to your vehicle,

[Model Year and Model]

VIN XXXXXXXXXXXXXXXXXXXX

Z07/NHTSA 21V-925

LOGO

VEHICLE PICTURE

#### YOUR SCHEDULING OPTIONS

**1. RECOMMENDED OPTION**

Call your authorized Chrysler / Dodge / Jeep® / RAM Dealership

**2. Call the FCA Recall Assistance Center at 1-800-853-1403. An agent can confirm part availability and help schedule an appointment**

**3. Visit recalls.mopar.com, scan the QR code below, or download the Mopar Owner's Companion App.**

QR Code

Get access to recall notifications, locate your nearest dealer, and more through this website or Mopar Owner's Companion App. You will be asked to provide your Vehicle Identification Number (VIN) to protect and verify your identity. The last eight characters of your VIN are provided above.

#### DEALERSHIP INSTRUCTIONS

Please reference Safety Recall Z07.

# IMPORTANT SAFETY RECALL

## Side Air Bag Inflatable Curtain

Dear [Name],

This notice is sent to you in accordance with the National Traffic and Motor Vehicle Safety Act.

FCA US has decided that a defect, which relates to motor vehicle safety, exists in certain [2021-2022 (DS) Ram 1500 Pickup, (DJ) Ram 2500 Pickup, (D2) Ram 3500 Pickup] vehicles.

It is extremely important to take steps now to repair your vehicle to ensure the safety of you and your passengers.

#### WHY DOES MY VEHICLE NEED REPAIRS?

Your vehicle <sup>[1]</sup> may have been built with a Side Air Bag Inflatable Curtain (SABIC) assembly containing an inflator with out of specification propellant gas mass. SABIC assemblies with low gas mass may result in non-deployment or low/slow deployment and high gas mass may result in aggressive deployment of the air bag which may increase the risk of occupant injury in certain crashes.

#### HOW DO I RESOLVE THIS IMPORTANT SAFETY ISSUE?

FCA US will repair your vehicle <sup>[2]</sup> free of charge (parts and labor). To do this, your dealer will inspect and if necessary, replace one or both SABIC's as needed. The estimated repair time is 3 hours. In addition, your dealer will require your vehicle for proper check-in, preparation, and check-out during your visit, which may require more time. Your time is important to us, so we recommend that you schedule a service appointment to minimize your inconvenience. Please bring this letter with you to your dealership.

**TO SCHEDULE YOUR FREE REPAIR,  
CALL YOUR CHRYSLER, DODGE, JEEP OR RAM DEALER TODAY**

#### WHAT IF I ALREADY PAID TO HAVE THIS REPAIR COMPLETED?

If you have already experienced this specific condition and have paid to have it repaired, you may visit [www.fcarecallreimbursement.com](http://www.fcarecallreimbursement.com) to submit your reimbursement request online. <sup>[3]</sup> Once we receive and verify the required documents, reimbursement will be sent to you within 60 days. If you have had previous repairs performed and/or already received reimbursement, you may still need to have the recall repair performed.

We apologize for any inconvenience, but are sincerely concerned about your safety. Thank you for your attention to this important matter.

Customer Assistance/Field Operations  
FCA US LLC



**Mr. Mrs. Customer**  
**1234 Main Street**  
**Hometown, MI 48371**

[1] If you no longer own this vehicle, please help us update our records. Call the FCA Recall Assistance Center at 1-800-853-1403 to update your information.

[2] If your dealer fails or is unable to remedy this defect without charge and within a reasonable time, you may submit a written complaint to the Administrator, National Highway Traffic Safety Administration, 1200 New Jersey Ave., S.E., Washington, DC 20590, or you can call the toll-free Vehicle Safety Hotline at 1-888-327-4236 (TTY 1-800-424-9153), or go to [safercar.gov](http://safercar.gov).

[3] You can also mail in your original receipts and proof of payment to the following address for reimbursement consideration: FCA Customer Assistance, P.O. Box 21-8004, Auburn Hills, MI 48321-8007, Attention: Recall Reimbursement.

Note to lessors receiving this recall notice: Federal regulation requires that you forward this recall notice to the lessee within 10 days.