

---

**November 22, 2021**

Version 2

## Safety Recall: 2021–22 CR-V Second Row Center Seat Belt Replacement

Supersedes 21-089, dated November 19, 2021, to revise the information highlighted in **yellow**.

### AFFECTED VEHICLES

Year	Model	Trim	VIN Range
2021–22	CR-V	ALL	Check the iN VIN status for eligibility.

### REVISION SUMMARY

Under PARTS INFORMATION, the pillar clips quantity was changed.

### BACKGROUND

The Automatic Locking Retractor (ALR) function on the second row center seat belt assembly may improperly deactivate. If the seat belt webbing is pulled out to the end and the ALR deactivates, the seat belt webbing can retract or extend freely, preventing proper child seat restraint with the seat belt. ALR deactivation does not comply with the requirements of FMVSS 208, *Occupant Crash Protection*, increasing the risk of injury to the child seat occupant.

### CUSTOMER NOTIFICATION

Owners of affected vehicles will be sent a notification of this campaign.

Do an iN VIN status inquiry to make sure the vehicle is shown as eligible.

Some vehicles affected by this campaign may be in your new or used vehicle inventory.

Failure to repair a vehicle subject to a recall or campaign may subject your dealership to claims or lawsuits from the customer or anyone else harmed as a result of such failure. To see if a vehicle in inventory is affected by this safety recall, do a VIN status inquiry before selling it.

### CORRECTIVE ACTION

Replace the second row center seat belt assembly.

**CUSTOMER INFORMATION:**The information in this bulletin is intended for use only by skilled technicians who have the proper tools, equipment, and training to correctly and safely maintain your vehicle. These procedures should not be attempted by “do-it-yourselfers,” and you should not assume this bulletin applies to your vehicle, or that your vehicle has the condition described. To determine whether this information applies, contact an authorized Honda automobile dealer.

**PARTS INFORMATION**

Part Name	Part Number	Quantity
Pillar Clip	91561-SJD-003	4
Pillar Clip	91561-T8N-T01	2
Rear Center Seat Belt Assembly (Atlas Gray)	04829-TLA-A00ZC	1
Rear Center Seat Belt Assembly (Neutral Black)	04829-TLA-A00ZB	1

**WARRANTY CLAIM INFORMATION**

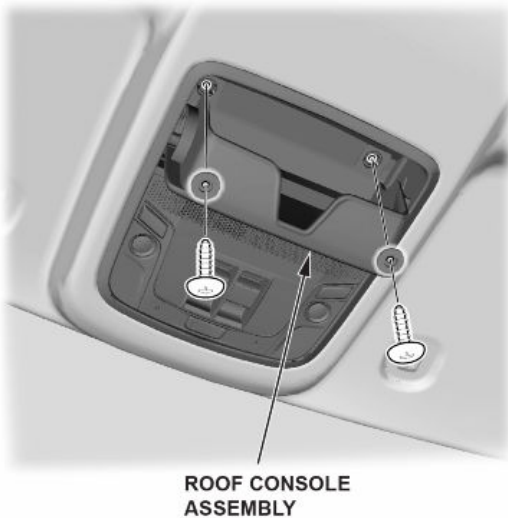
Operation Number	Description	Flat Rate Time	Defect Code	Symptom Code	Template ID	Failed Part Number
8551F1	Replace the second row center seat belt assembly.	2.1 hr	6AL00	NBQ00	A21089A	04829-TLA-A00ZB (Neutral Black)
8551F1	Replace the second row center seat belt assembly.	2.1 hr	6AL00	NBQ00	A21089B	04829-TLA-A00ZC (Atlas Gray)

## REPAIR PROCEDURE

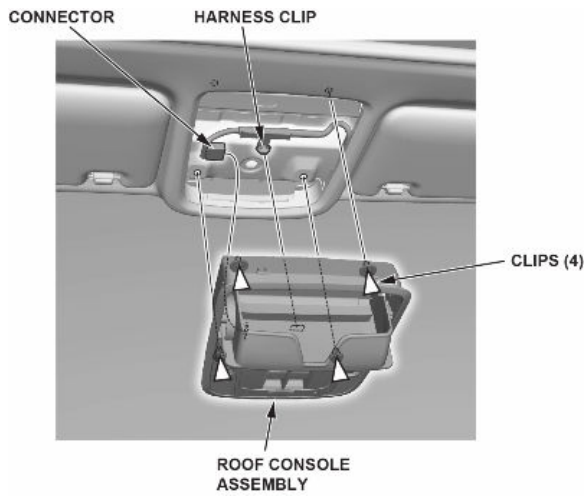
1. Disconnect the 12 Volt Battery Terminal.
2. Remove both A-Pillar Trims.
3. Remove both B-Pillar Upper/Lower Trims.
4. Remove both Quarter Pillar Trims.
5. Remove the Ceiling Light (if equipped).
6. Remove the Rear Individual Map Light, if equipped.
7. Remove the Grab Handles.
8. Remove both Sunvisors and Sunvisor Holders.
9. Disconnect the Rearview Mirror Connector, if equipped.
10. Disconnect the Automatic Lighting/Rain Sensor Connector, if equipped.
11. Disconnect the Multipurpose Camera Unit Connector, if equipped.
12. Remove the Rear Roof End Trim.
13. Remove the Roof Console Assembly:

### *With Panoramic Glass Roof*

- Open the roof console assembly, then remove the two screws.

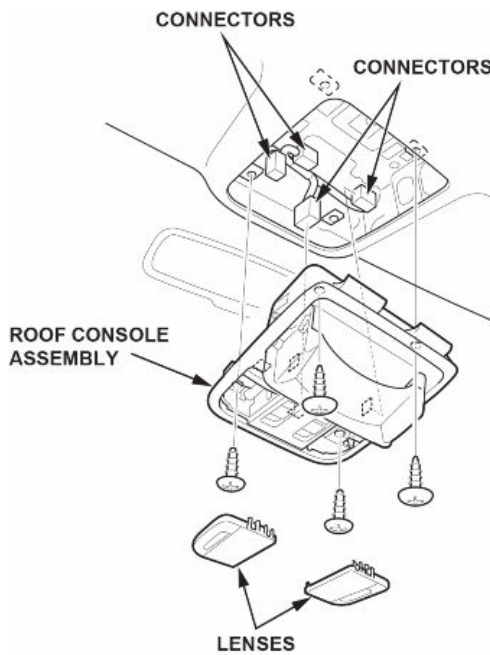


- Remove the roof console assembly then, disconnect the connector and remove the harness clip.



*Without Panoramic Glass Roof*

- Remove the two lenses and four fasteners.

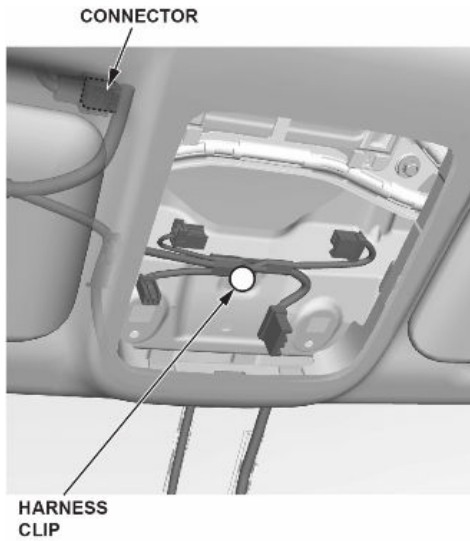


- Disconnect the connector(s) (if equipped).
- Remove the roof console assembly.

14. Remove Headliner:

NOTE: Carefully handle the headliner making sure not to bend or damage it.

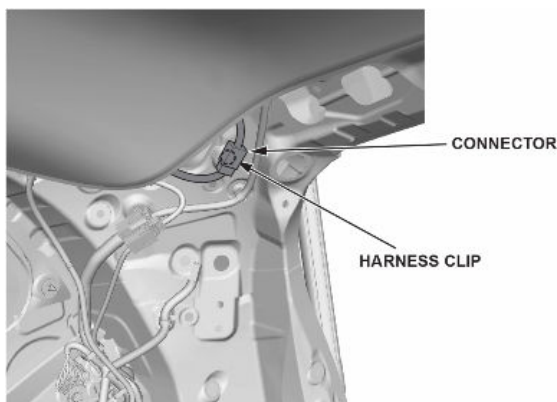
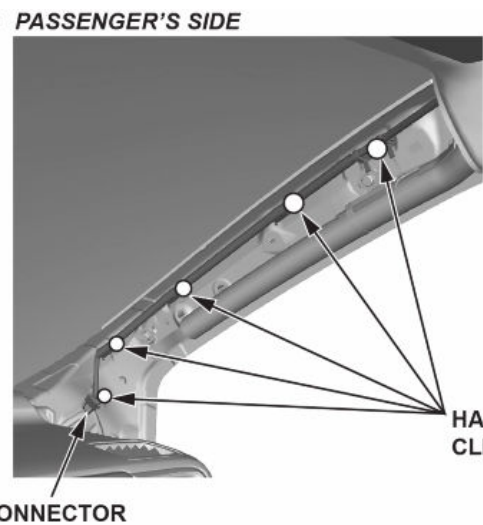
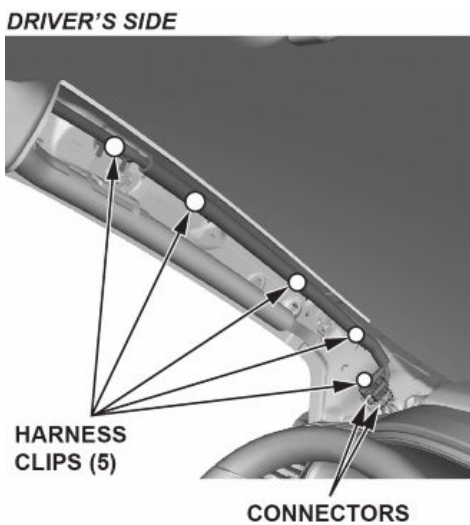
14.1. Release the harness clip.



14.2. Disconnect the connector (if equipped).

14.3. Disconnect the connectors, and release the harness clips.

NOTE: The positions and number of connectors vary depending on models.

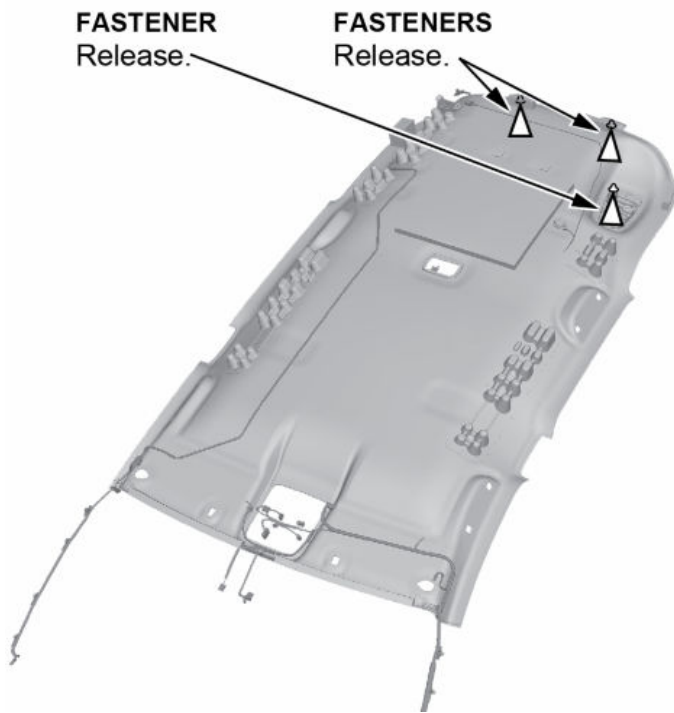


14.4. Slide the front seats all the way back, and recline the seat-back fully.

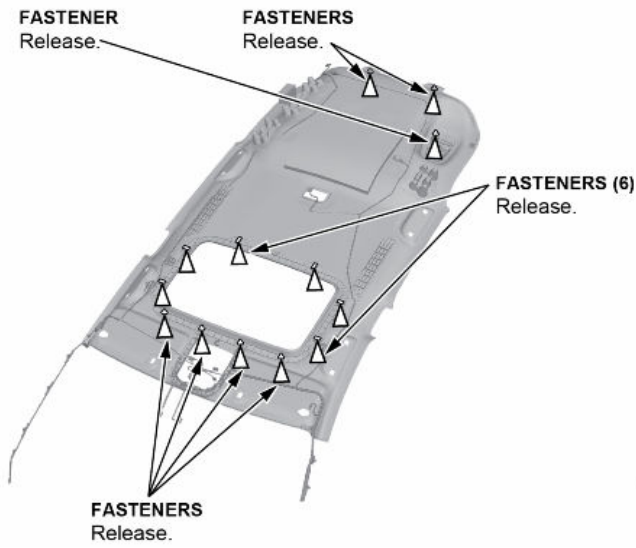
14.5. Fold down the rear seats.

14.6. With the help of an assistant, release the fasteners according to the roof type shown below:

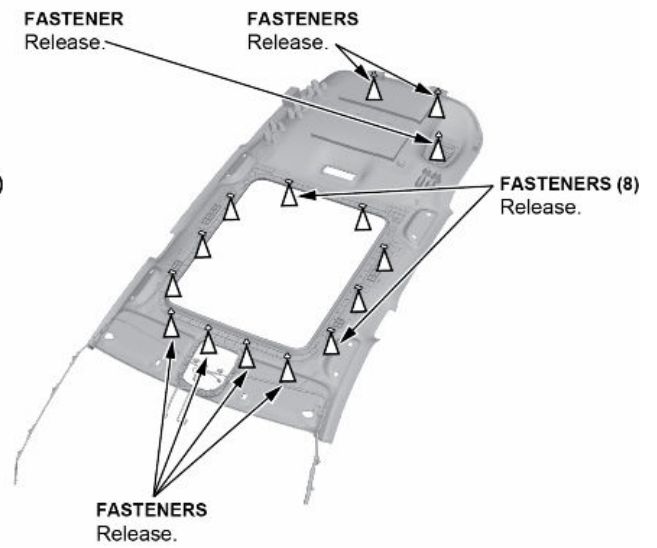
**STANDARD ROOF**



**WITH MOONROOF**

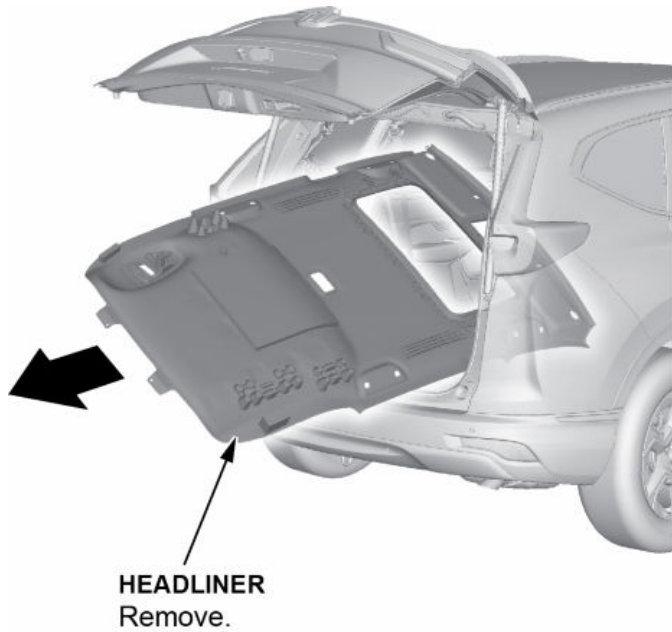


**WITH PANORAMIC GLASS ROOF**



14.7. With the help of an assistant, remove the headliner through the tailgate opening.

NOTE: Do not bend the headliner. Bending the headliner will crease and damage it.

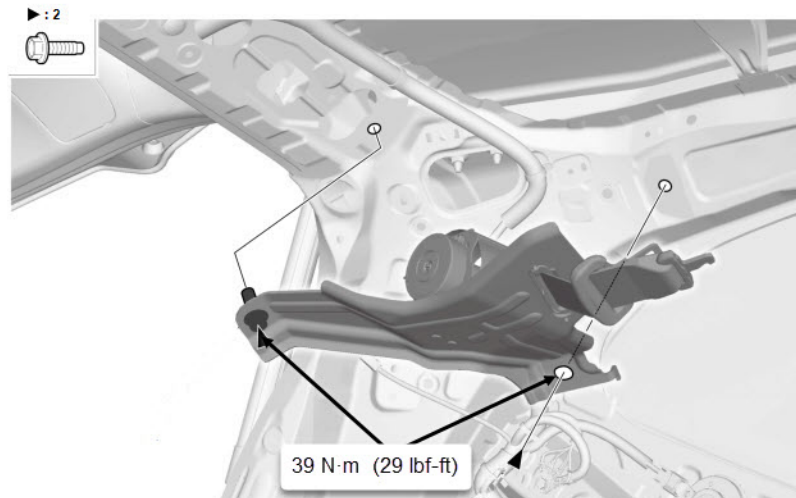


15. Cut the rear center seat belt webbing.



16. Remove and replace the rear center seat belt assembly.

Fastener Locations

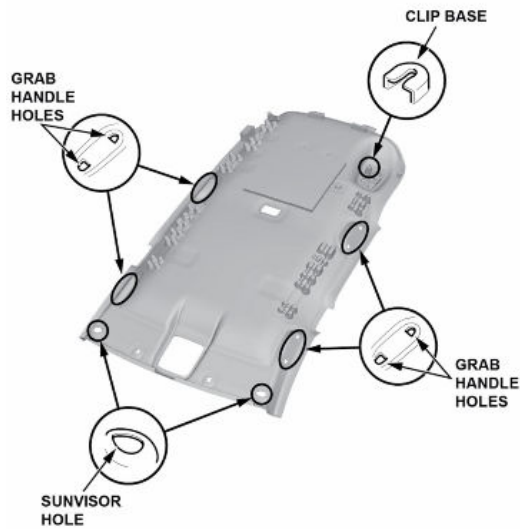


17. Headliner Check:

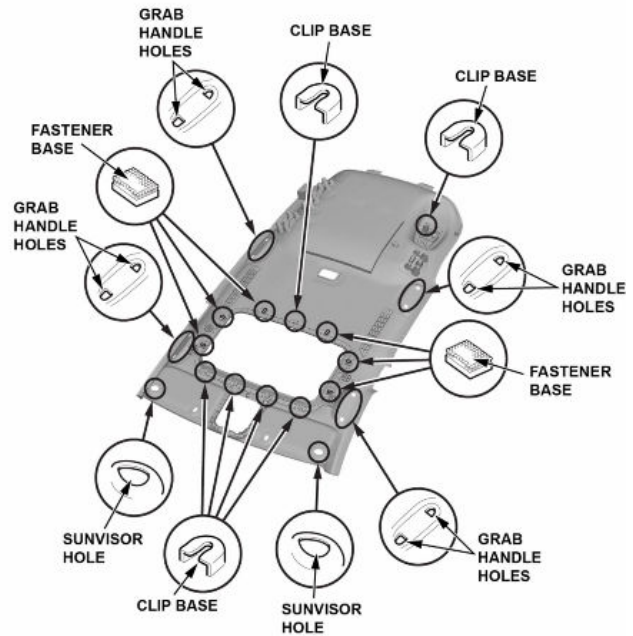
17.1. To prevent the side curtain airbags from improperly deploying and possibly causing injury, inspect the headliner and all removed trim. Replace any pieces that have any of the following damage:

- Any creases or tears in the headliner.
- Any damages around the grab handle holes or the sunvisor holes in the headliner.
- Any fastener bases or any clip bases which have come off the headliner Fastener.

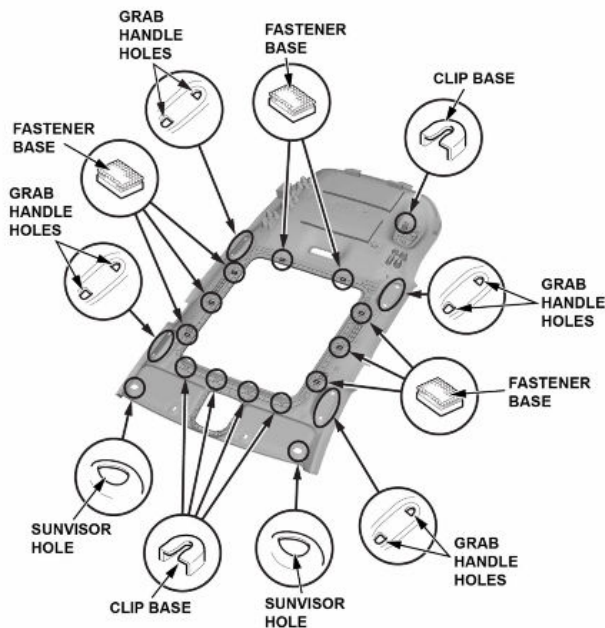
STANDARD ROOF



WITH MOONROOF



WITH PANORAMIC GLASS ROOF



18. Install the parts in the reverse order of removal.

END