



The People You Know. The Products You Trust.

## October 2021

Safety Recall  
21V-816

### M6 Avalanche Outside Switch Guard & Warning Decals

#### Avalanche M6TE, M6SE & M6SE CNG Models

This Switch Guard/DANGER/WARNING decal kit has been developed to prevent unintended activation of the outside controls and to warn all persons to remain clear of the area between the hopper and conveyor of energized sweepers.

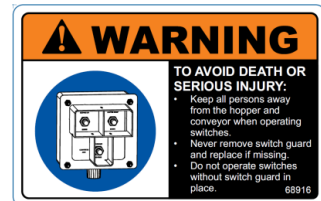
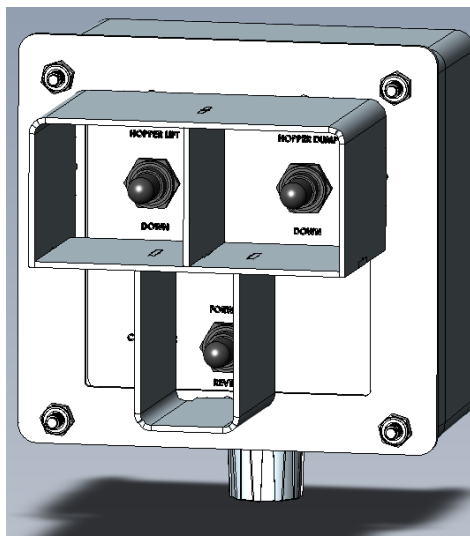
**Note: Always shut off all engines, deactivate equipment, and remove keys anytime inspecting or servicing the sweeper. Never step on the switch control box or switch guard under any circumstances.**

#### Updates to Outside Controls: Kit (204Z16)

- Addition of Switch Guard (651326) to the face of Switch Control Box as described on page 2 of this bulletin.
- Addition of WARNING decal with part number (68916) to the top of Switch Control Box as shown on page 2 of this bulletin.

#### Updates to Each Side of Conveyor Opening on Hopper:

- Addition of two (2) DANGER decals with part number (68915), one (1) decal on each side of conveyor opening on hopper as shown on pages 3 and 4 of this bulletin.

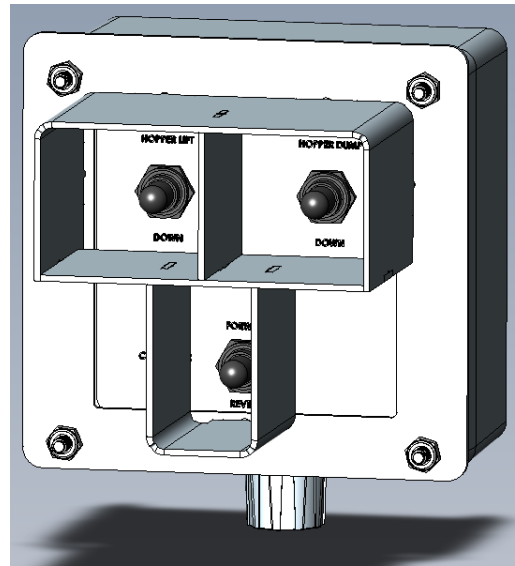
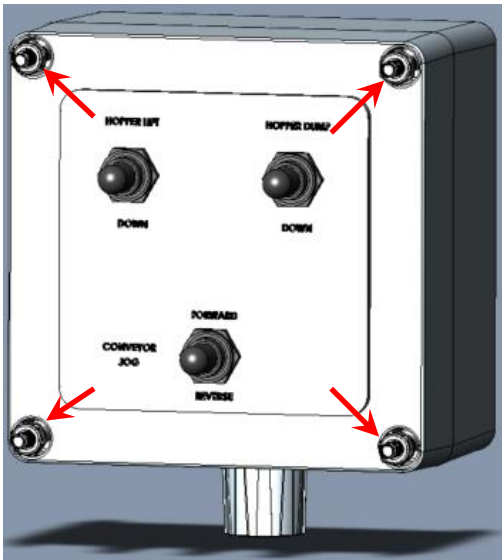


Schwarze Industries, Inc.  
1055 Jordan Road  
Huntsville, AL 35811  
800-879-7933  
www.schwarze.com

# 1.800.879.7933



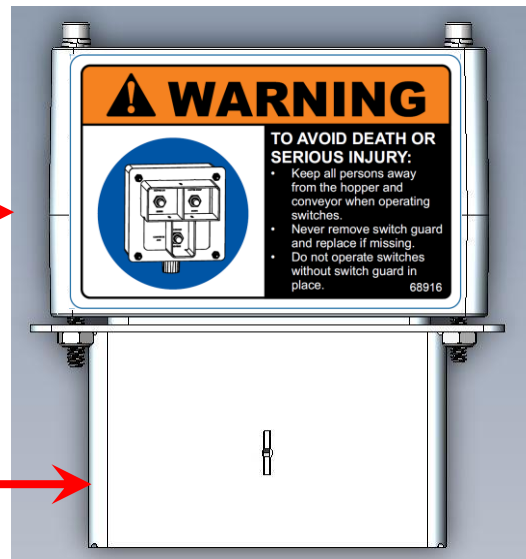
# Switch Guard Installation and WARNING Decal Placement



- Remove (4) four plastic fasteners from front of Switch Control Box's (4) corner holes.
- Using a 3/16" drill bit, open up pass through holes in (4) corner holes, from the back.
- Insert (4) 10-24 x 3-1/2" socket cap screws into the (4) corner holes, from the back.
- Place Switch Guard (651326) in place over (4) bolts with flat washers, add hex lock nuts and tighten using a 3/8" socket and 5/32" Allen wrench.
- Clean top surface of Switch Control Box.
- Place WARNING decal with part number (68916) on top of Switch Control Box as shown below.

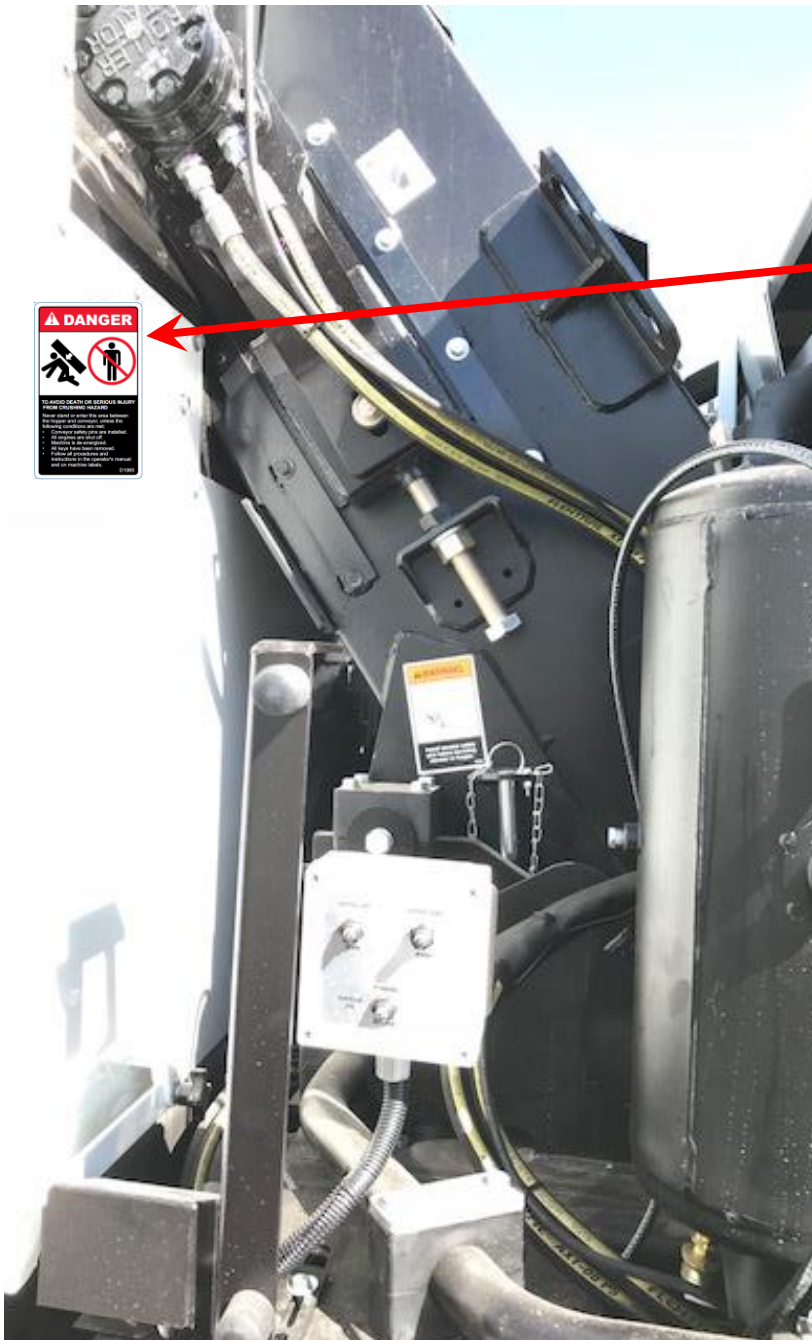
Place WARNING Decal  
Part Number 68916  
Here on top of Switch  
Control Box

Switch Guard 651326



# DANGER Decal Placement

- Clean area where decals will be placed.
- Place (2) two DANGER decals with part number 68915, (1) one decal on each side of conveyor opening on hopper as shown.



- **Left hand side of hopper**

# Decal Placement

- Right hand side of hopper



**⚠ DANGER**

**TO AVOID DEATH OR SERIOUS INJURY FROM CRUSHING HAZARD**

Never stand or enter this area between the hopper and conveyor, unless the following conditions are met:

- Conveyor safety pins are installed.
- All engines are shut off.
- Machine is de-energized.
- All keys have been removed.
- Follow all procedures and instructions in the operator's manual and on machine labels.

68915