



# Thor Motor Coach Recall Repair Instructions

Recall #	<b>21V-756 2021-599</b>		
Description/Title:	<b>Venetian Patio Awning</b>		
Affected Product Line(s):	<b>Certain model year 2021 &amp; 2022 Venetian motorhomes</b>		
Service Campaign # :	<b>RC000244</b>	Released Date:	<b>11/22/2021</b>
Repair Code:	<b>Inspect: TMCRC10105Y  Inspect &amp; Repair: TMCRC10105V</b>	Document Date:	<b>11/22/2021</b>
Time Allowed:	<b>Inspect: 0.3  Inspect &amp; Repair: 1.5</b>	Document Revision:	<b>A</b>

### Issue:

On certain model year 2021 & 2022 Venetian motorhomes, the patio awning was not properly installed on the motorhome. The awning has the potential to separate from the motorhome, which could lead to property damage, personal injury, and/or a crash while the motorhome is in motion.

### Tools Needed:

- Scaffolds or multiple ladders
- Screw Gun/Impact
- Wire cutters/crimper (if needing to remove wiring from motorhome)
- Butt connects (if needing to remove wiring from motorhome)

### Parts Needed:

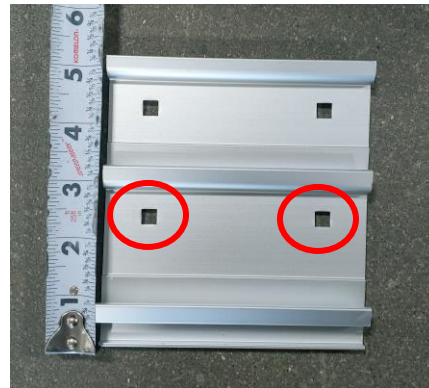
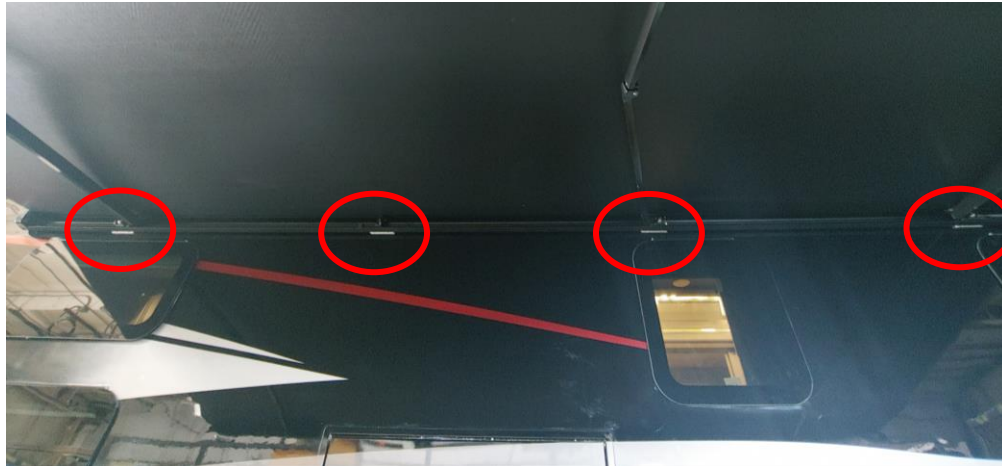
- Additional screws (as needed) – Size ¼”- 14 X 1 - 1/2”



## Thor Motor Coach Recall Repair Instructions

### Instructions:

1. Run patio awning all the way out. Using two (2) techs (either on ladders or scaffolding), have one lift up on middle end to provide a small gap between where the brackets meet the motorhome. Slide an inspection gauge in between the motorhome and brackets (a good item is a business card).

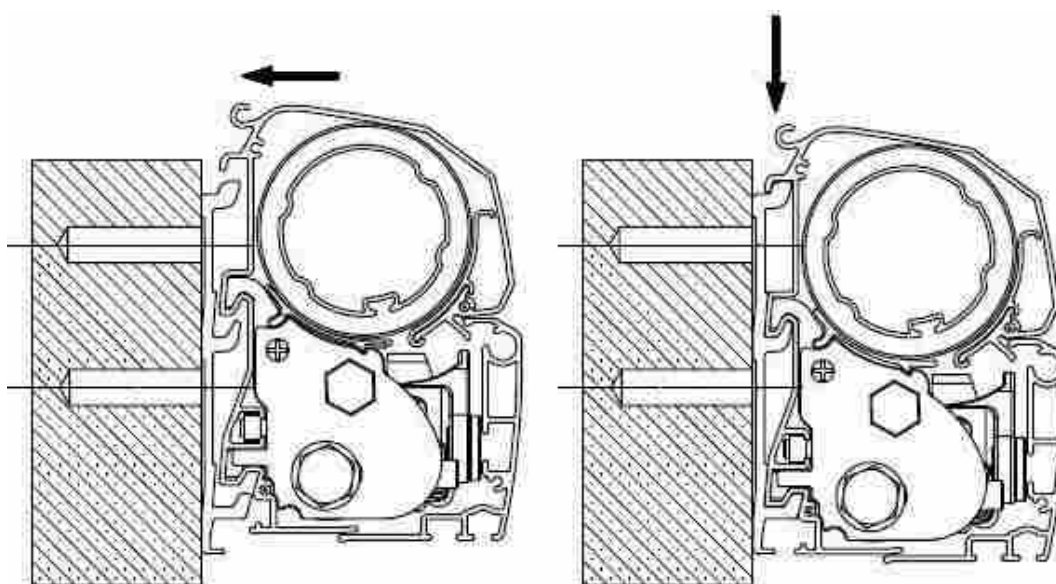


- a. If it stops 2 ½ inches, it means the bottom screws are installed and no further repair is needed.
  - b. If it goes up any higher during inspection, bottom screws are missing and will need to be installed.
2. To install missing screws, awning will need to be removed from motorhome and then re-mounted once done. ***Reference following pages for Girard's procedure on re-mounting the awning.***



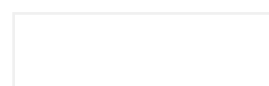
## **C. MOUNTING THE AWNING.**

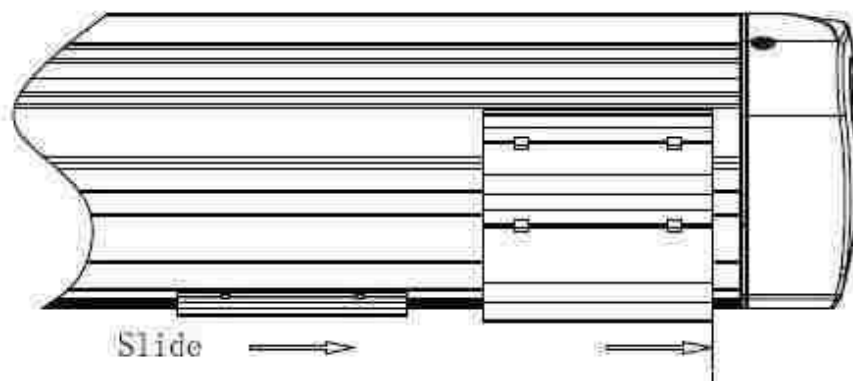
1. Lift the awning into position for fastening to the vehicle mounted brackets.
  - a. Ladders are usually sufficient; however, a scaffold or forklift may be used.
  - b. If using a forklift use all necessary caution to protect the surface of the awning. Lift from the center of the awning to maintain product balance while elevating.
2. Place the awning onto the brackets while feeding the motor power cable through the hole. A small amount of lubricant may aid the feeding of the cable. Make sure the grooves of the awning are securely engaged into the channels on the bracket. (Figure 4)



(Figure 4)

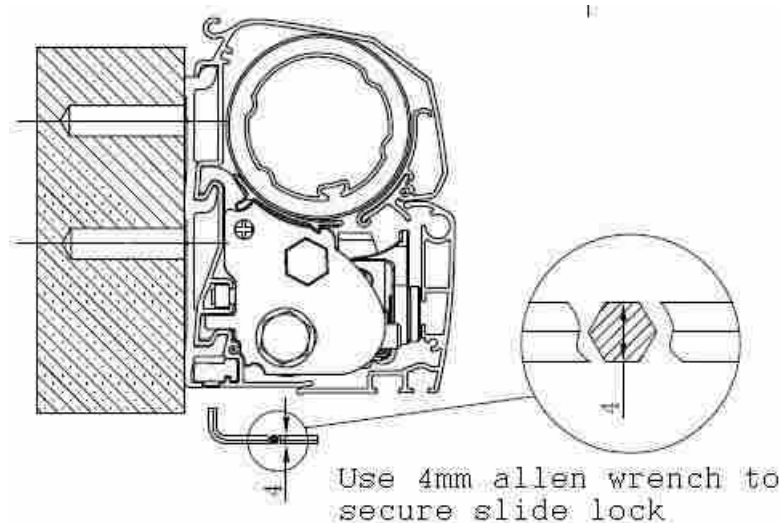
3. Secure the awning by moving the slide locks along the bottom awning track until they are located under their respective brackets (Figure 5). The final position of the slide lock should be directly under the shoulder of the arm.





(Figure 5)

4. Once the final location of the slide locks has been achieved, tighten both set screws on each slide lock with a 4mm Allen wrench (Figure 6). This secures the awning in place.



(Figure 6)

**(OPTIONAL, WEATHER STRIPPING NOT INCLUDED, SIDEWALL APPLICATION ONLY)**

1. Trim weather stripping to the length of the awning and remove any overhang.
2. Make a small cut in the weather stripping to allow for the motor cord.
3. Apply generous beads of silicone along the weather stripping.
4. Push weather stripping firmly into place.
5. Wipe off excess silicone.

