



Thor Motor Coach Recall Repair Instructions

Recall #	21V-754 2021-601		
Description/Title:	LP Hose Routing		
Affected Product Line(s):	Certain model year 2021-2022 Magnitude & Omni motorhomes		
Service Campaign # :	RC000242	Released Date:	11/15/2021
Repair Code:	Inspect Only: TMCRC10103Y Inspect & Repair: TMCRC10103V	Document Date:	11/15/2021
Time Allowed:	Inspect Only: 0.2 Inspect & Repair: 0.5	Document Revision:	A

Issue:

On certain model year 2021-2022 Magnitude and Omni motorhomes, the LP hose may have been inadvertently ran through the rear suspension leaf springs during production. The LP hose has the potential to rub on the leaf springs and possibly lead to a leak in the LP hose. This could cause a fire, which could result in serious injury or death.

Tools Needed:

- Drill/Screw Gun
- Self-Tapping Screws

Parts Required:

- **Shop Supplies**
Additional p-clamps (as needed)
*NOTE- Please be sure to include cost of shop supplies (i.e. p-clamps) during claim process (not to exceed \$5).
- **LP Hose Replacement (as needed) – order as unlisted by length of hose**



Thor Motor Coach Recall Repair Instructions

Instructions:

IMPORTANT! – Be sure to turn off LP before starting any inspection/repairs.

1. Inspect routing of LP hose in rear axle area in wheel well for presence of excess hose that has possibility of rubbing on rear suspension leaf springs. Reference the attached prints by floor plan as needed.
 - a. There should be three (3) p-clamps (front, middle, rear). Add clamps over the wheel well as needed to eliminate the concern of the LP line falling in that area.
 - b. If LP hose looks like below photo, re-routing will be required.



2. Attempt to pull excess slack of hose to rear of motorhome as shown in below photos, eliminating slack and potential for sagging. If excess hose is present, securement will be required. Use additional p-clamps to secure any excess that may be present.

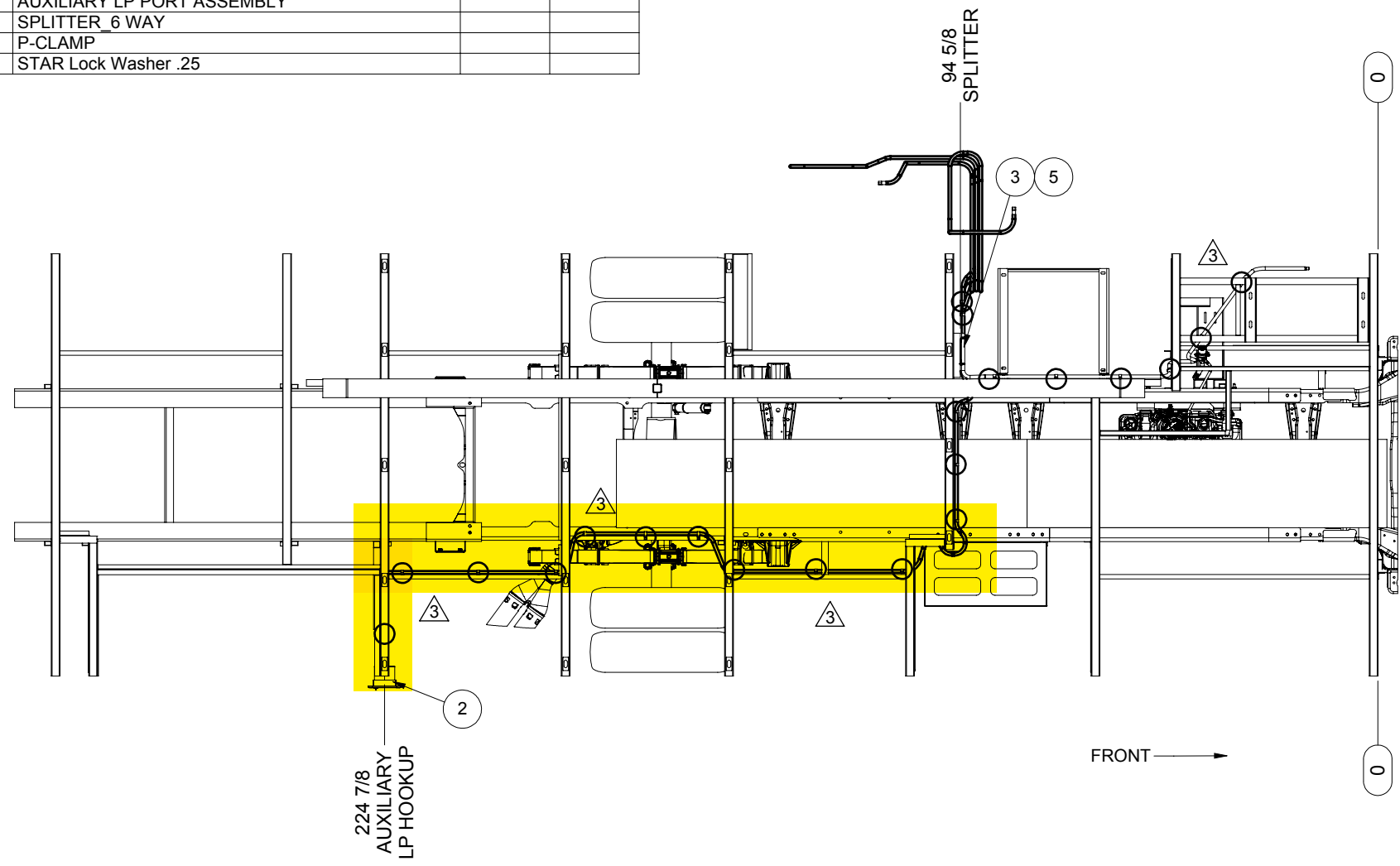




Thor Motor Coach Recall Repair Instructions

3. If any damage to hose has occurred, replacement will be necessary. This will take approximately 1 hour. Add the additional time to replace the hose to the pre-authorization when using code TMCRC10103V.
 - a. Once the hose has been replaced and properly secured, perform an LP test to ensure it is working properly. Be sure to add this time to pre-authorization.

BOM				
NO	QTY	DESCRIPTION - W x L (GRAIN)	SIZE A	SIZE B
1	1	MANIFOLD, FLEXIBLE LP (TLP0479)		
2	1	AUXILIARY LP PORT ASSEMBLY		
3	1	SPLITTER_6 WAY		
4	24	P-CLAMP		
5	2	STAR Lock Washer .25		



NOTE: - ANY EXCESS HOSE FOR APPLIANCES MUST BE COILED UP AND SECURED ABOVE FLOOR
 - PROTECT LP LINES FROM SHARP CORNERS
 ○ INDICATES P-CLAMP LOCATION

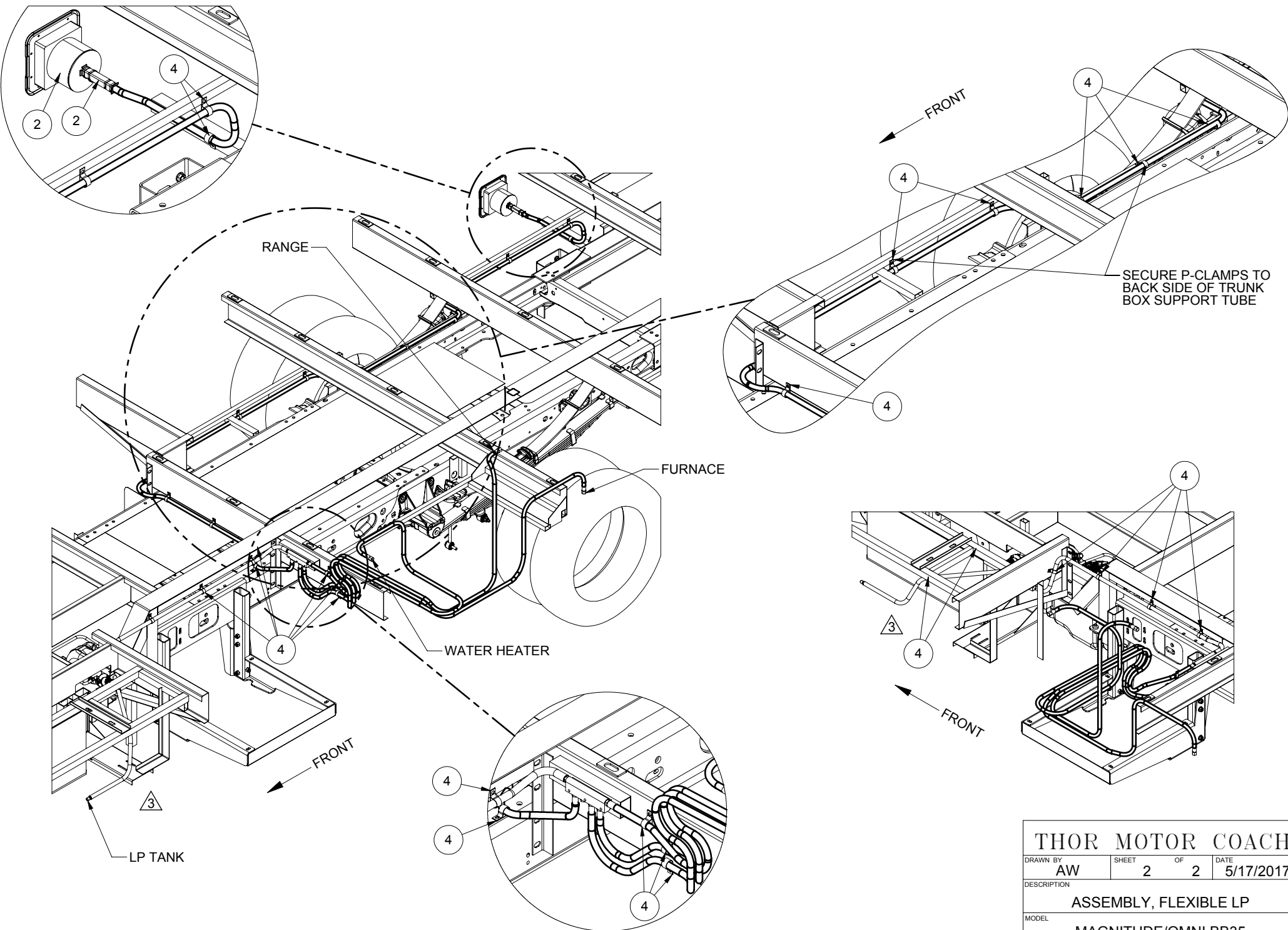
REV	DESCRIPTION	DATE	BY	ECN
-	INITIAL RELEASE - REPLACES TLP0278	5/17/2017	AW	13955
1	REVISE CUTLIST FOR MY 2019	11/16/2017	JTK	14590
2	AJUST P-CLAMP QUANTITIES	3/25/2019	AW	16673
3	REROUTED SPLITTER TO LP TANK CONNECTION LINE, REDUCED P CLAMP QTY	8/28/2019	HP	17575

SPECIAL NOTES:
 - INSTALL P-CLAMPS & FLEXIBLE LINES AS INDICATED. THE MINIMUM FLEXIBLE LINE BEND RADIUS IS 4".
 - P-CLAMPS ON FLEXIBLE LP LINES MUST BE WITHIN 6" OF CONNECTIONS & SPACED A MAXIMUM 12" APART WHEN CROSSING THE CHASSIS & NOT EXCEEDING 36" APART WHEN RUNNING DOWN THE CHASSIS LENGTH.
 - INSTALL A MIN. OF (2) STAR WASHERS, ONE PER OUTSIDE FASTENER BETWEEN EACH MANIFOLD SPLITTER & CHASSIS STRUCTURE.

THOR MOTOR COACH

DRAWN BY AW	SHEET 1	OF 2	DATE 5/17/2017
DESCRIPTION ASSEMBLY, FLEXIBLE LP			
MODEL MAGNITUDE/OMNI BB35			
DRAWING NUMBER TLP0413			REVISION 3

© CONFIDENTIAL AND PROPRIETARY INFORMATION OF THOR MOTOR COACH. ANY REPRODUCTION IN PART OR AS A WHOLE WITHOUT OUR EXPRESS WRITTEN CONSENT IS PROHIBITED.



THOR MOTOR COACH

DRAWN BY **AW** SHEET **2** OF **2** DATE **5/17/2017**

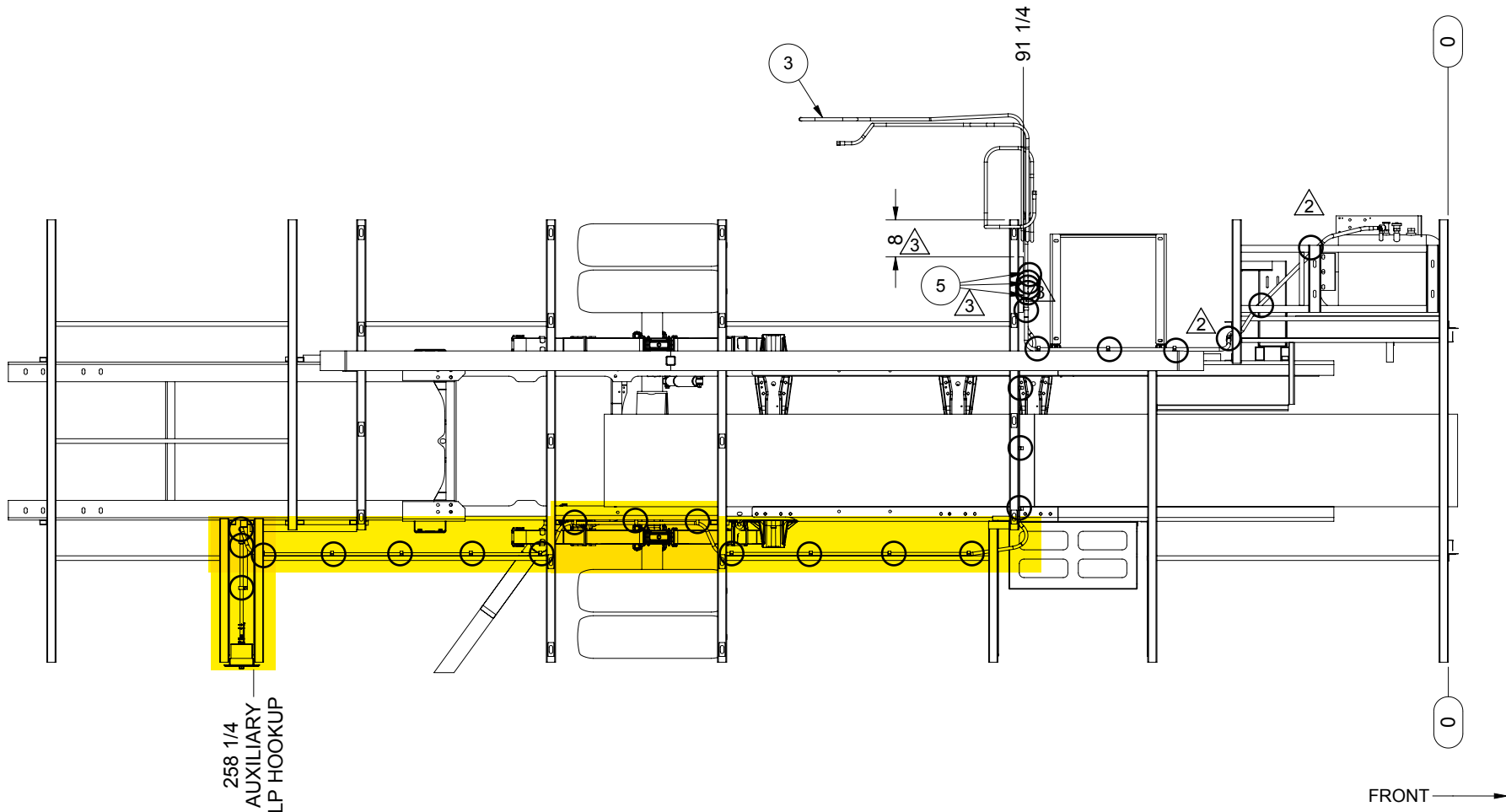
DESCRIPTION
ASSEMBLY, FLEXIBLE LP

MODEL
MAGNITUDE/OMNI BB35

© CONFIDENTIAL AND PROPRIETARY INFORMATION OF THOR MOTOR COACH. ANY REPRODUCTION IN PART OR AS A WHOLE WITHOUT OUR EXPRESS WRITTEN CONSENT IS PROHIBITED. DRAWING NUMBER **TLP0413** REVISION **3**

BOM

NO	QTY	DESCRIPTION - W x L (GRAIN)	SIZE A	SIZE B
1	1	ANGLE, SUPPORT (TFM5007)		
2	1	AUXILIARY LP PORT		
3	1	MANIFOLD, FLEXIBLE LP (TLP0439)		
4	29	P-CLAMP		
5	3	STAR Lock Washer .25		



258 1/4
AUXILIARY
LP HOOKUP

NOTE: - ANY EXCESS HOSE FOR APPLIANCES MUST BE COILED UP AND SECURED ABOVE FLOOR
 - PROTECT LP LINES FROM SHARP CORNERS
 ○ INDICATES P-CLAMP LOCATION

REV	DESCRIPTION	DATE	BY	ECN
-	INITIAL RELEASE	8/17/2017	AW	14168
1	CORRECT P-CLAMP QUANTITIES	3/25/2019	AW	16673
2	REROUTED SPLITTER TO LP TANK CONNECTION LINE, REDUCED P CLAMP QTY	8/28/2019	HP	17575
3	SPLITTER CENTERED ON BLOCK (STANDARDIZED)	8/18/2020	RN	18876

SPECIAL NOTES:
 - INSTALL P-CLAMPS & FLEXIBLE LINES AS INDICATED. THE MINIMUM FLEXIBLE LINE BEND RADIUS IS 4".
 - P-CLAMPS ON FLEXIBLE LP LINES MUST BE WITHIN 6" OF CONNECTIONS & SPACED A MAXIMUM 12" APART WHEN CROSSING THE CHASSIS & NOT EXCEEDING 36" APART WHEN RUNNING DOWN THE CHASSIS LENGTH.
 - INSTALL A MIN. OF (2) STAR WASHERS, ONE PER OUTSIDE FASTENER BETWEEN EACH MANIFOLD SPLITTER & CHASSIS STRUCTURE.

THOR MOTOR COACH

DRAWN BY: **AW** SHEET: **1** OF: **2** DATE: **8/17/2017**

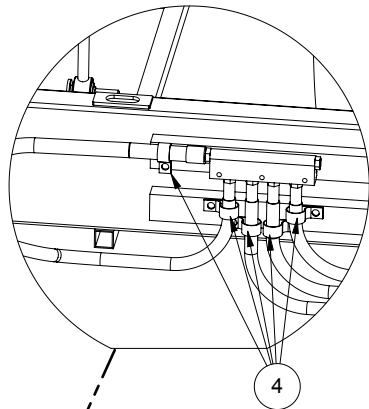
DESCRIPTION: **ASSEMBLY, FLEXIBLE LP**

MODEL: **BH35 MAGNITUDE / OMNI**

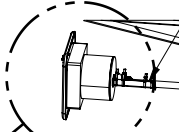
© CONFIDENTIAL AND PROPRIETARY INFORMATION OF THOR MOTOR COACH. ANY REPRODUCTION IN PART OR AS A WHOLE WITHOUT OUR EXPRESS WRITTEN CONSENT IS PROHIBITED.

DRAWING NUMBER: **TLP0442** REVISION: **3**

FRONT



AUXILIARY LP HOOKUP

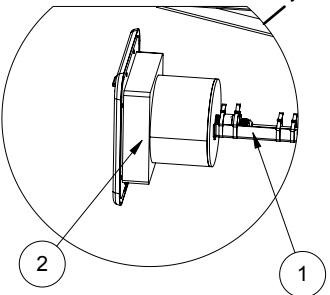


FRONT

RANGE

FURNACE

WATER HEATER



ZIP TIES HOSE TO BRACKET

THOR MOTOR COACH

DRAWN BY **AW** SHEET **2** OF **2** DATE **8/17/2017**

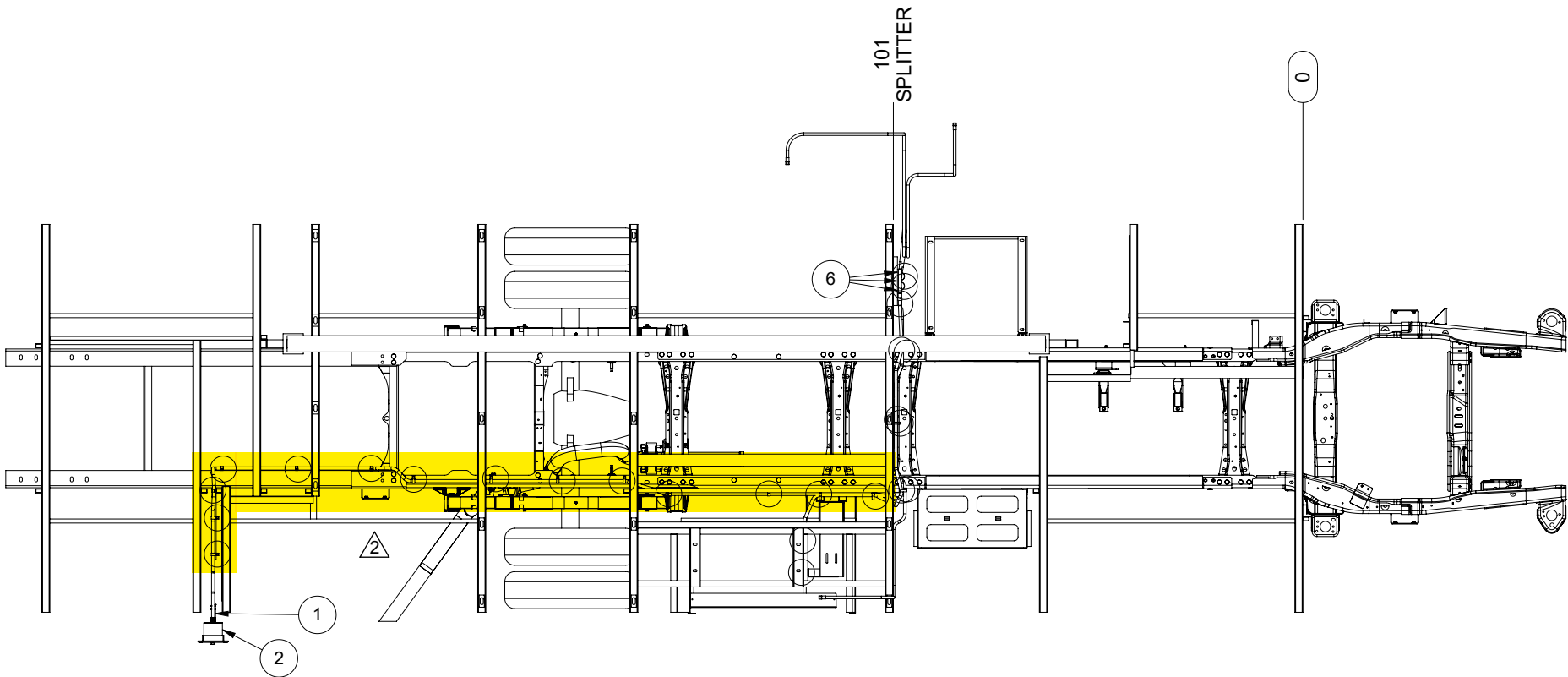
DESCRIPTION
ASSEMBLY, FLEXIBLE LP

MODEL
BH35 MAGNITUDE / OMNI

© CONFIDENTIAL AND PROPRIETARY INFORMATION OF THOR MOTOR COACH. ANY REPRODUCTION IN PART OR AS A WHOLE WITHOUT OUR EXPRESS WRITTEN CONSENT IS PROHIBITED. DRAWING NUMBER **TLP0442** REVISION **3**

ASSEMBLY FLEXIBLE LP

NO	QTY	DESCRIPTION - W x L (GRAIN)
1	1	ANGLE, SUPPORT (TFM5007)
2	1	AUXILIARY LP PORT
3	1	MANIFOLD, FLEXIBLE LP (TPL0694)
4	18	P-CLAMP
5	7	P-CLAMP - MED
6	3	STAR Lock Washer .25



○ INDICATES P-CLAMP LOCATION

REV	DESCRIPTION	DATE	BY	ECN
-	INITIAL RELEASE	10/23/20	RN	19038
1	LP LINES RE-ROUTED	1/15/2021	RN	19777
2	LP LINES RE-ROUTED	4/7/2021	RN	-

SPECIAL NOTES:
 - INSTALL P-CLAMPS & FLEXIBLE LINES AS INDICATED. THE MINIMUM FLEXIBLE LINE BEND RADIUS IS 4".
 - P-CLAMPS ON FLEXIBLE LP LINES MUST BE WITHIN 6" OF CONNECTIONS & SPACED A MAXIMUM 12" APART WHEN CROSSING THE CHASSIS & NOT EXCEEDING 36" APART WHEN RUNNING DOWN THE CHASSIS LENGTH.
 - INSTALL A MIN. OF (2) STAR WASHERS, ONE PER OUTSIDE FASTENER BETWEEN EACH MANIFOLD SPLITTER & CHASSIS STRUCTURE.

THOR MOTOR COACH

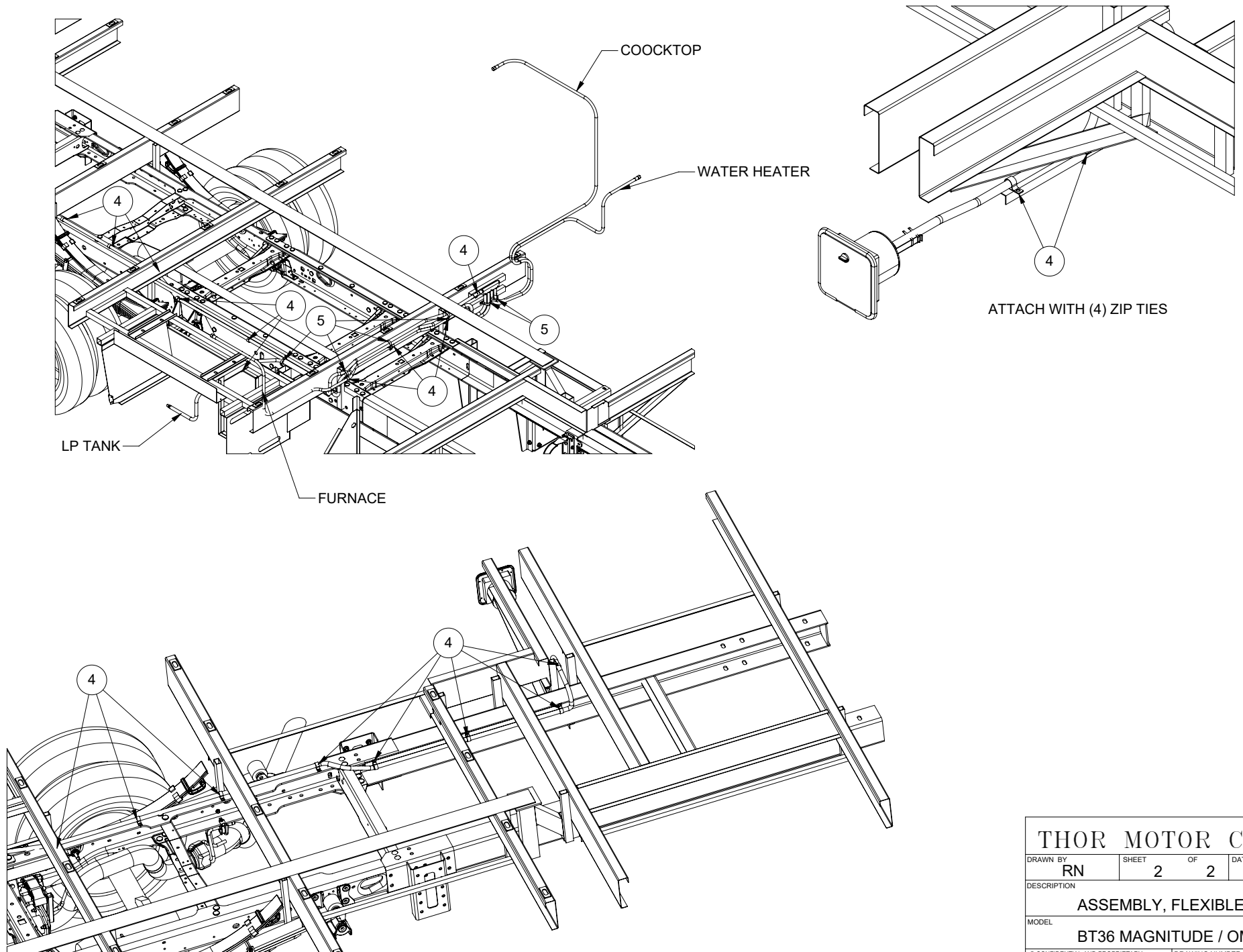
DRAWN BY: **RN** SHEET 1 OF 2 DATE: 10/23/20

DESCRIPTION: **ASSEMBLY, FLEXIBLE LP**

MODEL: **BT36 MAGNITUDE / OMNI**

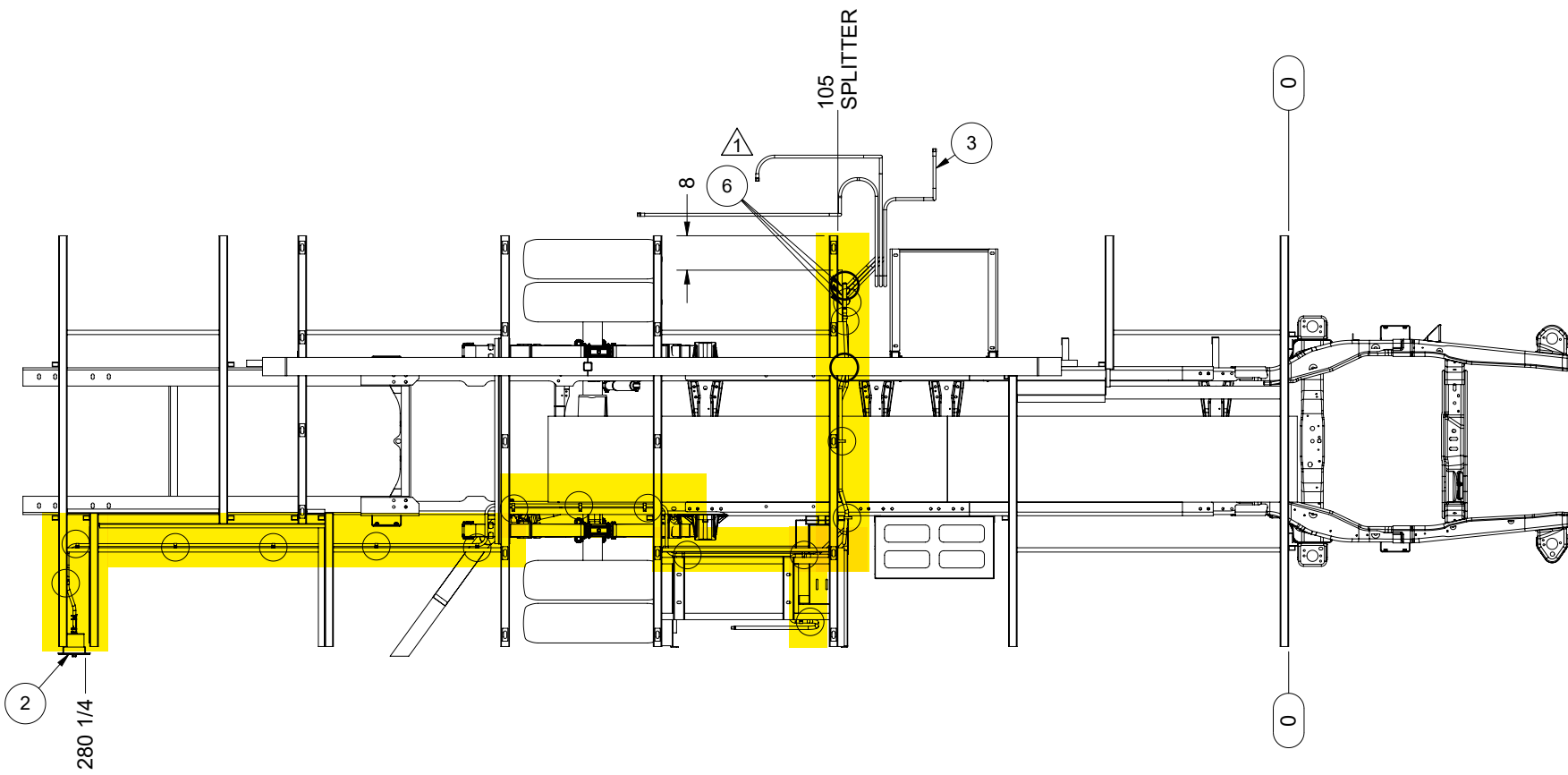
© CONFIDENTIAL AND PROPRIETARY INFORMATION OF THOR MOTOR COACH. ANY REPRODUCTION IN PART OR AS A WHOLE WITHOUT OUR EXPRESS WRITTEN CONSENT IS PROHIBITED.

DRAWING NUMBER: **TLP0742** REVISION: **2**



THOR MOTOR COACH			
DRAWN BY RN	SHEET 2	OF 2	DATE 10/23/20
DESCRIPTION ASSEMBLY, FLEXIBLE LP			
MODEL BT36 MAGNITUDE / OMNI			
© CONFIDENTIAL AND PROPRIETARY INFORMATION OF THOR MOTOR COACH. ANY REPRODUCTION IN PART OR AS A WHOLE WITHOUT OUR EXPRESS WRITTEN CONSENT IS PROHIBITED.		DRAWING NUMBER TLP0742	REVISION 2

BOM				
NO	QTY	DESCRIPTION - W x L (GRAIN)	SIZE A	SIZE B
1	1	ANGLE, SUPPORT (TFM5007)		
2	1	AUXILIARY LP PORT		
3	1	MANIFOLD, FLEXIBLE LP (TLP0694)		
4	11	P-CLAMP		
5	7	P-CLAMP - MED		
6	3	STAR Lock Washer .25		



○ INDICATES P-CLAMP LOCATION

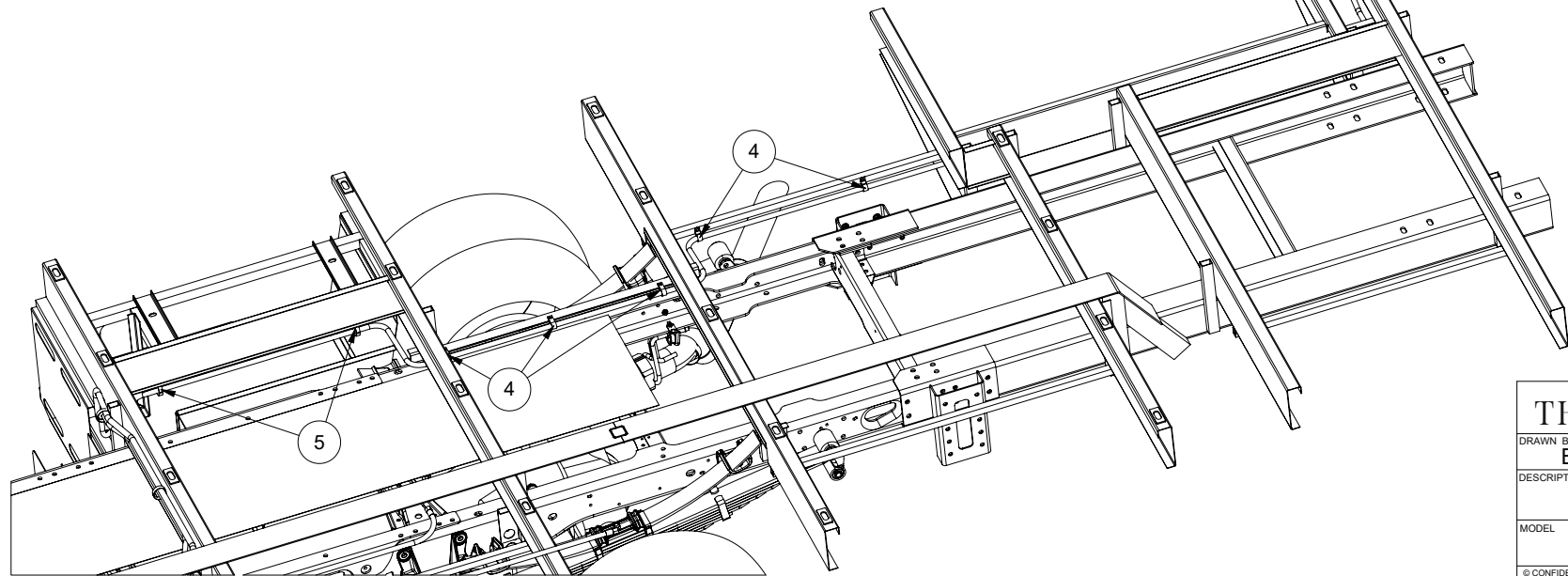
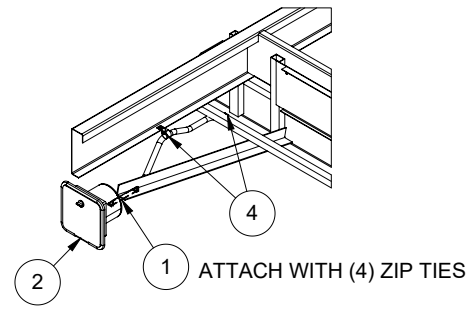
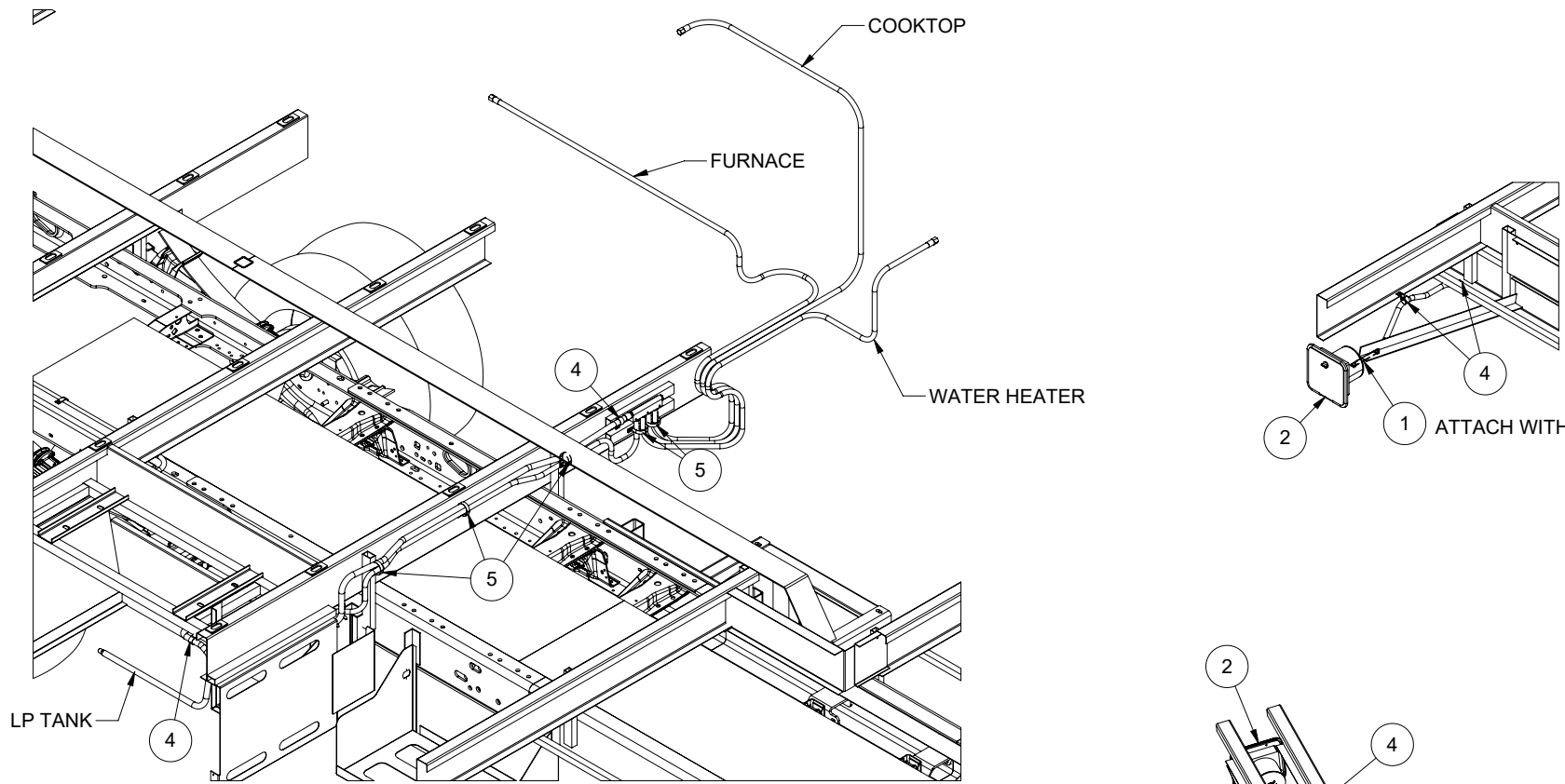
REV	DESCRIPTION	DATE	BY	ECN
-	INITIAL RELEASE	1/28/2020	BAR	17906
1	SPLITTER CENTERED ON BLOCK (STANDARDIZED) REVISED C CLAMP QTY, AND STAR LOCKED WASHERS ADDED.	8/17/2020	RN	18876

SPECIAL NOTES:
 - INSTALL P-CLAMPS & FLEXIBLE LINES AS INDICATED. THE MINIMUM FLEXIBLE LINE BEND RADIUS IS 4".
 - P-CLAMPS ON FLEXIBLE LP LINES MUST BE WITHIN 6" OF CONNECTIONS & SPACED A MAXIMUM 12" APART WHEN CROSSING THE CHASSIS & NOT EXCEEDING 36" APART WHEN RUNNING DOWN THE CHASSIS LENGTH.
 - INSTALL A MIN. OF (2) STAR WASHERS, ONE PER OUTSIDE FASTENER BETWEEN EACH MANIFOLD SPLITTER & CHASSIS STRUCTURE.

THOR MOTOR COACH

DRAWN BY BAR	SHEET 1	OF 2	DATE 1/28/2020
DESCRIPTION ASSEMBLY, FLEXIBLE LP			
MODEL RB34 MAGNITUDE / OMNI			
DRAWING NUMBER TLP0695		REVISION 1	

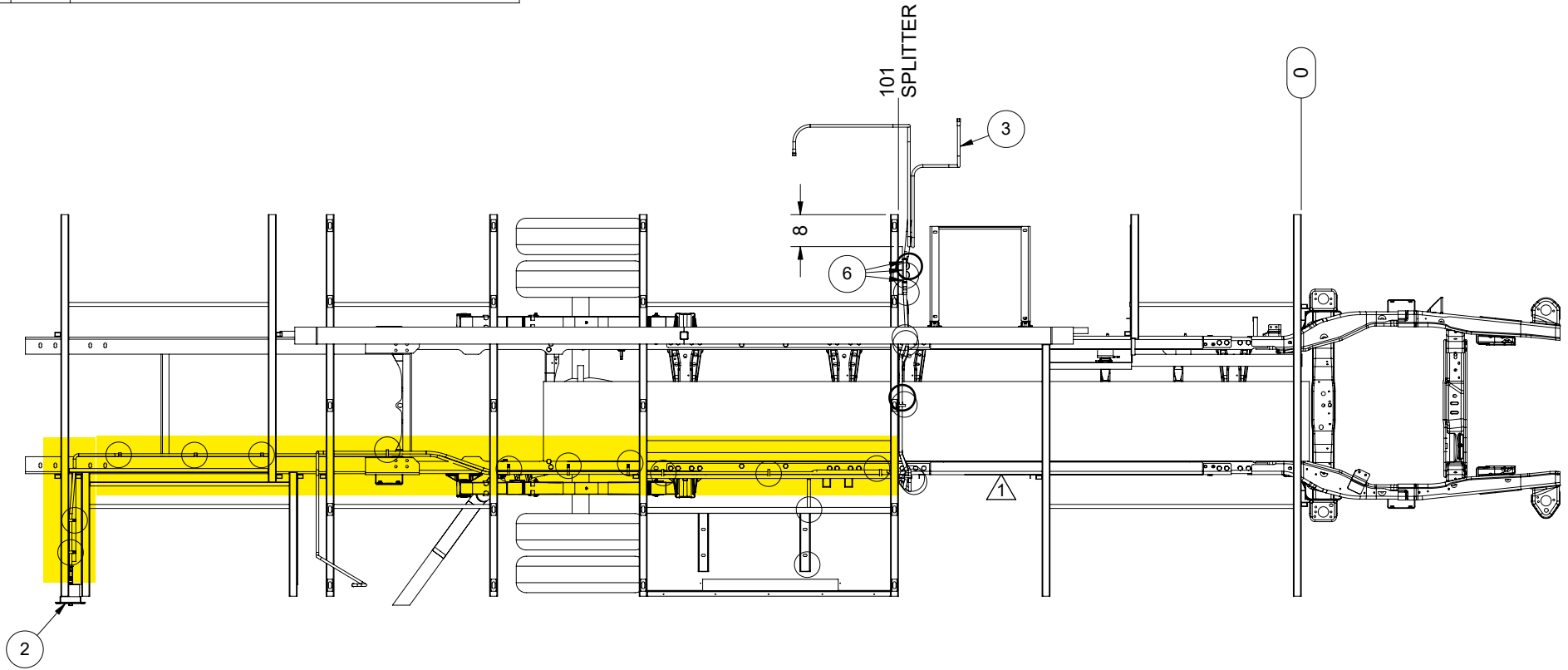
© CONFIDENTIAL AND PROPRIETARY INFORMATION OF THOR MOTOR COACH. ANY REPRODUCTION IN PART OR AS A WHOLE WITHOUT OUR EXPRESS WRITTEN CONSENT IS PROHIBITED.



THOR MOTOR COACH			
DRAWN BY BAR	SHEET 2	OF 2	DATE 1/28/2020
DESCRIPTION ASSEMBLY, FLEXIBLE LP			
MODEL RB34 MAGNITUDE / OMNI			
© CONFIDENTIAL AND PROPRIETARY INFORMATION OF THOR MOTOR COACH. ANY REPRODUCTION IN PART OR AS A WHOLE WITHOUT OUR EXPRESS WRITTEN CONSENT IS PROHIBITED.			DRAWING NUMBER TLP0695
			REVISION 1

BOM

NO	QTY	DESCRIPTION - W x L (GRAIN)
1	1	ANGLE, SUPPORT (TFM5007)
2	1	AUXILIARY LP PORT
3	1	MANIFOLD, FLEXIBLE LP (TLP0781)
4	12	P-CLAMP
5	14	P-CLAMP - MED
6	3	STAR Lock Washer .25

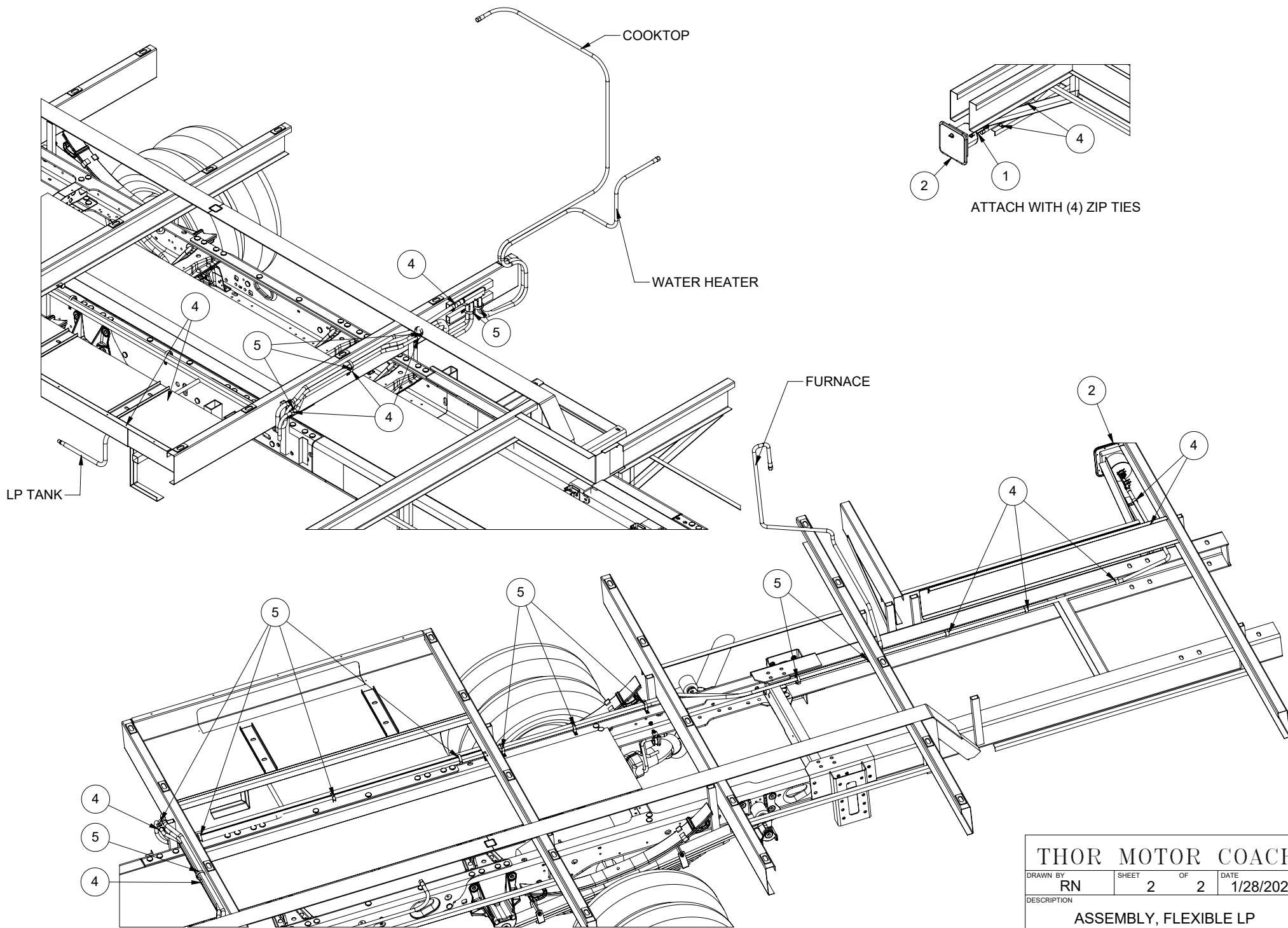


○ INDICATES P-CLAMP LOCATION

REV	DESCRIPTION	DATE	BY	ECN
-	INITIAL RELEASE	12/15/2020	RN	19039
1	UPDATED VISUAL	2/26/2021	RN	20103

SPECIAL NOTES:
 - INSTALL P-CLAMPS & FLEXIBLE LINES AS INDICATED. THE MINIMUM FLEXIBLE LINE BEND RADIUS IS 4".
 - P-CLAMPS ON FLEXIBLE LP LINES MUST BE WITHIN 6" OF CONNECTIONS & SPACED A MAXIMUM 12" APART WHEN CROSSING THE CHASSIS & NOT EXCEEDING 36" APART WHEN RUNNING DOWN THE CHASSIS LENGTH.
 - INSTALL A MIN. OF (2) STAR WASHERS, ONE PER OUTSIDE FASTENER BETWEEN EACH MANIFOLD SPLITTER & CHASSIS STRUCTURE.

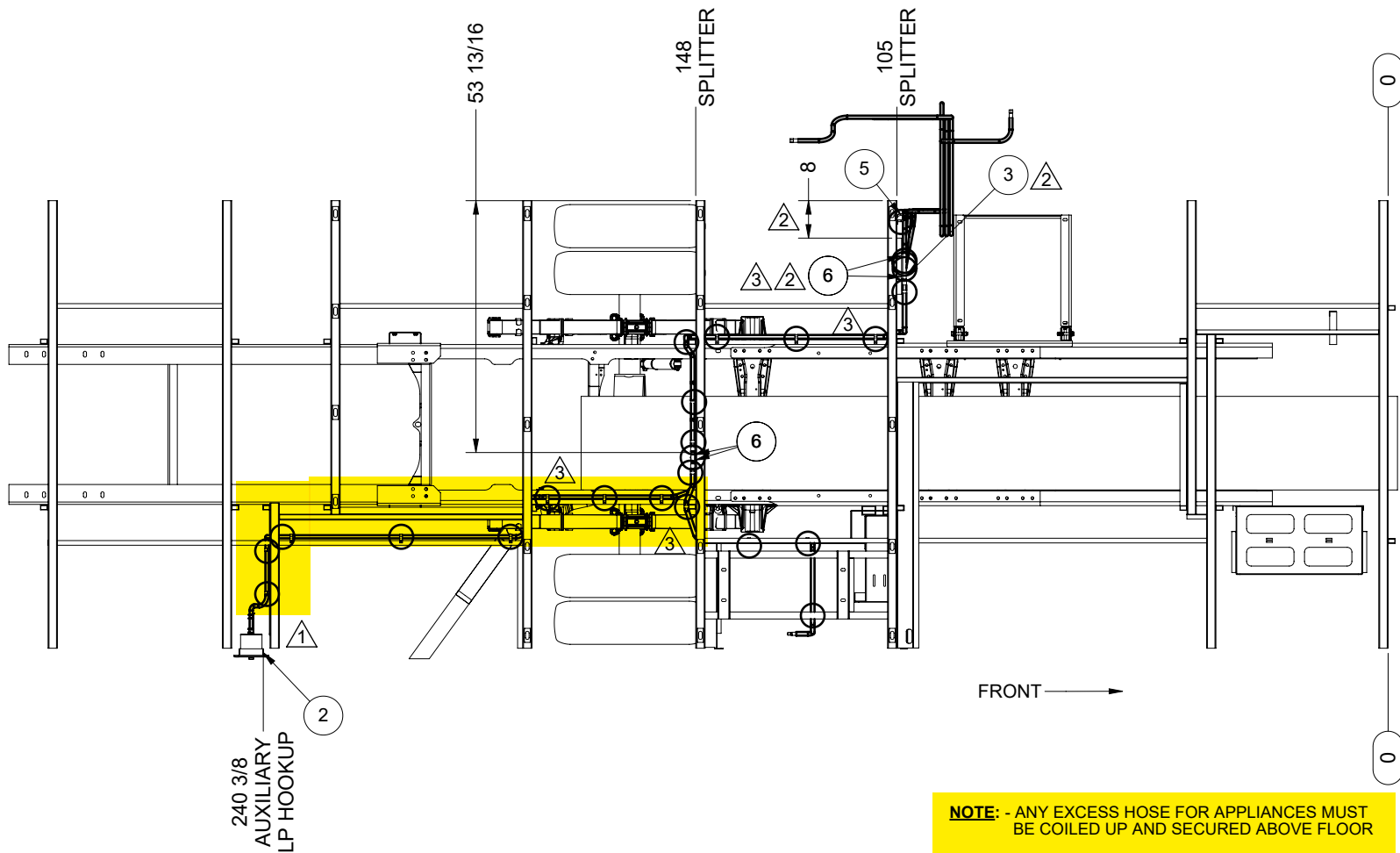
THOR MOTOR COACH			
DRAWN BY RN	SHEET 1	OF 2	DATE 1/28/2020
DESCRIPTION ASSEMBLY, FLEXIBLE LP			
MODEL RS36 MAGNITUDE / OMNI			
© CONFIDENTIAL AND PROPRIETARY INFORMATION OF THOR MOTOR COACH. ANY REPRODUCTION IN PART OR AS A WHOLE WITHOUT OUR EXPRESS WRITTEN CONSENT IS PROHIBITED.		DRAWING NUMBER TLP0782	REVISION 1



THOR MOTOR COACH			
DRAWN BY RN	SHEET 2	OF 2	DATE 1/28/2020
DESCRIPTION ASSEMBLY, FLEXIBLE LP			
MODEL RS36 MAGNITUDE / OMNI			
<small>© CONFIDENTIAL AND PROPRIETARY INFORMATION OF THOR MOTOR COACH. ANY REPRODUCTION IN PART OR AS A WHOLE WITHOUT OUR EXPRESS WRITTEN CONSENT IS PROHIBITED.</small>			DRAWING NUMBER TLP0782
			REVISION 1

BOM

NO	QTY	DESCRIPTION - W x L (GRAIN)	SIZE A	SIZE B
1	1	ANGLE, SUPPORT (TFM5007)		
2	1	AUXILIARY LP PORT		
3	1	MANIFOLD, FLEXIBLE LP (TLP0425)		
4	24	P-CLAMP		
5	1	P-CLAMP - MED		
6	4	STAR Lock Washer .25		



NOTE: - ANY EXCESS HOSE FOR APPLIANCES MUST BE COILED UP AND SECURED ABOVE FLOOR

- PROTECT LP LINES FROM SHARP CORNERS

○ INDICATES P-CLAMP LOCATION

REV	DESCRIPTION	DATE	BY	ECN
-	INITIAL RELEASE	6/6/2017	JTK	13956
1	AUXILIARY LP HOOKUP REROUTED.	7/16/2020	JTK	13956
2	STAR WHASHERS ADDED.SPLITTER CENTERED ON BLOCK (STANDARDIZED)	8/13/2020	RN	18876
3	LP LINES RE-ROUTED / VISUAL UPDATED	6/1/2021	RN	-

SPECIAL NOTES:

- INSTALL P-CLAMPS & FLEXIBLE LINES AS INDICATED. THE MINIMUM FLEXIBLE LINE BEND RADIUS IS 4".

- P-CLAMPS ON FLEXIBLE LP LINES MUST BE WITHIN 6" OF CONNECTIONS & SPACED A MAXIMUM 12" APART WHEN CROSSING THE CHASSIS & NOT EXCEEDING 36" APART WHEN RUNNING DOWN THE CHASSIS LENGTH.

- INSTALL A MIN. OF (2) STAR WASHERS, ONE PER OUTSIDE FASTENER BETWEEN EACH MANIFOLD SPLITTER & CHASSIS STRUCTURE.

THOR MOTOR COACH

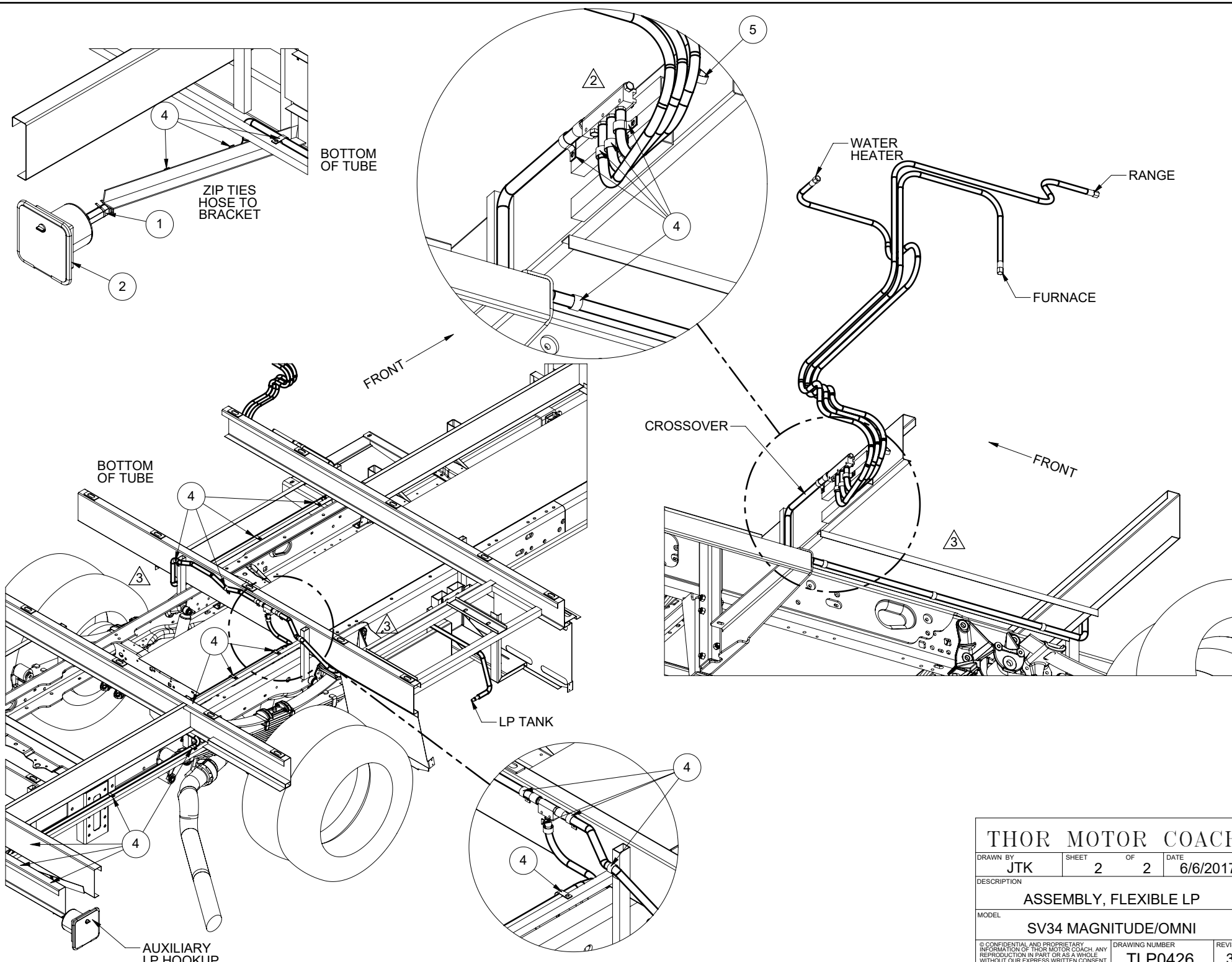
DRAWN BY: JTK SHEET 1 OF 2 DATE: 6/6/2017

DESCRIPTION: ASSEMBLY, FLEXIBLE LP

MODEL: SV34 MAGNITUDE/OMNI

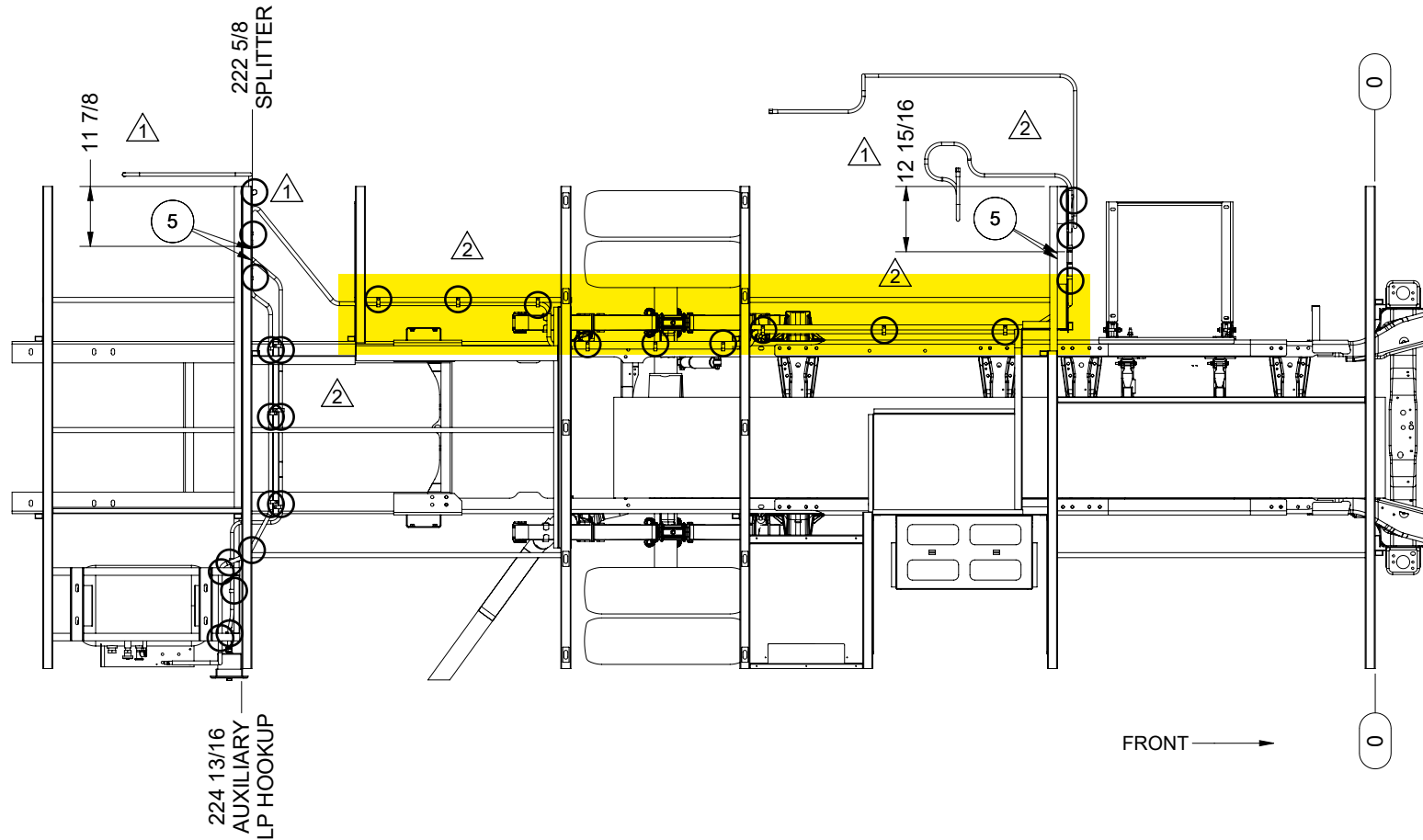
© CONFIDENTIAL AND PROPRIETARY INFORMATION OF THOR MOTOR COACH. ANY REPRODUCTION IN PART OR AS A WHOLE WITHOUT OUR EXPRESS WRITTEN CONSENT IS PROHIBITED.

DRAWING NUMBER: TLP0426 REVISION: 3



THOR MOTOR COACH			
DRAWN BY JTK	SHEET 2	OF 2	DATE 6/6/2017
DESCRIPTION ASSEMBLY, FLEXIBLE LP			
MODEL SV34 MAGNITUDE/OMNI			
© CONFIDENTIAL AND PROPRIETARY INFORMATION OF THOR MOTOR COACH. ANY REPRODUCTION IN PART OR AS A WHOLE WITHOUT OUR EXPRESS WRITTEN CONSENT IS PROHIBITED.			DRAWING NUMBER TLP0426
			REVISION 3

BOM				
NO	QTY	DESCRIPTION - W x L (GRAIN)	SIZE A	SIZE B
1	1	ANGLE, SUPPORT (TFM5007)		
2	1	AUXILIARY LP PORT		
3	1	MANIFOLD, FLEXIBLE LP (TLP0619)		
4	29	P-CLAMP		
5	4	STAR Lock Washer .25		



NOTE: - ANY EXCESS HOSE FOR APPLIANCES MUST BE COILED UP AND SECURED ABOVE FLOOR

- PROTECT LP LINES FROM SHARP CORNERS

○ INDICATES P-CLAMP LOCATION

REV	DESCRIPTION	DATE	BY	ECN
-	INITIAL RELEASE	2/18/2019	AW	14375
1	REVISED P-CLAMP QTY. SPLITTER CENTERED ON BLOCK (STANDARDIZED)	8/17/2020	RN	18876
2	LP LINES RE-ROUTED / VISUAL UPDATED	5/26/2021	RN	-

SPECIAL NOTES:

- INSTALL P-CLAMPS & FLEXIBLE LINES AS INDICATED. THE MINIMUM FLEXIBLE LINE BEND RADIUS IS 4".
- P-CLAMPS ON FLEXIBLE LP LINES MUST BE WITHIN 6" OF CONNECTIONS & SPACED A MAXIMUM 12" APART WHEN CROSSING THE CHASSIS & NOT EXCEEDING 36" APART WHEN RUNNING DOWN THE CHASSIS LENGTH.
- INSTALL A MIN. OF (2) STAR WASHERS, ONE PER OUTSIDE FASTENER BETWEEN EACH MANIFOLD SPLITTER & CHASSIS STRUCTURE.

THOR MOTOR COACH

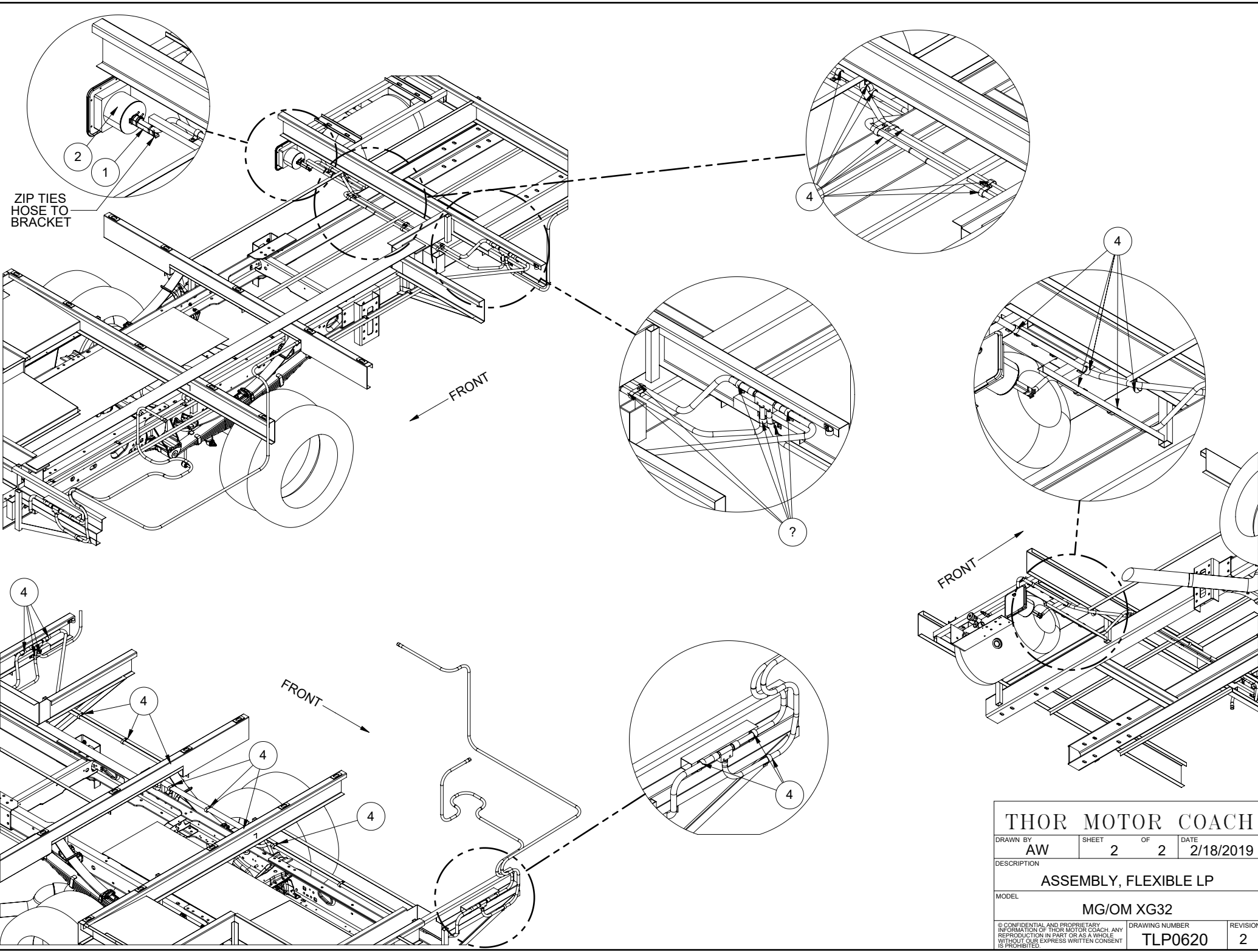
DRAWN BY: **AW** SHEET **1** OF **2** DATE: **2/18/2019**

DESCRIPTION: **ASSEMBLY, FLEXIBLE LP**

MODEL: **MG/OM XG32**

© CONFIDENTIAL AND PROPRIETARY INFORMATION OF THOR MOTOR COACH. ANY REPRODUCTION IN PART OR AS A WHOLE WITHOUT OUR EXPRESS WRITTEN CONSENT IS PROHIBITED.

DRAWING NUMBER: **TLP0620** REVISION: **2**



THOR MOTOR COACH			
DRAWN BY AW	SHEET 2	OF 2	DATE 2/18/2019
DESCRIPTION ASSEMBLY, FLEXIBLE LP			
MODEL MG/OM XG32			
© CONFIDENTIAL AND PROPRIETARY INFORMATION OF THOR MOTOR COACH. ANY REPRODUCTION IN PART OR AS A WHOLE WITHOUT OUR EXPRESS WRITTEN CONSENT IS PROHIBITED.		DRAWING NUMBER TLP0620	REVISION 2