

Repair Procedure

Safety Recall 52211 – 2020-2021 Mazda CX-9 – Second Row Seat May Slide Unintentionally

A. VEHICLE INSPECTION PROCEDURE

1. Verify that the vehicle is within the following ranges:

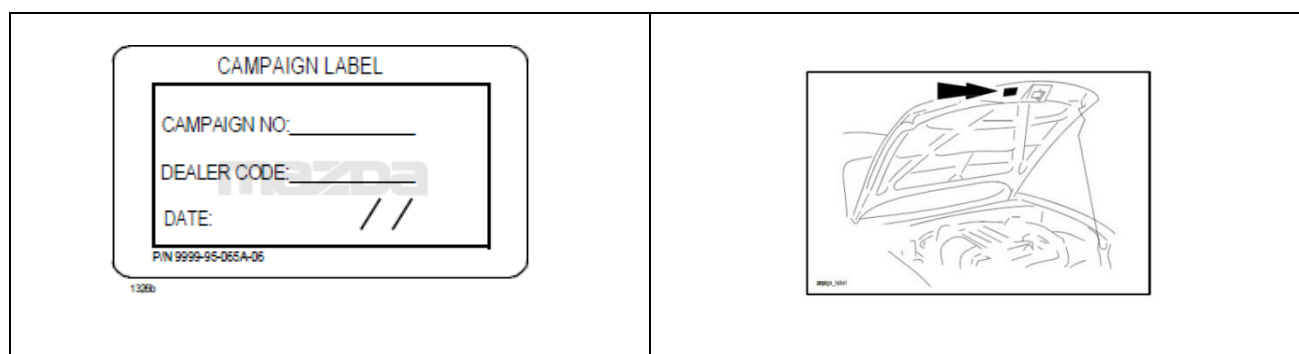
Model	Subject VIN range	Subject production date range
2020-2021 CX-9 With 60/40 split 2nd row seats only	JM3 TC****L0 421313 – 424632 JM3TC****M0 500010 – 520573	From March 18, 2020 through February 12, 2021

The asterisk symbol "*" can be any letter or number.

- If the vehicle is one of the above listed, proceed to Step 2.
- If the vehicle is not within the above ranges, return vehicle to the customer or inventory.

2. Perform a Warranty Vehicle Inquiry using your eMDCS System and inspect vehicle for Campaign Labels **Recall 52211** attached to the vehicle's hood. Refer to eMDCS System - Warranty Vehicle Inquiry Results table below.

NOTE: Be sure to verify Recall number as the vehicle may have multiple Recall labels.



eMDCS System - Warranty Vehicle Inquiry Results:

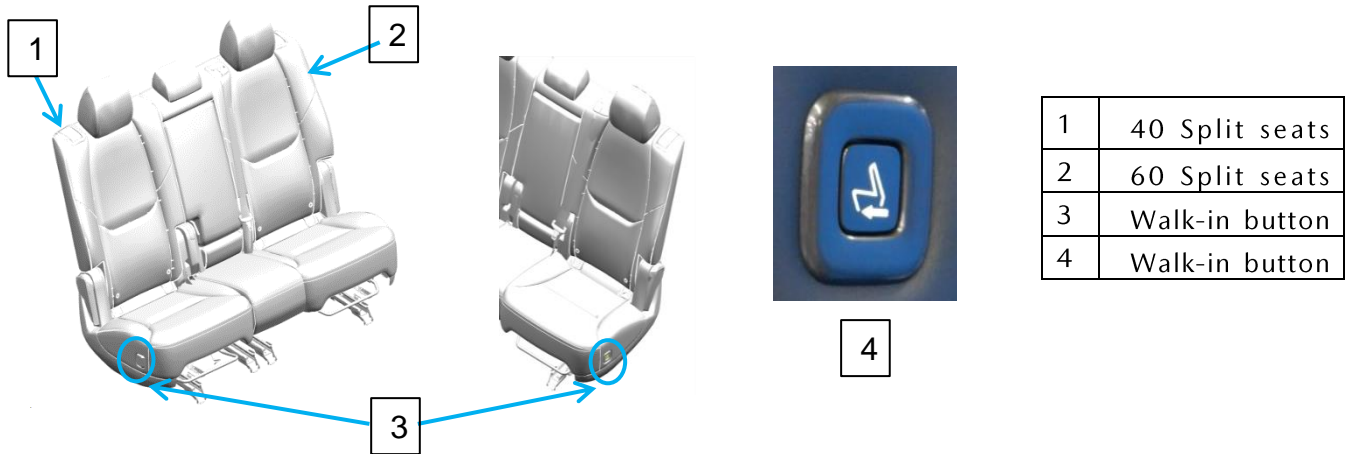
If eMDCS displays:	Campaign Label is:	Action to perform:
If no repair date is displayed on the line with RECALL 52211, it has not been completed on this vehicle	Present	Contact the Mazda Warranty Department at (800) 727-6626, Option 3.
	Not present	--Proceed to "REPAIR PROCEDURE".
If repair date is displayed on the line with RECALL 52211, it has been completed on this vehicle	Present	Return vehicle to inventory or customer.
	Not present	Complete a label and apply to vehicle's hood.
RECALL 52211 is not displayed	Does not apply	Recall does not apply to this vehicle. Return vehicle to customer.

REPAIR PROCEDURE

Replacement Procedure of the Slide Adjuster for 60 Split Seat:

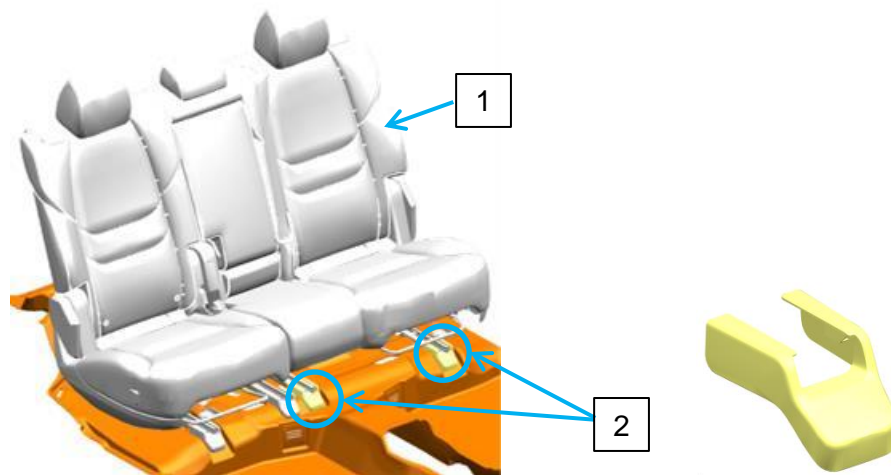
A. Disconnect the negative battery terminal

Do **NOT** press the walk-in button on the side of the second-row seat while removing the seat.
(on equipped models only)



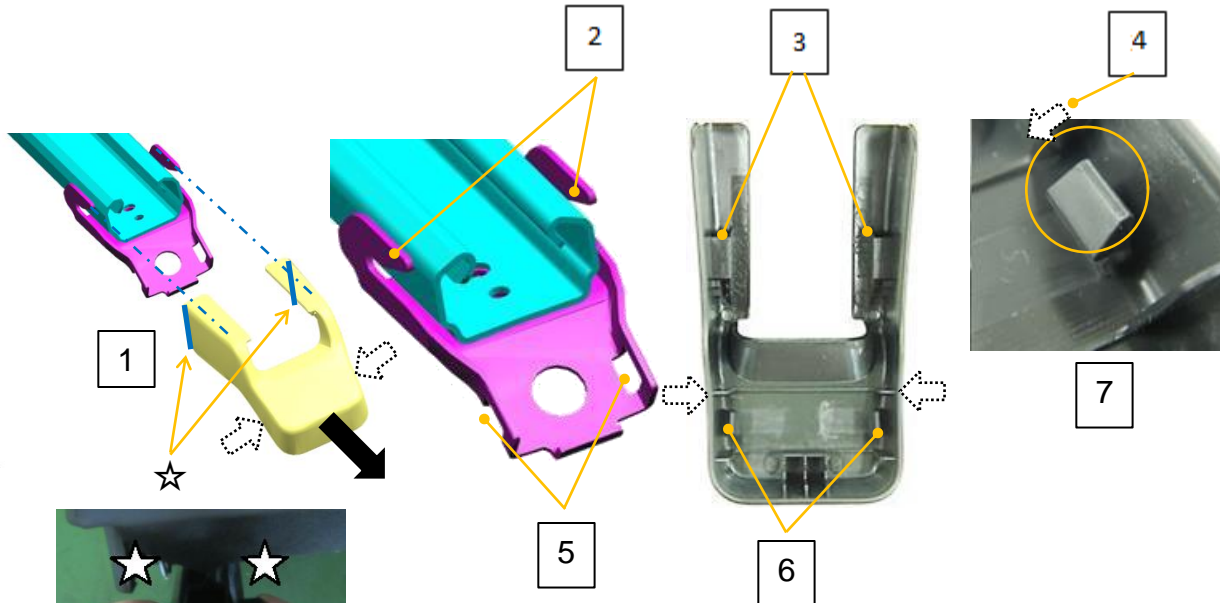
1. How to Remove Seat

1. Remove the front adjuster cover No.1 of the 60-split seat. (2pcs.)
※Please refer to the instruction below to remove the adjuster cover.



1	60 Split seat
2	Front adjuster cover NO.1 (2pcs.) TK48-57-241

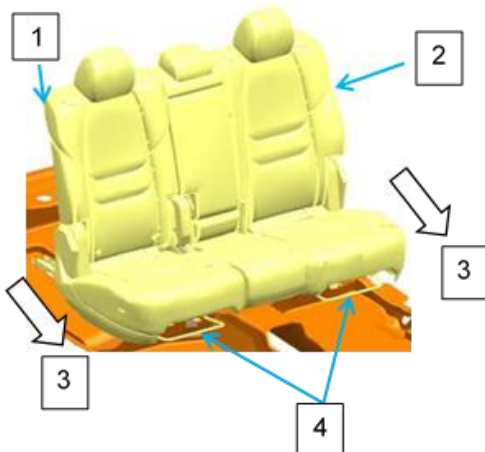
How to Remove Front Adjuster Cover



1	Front adjuster cover NO.1 TK48-57-241	5	Mounting part with two Hooks
2	Mounting part with two Square holes	6	Two Hooks of Back side cover
3	Two Square holes	7	Hook (two places)
4	Mounting direction		

Hook your finger on the back sides of the adjuster cover (☆) to hold the cover and pull forward to remove.

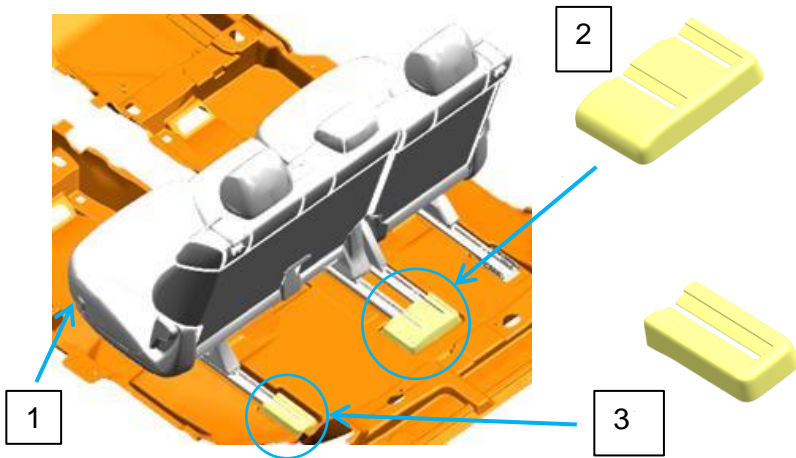
2. Pull the slider lever and move both the 60 and 40 split seats to the front end.



1	40 Split seat
2	60 Split seat
3	Move to forward
4	Slider lever

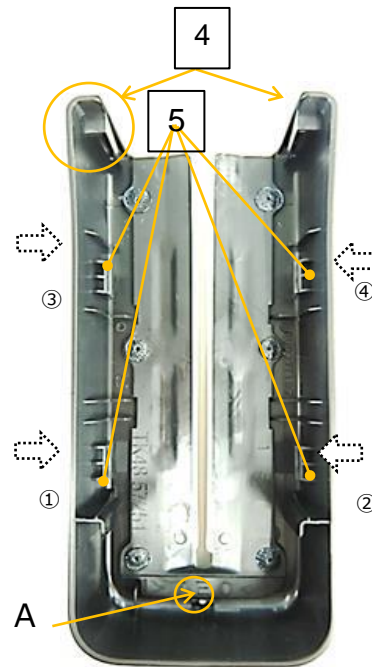
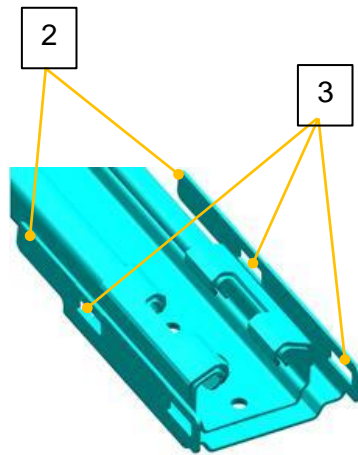
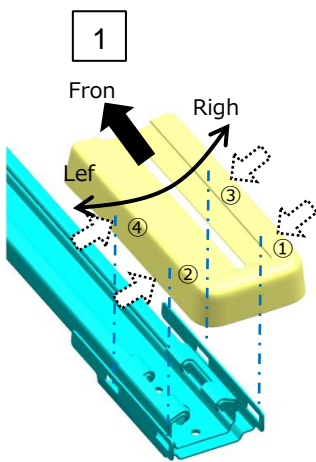
Remove rear adjuster cover No.1 and No.2 of the 60-split seat.

Please refer to the instruction below to remove adjuster covers.



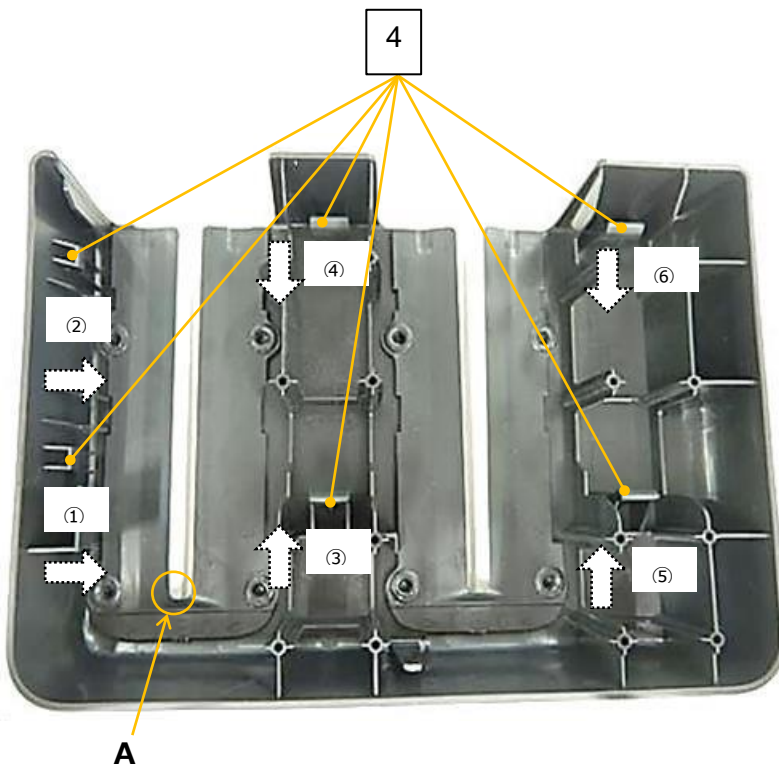
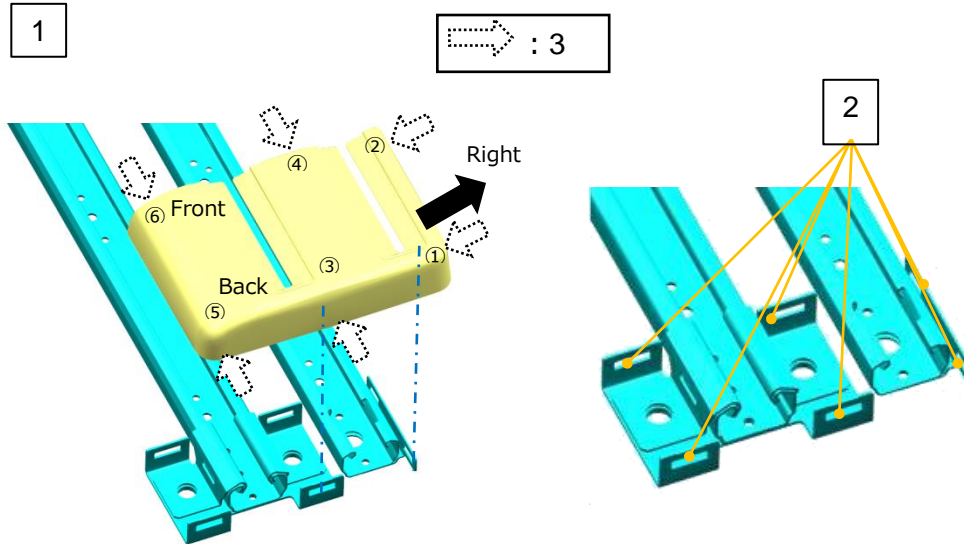
1	60 Split seat
2	Rear adjuster cover No.2 TK48-57-252C
3	Rear adjuster cover No.1 TK48-57-251C

How to Remove Rear Adjuster Cover No.1

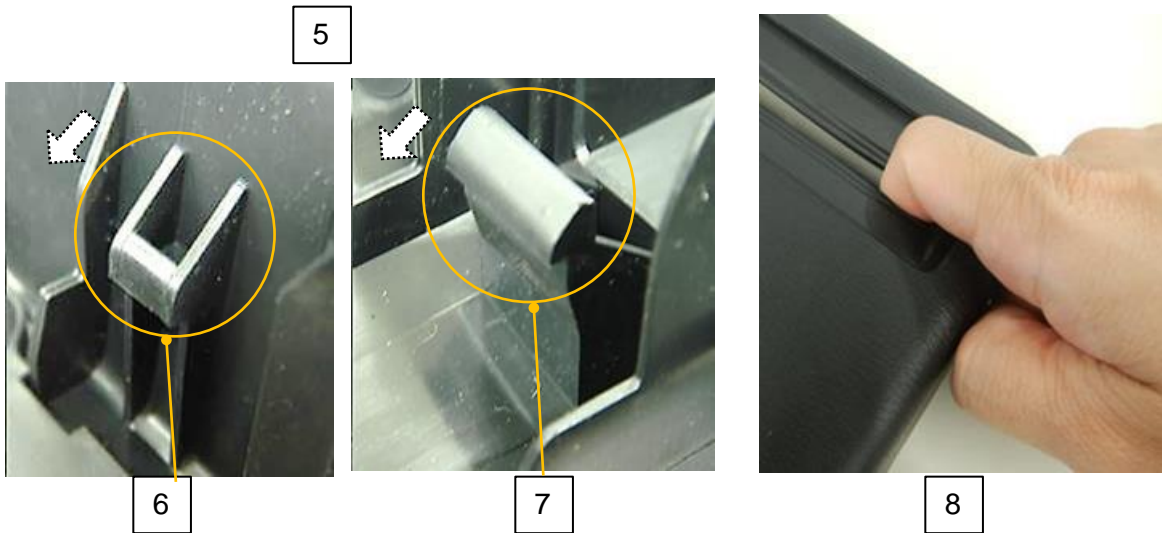


1	Rear adjuster cover No.1 TK48-57-251C
2	Mounting part with Square hole (Two pcs.)
3	Mounting part with hooks (Four pcs.)
4	Two Square holes
5	Four hooks
6	Mounting direction
7	Hook (Four places)
8	Holding Cover with your finger

- 1) Hook your finger into part A and hold the cover.
- 2) While holding the cover, shake it from side to side and lift it up. Then, you can remove hooks in the order of ① → ④.
- 3) Push the cover forward to remove mounting parts with square holes.

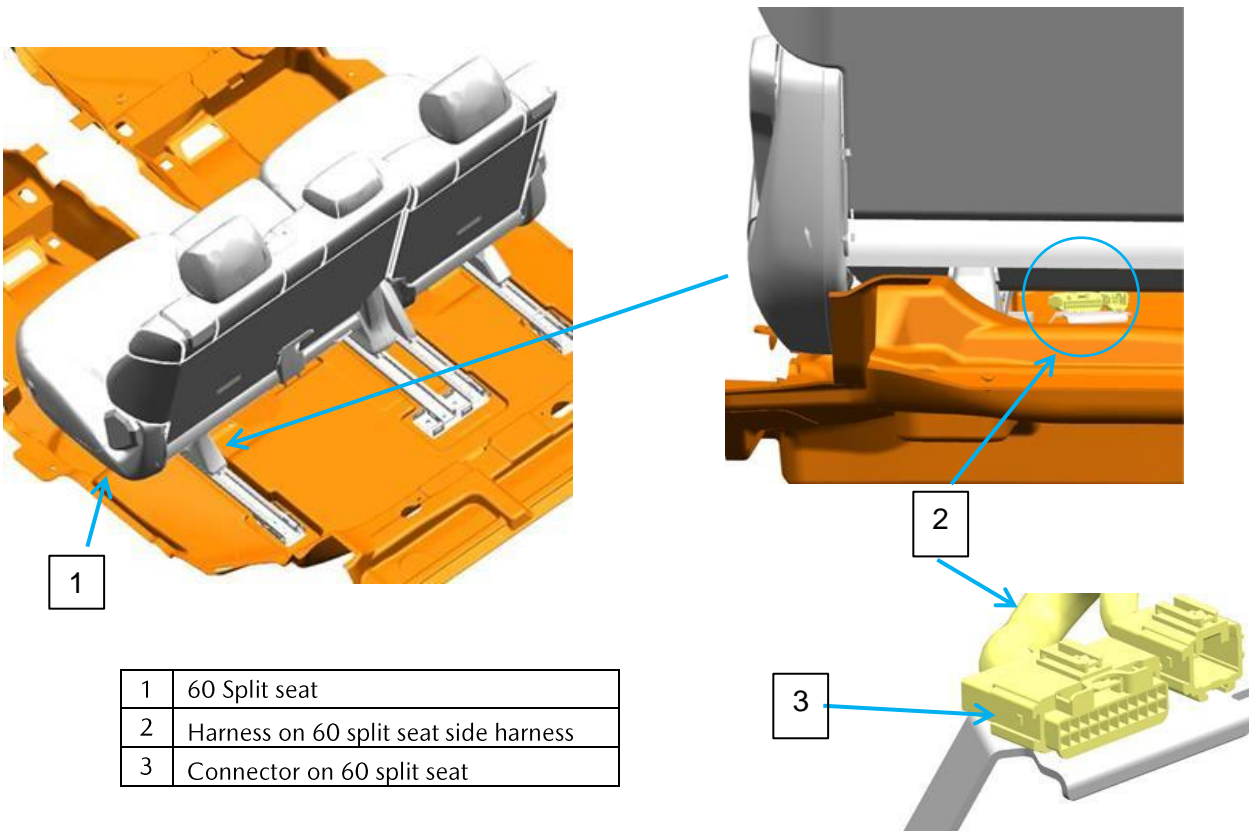


1	Rear adjuster cover No.2 TK48-57-252C
2	Mounting part with Square hole (Six pcs.)
3	Mounting direction
4	Six Hooks
5	Back side of Cover
6	Hook ① & ② (Two pcs.)
7	Hook ③, ④, ⑤, & ⑥ (Four pcs.)
8	Holding Cover with your finger



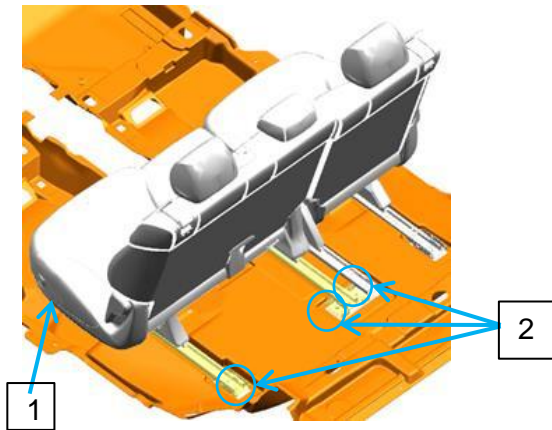
- 1) Hook your finger into part A (prior page) and hold the cover.
- 2) Push the cover to the right and remove the hook (1).
- 3) While holding the cover, shake it back and forth and lift it up.
Remove hooks in the order of (2) → (6) and remove the cover.

3. Disconnect the 2 connectors under the 60 Split seat.



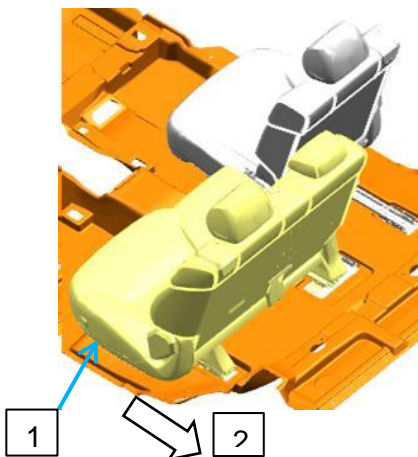
1	60 Split seat
2	Harness on 60 split seat side harness
3	Connector on 60 split seat

4. Remove the three bolts.



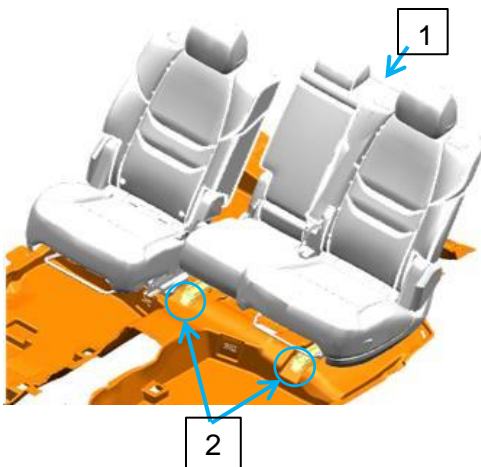
1	60 Split seat
2	Bolt

5. Move the 60-split seat to rear.



1	60 Split seat
2	Move to rear end

6. Remove the two bolts.



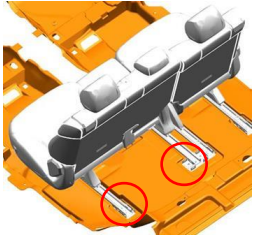
1	60 Split seat
2	Bolt

7. Take the 60 split seat out from the vehicle.

Note: Install a cloth on the edge of the seat rails to prevent scratching inside the vehicle



1	View from the bottom of the seat
---	----------------------------------



1

Note: Put fender covers around the left side rear door to prevent scratching on the left rear door trim and body.



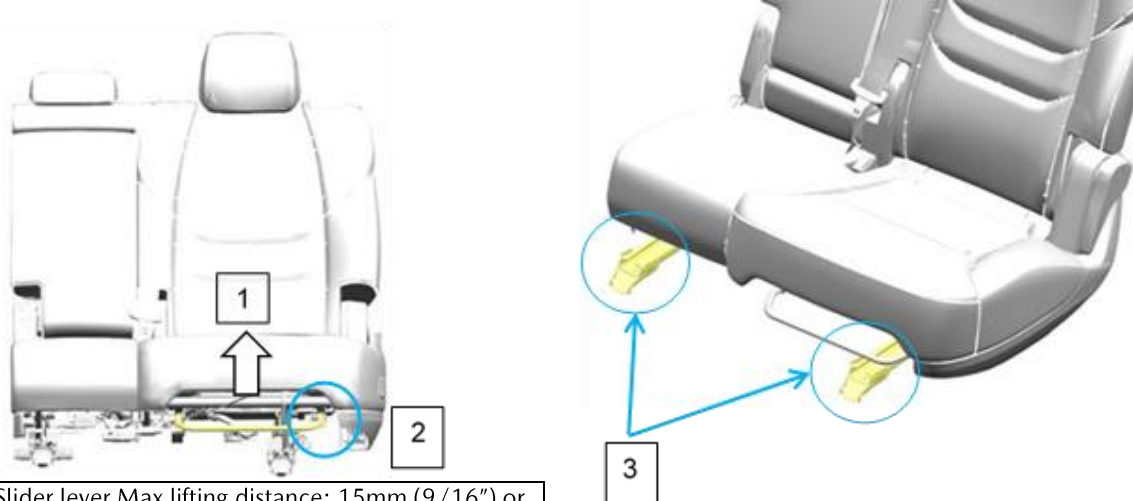
Be sure to take the seat out from the vehicle with two persons for safety and preventing damage.



Note:

When the seat is not fixed to the vehicle, do not lift the slider lever more than 15 mm (9/16").
If the slider lever is operated too far, the left and right sliders may not be aligned, and if the 60 Split seat is reinstalled with the left/right sliders deviated, the adjuster unit could be damaged.
If the left/right slide positions are not aligned, it will be necessary to synchronize and align sliders.

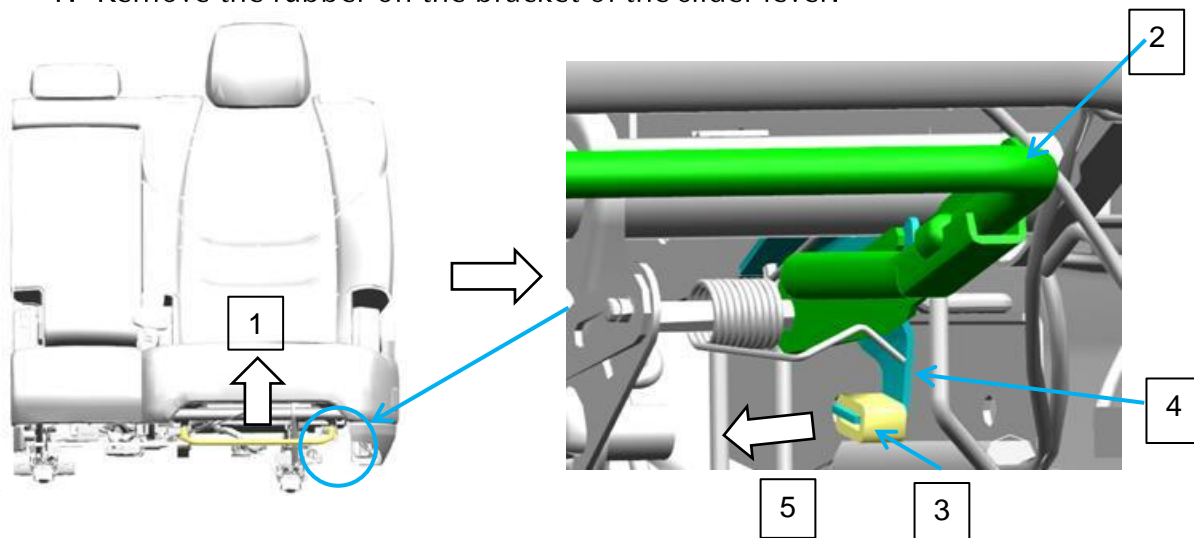
Please see: Procedure of slider synchronizing on page 27 of this document if necessary.



1	Slider lever Max lifting distance: 15mm (9/16") or less
2	Slider lever
3	Sliders which are not fixed to the vehicle

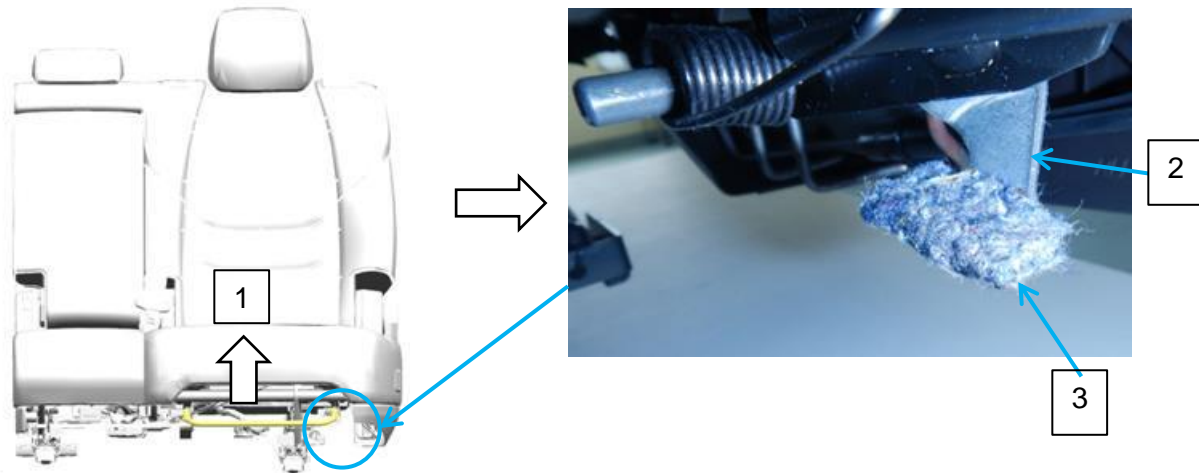
2. Replacing Felt / Rubber

1. Remove the rubber on the bracket of the slider lever.



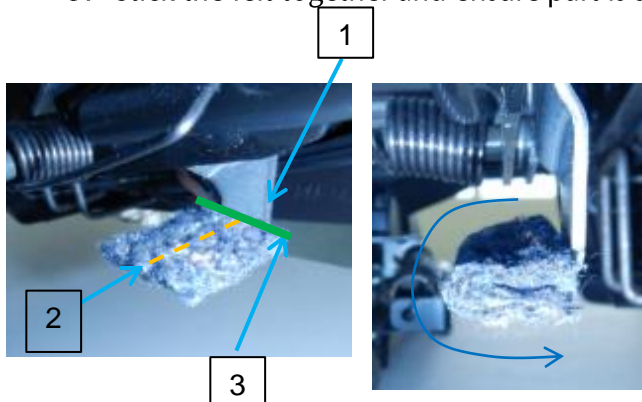
1	Slider lever Max lifting distance: 15mm or less	4	Bracket
2	Slider lever	5	Removal direction of Rubber
3	Rubber	-	-

- Stick the hair felt (thickness: 3 mm) on the bracket where the rubber was installed.



1	Slider lever Max lifting distance: 15mm or less
2	Bracket
3	3 mm thick hair felt: RC-057T-1C8Z

- Degrease the bracket.
- Match the edge of the hair felt to the edge/corner of the bracket and cover the bracket with the hair felt while matching the centerline of the hair felt and the bracket.
- Stick the felt together and ensure part is sticking out from each side of the bracket.

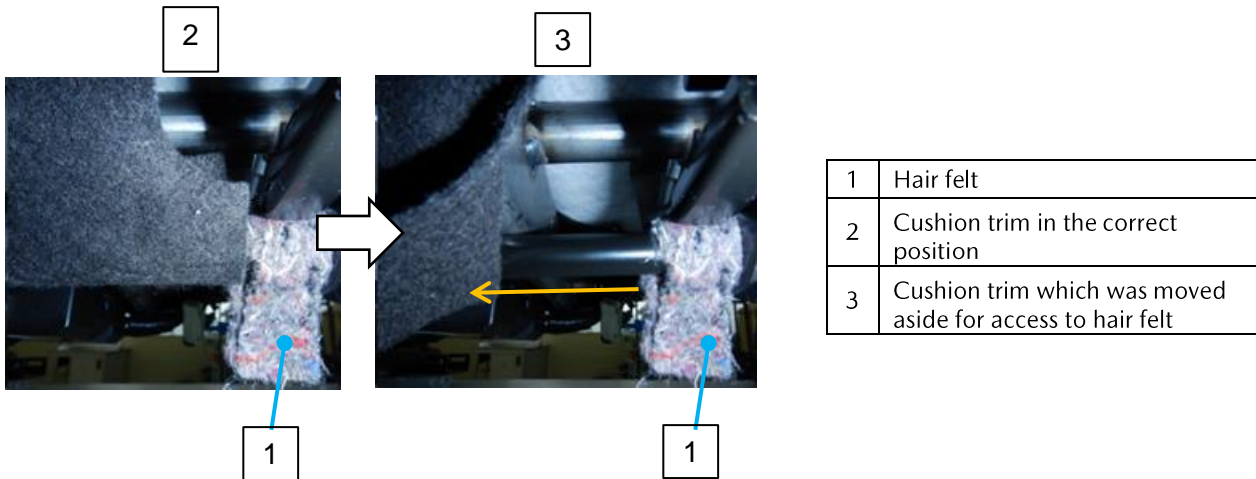
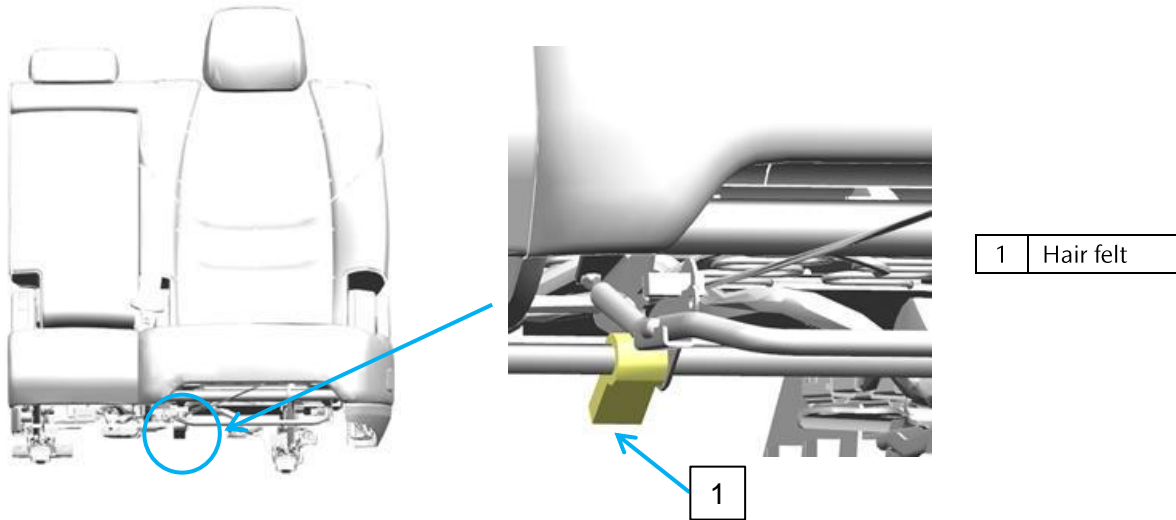


1	Bracket edge/elbow
2	Centerline
3	Match the edge of hair felt to the corner of the bracket

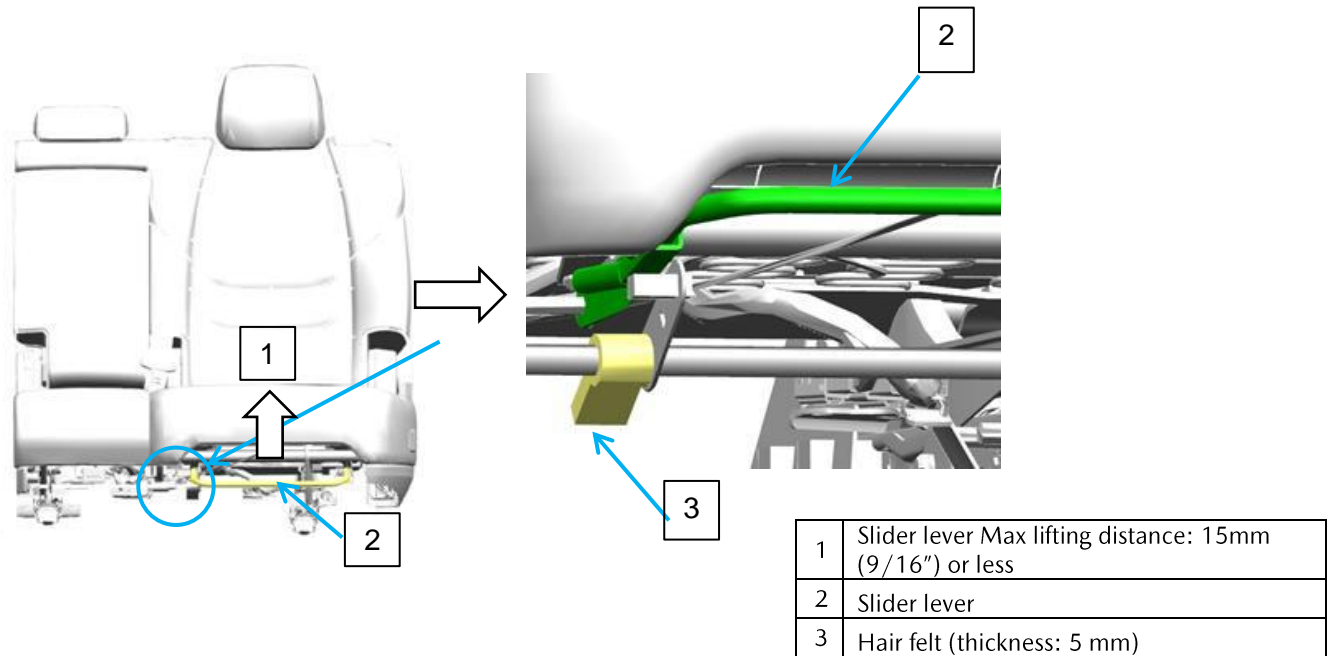


Underside of bracket prior to sticking the felt on permanently

6. Move the seat cushion trim to the left side in order to remove the hair felt on the pipe.

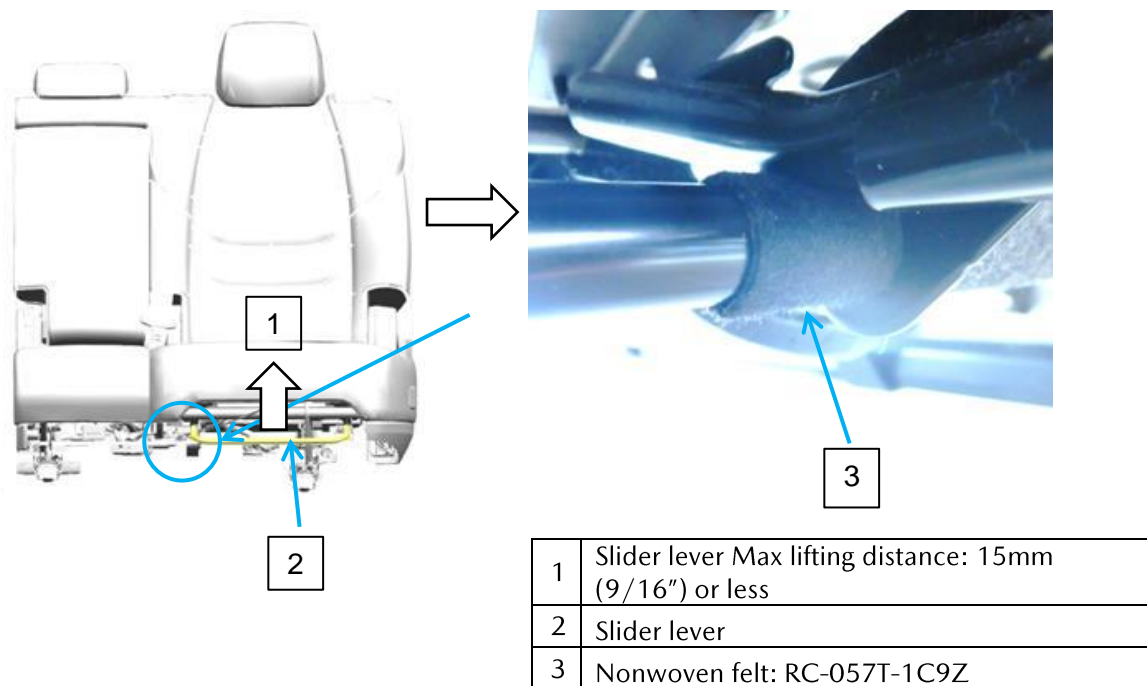


7. Remove the hair felt (thickness: 5 mm).

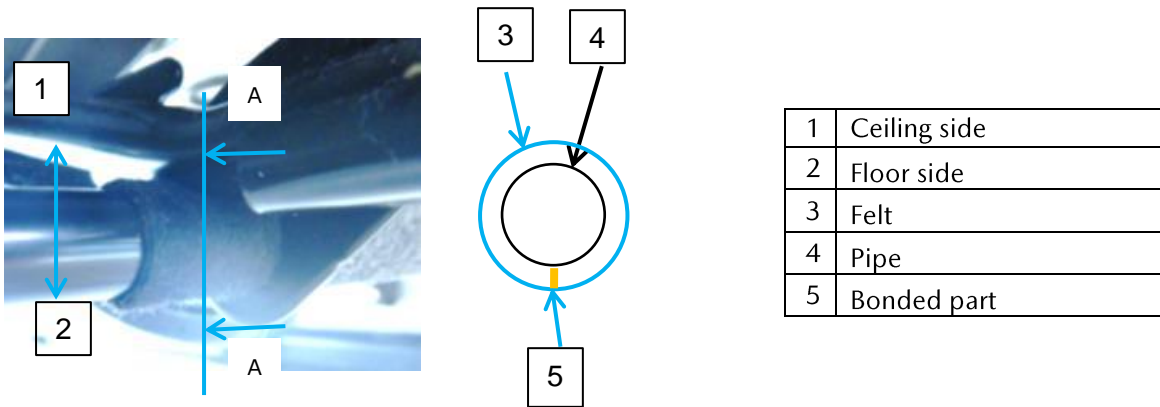


8. Stick nonwoven felt to the same place where the hair felt was installed.

※ Please refer to the instruction below how to stick the nonwoven felt.

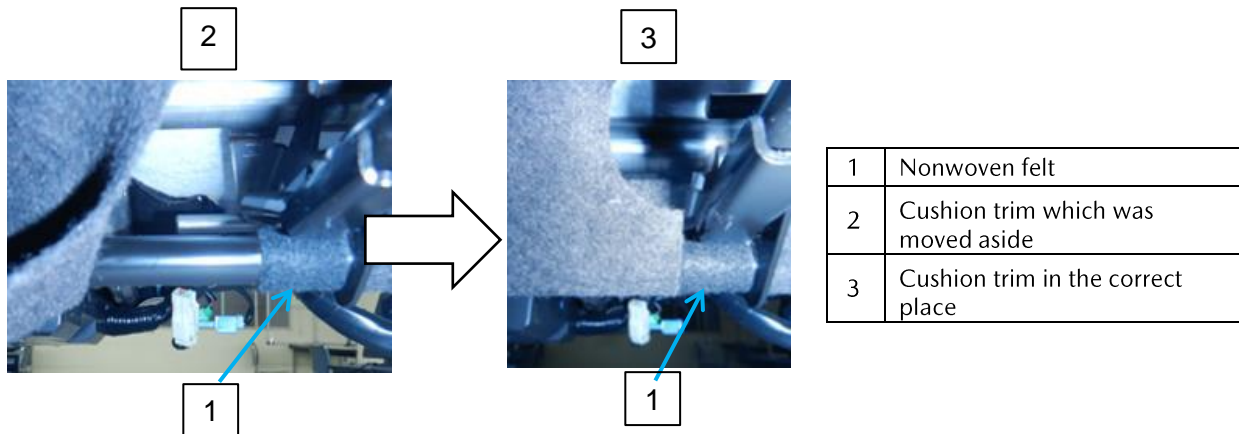
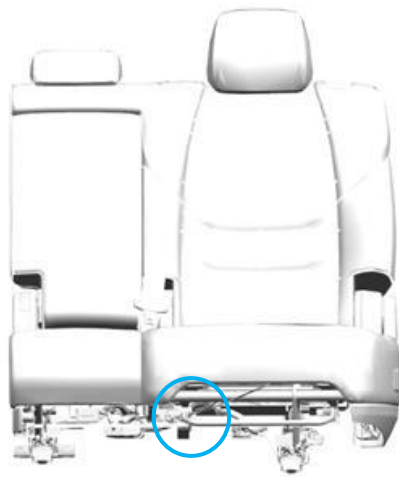


9. How to Stick Nonwoven Felt



Note: Bonded part should face to the floor side, not to the seat side.

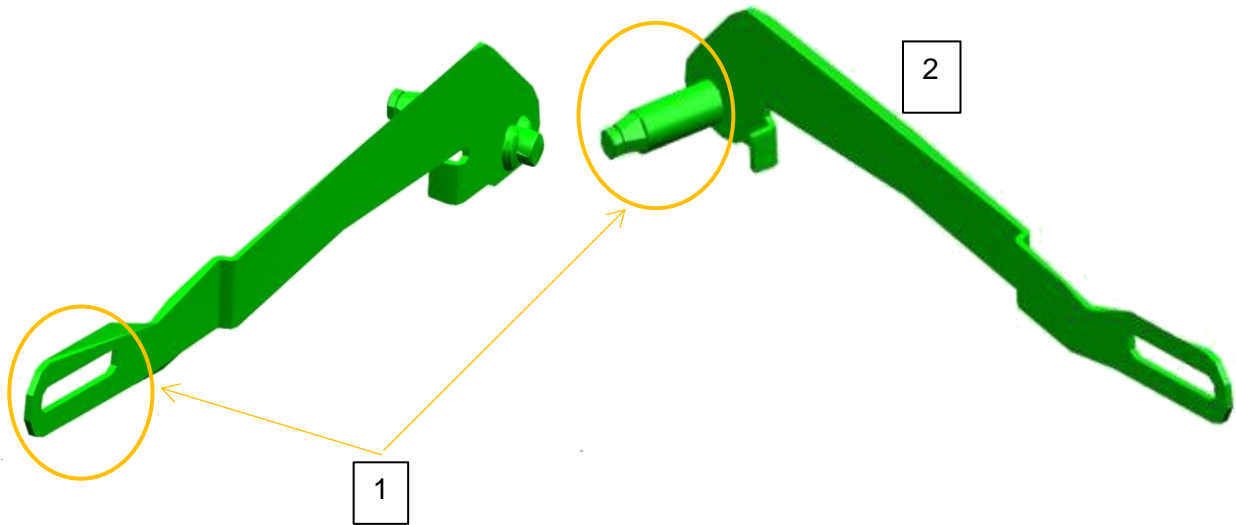
10. Return the seat cushion trim to the correct position.



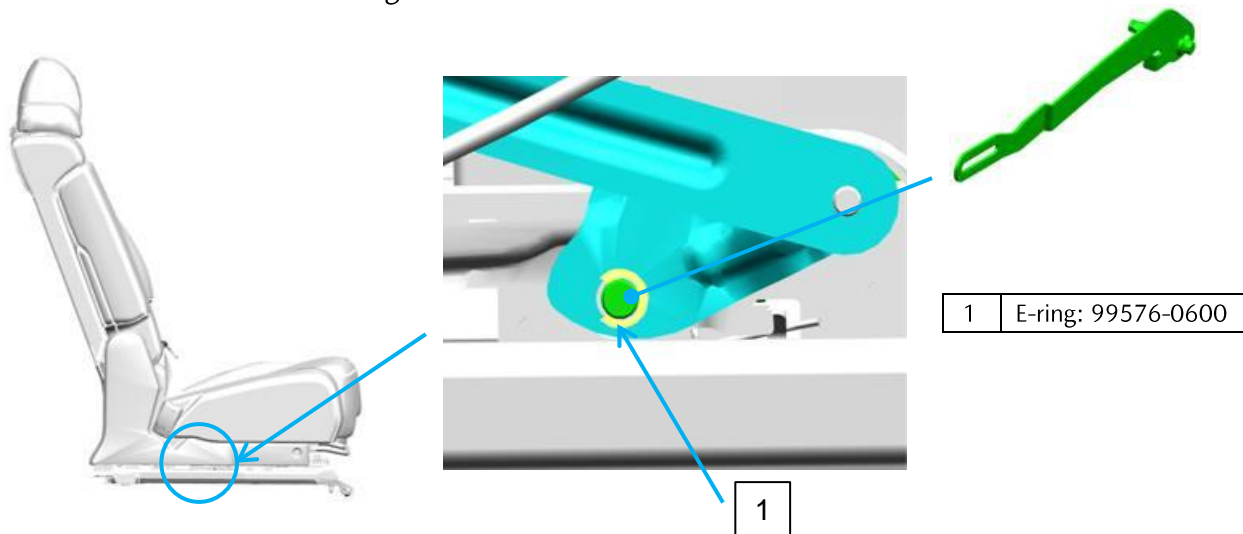
3. How to Replace Link Lever

Note:

1	※Do Not touch the area where grease is applied. It will stain, clean your hands to keep the seat clean.
2	Link lever: RS-007T-37XA

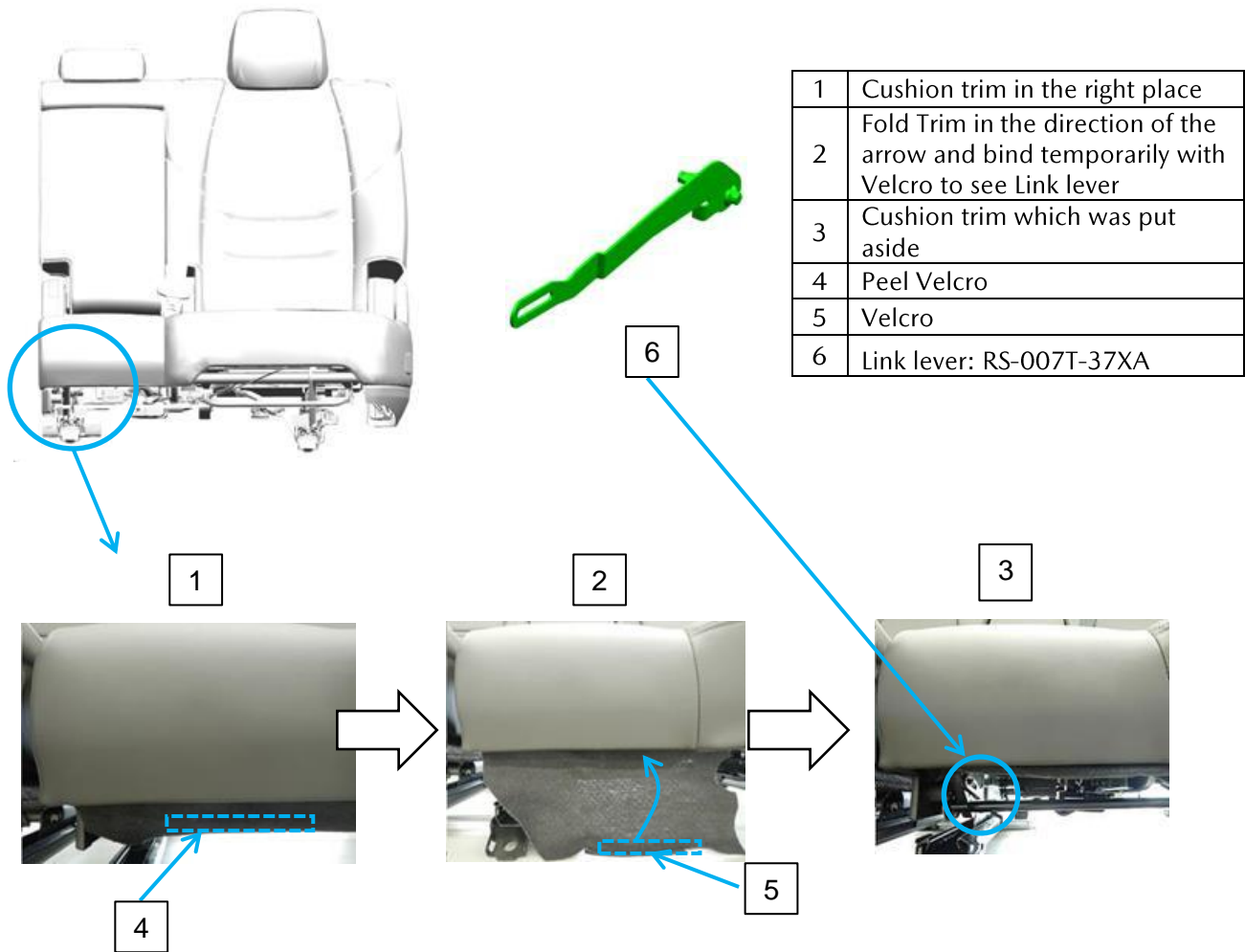


1. Remove the E-ring.

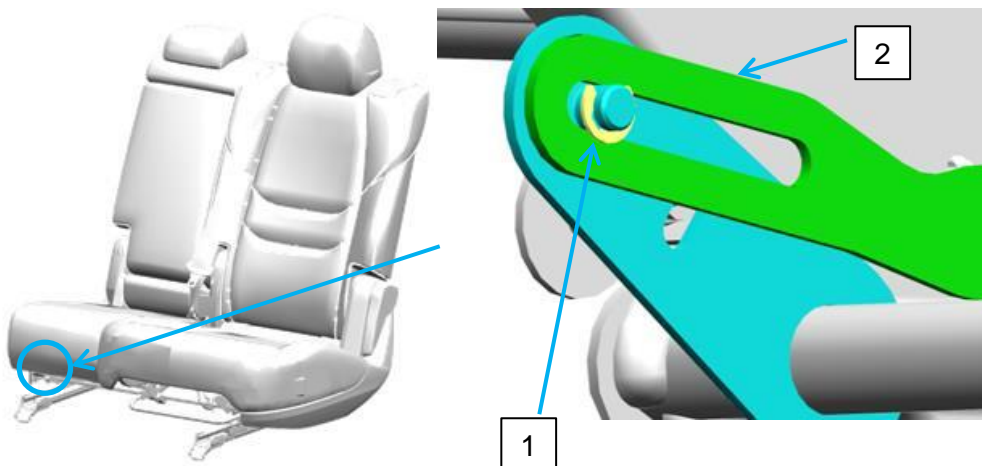


Note: If there is no damage, E-ring can be reused

2. Remove the hook of the seat cushion trim and roll it up to remove the link lever easily.



3. Remove the E-ring.

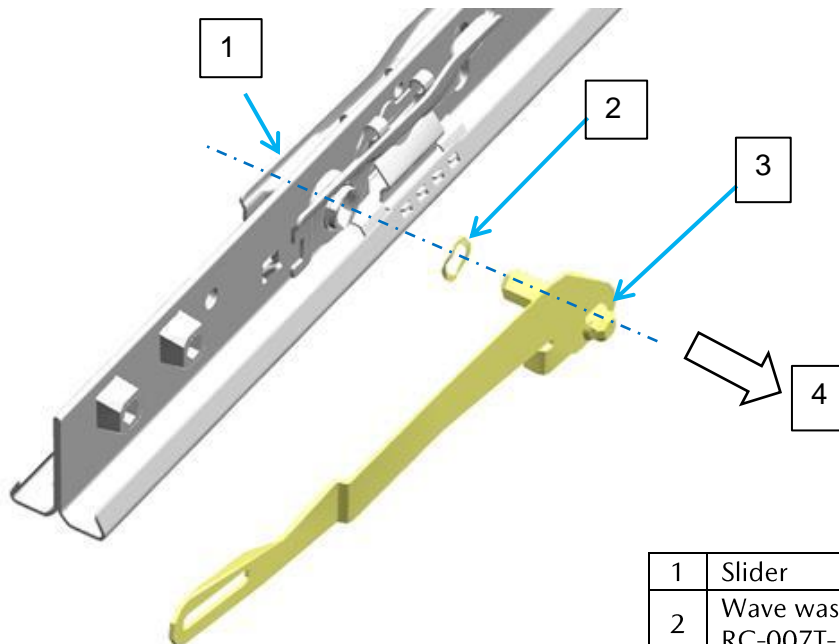
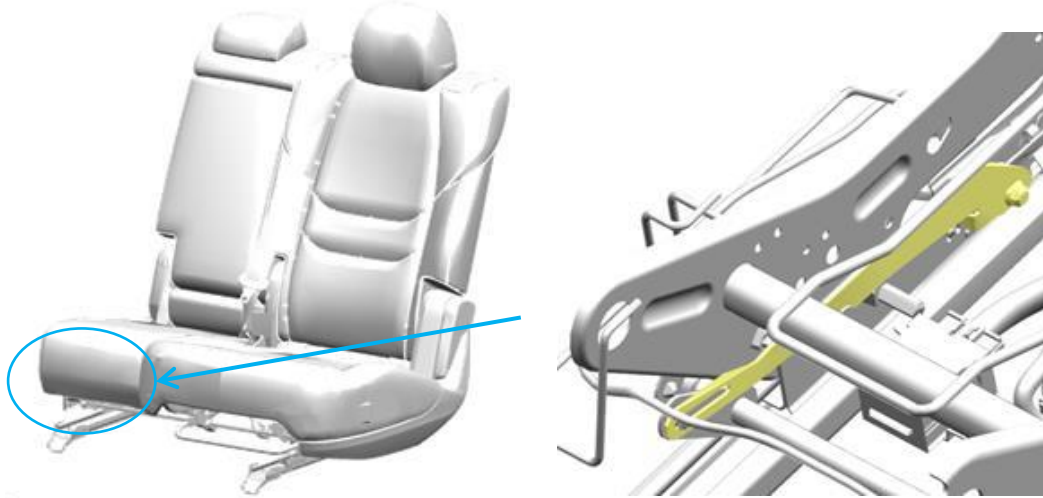


1	E-ring: 99576-0400
2	Link lever

Note: If there is no damage, E-ring can be reused.

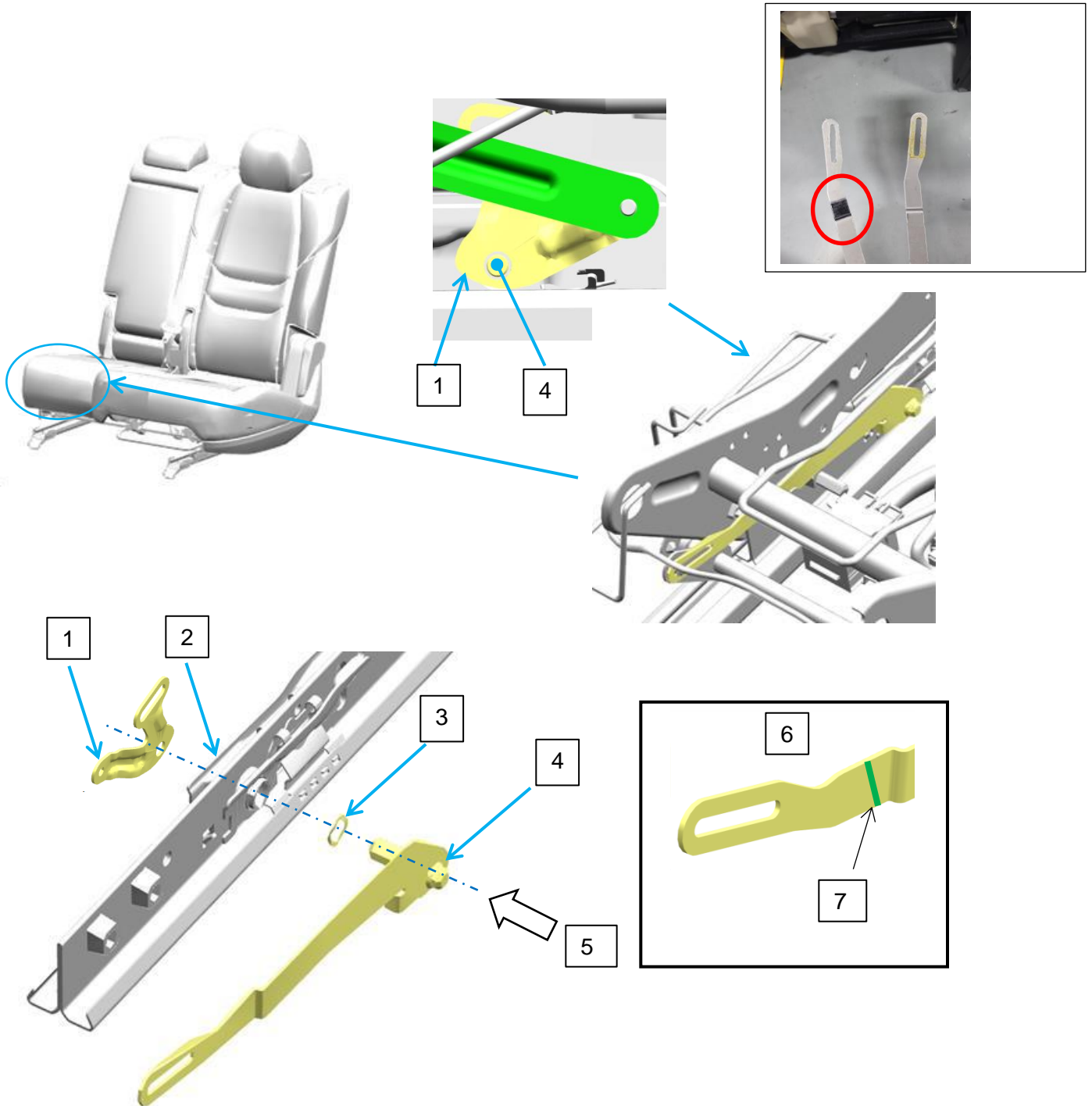
4. Remove the link lever and wave washer.

※Make sure to remove the wave washer.



1	Slider
2	Wave washer: RC-007T-187
3	Link lever
4	Link lever: Remove direction

5. Set the modified link lever and make sure that the new link has a black mark on the link lever.



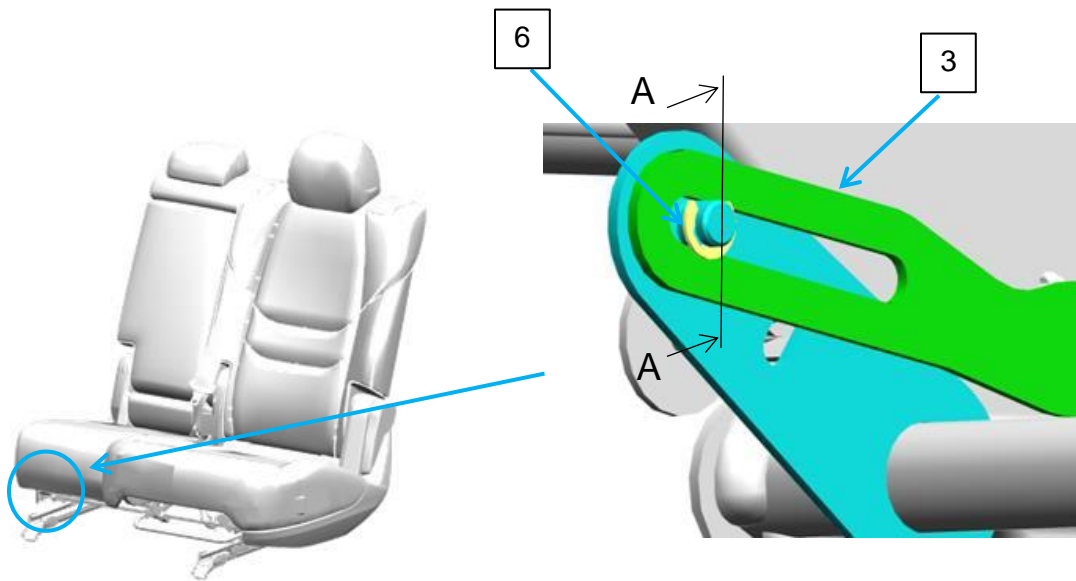
※Make sure the wave washer and the bracket are both assembled.

1	Bracket	5	Link lever: Set direction
2	Slider	6	※Make sure a link lever set has the marking.
3	Wave washer: RC-007T-187	7	Marking sample
4	Link lever	-	-

6. Install the E-rings.

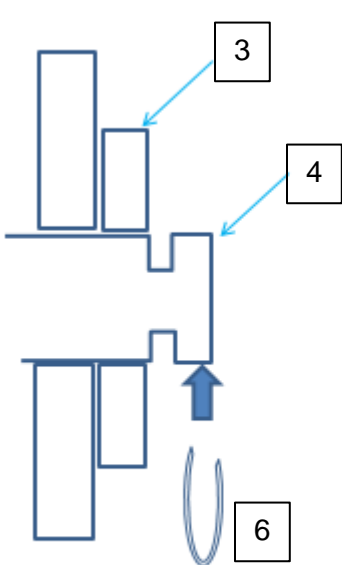
Note: If there is no damage, E-ring can be reused.

Caution of E-ring installation



1

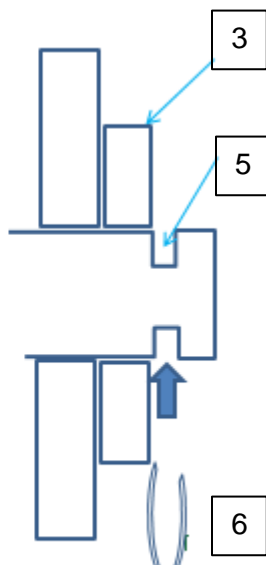
NG



SEC. A-A

2

OK



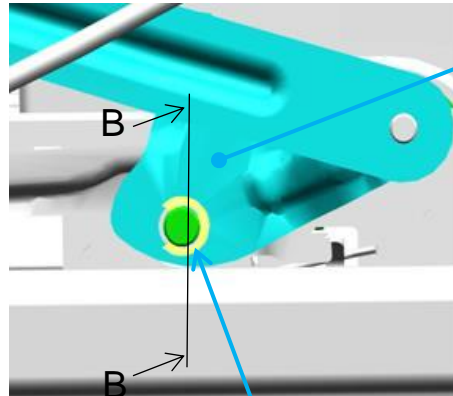
SEC. A-A

1	NG: E-ring is Not into groove.
2	OK: E-ring is into groove.
3	Link lever
4	Head
5	Groove
6	E-ring 99576-0400



1

NG



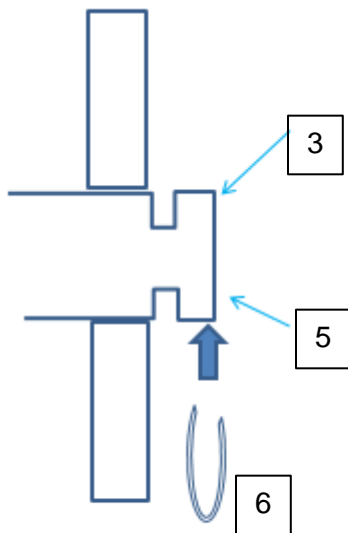
2

OK

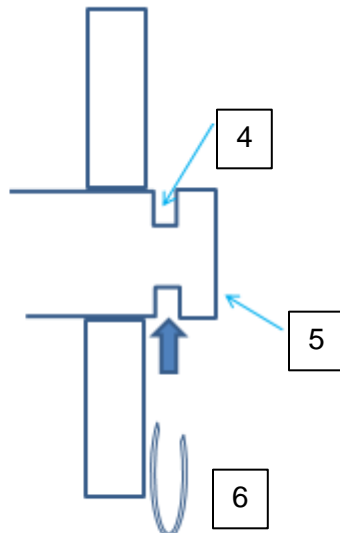


5

6



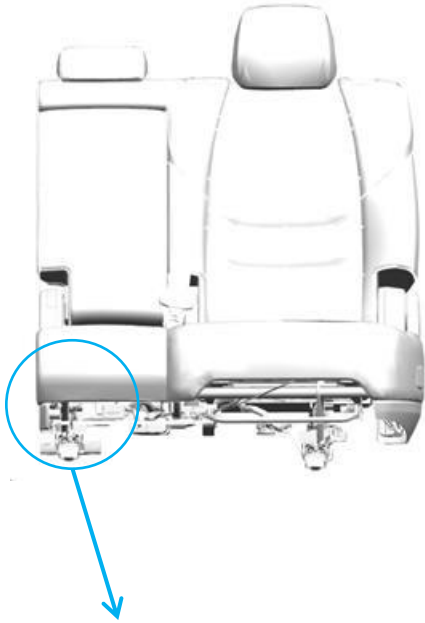
SEC. B-B



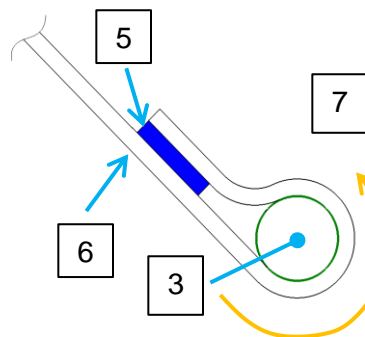
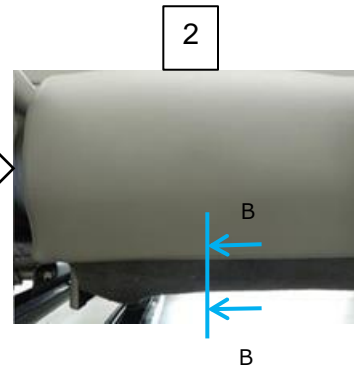
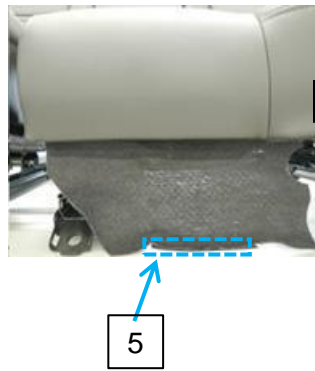
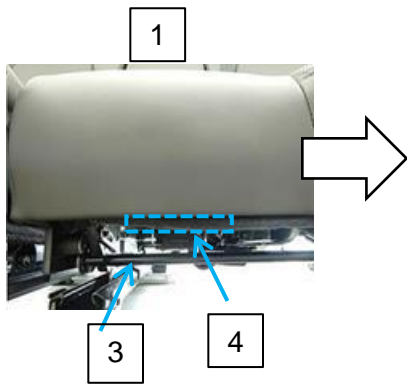
SEC. B-B

1	NG: E-ring is Not into groove.
2	OK: E-ring is into groove.
3	Head
4	Groove
5	Link lever
6	E-ring 99576-0600

7. Reinstall the seat cushion trim that you previously rolled up.

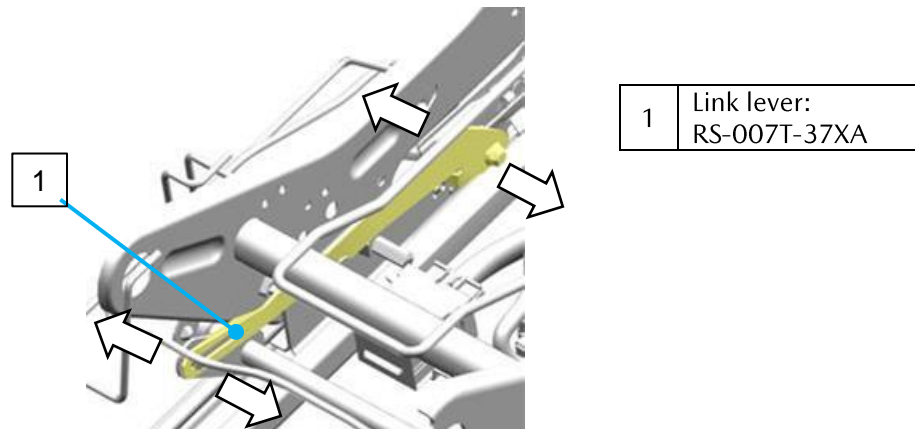


1	Cushion trim which was moved aside
2	Cushion trim in the correct place
3	Pipe
4	Peel Velcro
5	Velcro
6	Trim
7	Trim and Velcro should be binded after passing Trim under Pipe.

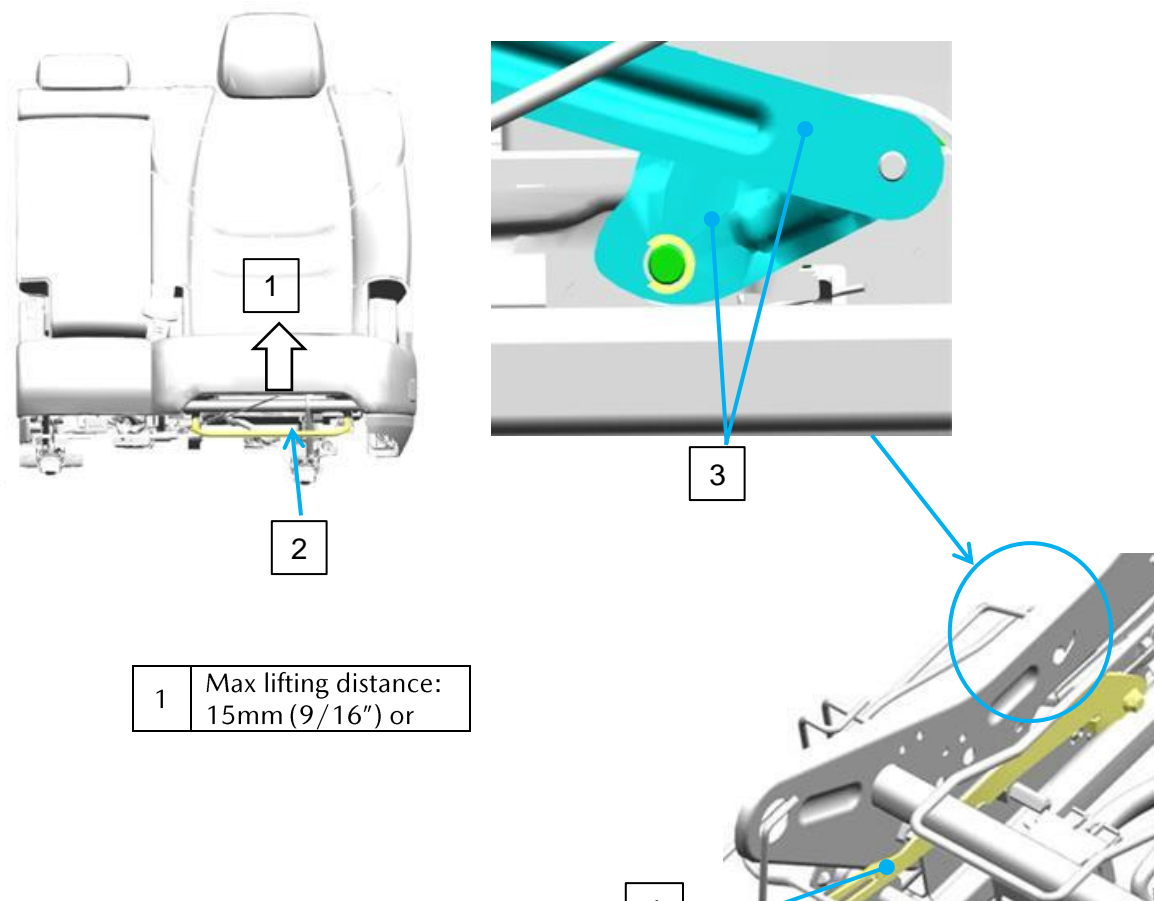


4. Operation check and Inspection of Link Lever

1. Shake the link lever several times in the direction of the arrow and make sure that there is not any abnormal play.



2. Operate the slider lever and make sure that the link lever and component parts work as designed.



	less
2	Slider lever
3	Link part
4	Link lever: RS-007T-37XA

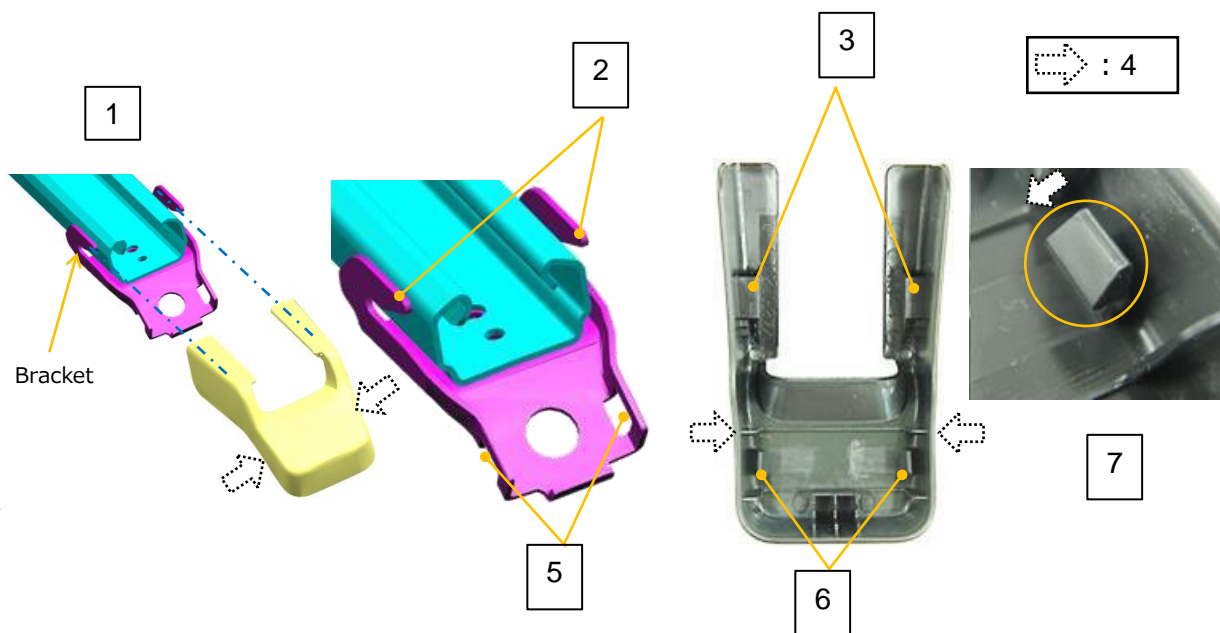
5. Reinstalling Seat

Reinstall the 60 Split seat in reverse order of "How to Remove Seat" (Step 1)

※ Make sure to reconnect the connector under the 60 Split seat.

※ Tightening torque of bolts is 37 – 54 N-m (3.8 – 5.5 kgf-m, 28 – 39 ft-lbf)

Installing Front Adjuster Cover

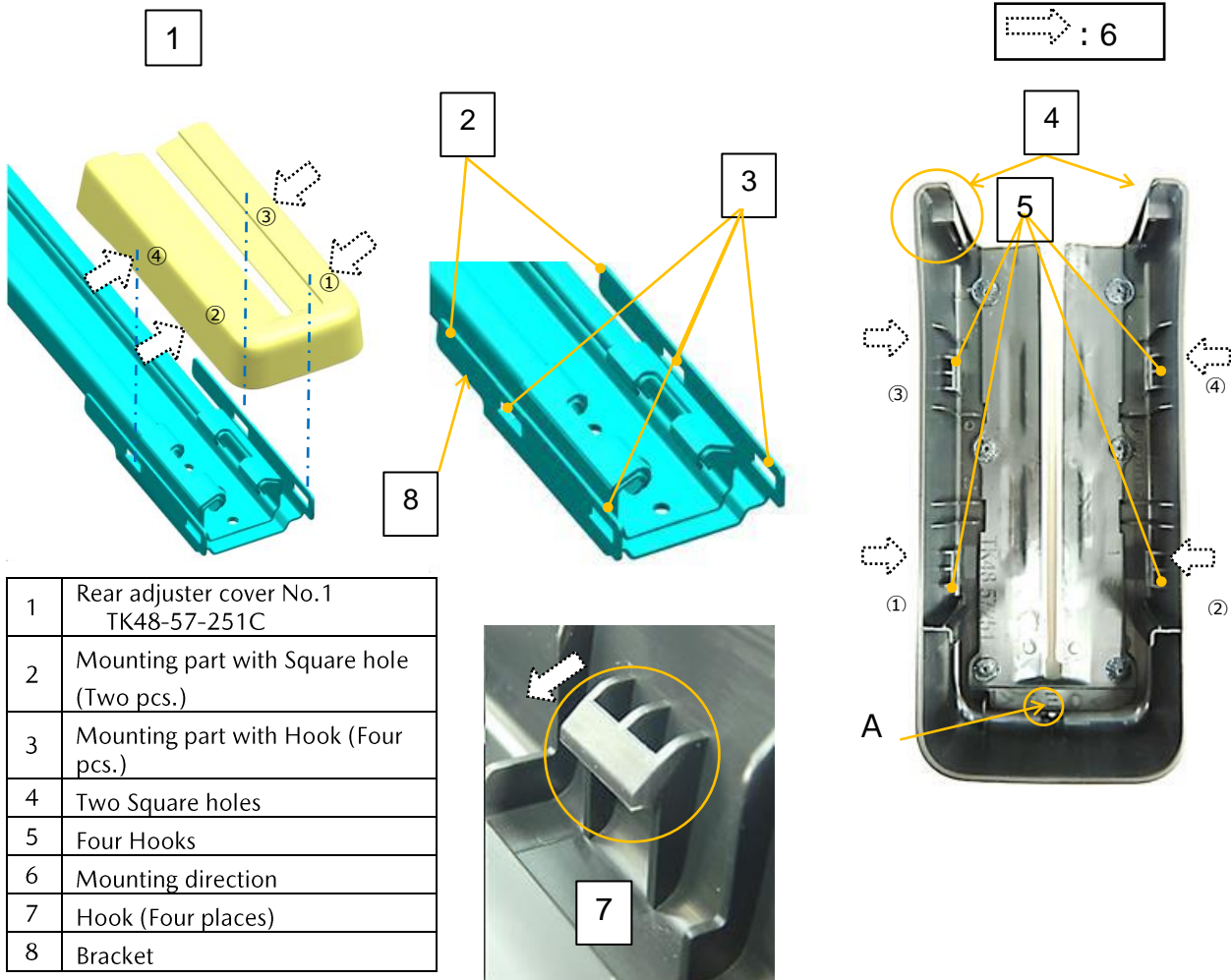


1	Front adjuster cover NO.1 TK48-57-241	5	Mounting part with two Hooks
2	Mounting part with two Square holes	6	Two Hooks
3	Two Square holes	7	Hook (Two places)
4	Mounting direction	-	-

1) Insert the mounting part No.2 into the square holes until it clicks.

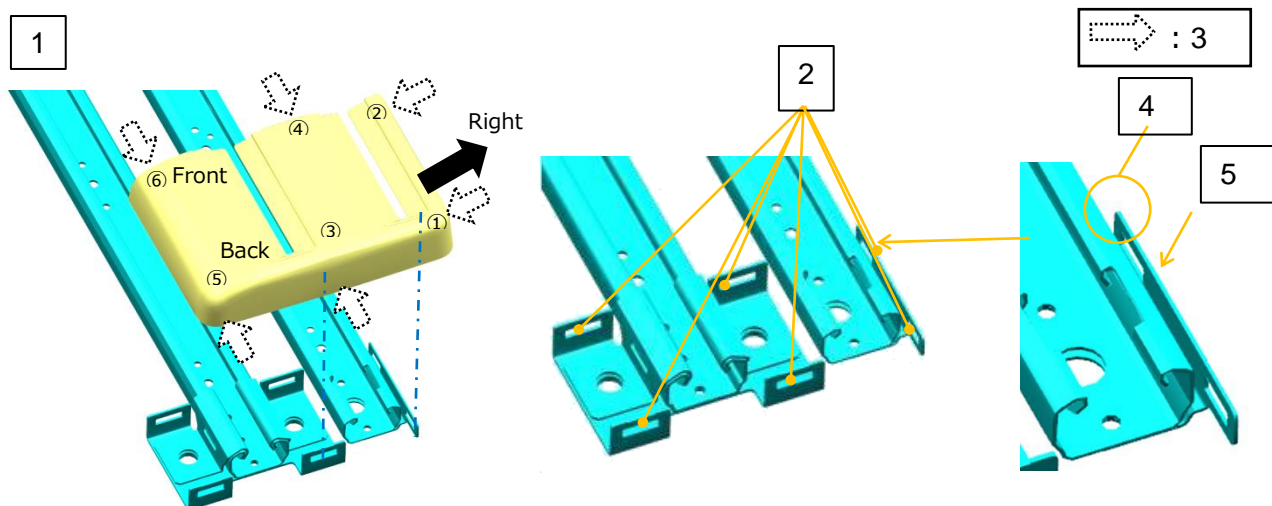
2) Push the cover around the hooks to insert them into the mounting part No.5.

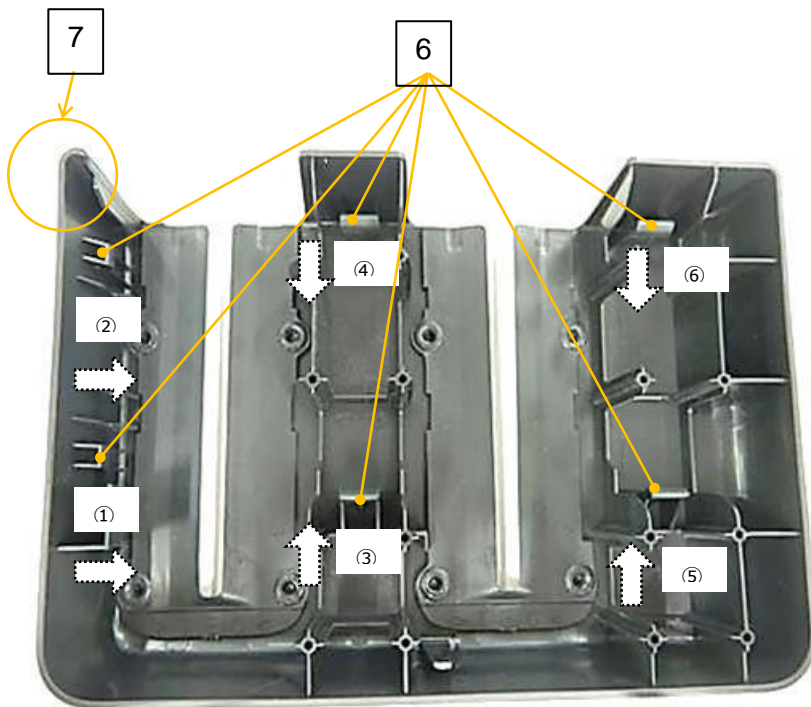
Installing Rear Adjuster Cover No.1



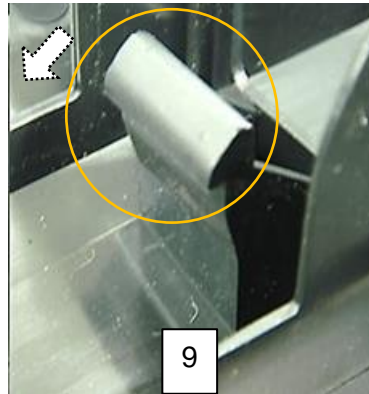
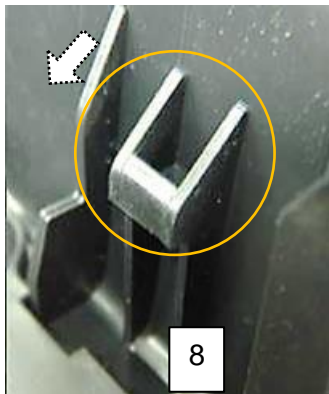
- 1) Insert the mounting part No.2 into the square holes.
- 2) Push the cover to insert the hooks into then mounting part No.3.

Installing Rear Adjuster Cover No.2





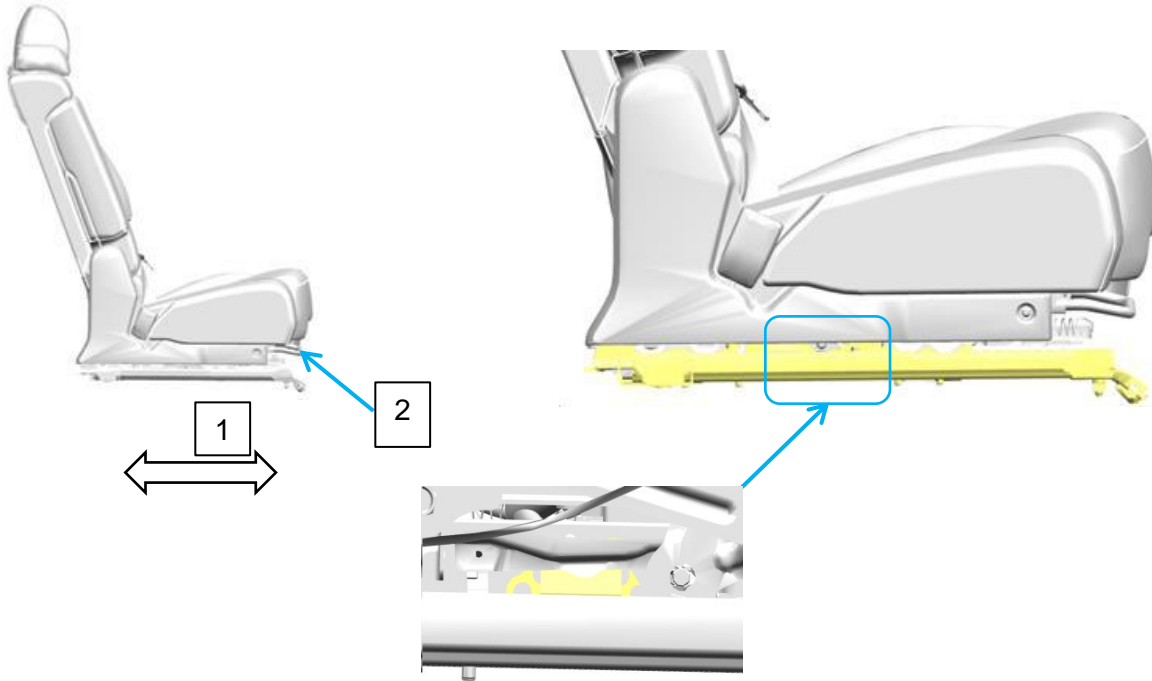
1	Rear adjuster cover No.2 TK48-57-252C
2	Mounting part with Square hole (Six pcs.)
3	Mounting direction
4	Mounting part with Guide of Cover
5	Bracket
6	Six Hooks
7	Guide
8	Hook ①, ② (Two pcs.)
9	Hook ③, ④, ⑤, ⑥ (Four pcs.)



- 1) Set the rear adjuster cover No.2 along the guide with the bracket and push the cover around the hook ① and ②.
- 2) Push the cover around the other hooks to insert them into the mounting part No.2.

6. Operation check and Inspection

Operate the seat slider to make sure if there is no abnormal noise or sticking.



1	Operate back and forth
2	Slider lever
3	Slide lock part

3

Reconnect Negative Battery Cable and reset customer's settings, windows, and liftgate.

C. CAMPAIGN LABEL INSTALLATION

- a. Fill out a Black "Campaign Label" (9999-95-055A-06) with Campaign No: "52211", your dealer code, today's date.

CAMPAIGN LABEL

CAMPAIGN NO: _____

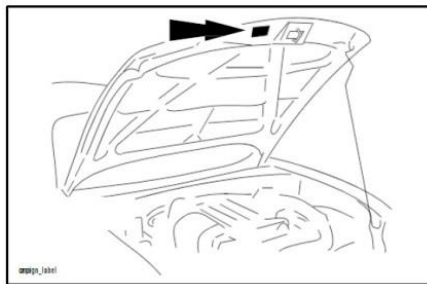
DEALER CODE: _____

DATE: ____/____/____

PIN 9999-95-055A-06

1328

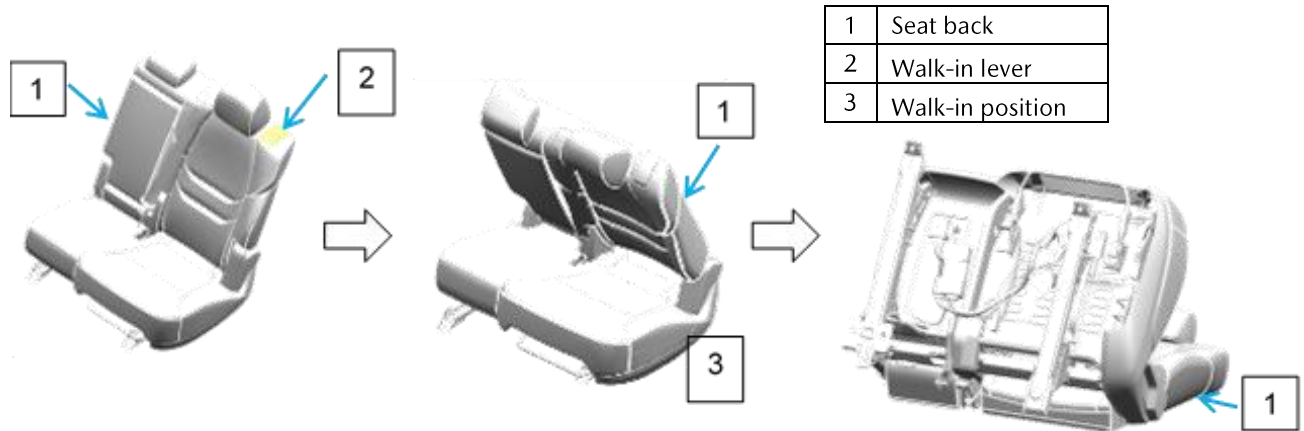
- b. Affix it to the hood as shown:



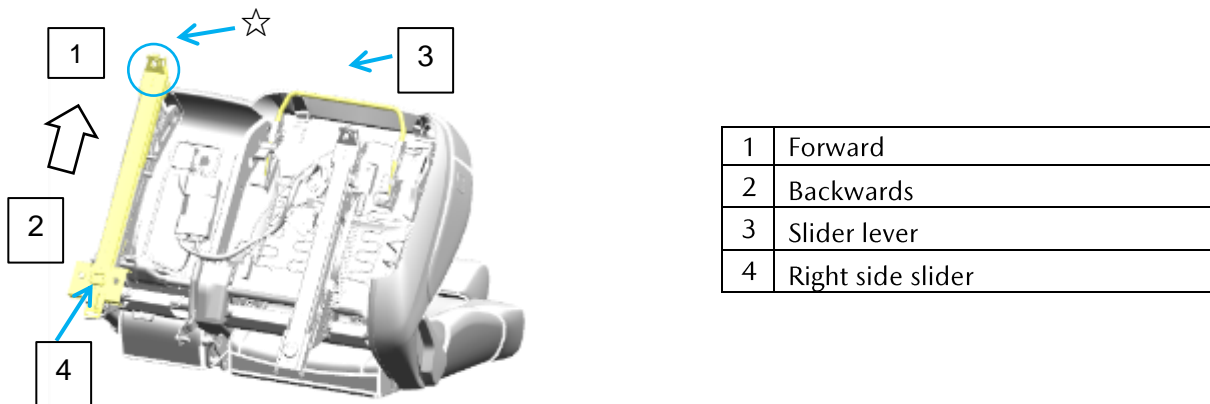
END OF REPAIR PROCEDURE

Procedure of Slider synchronizing

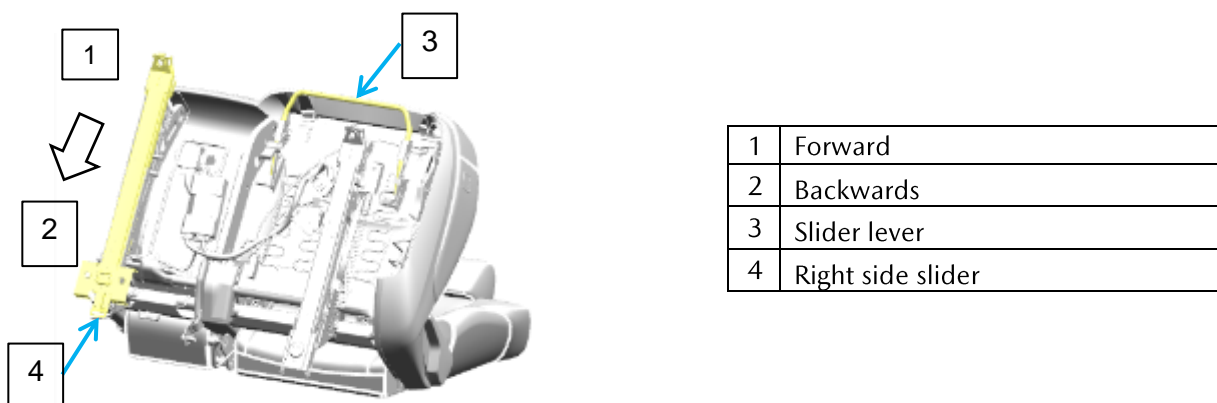
Caution: Make sure to hold the left side slider when operating the slider lever. When operating the slider lever and releasing the slide lock, the slider will move rapidly due to the force of the slider spring.



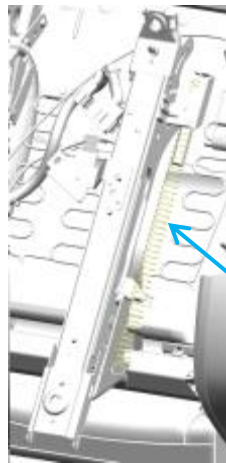
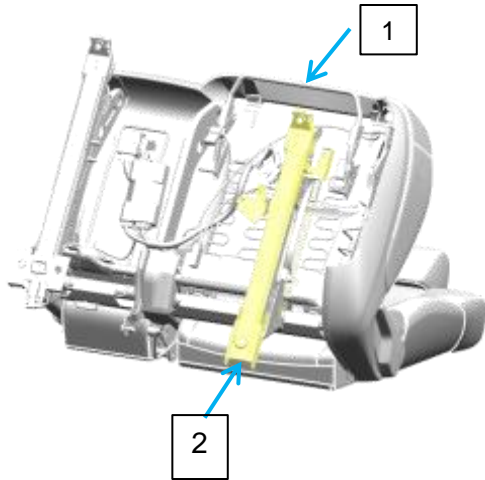
A. Lift the slider lever and move the right-side slider upward to the end



B. Move the right-side slider downward to the end.



- C. Repeat the same operations in steps B and C on the left side slider.
Slider synchronizing is completed.



1	Slider lever
2	Left side slider
3	Spring