

# Product Safety Recall

## N212343881 High Voltage Battery May Melt or Burn



Release Date: October 2021

Revision: 00

**Attention:** It is a violation of Federal law for a dealer to deliver a new motor vehicle or any new or used item of motor vehicle equipment (including a tire) covered by this notification under a sale or lease until the defect or noncompliance is remedied.

Vehicles involved in this recall were placed on stop delivery in safety recall N212343880 on July 23, 2021.

**All involved vehicles that are in dealer inventory must be held and not delivered to customers, dealer traded, used for loaners, or used for demonstration purposes until the repair contained in this bulletin has been performed on the vehicle.**

This safety recall bulletin contains the final remedy for VINs originally released in safety recall N212343880. N212343880 contains an interim service procedure, not the final remedy. When the final remedy is available for a specific vehicle, that vehicle will be moved from the population of N212343880 into the population of this bulletin N212343881 and will be marked "Open" in IVH.

**Danger: Carefully read this bulletin before beginning the remedy procedure. This bulletin contains important legal and safety requirements that must be followed in order to safely replace the vehicle's high voltage battery in compliance with applicable federal, state, provincial, and local laws. To avoid injury or death, use of a forklift is required to safely load and unload crated batteries into and out of delivery trucks. Failure to carefully follow the procedures in this bulletin may result in serious injury or death.**

**IMPORTANT:** The warranty information section of this bulletin has information regarding the required documentation of the replacement high voltage battery identification number in the warranty claim.

**IMPORTANT:** US dealers should only use the "Bolt EV Battery Safety Recalls" app in Global Connect to arrange a high voltage battery core return. **DO NOT** call CCA Logistics.

Dealer Forklift Requirements: At least one (1) 3,000-pound (1,361kg) forklift within the Chevrolet dealership premises along with ample space to maneuver the Forklift between service bays. The Forklift must have forks that are a minimum length of 48 inches (122cm); 60 inches (152cm) is preferred, or fork extensions available to meet this requirement. In addition, at least one trained employee that is forklift certified in accordance with local, state, provincial, and federal regulations is required.

**ONLY EV Certified dealers can complete this repair.**

**For Markets other than US and Canada, Refer to Field Action bulletin N212343882.**

### Table of Contents

Content	Page Number
Vehicle Preparation Before Entering the Repair Garage	2
Adjusting (Reducing) the SOC	4
Storage Guidelines	4
Parts Ordering Information	4-5
Parts Retention and Return	5-6
Warranty Information	7-8
Tool Specifications	8
Personal Protective Equipment	9
High Voltage Battery Replacement Service Procedure	9-10
Unloading Service High Voltage Battery from crate using FORKLIFT	15-21
Programming	21-26
Removed Battery Return Preparation	26-33
Engine Hoist and Pallet Jack Method for Uncrating/Crating	33-40
Final Shipping Preparation	40-46

# Product Safety Recall

## N212343881 High Voltage Battery May Melt or Burn



Make	Model	Model Year		RPO	Description
		From	To		
Chevrolet	Bolt EV	2017	2019		

Involved vehicles are marked “Open” on the Investigate Vehicle History screen in GM Global Warranty Management system. This site should always be checked to confirm vehicle involvement prior to beginning any required inspections and/or repairs.

<b>Condition</b>	General Motors has decided that a defect which relates to motor vehicle safety exists in certain 2017-2019 model year Chevrolet Bolt EV vehicles. The high voltage batteries in these vehicles may pose a risk of fire when charged to full, or very close to full, capacity.
<b>Correction</b>	Dealers will replace the lithium-ion battery pack in the vehicle.

### Vehicle Preparation Before Entering the Repair Garage

The vehicle must have a minimum of 24 hours between the last high voltage battery charge (plug in charging) and the beginning of the high voltage battery removal. In addition, the high voltage battery must be at a state of charge (SOC) less than 90%. **Perform the following steps BEFORE the high voltage battery removal.**

- Do not plug-in charge the vehicle prior to performing the GDS2 parameter inspection procedure.
  - Do not clear DTC Information before GDS2 parameter inspection procedure.
  - Do not program any control module until instructed to do so.
1. Once the vehicle is received for service it should not be plug-in charged until the replacement high voltage battery has been installed. Place masking tape over the charge receptacle door to prevent unintended charging. The tape should not be removed until after the replacement high voltage battery has been installed.
  2. Perform a vehicle diagnostic system check prior to using this diagnostic procedure. Refer to *Diagnostic System Check – Vehicle* in SI.
    - If any Powertrain DTCs (Pxxxx) are set, store any Freeze Frame/Failure Records for possible later retrieval and proceed to Step 3.
    - If no DTCs are set, go to Step 3.
  3. Vehicle ON, use GDS2 to view the following data screens while connected to the vehicle:
    - From Module Diagnostics, select Hybrid Powertrain Control Module 2.
    - Data Display Folder.
    - Data Display Icon.
    - Voltage Data.
      - Observe and record the parameter *Hybrid/EV Battery Pack State of Charge*.

*Hybrid/EV Battery Pack State of Charge* (Value A): \_\_\_\_\_
- Vehicle ON, use GDS2 to view the following data screen while connected to the vehicle to confirm the high voltage battery has not been charged for at least the past 24 hours.

# Product Safety Recall

## N212343881 High Voltage Battery May Melt or Burn



Parameter Name	Value	Unit	Control Module
Battery Charger High Output	0.00	A	Hybrid/EV Powertrain Control Module 2
Battery Charger High Voltage Energy Output During Last Charge	4.00	kW	Hybrid/EV Powertrain Control Module 2
Battery Charging System Indicator Status	Inactive		Hybrid/EV Powertrain Control Module 2
Proximity Detection Circuit	4.43	V	Hybrid/EV Powertrain Control Module 2
Battery Charger AC Input Status Duty Cycle	10	%	Hybrid/EV Powertrain Control Module 2
Battery Charger DC Output Status Duty Cycle	70	%	Hybrid/EV Powertrain Control Module 2
Time Propulsion System Was Inactive	4260	s	Hybrid/EV Powertrain Control Module 2
Charging System Inactive Time	62242	s	Hybrid/EV Powertrain Control Module 2

5906530

- From Module Diagnostics, select Hybrid Powertrain Control Module 2.
- Data Display Folder.
- Data Display Icon.
- Battery Charger Control Module Data.
- Observe and record the parameters.

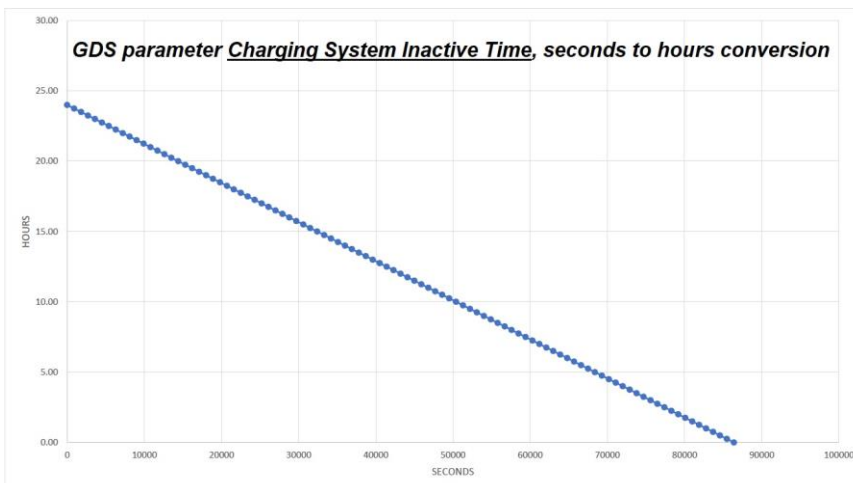
Charging System Inactive Time (Value B) : \_\_\_\_\_

Compare Hours in Seconds (Value C) : 86,400

**IMPORTANT:** Vehicles charged within the last 24 hours should be parked outside of the dealership until it has been 24 hours since the last charging event. Do NOT remove the high voltage battery from the vehicle until the inactive time (Value B) is equal or greater than 24 hours or 86,400 (Value C). Proceed to Step 5. The state of charge can also be adjusted during this time.

#### 4. Compare the Inactive Time (Value B) to the 24-hour time (Value C).

- If the Inactive Time (Value B) is greater than 86,400 (Value C) proceed to Step 5 (Maximum recorded value is 131,070).
- If the Inactive Time (Value B) is less than 86,400 (Value C) subtract Value B from Value C. Example: If value B is 62,242, subtract this number from 86,400. The delta is 24,158.
  - Find this value (24,158) on the horizontal axis on the chart below.
  - Identify the corresponding hours on the vertical axis based on the point on the blue line in the graph.
  - Subtract the hours on the vertical axis from 24 hr.
  - This is the wait time required before performing the repair.



5907871

# Product Safety Recall

## N212343881 High Voltage Battery May Melt or Burn



5. Review the previously recorded Hybrid/EV State of Charge parameter (Value A).
  - If the High Voltage Battery State of Charge is less than 90% and it has been at least 24 hours since the last plug-in charge event, proceed to the High Voltage Battery replacement.
  - If the High Voltage battery State of Charge is 90% or greater, proceed to the Adjusting (Reducing) the SOC section.

### Adjusting (Reducing) the SOC

**Caution:** During this procedure, a puddle of water may form around the vehicle from HVAC system drainage. Use care to prevent any slip/fall conditions.

**Note:** Each hour of operation will reduce SOC by about 10%. Left unattended, the vehicle will automatically turn OFF after 2 hours. This procedure must be performed in a secure location because the vehicle is in a drivable condition. Take proper steps to ensure no unauthorized drivers have access to the vehicle.

- Vehicle in PARK, Vehicle ON.
- Headlamps Low Beam: ON.
- Temp Control: Hi (Max Heat High) (note: windows should be down).
- Distribution: MAX Defrost (Engages AC Compressor).
- Fan Speed: High (8).
- Select: Fresh Air (Not recirc).
- Select: Heat & A/C .
- If equipped, turn heated seats to hi position.
- Verify SOC after 60 minutes. If the SOC is less than 90%, proceed with the steps below. If the SOC above 90%, allow additional power burn off time.
- When the SOC adjustment is completed return the HVAC controls to 72 Deg. AUTO, Set the headlamp control to AUTO.

### Parts Information

Quantity	Part Name	Part No.
1*	BATTERY- HIGH VLTG	19432520
1** (if required)	HOSE HIGH VLTG (2017 only)	42557402
2	COOLANT ENGINE (50/50 Mix)	12378390 US 10953456 CA

\* See "Parts Ordering Information" section below.

\*\* Order through CCA.

### Storage Guidelines for Containerized High Voltage Batteries

- Store the High Voltage Battery flat.
- Store the High Voltage Battery in an environmentally protected area (indoors).
- Protect the High Voltage Battery from exposure to liquids.
- Protect the High Voltage Battery from physical damage.

### Parts Ordering Information

**For Markets other than US and Canada, refer to Field Action bulletin N212343882.**

#### **For US Dealers:**

In order to simplify the ordering process for high voltage batteries necessary to perform repairs under THIS RECALL, the high voltage battery ordering process requiring authorization from the Technical Assistance Center (TAC) is not required. Battery ordering will be completed using the "Bolt EV Battery Safety Recalls" app in GlobalConnect. The application can be located in either the "App Center" or "Parts Department" in GlobalConnect. All other high voltage battery orders NOT related to the recall must continue to be authorized through Technical Assistance. Once you locate and enter the app you will be connected directly to the Spiers

# Product Safety Recall

## N212343881 High Voltage Battery May Melt or Burn



New Technologies (SNT) ordering portal. At this point simply click the “Create New Recall Order” to begin the process. Before visiting the SNT ordering portal, please have all required information available (shown below).

Note that in addition to order placement, this app is also used to arrange for the high voltage battery core return.



5903430

US dealers will get their replacement packaging materials through the SNT app in Global Connect (same app as they use to order and return the high voltage battery).

### For Canadian Dealers:

Once the Dealer receives confirmation from Customer Call Centre (CCC) regarding the Customer VIN to be repaired, Dealers will order a high voltage battery directly through York Electronics in Oshawa Canada.

High voltage batteries may be ordered from York Electronics by logging onto the York Electronics website ([www.yorkelec.com](http://www.yorkelec.com)) using the username and password created for your Dealership. Order Part Number 19432520.

Canadian dealer online order process:

- Log in to the website.
- Click on the Bolt EV/EUV Battery Recall icon.
- Complete all required fields and submit the order.
- A copy of the order will be emailed to the email address used to log into the online order system.
- Once the order is processed by the York Electronics order desk, a confirmation email from York will be sent indicating the order was successfully received.

**Note:** For concerns with the online ordering process, please contact YORK ELECTRONICS OSHAWA at 1-888-650-9675 ext. 307.

### Required Information for U.S. and Canada

Dealer Name: \_\_\_\_\_

Dealer Code: \_\_\_\_\_

Shipping Address: \_\_\_\_\_

Contact At Dealership (include phone number and email address): \_\_\_\_\_

Dealerships Preferred Dealer Delivery Time/Date for Dealer Forklift Operator (Must be within 24 hours of the order time): \_\_\_\_\_

Hours of operation: \_\_\_\_\_

Part # Being Ordered: 19432520

VIN # \_\_\_\_\_

Model Year: \_\_\_\_\_

### Parts Retention and Return

For Markets other than US and Canada, Refer to Field Action bulletin N212343882.

#### Parts Retention and Returns (United States Service Agents ONLY)

All high voltage Li-Ion batteries are GM assets and are required to be returned. Dealers are to return the high voltage battery as soon as possible after completion of the repair. If the batteries are not **returned within 30 days**, the dealer will be charged back a core charge.

**Important:** Shipment of these high voltage Li-Ion batteries is regulated by dangerous goods transportation laws. GM Dealer Parts and Accessories Policies and Procedures requires that dealers comply with all applicable

# Product Safety Recall

## N212343881 High Voltage Battery May Melt or Burn



dangerous goods transportation laws, including but not limited to having at least one employee be certified in the transportation of dangerous goods as required by law. Additional resources for dangerous goods transportation can be found as part of appendix G in the latest version of Service Bulletin #99-00-89-019. All dangerous goods must be shipped in accordance with all applicable federal, state, provincial, and local laws.

### **Drive Motor Battery Core Return Process (United States Service Agents ONLY)**

**Important:** Dealers must submit a core return request through the “Bolt EV Battery Safety Recalls” app in Global Connect. The app is available in the Global Connect App Center. It is the same app used to order batteries for the recall. **DO NOT CALL CCA Logistics.**

**Important:** For shipping preparation instructions, refer to “Final Shipping Preparation” information following the Service Procedure at the end of this bulletin.

DO NOT wait for the warranty claim to be processed before returning the removed high voltage battery. This part is GM’s material and is not claimed under the warranty labor operation. Place a copy of the repair order with the high voltage battery to be returned. Failure to return a copy of the repair order with the shipment may result in a debit. Attach the completed return shipping tag to the shipping crate. DO NOT return the high voltage battery in any crate other than the crate that the service high voltage battery was delivered in. The removed unit must be returned complete in the original shipping crate.

For questions about your order status, how to return exchanged material, or to verify battery receipt contact:

1-833-33 GM BSC (1-833-334-6272)

### **Drive Motor Battery Core Return Process (Canadian Service Agents ONLY)**

**Important:** For shipping preparation instructions, refer to “Final Shipping Preparation” information following the Service Procedure at the end of this bulletin.

#### **Email to arrange LTL pickup for the high voltage battery:**

Send an email to: [GMBatteryReturns@xpo.com](mailto:GMBatteryReturns@xpo.com).

You will be required to provide size (l x w x h) and weight. This information is available on the GM0003 tag. If your facility does not have a loading dock, please ensure XPO understands that this shipment will be loaded at ground level. (LTL carrier will need to bring required equipment).

Specify Return address:

Vancouver Serviced Dealers: Day & Ross Vancouver X-Dock  
27475 58th Crescent  
Langley, BC

Edmonton Serviced Dealers: Day & Ross Edmonton X-Dock  
11727 – 178th Street  
Edmonton, Alberta

Woodstock Serviced Dealers: Day & Ross Woodstock X-Dock  
520 Beards Lane, Unit B  
Woodstock, Ontario

Montreal Serviced Dealers: Day & Ross Montreal X-Dock  
5000 Trans Canada Hwy  
Pointe Claire, PQ

For individual batteries over 500 kg. (1102 lbs.) – included with your new battery will be four (4) Class 9 TDG placards. Please provide these to the driver and **ensure** placards are affixed to the vehicle before departing.

Refer to GM GlobalConnect for the latest GM Canada Parts Bulletin (GMP2021-213) relating to procedures for return of EV Batteries or Sections. This can be found under Parts Bulletins & Resources located in the application section of the Parts Department page.

Canadian Dealers DO NOT return batteries to the ESC or to the WPC.

**Note:** If the removed high voltage battery is not returned within 10 business days of receipt of the exchange component, the entire transaction will be debited, and the dealer will also be charged the value of a service high voltage battery.

**Important:** The high voltage battery may also be referred to drive motor battery throughout this service procedure.



# Product Safety Recall

## N212343881 High Voltage Battery May Melt or Burn



### Warranty Information

**For Markets other than US and Canada, Refer to Field Action bulletin N212343882.**

Labor Operation	Description	Labor Time	Trans. Type	Net Item
9105785*	Drive Motor Battery Replacement and Shipping Preparation (Includes Programming, Capacity Learn, EV Range Reset) (Using Forklift)	4.5	ZFAT	**
	ADD: Using Engine Hoist	0.5		
	ADD: To Replace High Voltage Battery Coolant Cooler Outlet Hose -Only applies to MY17 Vehicles built prior to May 1, 2017	0.3		
	ADD: Discharge High Voltage Battery (Reduce SOC)	0.2		
9105995	Working Capital Assistance Program Reimbursement – USED INVENTORY ONLY	N/A		***

**Note:** To avoid having to “H” route the WCAP transaction for approval, it must be submitted prior to the repair transaction.

**Important:** \* To avoid warranty transaction rejections, carefully read and follow the instructions below:

- The Warranty Claim Code must be accurately entered in the “Warranty Claim Code” field of the transaction.
- When more than one Warranty Claim Code is generated for a programming event, it is required to document all Warranty Claim Codes in the “Correction” field on the job card. Dealers must also enter one of the codes in the “Warranty Claim Code” field of the transaction, otherwise the transaction will reject. It is best practice to enter the FINAL code provided by SPS/SPS2.

\*\* Submit a \$520.00 USD (\$624.00 CAN) administrative part allowance. Add this amount in the Administrative Allowance Net Item field when submitting the repair transaction.

\*\* Submit a \$600.00 USD (\$720.00 CAN) administrative allowance for recall specific impacts to technician and service department throughput, Business Development Centers, high voltage battery handling and storage, tools and equipment, including forklifts, and miscellaneous shop supplies.

\*\* Submit a \$20.00 (\$25.00 CAN) administrative allowance for return of the used high voltage battery assembly (document preparation and packaging). Add this amount in the Administrative Allowance Net Item field when submitting the repair transaction.

For Export Only – Submit an administrative allowance for return of the used high voltage battery assembly (document preparation and packaging). Add 0.2 in the labor time field when submitting the repair transaction.

\*\* Involved vehicle owners are eligible for courtesy transportation while their vehicle is being repaired. If courtesy transportation is required, add the actual cost in the appropriate Net Item field when submitting the repair transaction. Refer to GM Warranty Administration Bulletin 18-NA-094 for Courtesy Transportation Program guidelines.

### Warranty Claim Code Information Retrieval

If the Warranty Claim Code was not recorded on the Job Card, the code can be retrieved in the SPS system as follows:

1. Open TIS/TLC on the computer used to program the vehicle.
2. Select and start SPS/SPS2.
3. Select Settings.
4. Select the Warranty Claim Code tab.

The VIN, Warranty Claim Code and Date/Time will be listed on a roster of recent programming events. If the code is retrievable, dealers should resubmit the transaction making sure to include the code in the SPS Warranty Claim Code field.

### **Working Capital Assistance Program (WCAP) Reimbursement – USED INVENTORY ONLY**

**Note:** USA & Canada Only - To avoid having to “H” route the WCAP transaction for approval, it must be submitted prior to the repair transaction.

**Important:** The WCAP ZSET transaction labor code, 98000076, provided in the dealer message sent on August 6, 2021, must have been submitted prior to the submittal of the ZFAT transaction labor code or the claim will reject.

# Product Safety Recall

## N212343881 High Voltage Battery May Melt or Burn



\*\*\* **USA & Canada Dealers Only** - For vehicles eligible under the Working Capital Assistance Program, the amount should be submitted in Net Item/Miscellaneous. This amount has been calculated to a daily value for the days that the vehicle was in used dealer inventory and not available for sale. This reimbursement is limited to the number of days from the date of the stop sale/stop delivery order July 23, 2021 to the date the inspection or repair closed the recall bulletin. (not to exceed 76 days).

Vehicle	Working Capital Assistance Reimbursement Amount	
	USA	Canada
2017 Chevrolet Bolt EV	\$6.91	\$9.58
2018 Chevrolet Bolt EV	\$7.79	\$11.00
2019 Chevrolet Bolt EV	\$8.60	\$12.04

### Identification Number Recording for All High Voltage Battery Replacements:

The screenshot shows a software interface with a table of parts. The 'Serial Number' column is highlighted with a red box. Below the table, there are input fields for 'Causal Part Number' and a description field.

5906711

**Important:** (TECHNICIAN and WARRANTY ADMINISTRATOR) REQUIREMENT FOR THE SERVICE HIGH VOLTAGE BATTERY. The replacement battery identification number must be captured by the technician and recorded on the job card. The Warranty Administrator **MUST** enter the service high voltage battery identification number in GWM (Global Warranty Management) or in DMS (Dealer Management System). Enter the identification number of the service high voltage battery in the 'Serial Number' field (1) per the screen above. Failure to enter this identification number will cause the claim to reject.

### Tool Specifications:

#### Necessary tools for loading and unloading:

##### Forklifts are a requirement to load and unload crates from the transportation trailer.

- 3,000 lbs (1370 kg). capacity or larger.
- 60 inch (152 cm) forks 48 inch (122 cm) are acceptable for already existing forklifts.
- Stand-up, sit-down or walkie forklifts are acceptable.

##### Pallet Jacks are acceptable to move crates on flat surfaces including the interior of a trailer.

- 3,000 lbs. (1370 kg) capacity or larger.
- 48-60 inch (122-152 cm) forks.
- Recommended fork separation: 20 inch (51 cm).

##### Loading/Unloading Docks.

- Docks are preferred if available.
- Pallet Jacks are an acceptable option to load and unload in docks.
- Dock wells with grades exceeding 10% require a forklift, no pallet jacks allowed.

#### Necessary tools for moving crate within dealership and loading/unloading high voltage batteries in/out of crate.

Forklift (recommended).

- 3,000 lbs. (1370 kg) capacity; chain or lifting attachment; 48 inch (122cm) forks.

Engine Hoist (if Forklift not available).

- ½ ton capacity (454 kg); front leg width 36 inch (91 cm) max; lift 87 inch (221 cm) min.
- Process below defined for 8 inch (20 cm) top of legs.

Pallet Jack.



## Product Safety Recall

### N212343881 High Voltage Battery May Melt or Burn



- 3,000 lbs. (1370 kg) capacity; 7 inch (18 cm) lift minimum; 48 inch (122 cm) forks.

Cribbing for REMOVED high voltage battery when using Forklift (when removing from Lift Table and placing on ground).

- Two (2) 4x4s length 60 inch (152 cm) (minimum).

Cribbing for REMOVED high voltage battery when using Engine Hoist (when removing from Lift Table and placing on ground).

- Four (4) Jack Stands –w/stable base (square) and capable of holding 1,000 lbs (454kg).
- Two (2) 4x4s length 60 inch (152 cm) (minimum).

Cribbing for crate when using Engine Hoist.

- Two (2) 4x4s length 48 inch (122 cm) (minimum).
- Two (2) 4x4s length 60 inch (152 cm) (minimum).
- Two (2) 2x4s length 60 inch (152 cm) (minimum).

**Warning: Do not use a vehicle lift to retrieve a battery from the crate or place a battery in the crate to avoid serious injury.**

#### **Personal Protective Equipment:**

##### **Loading and Unloading:**

- Safety glasses.
- General use gloves (Hy-flex, Mechanix).
- Substantial footwear.

##### **Crating and Retrieving:**

- Safety glasses.
- General use gloves (Hy-flex, Mechanix).
- Substantial footwear.

##### **High Voltage Battery installation/removal:**

- Safety glasses.
- Class 0 Electrical gloves with leather protectors during harness connections/disconnections.
- General use gloves (Hy-flex, Mechanix) for mechanical tasks.
- Substantial footwear.
- Bump caps for work underneath lifted vehicle.

#### **High Voltage Battery Replacement Service Procedure**

**Danger:** Carefully read this bulletin before removing the vehicle's battery and unpackaging/installing the new high voltage battery into a vehicle. This bulletin contains important legal and safety requirements that must be followed in order to safely replace the vehicle's high voltage battery in compliance with applicable federal, state, provincial, and local laws. Failure to carefully follow these procedures may result in serious injury or death.

- Printed instructions are also provided in the high voltage battery crate.
- Do not discard or destroy the crate containing the new high voltage battery. The crate is required to return the used high voltage battery.
- Read and follow the crate unloading, loading, storage, and packaging instructions in this bulletin. When shipped, the high voltage battery is regulated as dangerous goods and all service agents must follow all applicable International, Federal, State, Provincial, and/or Local laws when preparing dangerous goods shipments including but not limited to classification, packaging, marking, labeling, and shipping dangerous goods.

## Product Safety Recall

### N212343881 High Voltage Battery May Melt or Burn



5903431

**When lifting and moving the crate with the high voltage battery inside, be aware of the Center of Gravity (CG) as noted on the long sides of the crate. Fork mast should be centered with this mark and forks should be widened out to their maximum width and equally spaced on either side of the CG mark.**

**Warning:** The use of a forklift is required when loading and unloading high voltage batteries into and out of delivery trucks. Other methods of loading and unloading have been deemed unsafe. Use a fork lift to avoid serious injury.

**Caution:** Be sure to set up a temporary location for the removed battery until final shipping preparation. Do not expose the crate to rain, snow or any other environment that will cause moisture related damage.

#### Special Tools

- EL-48900 HEV Safety Kit.
- EL-51102 High Voltage Battery Lift Bar Tilter.
- EL-51102-10 Lift Lateral Bar and Shackle Set.
- EL-51102-20 High Voltage Battery Lift Bar Tilter Eye-Nut Kit.
- EL-51102-40 Battery Lifting Strap (QTY 2).
- EL-51102-50 Battery Lifting Strap (QTY 4).
- GE-52200 Lifting Table.
- GE-52418 Lifting Table (Korea).

For equivalent regional tools, refer to Special Tools in SI.

**Danger:** Always perform the High Voltage Disabling procedure prior to servicing any High Voltage component or connection. Personal Protection Equipment (PPE) and proper procedures must be followed.

The High Voltage Disabling procedure includes the following steps:

- Identify how to disable high voltage.
- Identify how to test for the presence of high voltage.
- Identify condition under which high voltage is always present and Personal Protection Equipment (PPE) and proper procedures must be followed.
- Before working on any high voltage system, be sure to wear the following Personal Protection Equipment:
  - Safety glasses with appropriate side shields when within 15 meters (50 feet) of the vehicle, either indoors or outdoors.
  - Certified and up-to-date Class "0" Insulation gloves rated at 1000V with leather protectors.
- Visually and functionally inspect the gloves before use.
- Wear the Insulation gloves with leather protectors at all times when working with the high voltage battery assembly, whether the system is energized or not.

Failure to follow the procedures may result in serious injury or death.

# Product Safety Recall

## N212343881 High Voltage Battery May Melt or Burn



### Service Procedure

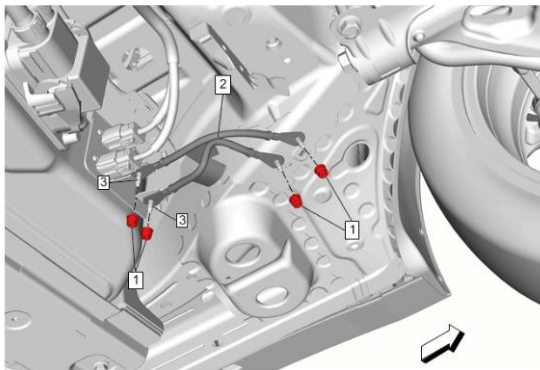


5905973

**Important:** Verify the vehicle SOC is less than 90%. This can be determined by looking at the bars on the power level indicator. If two or more empty bars (not showing green) are displayed, the SOC is at an acceptable level. If the power level indicator shows an SOC of greater than 90%, refer to the *Vehicle Preparation Before Entering the Repair Garage* section at the beginning of this document.

### Remove the Drive Motor (High Voltage) Battery

1. Disable the high voltage system. Refer to *High Voltage Disabling* in SI.
2. Remove the front compartment air deflector. Refer to *Front Compartment Air Deflector Replacement* in SI.
3. Drain the drive motor battery cooling system. Refer to *Drive Motor Battery Cooling System Draining and Filling* in SI.

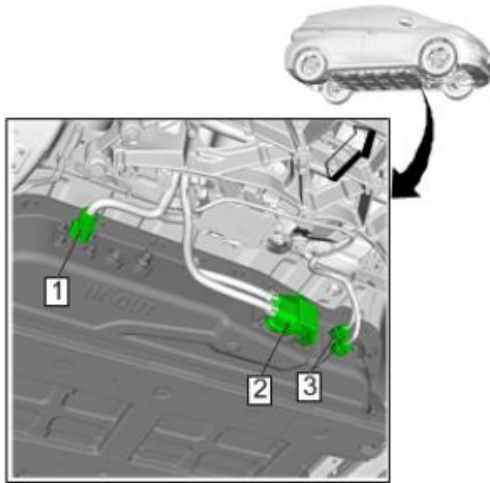


4505400

4. Remove the high voltage battery negative cable (2) from the high voltage battery and body structure. Refer to *Battery Negative Cable Replacement* in SI.

# Product Safety Recall

## N212343881 High Voltage Battery May Melt or Burn



4834281

5. Disconnect the X4 high voltage battery connector (1) from the drive motor (high voltage) battery.
6. Disconnect the X3 high voltage battery connector (2) from the drive motor (high voltage) battery by rotating the connector handle until 90 degrees.
7. Disconnect the body wiring harness connectors (3) from the drive motor (high voltage) battery.

**Danger:** To avoid any vehicle damage, serious personal injury, or death:

- When major components are removed from the vehicle and the vehicle is supported by a hoist, support the vehicle with jack stands at the opposite end from which the components are being removed and strap the vehicle to the hoist.
- When performing work in the engine compartment or under the vehicle, ensure that the hood is fully open, or opened to its secondary latch. When the hood is opened to the secondary latch, the vehicle will disable the remote start features from the key fob and OnStar mobile app. Failure to open the hood or open the hood to the secondary latch while doing a repair in the engine compartment or under the vehicle can result in inadvertent vehicle starting which could result in personal injury, death, or damage to a vehicle.

**Caution:** Perform the following steps before beginning any vehicle lifting or jacking procedure:

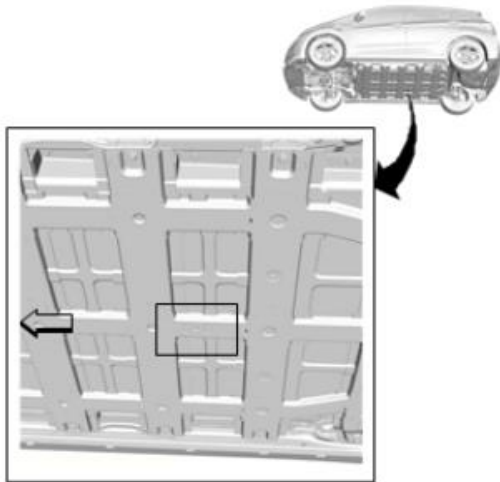
- Remove or secure all of the vehicle contents in order to avoid any shifting or any movement that may occur during the vehicle lifting or jacking procedure.
- The lifting equipment or the jacking equipment weight rating must meet or exceed the weight of the vehicle and any vehicle contents.
- The lifting equipment or the jacking equipment must meet the operational standards of the lifting equipment or jacking equipment manufacturer.
- Perform the vehicle lifting or jacking procedure on a clean, hard, dry, level surface.
- Perform the vehicle lifting or jacking procedure only at the identified lift points. DO NOT allow the lifting equipment or jacking equipment to contact any other vehicle components.

Failure to perform the previous steps could result in damage to the lifting equipment or the jacking equipment, the vehicle, and/or the vehicle contents.

8. During drive motor battery removal, vehicle weight will be redistributed and may cause the vehicle to become unstable on the hoist. To avoid the vehicle potentially falling off, secure the vehicle to lift/hoist arms with straps.

# Product Safety Recall

## N212343881 High Voltage Battery May Melt or Burn



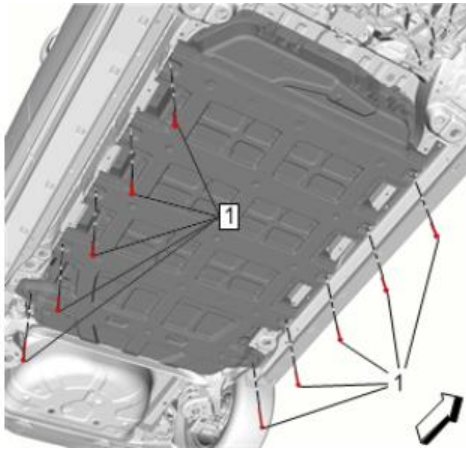
4507200

**Warning:** The GE-52200-50 lift table limiting chain is for use with GE-52200 lifting tables not equipped with a mechanical stop. Refer to the operating instructions provided with the limiting chain. Failure to limit uncontrolled descent of the lifting table may result in vehicle or high voltage battery damage and/or serious injury.

**Note:** There is a CG (Center of Gravity) mark on the drive motor battery tray to position your lift table.

**Note:** The high voltage battery mass is approximately 1000 lbs (450 kg).

9. Position a GE-52418 Lifting Table or GE-52200 Lifting Table and raise the lifting table into position.



4834282

**Note:** Verify ALL connectors are removed from the drive motor battery.

**Note:** Confirm the locking MSD cap/cover required in some regions will pass through the vehicle floor panel. If not, the MSD cap/cover should be removed during high voltage battery lowering from vehicle then reinstalled once the battery is out.

**Note:** Ensure all fasteners are removed before lowering the support table fixture with the drive motor battery.

10. Remove the drive motor battery mounting fasteners (1).

# Product Safety Recall

## N212343881 High Voltage Battery May Melt or Burn



4587655

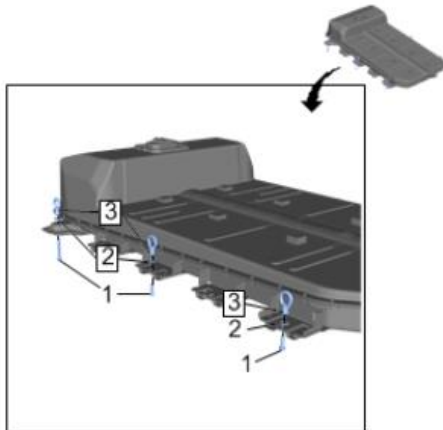
**Danger:** When removing the high voltage battery, only use the recommended lift table with straps capable of holding 2205 lbs (1000kg). Failure to use the appropriate lift table and straps could cause the battery to fall and may result in serious injury or death.

11. Slowly lower the lifting table (1) with the drive motor battery (2).
12. Secure the high voltage battery to the lifting table with straps.

### Removed Battery Cribbing Setup with Forklift

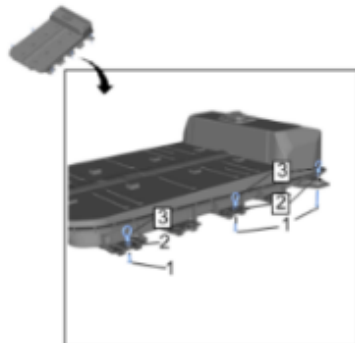
1. Set-up two (2) 4x4s 27 inches apart (69 cm) (inside measurement) to allow battery frame to sit on 4x4s.

**Caution:** DO NOT place battery directly on ground or directly on jack stands (without 4x4s).



4587656

2. Using the EL-51102-20 High Voltage Battery Lift Bar Tilter Eye-Nut Kit install the 3 eye-nut (3), washers (2) and bolts (1). The longer bolts should be used on the "heavy" side of the battery.



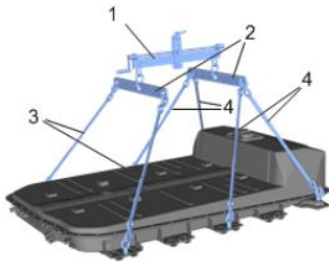
4587657

3. Using the EL-51102-20 High Voltage Battery Lift Bar Tilter Eye-Nut Kit install the 3 eye-nut (3), washers (2) and bolts (1). The longer bolts should be used on the "heavy" side of the battery.



# Product Safety Recall

## N212343881 High Voltage Battery May Melt or Burn



4587658

### Assemble Lifting Kit

- EL-51102 High Voltage Battery Lift Bar Tilter (1).
  - EL-51102–10 Hanging Bars and Shackles (2).
  - EL-51102–40/50 Battery Lifting Strap (3) and (4).
4. Attach Lifting Kit to forklift (with appropriate chain/attachment).
  5. Position the EL-51102 High Voltage Battery Lift Bar Tilter and EL-51102–10 Hanging Bars and Shackles (2) over the high voltage battery.
  6. Attach lift kit straps to eyebolts on REMOVED high voltage battery on Lift Table.
    - Ensure Lifting Straps (4) attach the heavy end of the high voltage battery.
    - Adjust Tilter to bias the vertical bar about 8 inch from end with the handle.
- Note:** Make sure the drive motor battery is balanced when hung from the lifting straps before moving with a forklift (with appropriate chain/attachment) to the Lifting Table.
- Note:** As part of the battery removal process, all coolant should be drained from the high voltage battery.
7. Use forklift to lift REMOVED high voltage battery from Lifting Table.
  8. Slowly lower REMOVED high voltage battery onto cribbing.
  9. Confirm battery is secure on cribbing.
    - Take almost all tension off the lifting straps and gently jostle high voltage battery to ensure stability.
  10. Detach lifting kit straps from eyebolts.
  11. Disconnect all six (pin/ bolt) assemblies from the high voltage battery and remove bolts/pins and lifting harness off of the high voltage battery.

### Unloading Service High Voltage Battery from crate using FORKLIFT (If using Engine Hoist refer to Engine Hoist instructions.)

**These crates are intended/rated for reuse and should be handled with care.–Do not expose the crate to rain, snow or any other environment that will cause moisture related damage.**



5903435

1. Inspect crate, all components for damage. If crate and components are found to be free from damage proceed to step 2. If crate and/or components are damaged, see end of closure instruction for contact information for replacement crate and/or components.

# Product Safety Recall

## N212343881 High Voltage Battery May Melt or Burn



2. Remove (12) 1/2 inch hex head X 5/16 inch dia. x 4 inch lag screws. Place lag screws and washers in a separate container to be reused to close the crate once the removed high voltage battery is loaded.



3. Using lid handles, lift off the lid with (2) people.



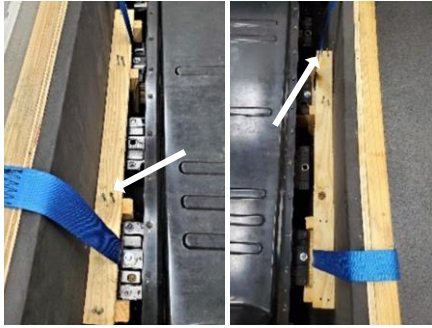
4. Carefully set lid aside so as to not damage the foam on the inside of the crate lid.



5. Remove supplied items; 1 x gusseted poly bag, (1) 17 inch x 15 inch (43 x 38 cm) perforated absorbent pad, and 2 x absorbent pads, set these aside to be used for the return of the removed high voltage battery at a later step.

## Product Safety Recall

### N212343881 High Voltage Battery May Melt or Burn



5903440

6. Using a T-20 or T-25 Torx bit (material shortages drove the need for either size) remove the 16 screws holding the 2 horizontal crossbars in place (save screws to re-secure in a future step).

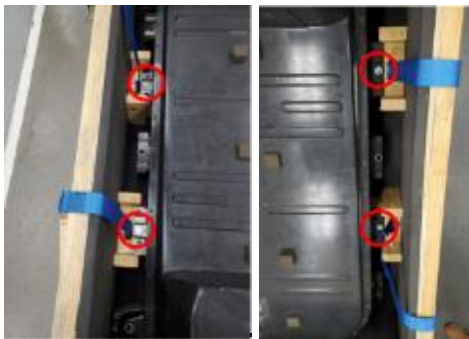


5903441



5903442

7. Release (2) cinch straps and position along the outside of crate on both sides. Tuck straps under crate to avoid tripping hazard.

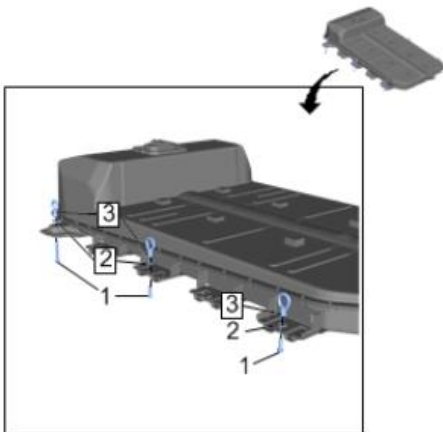


5903443

8. Remove all 4 lag screws securing the removed high voltage battery in the crate and dispose of screws appropriately (2 on each side of the battery). Screws will NOT be used when the removed high voltage battery is returned in the crate-DO NOT REUSE SCREWS.

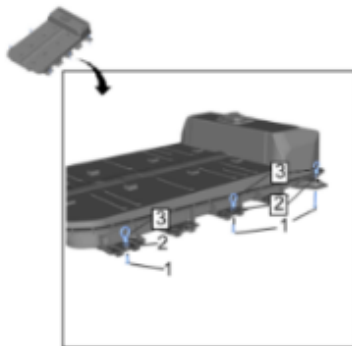
# Product Safety Recall

## N212343881 High Voltage Battery May Melt or Burn



4587656

- Using the EL-51102–20 High Voltage Battery Lift Bar Tilter Eye-Nut Kit install the 3 eye-nut (3), washers (2) and bolts (1). The longer bolts should be used on the “heavy” side of the high voltage battery.



4587657

- Using the EL-51102–20 High Voltage Battery Lift Bar Tilter Eye-Nut Kit install the 3 eye-nut (3), washers (2) and bolts (1). The longer bolts should be used on the “heavy” side of the high voltage battery.
- Position the EL-51102 High Voltage Battery Lift Bar Tilter and EL-51102–10 Hanging Bars and Shackles (2) over the high voltage battery.
- Attach lift kit straps to eyebolts on service high voltage battery in crate.
  - Ensure Lifting Straps (4) attach the heavy end of the high voltage battery.
  - Adjust Tilter to bias the vertical bar about 8 inch (20 cm) from end with the handle.

**Note:** Make sure the drive motor battery is balanced when hung from the lifting straps before moving with a forklift (forks together with appropriate chain/attachment) to the Lifting Table.



5903444

- Carefully begin to raise the service high voltage battery out of the crate. Avoid contacting the foam lining of the crate with the high voltage battery. If foam is torn and cannot be repaired or reattached, it must be replaced.
- Move the lower half of crate away from the hoist/forklift. Move the lift table under the high voltage battery.
- Lower service high voltage battery onto Lift Table and confirm stability.
- Secure the service high voltage battery to the lifting table with straps.
- Detach lifting kit straps from eyebolts on service high voltage battery on Lifting Table.

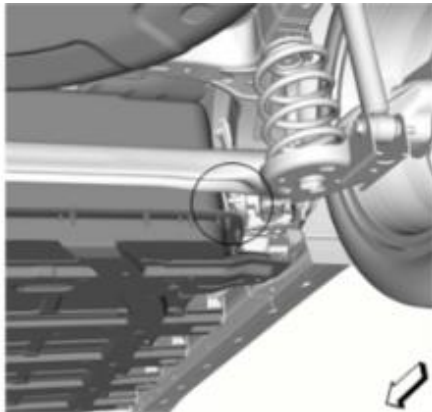
# Product Safety Recall

## N212343881 High Voltage Battery May Melt or Burn



18. Remove lifting kit eyebolts from service high voltage battery.
19. Remove coolant plugs from service high voltage battery -DO NOT DISCARD. Will be used with removed high voltage battery for shipping.
20. Remove MSD cover from the service high voltage battery -DO NOT DISCARD. Will be used with removed high voltage battery for shipping.
21. Remove High and Low Voltage Connector Covers from the service high voltage battery -DO NOT DISCARD. Will be used with removed high voltage battery for shipping.

### High Voltage Battery Installation Procedure



4507203

1. Avoid making contact between the rear of the drive motor battery and the rear suspension bushing bolts.



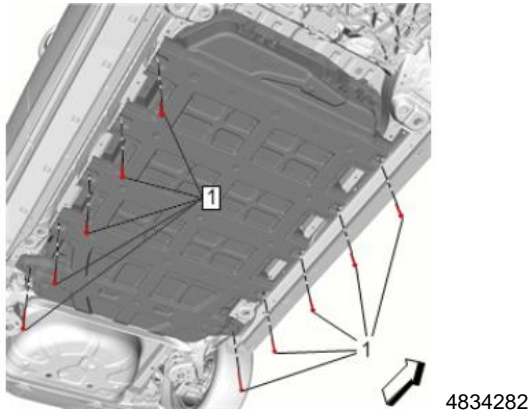
4587655

**Warning:** The GE-52200-50 lift table limiting chain is for use with GE-52200 lifting tables not equipped with a mechanical stop. Refer to the operating instructions provided with the limiting chain. Failure to limit uncontrolled descent of the lifting table may result in damage and/or serious injury.

2. With the drive motor battery (2) on the GE-52418 Lifting Table or GE-52200 Lifting Table (1), slowly raise the lifting table.
3. Release the straps.
4. Continue to raise the battery into position for installation.

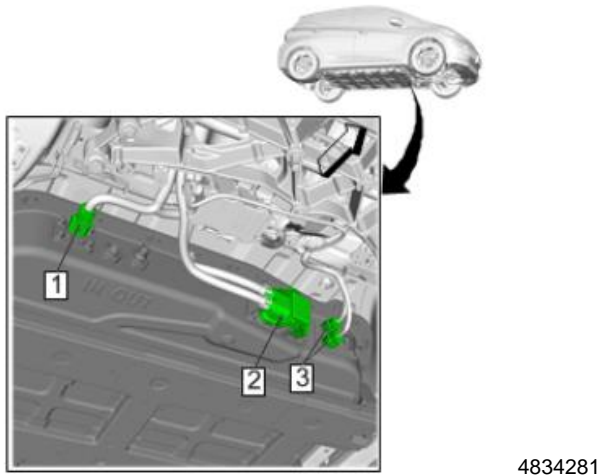
# Product Safety Recall

## N212343881 High Voltage Battery May Melt or Burn

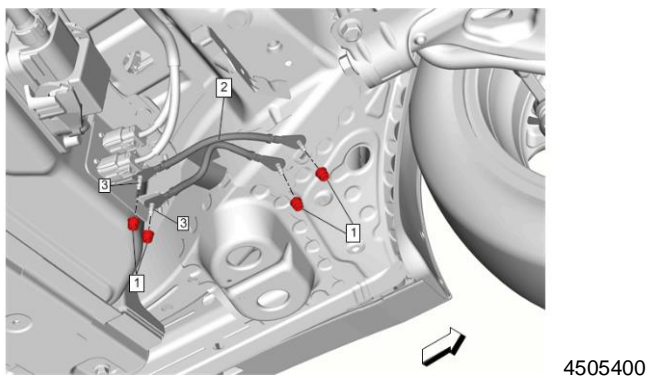


**Caution:** Refer to Fastener Caution in SI.

5. Snugly tighten the outside mounting fasteners (1).
6. Lower the lifting table.
7. Tighten the fasteners (1) to 56 Nm (41 lb. ft).



8. Connect the body wiring harness connectors (3) to the drive motor (high voltage) battery.
9. Connect the X3 high voltage connector (2) to the drive motor (high voltage) battery.
10. Connect the X4 high voltage connector (1) to the drive motor (high voltage) battery.



11. Install the battery negative cable (2) to the high voltage battery and body structure. Refer to *Battery Negative Cable Replacement* in SI.
12. Untie the straps that are installed to avoid the vehicle potentially falling off from the lift/hoist.



# Product Safety Recall

## N212343881 High Voltage Battery May Melt or Burn



13. Fill the drive motor battery cooling system. Refer to *Drive Motor Battery Cooling System Draining and Filling* in SI.
  - 13.1. Disconnect the 12v battery after completing the coolant filling procedure.
14. Check the cooling system for leaks. Refer to *Hybrid Cooling System Leak Test* in SI.
15. Install the front compartment air deflector. Refer to *Front Compartment Air Deflector Replacement* in SI.
16. Enable the high voltage system. Refer to *High Voltage Enabling* in SI.
17. Reprogram multiple modules through SPS/Techline Connect. Refer to Programming section below.

**Important:** Be sure to complete the **Hybrid/EV Battery Pack Capacity Learn** and **EV Range Reset** following the steps in the Programming section below.

### Programming

**Note:** Carefully read and follow the instructions below.

- Ensure the programming tool is equipped with the latest software and is securely connected to the data link connector. If there is an interruption during programming, programming failure or control module damage may occur.
- Stable battery voltage is critical during programming. Any fluctuation, spiking, over voltage or loss of voltage will interrupt programming. Install a GM Authorized Programming Support Tool to maintain system voltage. Refer to [www.gmdesolutions.com](http://www.gmdesolutions.com) for further information. If not available, connect a fully charged 12 V jumper or booster pack disconnected from the AC voltage supply. DO NOT connect a battery charger.
- Follow the on-screen prompts regarding ignition power mode but ensure that anything that drains excessive power (exterior lights, HVAC blower motor, etc.) is off.
- Clear DTCs after programming is complete. Clearing powertrain DTCs will set the Inspection/Maintenance (I/M) system status indicators to NO.

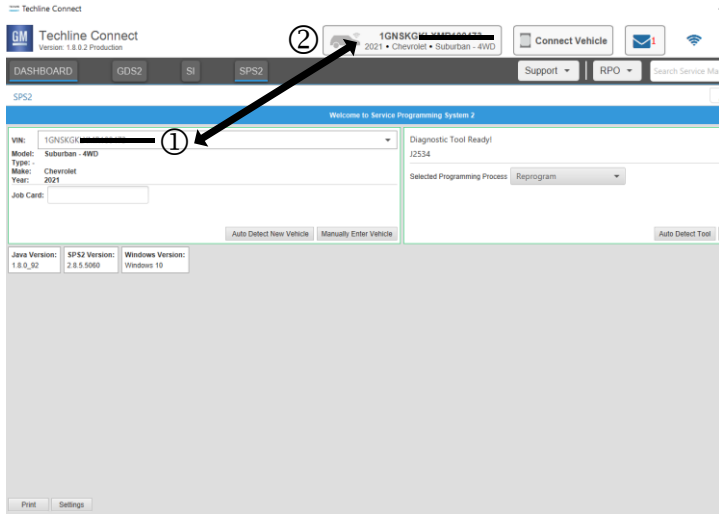
**Important:** The service technician always needs to verify that the VIN displayed in the TLC left side drop down menu and the top center window match the VIN plate of the vehicle to be programmed prior to using Service Programming System 2 (SPS2) for programming or reprogramming a module.

- For the TLC application, service technicians need to always ensure that the power mode (ignition) is "ON" before reading the VIN from the vehicle's VIN master module and that they do not select a VIN that is already in the TLC application memory from a previous vehicle.
- If the VIN that shows up in the TLC top center window after correctly reading the VIN from the vehicle does not match the VIN plate of the vehicle, manually type in the VIN characters from the vehicle VIN plate into the TLC top center window and use these for programming or reprogramming the subject module with the correct vehicle VIN and software and/or calibrations.

**Caution:** Be sure the VIN selected in the drop-down menu (1) is the same as the vehicle connected (2) before beginning programming.

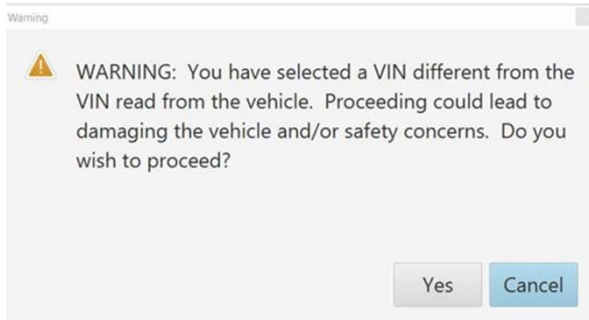
# Product Safety Recall

## N212343881 High Voltage Battery May Melt or Burn

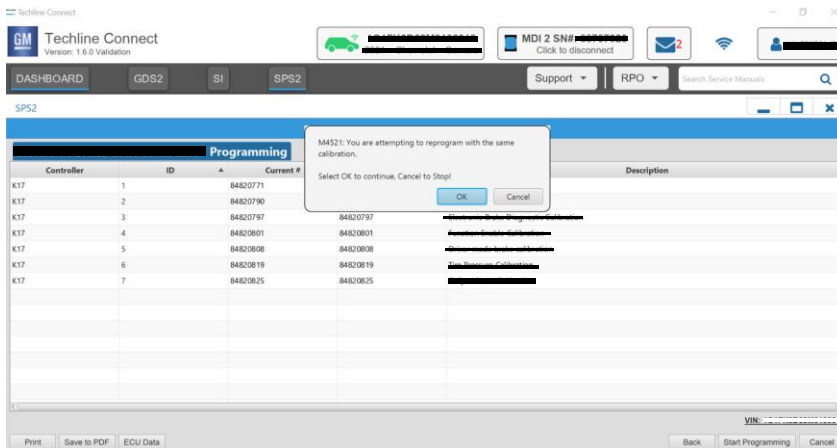


5743643

**Important:** If the vehicle VIN DOES NOT match, the message below will be shown.



5877000



5644477

# Product Safety Recall

## N212343881 High Voltage Battery May Melt or Burn



The screenshot shows the Service Programming System (SPS) Summary screen. A dialog box is overlaid on the screen with the following text:

Service Programming System  
M4521: You are attempting to reprogram with the same calibration.  
Select OK to continue, Cancel to Stop!  
OK Cancel

Controller	Id	Current #	Selected #	Description
1	84758789	84758789		
2	84790857	84790857		
4	84557555	84557555		
5	84681582	84681582		
7	84690692	84690692		
8	84662691	84662691		
9	84678464	84678464		

Vehicle Data

Attribute	Value
VIN: [REDACTED]	

Print < Back Next > Cancel

5431207

**Important:** Techline Connect and TIS2WEB screens shown above.

**Important:** If the same calibration/software warning is noted on the TLC or SPS Summary screen, select OK and follow screen instructions. After a successful programming event, the WCC is located in the Service Programming System dialogue box of the SPS Summary screen. No further action is required. Refer to the Warranty section of the bulletin.

The screenshot shows the Techline Connect SPS2 screen. The main content area displays the following information:

Programming Complete.  
VIN: [REDACTED]  
2020-08-19 12:23:43 PM

Card: 1  
Warranty Claim Code: 28YN46808556

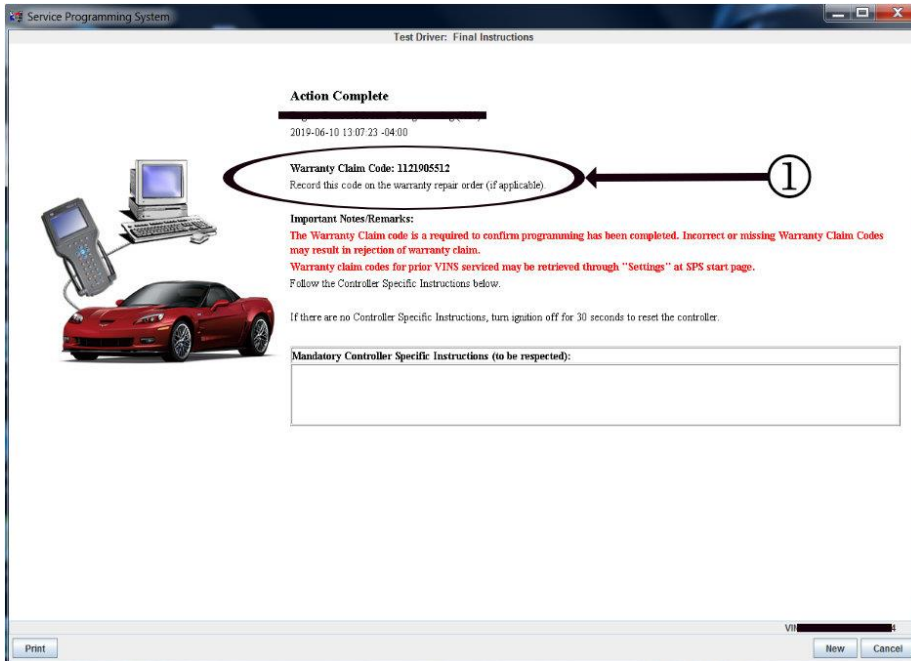
Ⓛ

Post Programming Instructions:  
Follow the Controller Specific Instructions below.  
If there are no Controller Specific Instructions, turn ignition off for 30 seconds to reset the controller.

5644478

# Product Safety Recall

## N212343881 High Voltage Battery May Melt or Burn

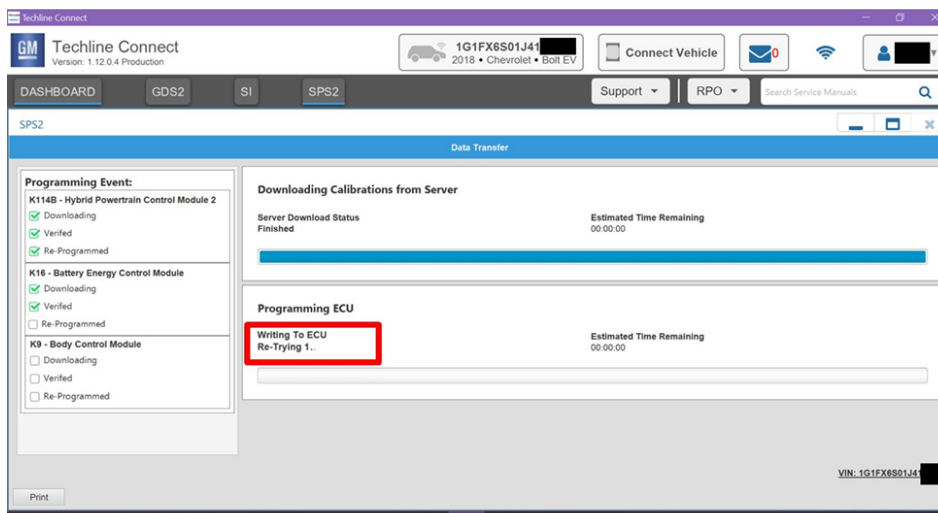


5431209

**Note:** The screenshots above are an example of module programming and may not be indicative of the specific module that is being programmed. Module selection and VIN information have been blacked out.

**Important:** To avoid warranty transaction rejections, you **MUST** record the warranty claim code provided on the Warranty Claim Code (WCC) screen shown above on the job card. Refer to callout 1 above for the location of the WCC on the screen.

1. Reprogram the sequential multiple modules through SPS/Techline Connect (SPS and Techline Connect screens shown) by selecting “**ZFA – Field Action Multimodule Coordinated Sequence**” on the select controller screen and select “**Programming**” for the Select Function/Sequence. Select “**Next**” and follow all on screen instructions. In SPS, scroll down to view all instructions prior to programming.



5906107

2. The first module in the sequence is the K114B HPCM2 which is programmed with Ignition OFF and the brake pedal depressed. The second module in the sequence is the K16 BECM, which is programmed Ignition ON/Propulsion OFF. Remain in the vehicle with the brake pedal depressed during the programming of the K114B HPCM2. At the start of the K16 BECM programming, wait for the screen indicated in the image and transition to Ignition ON/Propulsion OFF immediately upon seeing this screen with “Retrying 1” for the K16 BECM. Once the K16 BECM begins to program, release the brake pedal.

# Product Safety Recall

## N212343881 High Voltage Battery May Melt or Burn

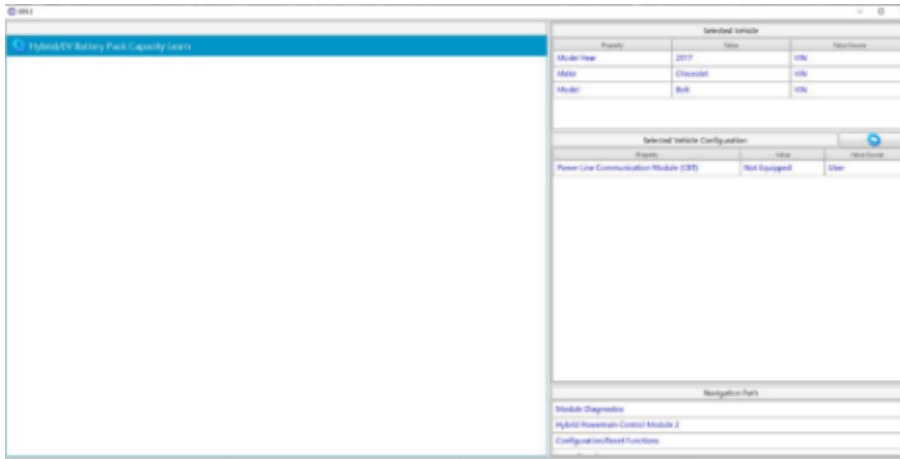


**Important:** The procedure below differs from what is published in SI. Be sure to follow the steps in this field action ONLY. The window to transition from Ignition OFF to Ignition ON/Propulsion OFF will only be a few seconds. Failure to transition will result in an SPS error and the sequenced programming must be restarted.

### Hybrid/EV Battery Pack Capacity Learn and EV Range Reset

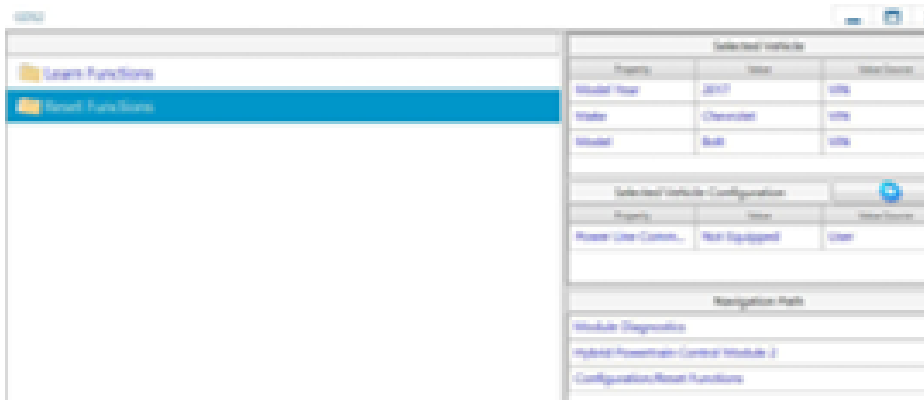
Perform the Hybrid/EV battery pack capacity learn using the steps below.

1. The Hybrid/EV Battery Pack Capacity Learn procedure can be activated with a scan tool using the following steps:
  - 1.1. Vehicle on.
  - 1.2. With a scan tool, select Hybrid Powertrain Control Module 2 and observe and record the Hybrid/EV Battery Pack Capacity scan tool parameter.



5892485

- 1.3. Select Hybrid Powertrain Control Module 2 Configuration/Reset Functions. Select the Learn Functions — Hybrid/EV Battery Pack Capacity Learn and command a Learn.



5882921

# Product Safety Recall

## N212343881 High Voltage Battery May Melt or Burn



1.4. Using GDS2, reset the EV Range by selecting “Reset Functions” then “EV Range Reset”.

### Return Vehicle to 100% Charging

#### For 2017 and 2018 model year vehicles, disable Hill Top Reserve:

1. To change Hill Top Reserve in the center infotainment display, touch Energy, and then touch Energy Settings. Use the arrows to scroll through the list.
2. Confirm Hill Top Reserve is set to “off”.

#### For 2019 model year vehicles:

1. Set Target Charge Level to 100%. To change the Target Charge Level in the center infotainment display, touch Energy and then touch Charging.
  - 1.1. Touch the Target Charge Level tab on the Charging screen.
  - 1.2. Touch “+” (plus) to increase the charge level to 100%.
2. Remove the masking tape from the charge receptacle door. If the customer is not waiting, charge the vehicle to full capacity. The charge is complete when the green light on the top of the dash pad is solid green. DC Fast Charging may be used.



3. Record SPS Warranty Claim Code AND the new replacement high voltage battery identification number on job card for warranty transaction submission. The high voltage battery identification number is located on the left side of the high voltage battery. The identification number contains the letters “RES” in the middle of the number.

### Removed Battery Return Preparation

**Danger:** The high voltage battery must be protected when outside of the vehicle. The battery should be placed in the shipping crate from the service battery as soon as possible to avoid serious injury or death.

After the high voltage battery has been removed from the vehicle and before placement into the shipping crate, prepare the high voltage battery for return by performing the following steps:

1. Install the coolant plugs. There are 2 of them in the coolant lines. The coolant plugs were removed from the service high voltage battery assembly and must be installed in the removed high voltage battery. Additional coolant plugs (GM P/N 22770854) can be ordered if they are needed.



# Product Safety Recall

## N212343881 High Voltage Battery May Melt or Burn



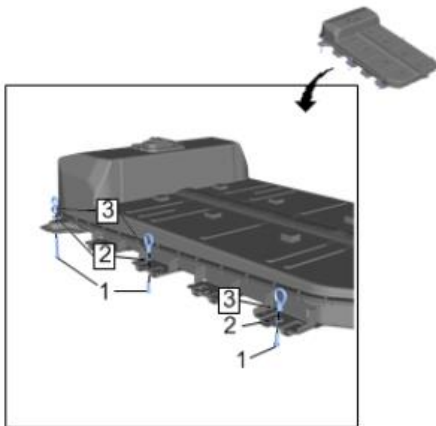
**Note:** The Drive Motor Battery High Voltage Manual Disconnect Lever is also known as the S15 Manual Service Disconnect (MSD).

2. Install the Manual Service Disconnect (MSD) Cover. The MSD cover was removed from the new service battery assembly and must be installed in the returned battery. The MSD lever must remain with the vehicle and not be returned with the removed high voltage battery.
3. Install the High and Low Voltage Connector Covers. The covers can be removed from the service high voltage battery and installed on the removed high voltage battery.

**Crating of REMOVED High Voltage Battery using FORKLIFT (If using Engine Hoist refer to Engine Hoist instructions).**

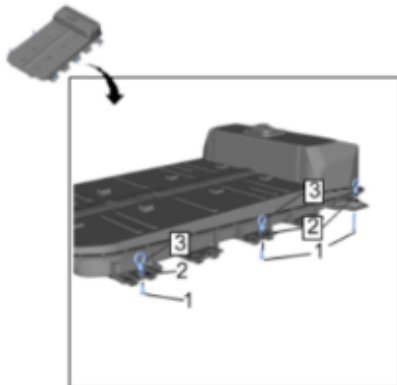
### Connect Lifting Kit to REMOVED High Voltage Battery

Follow technical specification to connect the GM approved Lifting Kit to the high voltage battery.



4587656

1. Using the EL-51102-20 High Voltage Battery Lift Bar Tilter Eye-Nut Kit install the 3 eye-nut (3), washers (2) and bolts (1). The longer bolts should be used on the “heavy” end of the high voltage battery.

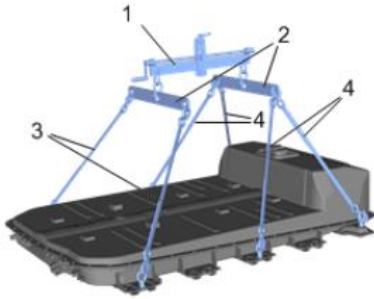


4587657

2. Using the EL-51102-20 High Voltage Battery Lift Bar Tilter Eye-Nut Kit install the 3 eye-nut (3), washers (2) and bolts (1). The longer bolts should be used on the “heavy” end of the high voltage battery.

# Product Safety Recall

## N212343881 High Voltage Battery May Melt or Burn



4587658

3. Attach lift kit straps to eyebolts on REMOVED high voltage battery.
  - Ensure Lifting Straps (4) attach the heavy end of the high voltage battery.
  - Adjust Tilter to bias the vertical bar about 8 inch from end with the handle.

### REMOVED High Voltage Battery Return Shipping Preparation using FORKLIFT (If using Engine Hoist refer to Engine Hoist instructions).



5903431

When lifting and moving the crate with the removed high voltage battery inside, be aware of the Center of Gravity (CG) as noted on the long sides of the crate. Fork mast should be centered with this mark and forks should be widened out to their maximum width and equally spaced on either side of the CG mark.

**Important:** The high voltage battery is regulated under dangerous goods transportation laws. As the shipper of record, dealers are responsible for compliance with all applicable international, federal, state, provincial, or local dangerous goods transportation laws. This includes, but is not limited to proper labeling, marking, completion of shipping papers, and packaging. Failure to comply with federal dangerous goods transportation laws may result in a violation of the U.S. Hazardous Materials Transportation Act, as amended, and its implementing regulations issued by the U.S. Department of Transportation at Title 49, Volumes 2-3, of the Code of Federal Regulations and could subject you to fines of up to \$84,425 for each violation, or criminal penalties. Similarly, in Canada, failure to comply with the Transportation of Dangerous Goods Act and Regulations may subject you to fines.

These crates are intended/rated for reuse and must be handled with care. Do not expose the crate to rain, snow or any other environment that will cause moisture related damage.

### Replacement packing material for shipping:



5903430

- US dealers-If required, obtain replacement packaging materials through the SNT app in Global Connect (Same app used to order and return high voltage batteries).
- Canadian dealers- If required, obtain replacement packaging materials through YORK ELECTRONICS OSHAWA at 1-888-650-9675 ext. 307.
- **For Markets other than US and Canada, Refer to Field Action bulletin N212343882.**

# Product Safety Recall

## N212343881 High Voltage Battery May Melt or Burn



5903452

1. Position the cinch straps over the edge of the crate and ensure buckles are outside the crate. Tuck any excess length of straps under the crate to avoid a tripping hazard.



5903445

2. Return previously removed poly bag to crate. Open the gusseted poly bag and lay the seam of the bag along the center line of the crate floor.
  - a. The 81" (206 cm) length should be run along the long side of the crate.
  - b. The 58" (147 cm) length should run along the short side of the crate.
  - c. Carefully tuck polybag into the bottom of the crate. Ensure that polybag is pushed down into corners and touches inside of crate floor.

**Important:** Use extreme caution to ensure poly bag is NOT torn during this process. A torn poly bag will need to be repaired or replaced. See contact information at the end of the closure instructions for question on repairs or ordering replacement crate components.



5903446

3. Grab one (1) of previously removed absorbent pads and lay in bottom of crate on top of poly bag.

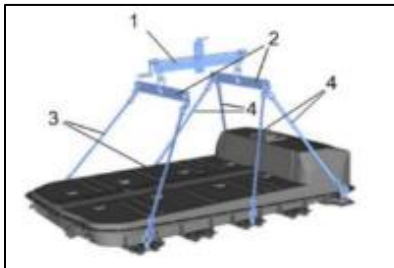
# Product Safety Recall

## N212343881 High Voltage Battery May Melt or Burn



5903447

4. Align one edge with vertical wood supports. Fold over 12 inch (30 cm) of absorbent liner along the other side of the crate, all vertical supports should now be visible. This will help to ensure battery is properly seated in the crate.



4587658

5. Follow technical specifications to connect the GM approved lift assist to the high voltage battery.



5903448

6. Ensure the heavy end of the high voltage battery is aligned to the end of the crate stenciled "heavy end". Ensure the crate and the forklift are squared up to one another.



5903449

7. Carefully lower the high voltage battery into the crate so as not to tear the bag or absorbent liner. Ensure the high voltage battery is leveled in the crate.

**CAUTION:** Ensure none of the high voltage battery "feet" are resting on any of the vertical supports. The high voltage battery feet need to be in between the vertical supports to avoid high voltage battery damage.

8. Confirm the following measurements to ensure high voltage battery is seated properly before proceeding.
  - At least 2 inch (5 cm) from top surface of #2 and #4 bars to top edge of vertical wood support (confirm at all 4 bars).

# Product Safety Recall

## N212343881 High Voltage Battery May Melt or Burn



- At least 16 inch (41 cm) from top surface of flange to top edge of crate at heavy end of high voltage battery.
- At least 13 ½ inch (34 cm) from top surface of flange to top edge of crate at light end of high voltage battery.

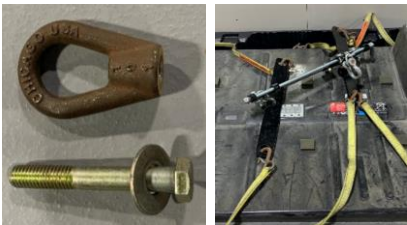
**Danger:** Measurements need to be taken at all 6 locations to ensure fully seated. Failure to carefully follow these procedures may result in serious injury or death.

9. If these measurements are not met at ALL 6 locations the battery is not properly seated and should be lifted, repositioned using tag lines and lowered again.

**Danger:** Measurements need to be retaken at all 6 locations to ensure fully seated. Failure to carefully follow these procedures may result in serious injury or death

**Warning:** If battery is not fully seated and meet the above measurements, the high voltage battery could shift when removing Lifting Strap Pin Bolts and hands/fingers could be crushed by weight of high voltage battery.

10. Once above measurements are taken and it is confirmed the high voltage battery is fully seated, disconnect lifting straps.



5903450

11. Disconnect all six (eyenut/bolt) assemblies from the high voltage battery. Remove eyenuts/bolts and lifting harness off of the high voltage battery and out of full cycle crate.



5903454

12. Open second absorbent pad, place on top of the high voltage battery as shown on the picture above, tuck the absorbent pad around the high voltage battery.



5903455

13. Fold the gusseted poly bag as follows:
  - a. Fold excess poly bag material on one short side of crate over end of high voltage battery.
  - b. Repeat for opposite short side of poly bag.



# Product Safety Recall

## N212343881 High Voltage Battery May Melt or Burn



5903456

14. Fold excess poly bag material along one of the long sides of crate across the side of high voltage battery. Repeat for the opposite long side of poly bag.



5903457

15. Loosely secure cinch straps and take the 18 inch x 16 inch (46 x 41 cm) perforated absorbent pad, tear at perforation and place 1 pad under each of the 2 buckles to prevent any chaffing, or tears on the poly bag. Pull 2 cinch straps tight.



5903458

**Important:** Be sure to install the 2 horizontal crossbars on each side of the crate to ensure Dangerous Goods Compliance.

16. Using the previously removed 16 x T20 or T25 Torx head screws, reattach (2) horizontal crossbars on each side of the crate. Do not over tighten. Screws should be flush with top surface of the crossbar.

**Important:** Use extreme caution to ensure the poly bag is not pierced or torn to ensure compliance with Dangerous Goods transportation laws.



5903460

17. Return the lid to top of crate lifting by the handles on the top of the lid, **ensure the HEAVY END on lid aligns with heavy end on the side of the crate.** Carefully attach the lid using the (12) 1/2 inch hex head x 5/16 inch dia. x 4 inch lag screws that were loosened when the new battery was removed from the crate. Do not apply more than the maximum torque of 84-117 in-lbs (7 – 9.75 ft-lbs) (.97 - 1.24 – kg-m).



5903461



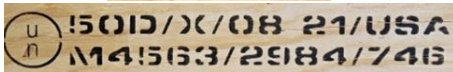
## Product Safety Recall

### N212343881 High Voltage Battery May Melt or Burn



5903462

18. Reverse the (2), Class 9 labels to read Damaged / Defective (one on each side of the crate).
  - a. Open the three (3) release clips and reverse the labels to show UN3480 - DAMAGE / DEFECTIVE side.
  - b. Close the three (3) clips to secure the Class 9 label in place.



5903463

19. Do not stack loaded crates more than **3 high**. Maximum stacking weight 6,579 lbs. (2984kg). Ensure gross package weight does not exceed the UN specification mark on the package of 1645 lbs. (746 KG).

**Caution:** Be sure to set up temporary location for the removed battery until final shipping preparation. Do not expose the crate to rain, snow or any other environment that will cause moisture related damage.

Ensure that all legal requirements for shipment of this material have been met, including those applicable to you as the shipper of dangerous goods/hazardous materials.

#### Contact and Website Information

**Important:** For assistance with any dangerous goods relating to packaging or shipping information, please contact the Dangerous Goods and Container Question Hotline (English, Spanish and French) at:

- 1 (844) 931-4966
- Hours of Operation - Monday through Friday 8 a.m. – 5 p.m. US Central Standard Time.

Please refer to your region's GM Bulletin for the latest updates associated with this recall campaign. GM bulletins:

- N212343882, (export only)
- N212345942. (export only)

**Important:** The high voltage battery is regulated under dangerous goods transportation laws. As the shipper of record, dealers are responsible for compliance with all applicable international, federal, state, provincial, or local dangerous goods transportation laws. This includes, but is not limited to proper labeling, marking, completion of shipping papers, and packaging. Failure to comply with federal dangerous goods transportation laws may result in a violation of the U.S. Hazardous Materials Transportation Act, as amended, and its implementing regulations issued by the U.S. Department of Transportation at Title 49, Volumes 2-3, of the Code of Federal Regulations and could subject you to fines of up to \$84,425 for each violation, or criminal penalties. Similarly, in Canada, failure to comply with the Transportation of Dangerous Goods Act and Regulations may subject you to fines.

## Using Engine Hoist and Pallet Jack Method for Uncrating/Crating

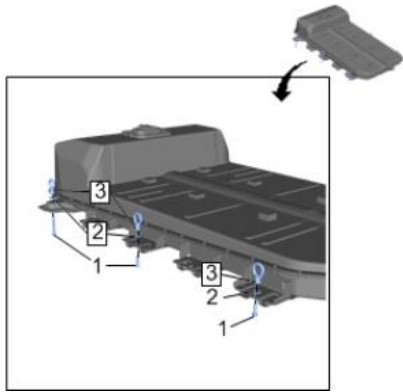
### Removal of Removed High Voltage Battery from Lifting Table using Engine Hoist

#### Connect Lifting Kit to Removed High Voltage Battery

Follow technical specification to connect the GM approved Lifting Kit to the high voltage battery.

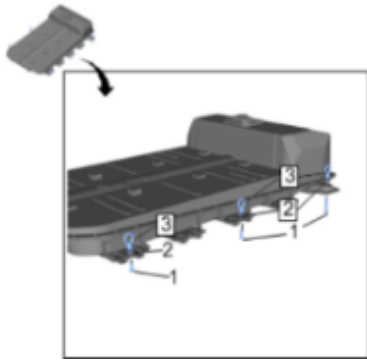
# Product Safety Recall

## N212343881 High Voltage Battery May Melt or Burn



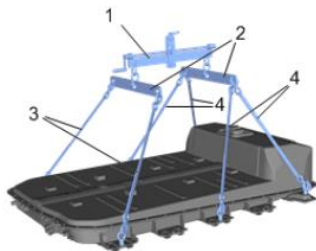
4587656

1. Using the EL-51102–20 High Voltage Battery Lift Bar Tilter Eye-Nut Kit install the 3 eye-nut (3), washers (2) and bolts (1). The longer bolts should be used on the “heavy” end of the high voltage battery.



4587657

2. Using the EL-51102–20 High Voltage Battery Lift Bar Tilter Eye-Nut Kit install the 3 eye-nut (3), washers (2) and bolts (1). The longer bolts should be used on the “heavy” end of the high voltage battery.



4587658

### Assemble Lifting Kit

- EL-51102 High Voltage Battery Lift Bar Tilter (1)
- EL-51102–10 Hanging Bars and Shackles (2)
- EL-51102–40/50 Battery Lifting Strap (3) and (4)

3. Attach Lifting Kit to engine hoist with appropriate attachment.
4. Move engine hoist to location where REMOVED high voltage battery will be staged (ensure sufficient spacing to remove Lifting Table and position Shipping crate).

**Important:** Make sure there is enough room between the crate, Lifting Table and engine hoist as the engine hoist with the battery attached CANNOT be moved.

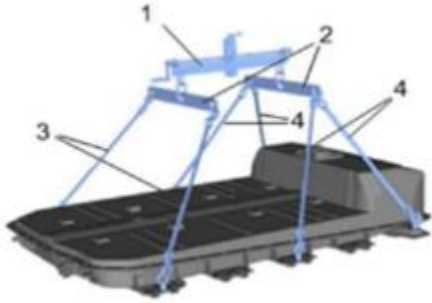
5. Move Lift Table with removed high voltage battery under engine hoist.

# Product Safety Recall

## N212343881 High Voltage Battery May Melt or Burn



6. Attach lift kit straps to eyebolts on REMOVED high voltage battery on Lift Table.



4587658

- Ensure Lifting Straps (4) attach the heavy end of the high voltage battery.
- Adjust Tilter to bias the vertical bar about 8 inch (20 cm) from end with the handle.

**Note:** Make sure the drive motor battery is balanced when hung from the lifting straps before lowering to the Lifting Table.

**Note:** As part of the high voltage battery removal process, all coolant should be drained from the high voltage battery.

7. Use Engine Hoist to lift removed high voltage battery from Lifting Table and then move Lifting Table out from under high voltage battery/hoist.

**Danger:** To avoid serious injury or death, follow the instructions below:

- DO NOT MOVE THE ENGINE HOIST WITH THE HIGH VOLTAGE BATTERY ATTACHED.
- DO NOT go under the engine hoist with the high voltage battery attached.
- DO NOT maneuver the high voltage battery with the Lifting Kit straps.



5903432



5903803

8. Set-up cribbing under Hoist & high voltage battery to place REMOVED high voltage battery on from the Lifting Table.

- Set-up jack stands and two (2) 4x4s 27 inch (69 cm) apart (inside measurement) to allow battery frame to sit on 4x4s. Jack stands should be placed at outer edge of high voltage battery at bar location (1) and (5) as shown above.

# Product Safety Recall

## N212343881 High Voltage Battery May Melt or Burn



**Caution:** DO NOT place high voltage battery directly on ground or directly on jack stands without 4x4s to avoid high voltage battery damage.

9. Slowly lower REMOVED high voltage battery onto cribbing.
10. Confirm high voltage battery is secure on cribbing.
  - Take almost all tension off the lifting straps and gently jostle high voltage battery to ensure stability.
11. Detach lifting kit straps from eyebolts (leave lifting kit attached to Hoist) and move hoist.

### Unloading SERVICE High Voltage Battery from Crate using Engine Hoist



5903436

1. Inspect crate, all components for damage. If crate and components are found to be free from damage proceed to Step 2. If crate and/or components are damaged, see end of closure instruction for contact information.



5903436

2. Remove (12) 1/2 inch hex head X 5/16 inch dia. x 4 inch lag screws. Place lag screws and washers in a separate container to be reused to close the crate once the removed high voltage battery is loaded.



5903437

3. Using lid handles, lift off the lid with (2) people.



5903438

4. Carefully set lid aside so as to not damage the foam on the inside of the crate lid.

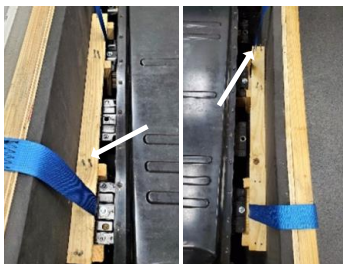
# Product Safety Recall

## N212343881 High Voltage Battery May Melt or Burn



5903439

5. Remove supplied items; 1 x gusseted poly bag, (1) 18 inch x 16 inch (46 x 41 cm) perforated absorbent pad, and 2 x absorbent pads. Set these aside to be used for the return of the removed high voltage battery at a later step.



5903440

6. Using a T-20 or T-25 Torx bit (material shortages drove the need for either size) remove the 16 screws holding the 2 horizontal crossbars in place (save screws to re-secure in a future step).



5903441



5903442

7. Release (2) cinch straps and position along the outside of crate on both sides. Tuck straps under crate to avoid tripping hazard.

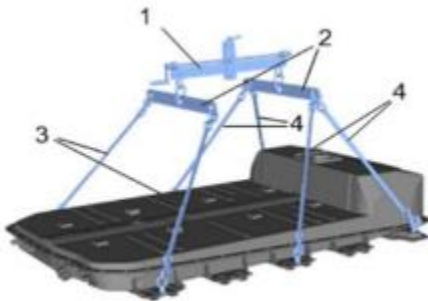
## Product Safety Recall

### N212343881 High Voltage Battery May Melt or Burn



5903443

8. Remove all 4 lag screws securing the high voltage battery in the crate and dispose of screws appropriately (2 on each side of the high voltage battery). Screws will NOT be used when the removed high voltage battery is returned in the crate-DO NOT REUSE SCREWS.



4587658

9. Remove lifting kit eyebolts from REMOVED high voltage battery and install on SERVICE high voltage battery (connect to the #1, #3, and #5 bars on the high voltage battery).



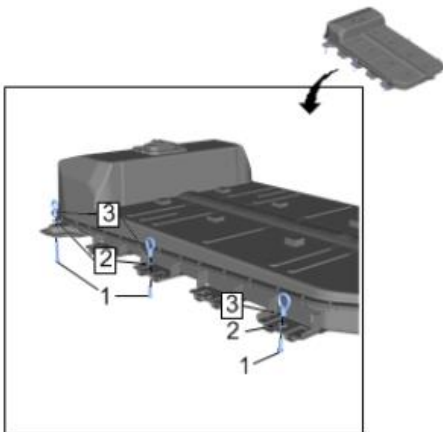
5903444

10. Measure clearance needed for engine hoist legs to fit under the crate (instruction below are for 8 inch clearance, adjust appropriately for hoist leg clearance).
11. Crib the crate & pallet jack.
  - 11.1. Use pallet jack to raise crate ~4-5 inch (10-13 cm) and place 4x4 ~60 inch (152 cm) under each runner at ends of crate and lower crate so crate runners rest on 4x4s.
  - 11.2. Put two 4x4s (~36 inch length) (91 cm) on Pallet Jack forks.
  - 11.3. Raise crate using Pallet Jack (w/4x4s on it) to raise crate additional 2-3 inch (5-8 cm) and place 2x4 on existing 4x4 under each runner at ends of crate and lower crate so runners rest on the 2x4s.
12. Verify engine hoist clearance is met.
13. Position engine hoist over crate with lifting kit attached.



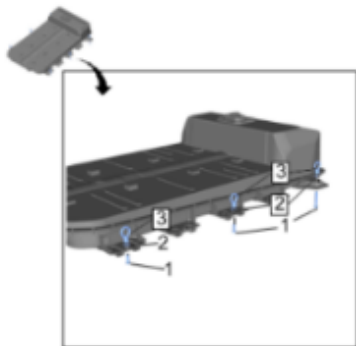
# Product Safety Recall

## N212343881 High Voltage Battery May Melt or Burn



4587656

14. Using the EL-51102–20 High Voltage Battery Lift Bar Tilter Eye-Nut Kit install the 3 eye-nut (3), washers (2) and bolts (1). The longer bolts should be used on the “heavy” side of the high voltage battery.



4587657

15. Using the EL-51102–20 High Voltage Battery Lift Bar Tilter Eye-Nut Kit install the 3 eye-nut (3), washers (2) and bolts (1). The longer bolts should be used on the “heavy” side of the high voltage battery.
16. Position the EL-51102 High Voltage Battery Lift Bar Tilter and EL-51102–10 Hanging Bars and Shackles (2) over the high voltage battery.
17. Attach lift kit straps to eyebolts on service high voltage battery in crate.
18. Ensure Lifting Straps (4) attach the heavy end of the high voltage battery.
19. Adjust Tilter to bias the vertical bar about 8 inch (20 cm) from end with the handle.



5903444

20. Carefully begin to raise the service high voltage battery out of the crate. Avoid contacting the foam lining of the crate with the battery. If foam is torn and cannot be repaired or reattached, it must be replaced.

**Warning: To avoid serious injury, DO NOT MOVE THE ENGINE HOIST WITH THE HIGH VOLTAGE BATTERY ATTACHED.**

21. Roll empty crate away from engine hoist (move crate cribbing also being sure to maintain stability).
22. Position lift table under SERVICE high voltage battery.
23. Lower SERVICE high voltage battery onto Lift Table and confirm stability.
24. Secure the high voltage battery to the lifting table with straps.



# Product Safety Recall

## N212343881 High Voltage Battery May Melt or Burn



25. Detach lifting kit straps from eyebolts on SERVICE high voltage battery on table.
26. Remove lifting kit eyebolts from SERVICE high voltage battery.
27. Remove coolant plugs from SERVICE high voltage battery-DO NOT DISCARD. Will be used with removed high voltage battery for shipping.
28. Remove MSD cover from the SERVICE high voltage battery -DO NOT DISCARD. Will be used with removed high voltage battery for shipping.
29. Remove High and Low Voltage Connector Covers from the SERVICE high voltage battery-DO NOT DISCARD. Will be used with removed high voltage battery for shipping.
30. Install SERVICE high voltage battery in vehicle from table. Refer to *Drive Motor Battery Replacement and Shipping Preparation*.

### REMOVED High Voltage Battery Return Shipping Preparation using Engine Hoist

After the high voltage battery has been removed from the vehicle and before placement into the shipping crate, prepare the high voltage battery for return by performing the following steps:

1. Install the coolant plugs. There are 2 of them in the coolant lines. The coolant plugs can be removed from the new SERVICE high voltage battery assembly and installed in the returned high voltage battery. Additional coolant plugs (GM P/N 22770854) can be ordered if they are needed.

**Note: The Drive Motor Battery High Voltage Manual Disconnect Lever is also known as the S15 Manual Service Disconnect (MSD).**

2. Install the Manual Service Disconnect (MSD) Cover. The MSD cover can be removed from the new SERVICE high voltage battery assembly and installed in the removed high voltage battery. The MSD lever should remain with the vehicle and not be returned with the removed high voltage battery assembly.
3. Install the High and Low Voltage Connector Covers. The covers can be removed from the SERVICE high voltage battery and installed on the removed battery.

### Final Shipping Preparation

Replacement packing material for shipping:



5903430

- US dealers-If required, obtain replacement packaging materials through the SNT app in Global Connect (Same app used to order and return batteries).
- Canadian dealers- If required, obtain replacement packaging materials through YORK ELECTRONICS OSHAWA at 1-888-650-9675 ext. 307.
- For Markets other than US and Canada, Refer to Field Action bulletin N212343882.



5903431

When lifting and moving the crate with the high voltage battery inside, be aware of the Center of Gravity (CG) as noted on the long sides of the crate. Fork mast should be centered with this mark and forks should be widened out to their maximum width and equally spaced on either side of the CG mark.

### Packing/Closure Instructions for Full Cycle Crate for DDR Battery Returns Using Engine Hoist

Loose crate components to support return of DDR battery:

# Product Safety Recall

## N212343881 High Voltage Battery May Melt or Burn



- 1 – 81 inch (206cm) x 58 inch (148cm) x 96 inch (244cm) gusseted poly bag
- 2 – 57 inch (145cm) x 80 inch (203cm) absorbent poly bags
- 1 – 18 inch (46cm) x 16 inch (41cm) perforated absorbent pad

**IMPORTANT:** The high voltage battery is regulated under dangerous goods transportation laws. As the shipper of record, dealers are responsible for compliance with all applicable international, federal, state, provincial, or local dangerous goods transportation laws. This includes, but is not limited to proper labeling, marking, completion of shipping papers, and packaging. Failure to comply with federal dangerous goods transportation laws may result in a violation of the U.S. Hazardous Materials Transportation Act, as amended, and its implementing regulations issued by the U.S. DOT at Title 49, Volumes 2-3, of the CFR and could subject you to fines of up to \$84,425 for each violation, except the maximum fine is \$196,992 if the violation results in death, serious illness, or severe injury to any person or substantial destruction of property. Failure to follow these closure instructions may result in a violation of the U.S. Hazardous Materials Transportation Act and could subject you to fines as previously referenced.

The packaging referenced has passed the standards of the DOT'S TITLE 49 CFR; Performance Oriented Packaging Standards, Section 178. This package is also certified under ADR, IMDG, ICAO/IATA Regulations and the UN Recommendations on the Transport of Dangerous Goods. It is the responsibility of the end user to determine authorization for use under these regulations. The use of other packaging methods or components other than those documented in this report may render this certification invalid.

These crates are intended/rated for reuse and must be handled with care. Do not expose the crate to rain, snow or any other environment that will cause moisture related damage.

After the SERVICE high voltage battery has been removed, inspect crate, and all components for damage. If crate is found to be free from damage proceed to next step. If crate is damaged, contact Labelmaster for guidance and or replacement parts. Labelmaster contact information is at the bottom of this instruction sheet.



5903452

1. Position the cinch straps over the edge of the crate and ensure buckles are outside the crate. Tuck any excess length of straps under the crate to avoid a tripping hazard.



5903445

2. Return previously removed poly bag to crate. Open the gusseted poly bag and lay the seam of the bag along the center line of the crate floor.
  - 2.1. The 81” (206 cm) length should be run along the long side of the crate.

# Product Safety Recall

## N212343881 High Voltage Battery May Melt or Burn



- 2.2. The 58" (147 cm) length should run along the short side of the crate.
- 2.3. Carefully tuck poly bag into the bottom of the crate. Ensure that poly bag is pushed down into corners and touches inside of crate floor.

Use extreme caution to ensure poly bag is NOT torn during this process. A torn poly bag will need to be repaired or replaced.



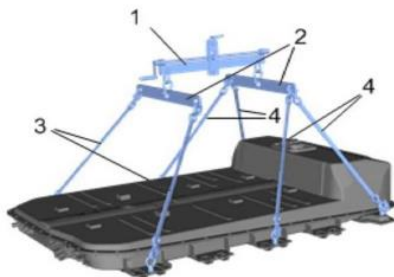
5903446

3. Grab one (1) of previously removed absorbent pads and lay in bottom of crate on top of poly bag.



5903447

4. Align one edge with vertical wood supports. Fold over 12 inch (30 cm) of absorbent liner along the other side of the crate, all vertical supports should now be visible. This will help to ensure high voltage battery is properly seated in the crate.
5. Move engine hoist so it is positioned over removed high voltage battery.



4587658

6. Follow technical specifications to connect the GM approved lift assist to the high voltage battery.
7. Lift removed high voltage battery from jack stand cribbing then move cribbing out of the way.
8. Position and crib the crate & pallet jack under removed high voltage battery hanging on hoist.
  - 8.1. Use pallet jack to raise crate ~4-5 inch (10-13 cm) and place 4x4 ~ 60 inch (152 cm) under each runner at ends of crate and lower crate so crate runners rest on 4x4s.

## Product Safety Recall

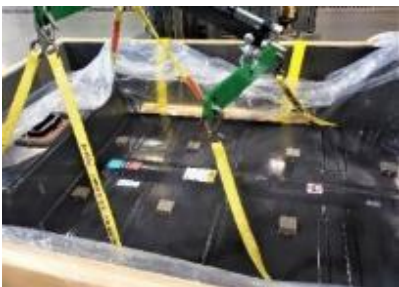
### N212343881 High Voltage Battery May Melt or Burn



- 8.2. Put two 4x4s (~36 inch length) (91 cm) on pallet jack forks.
- 8.3. Raise crate using pallet jack (w/4x4s on it) to raise crate additional 2-3 inch (5-8 cm) and place 2x4 on existing 4x4 under each runner at ends of crate and lower crate so runners rest on the 2x4s.
9. Confirm crate, with poly bag in place, is aligned appropriately under the high voltage battery on the engine hoist.
10. Ensure the heavy end of the high voltage battery is aligned to the end of the crate stenciled "heavy end". Ensure the crate and the fork truck /or engine hoist are squared up to one another.



5903448



5903449

11. Carefully lower the high voltage battery into the crate so as not to tear the poly bag or absorbent liner. Ensure the high voltage battery is leveled in the crate.
12. Confirm the following measurements to ensure high voltage battery is seated properly before proceeding.
  - At least 2 inch (5 cm) from top surface of #2 and #4 bars to top edge of vertical wood support (confirm at all 4 bars).
  - At least 16 inch (41 cm) from top surface of flange to top edge of crate at heavy end of high voltage battery.
  - At least 13 ½ inch (34 cm) from top surface of flange to top edge of crate at light end of high voltage battery.

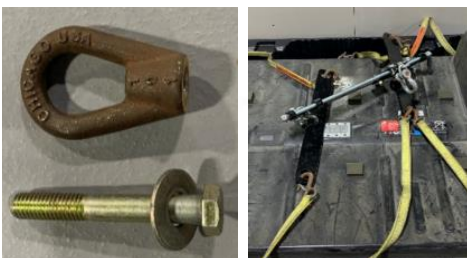
**Danger:** Measurements need to be taken at all 6 locations to ensure fully seated. Failure to carefully follow these procedures may result in serious injury or death.

13. If these measurements are not met at ALL 6 locations the high voltage battery is not properly seated and should be lifted, repositioned using tag lines and lowered again.

**Danger:** Measurements need to be retaken at all 6 locations to ensure fully seated. Failure to carefully follow these procedures may result in serious injury or death.

14. Once above measurements are taken and it is confirmed the high voltage battery is fully seated, disconnect lifting straps.

**CAUTION:** Ensure none of the high voltage battery "feet" are resting on any of the vertical supports to avoid high voltage battery damage.



5903450



# Product Safety Recall

## N212343881 High Voltage Battery May Melt or Burn



15. Once the high voltage battery is safely lowered into the crate, disconnect all six (eyenuts/bolts) assemblies from the high voltage battery. Remove eyenuts/bolts and lifting harness off of the high voltage battery and out of full cycle crate.



5903454

16. Open second absorbent pad, place on top of the high voltage battery as shown on the picture below, tuck the absorbent pad around the high voltage battery.



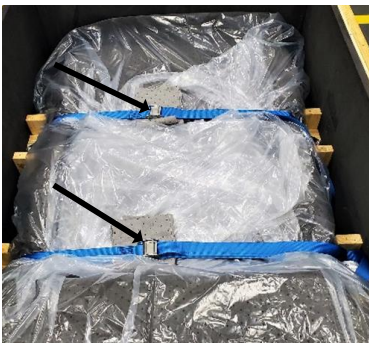
5903455

17. Fold the gusseted poly bag as follows:
  - a. Fold excess poly bag material on one short side of crate over end of high voltage battery.
  - b. Repeat for opposite short side of poly bag.



5903456

18. Fold excess poly bag material one of the long sides of crate across side of high voltage battery. Repeat for the opposite long side of poly bag.



5903457

## Product Safety Recall

### N212343881 High Voltage Battery May Melt or Burn



19. Loosely secure cinch straps take the 17 inch x 15 inch (43 x 38 cm) perforated absorbent pad, tear at perforation and place (1) pad under each of the (2) buckles to prevent any chaffing, or tears on the poly bag. Pull (2) cinch straps tight.



5903458

20. Using the previously removed 16 x T20 or T25 Torx head screws, reattach (2) horizontal crossbars on each side of the crate. Do not over tighten. Screws should be flush with top surface of the crossbar.

**Important:** Use extreme caution to ensure the poly bag is not pierced or torn to ensure compliance with dangerous goods transportation laws.



5903460

21. Return the lid to top of crate lifting by the handles on the top of the lid, **ensure the HEAVY END on lid aligns with heavy end on the side of the crate**. Carefully attach the lid using the (12) 1/2 inch hex head x 5/16 inch dia. x 4 inch lag screws that were loosened when the new battery was removed from the crate. Do not apply more than the maximum torque of 84-117 in-lbs (7 – 9.75 ft-lbs) (.97 - 1.24 – kg-m).



5903461



5903462

22. Reverse the (2), Class 9 panels to read Damaged / Defective (one on each side of the crate).
23. Open the three (3) release clips and reverse the panel to show UN3480 - DAMAGE / DEFECTIVE side.

# Product Safety Recall

## N212343881 High Voltage Battery May Melt or Burn



24. Close the three (3) clips to secure the panel in place.



25. **Do not** stack loaded crates more than 3 high. Maximum stacking weight 6,579 lbs. (2984kg). Ensure gross package weight does not exceed the UN specification mark on the package of 1645 lbs. (746 KG).

**Important:** Be sure to set up temporary location for the removed battery until final shipping preparation. Do not expose the crate to rain, snow or any other environment that will cause moisture related damage.

Ensure that all legal requirements for shipment of this material have been met, including those applicable to you as the shipper of dangerous goods/hazardous materials.

### Contact and Website Information

**Important:** For assistance with any dangerous goods relating to packaging or shipping information, please contact the Dangerous Goods and Container Question Hotline (English, Spanish and French) at:

- 1 (844) 931-4966
- Hours of Operation - Monday through Friday 8 a.m. – 5 p.m. US Central Standard Time.

Please refer to your region's GM Bulletin for the latest updates associated with this recall campaign. GM bulletins:

- N212343882 (export only,)
- N212345942 (export only.)

**Important:** The high voltage battery is regulated under dangerous goods transportation laws. As the shipper of record, dealers are responsible for compliance with all applicable international, federal, state, provincial, or local dangerous goods transportation laws. This includes, but is not limited to proper labeling, marking, completion of shipping papers, and packaging. Failure to comply with federal dangerous goods transportation laws may result in a violation of the U.S. Hazardous Materials Transportation Act, as amended, and its implementing regulations issued by the U.S. Department of Transportation at Title 49, Volumes 2-3, of the Code of Federal Regulations and could subject you to fines of up to \$84,425 for each violation, or criminal penalties.

### Dealer Responsibility – For USA & Export (USA States, Territories, and Possessions)

It is a violation of Federal law for a dealer to deliver a new motor vehicle or any new or used item of motor vehicle equipment (including a tire) covered by this notification under a sale or lease until the defect or noncompliance is remedied.

The US National Traffic and Motor Vehicle Safety Act provides that each vehicle that is subject to a recall of this type must be adequately repaired within a reasonable time after the customer has tendered it for repair. A failure to repair within sixty days after tender of a vehicle is prima facie evidence of failure to repair within a reasonable time. If the condition is not adequately repaired within a reasonable time, the customer may be entitled to an identical or reasonably equivalent vehicle at no charge or to a refund of the purchase price less a reasonable allowance for depreciation. To avoid having to provide these burdensome remedies, every effort must be made to promptly schedule an appointment with each customer and to repair their vehicle as soon as possible. In the recall notification letters, customers are told how to contact the US National Highway Traffic Safety Administration if the recall is not completed within a reasonable time.

### Dealer Responsibility – All

All new, used, GM Certified Used, courtesy transportation vehicles, dealer shuttle vehicles, etc. in dealers' possession and subject to this recall must be held and inspected/repaired per the service procedure of this bulletin before customers take possession of these vehicles. Involved vehicles must be held and not delivered to customers, dealer-traded, released to auction, used for demonstration, or any other purpose.



# Product Safety Recall

## N212343881 High Voltage Battery May Melt or Burn



All GM Certified Used vehicles currently in the dealers' inventory within the Certified Pre-Owned Inventory System (CPOIS) will be de-certified and must be held and remedied per the service procedure in this bulletin. Upon submitting an accepted/paid warranty transaction in the Global Warranty Management (GWM) system, the vehicle can be re-certified for sale within the CPOIS system, or once again be used in the CTP program.

Dealers are to service all vehicles subject to this recall at no charge to customers, regardless of mileage, age of vehicle, or ownership, from this time forward.

Customers who have recently purchased vehicles sold from your vehicle inventory, and for which there is no customer information indicated on the dealer listing, are to be contacted by the dealer. Arrangements are to be made to make the required correction according to the instructions contained in this bulletin. Recall follow-up cards should not be used for this purpose, since the customer may not as yet have received the notification letter.

In summary, whenever a vehicle subject to this field action enters your vehicle inventory you must take the steps necessary to ensure the program correction has been made before selling the vehicle. In addition, for vehicles entering your facility for service, you are required to ensure the customer is aware of the open field action and make every reasonable effort to implement the program correction as set forth in this bulletin prior to releasing the vehicle.

### Dealer Reports

For dealers with involved vehicles, a listing has been prepared and will be available through GM GlobalConnect Maxis Field Action Reports or sent directly to export dealers. The Inventory tab of the dealer reports will contain VINs that apply to this recall. This information is intended to assist dealers with the **PROMPT COMPLETION** of these vehicles. The Customer In-Service tab will contain customer names and addresses from Motor Vehicle Registration Records. The use of such motor vehicle registration data for any purpose other than follow-up necessary to complete this recall may be a violation of law in several states.

### Courtesy Transportation – For USA & Canada

Courtesy transportation is available for customers whose vehicles are involved in this safety recall.

### Customer Notification

USA & Canada - General Motors will notify customers of this recall on their vehicle.

Export - Letters will be sent to known owners of record located within areas covered by the US National Traffic and Motor Vehicle Safety Act.

GM bulletins are intended for use by professional technicians, NOT a "do-it-yourselfer". They are written to inform these technicians of conditions that may occur on some vehicles, or to provide information that could assist in the proper service of a vehicle. Properly trained technicians have the tools, equipment, safety instructions, and know-how to do a job properly and safely. If a condition is described, **DO NOT** assume that the bulletin applies to your vehicle, or that your vehicle will have that condition. See your dealer for information on whether your vehicle may benefit from the information.



**We Support  
Voluntary Technician  
Certification**