



RECALL CAMPAIGN BULLETIN

Classification: RS21-007	Reference: NTB21-065	Date: July 22, 2021
-----------------------------	-------------------------	------------------------

VOLUNTARY SAFETY RECALL CAMPAIGN 2021 ROGUE SPORT; FRONT PASSENGER AND BOTH REAR SEAT BELT RETRACTOR ASSEMBLIES

CAMPAIGN ID #: RT050
APPLIED VEHICLES: 2021 Rogue Sport (J11)

Check Service COMM or Dealer Business Systems (DBS) National Service History to carefully determine if Campaign RT049 or Campaign RT050 applies to this vehicle.

NOTE:

- If Campaign RT049 is applicable to the vehicle you are working on, then this bulletin does NOT apply. Please refer to NTB21-064.
- If Campaign RT050 is applicable to the vehicle you are working on, proceed to the **SERVICE PROCEDURE** on page 2.

INTRODUCTION

Nissan is conducting this voluntary safety recall campaign, on certain specific model year 2021 Rogue Sport vehicles, to replace the front passenger and both rear seat belt retractor assemblies. This service will be performed at no charge to the customer for parts or labor.

IDENTIFICATION NUMBER

Nissan has assigned identification number RT050 to this campaign. This number must appear on all communication and documentation of any nature dealing with this campaign.

DEALER RESPONSIBILITY

It is the dealer's responsibility to check Service COMM or Dealer Business Systems (DBS) National Service History for the campaign status on each vehicle falling within the range of this voluntary safety recall which for any reason enters the service department. This includes vehicles purchased from private parties or presented by transient (tourist) owners and vehicles in a dealer's inventory. **Federal law requires that new vehicles in dealer inventory which are the subject of a safety recall must be corrected prior to sale. Failure to do so can result in civil penalties by the National Highway Traffic Safety Administration.** While federal law applies only to new vehicles, Nissan strongly encourages dealers to correct any used vehicles in their inventory before they are retailed.

Nissan Bulletins are intended for use by qualified technicians, not 'do-it-yourselfers'. Qualified technicians are properly trained individuals who have the equipment, tools, safety instruction, and know-how to do a job properly and safely. **NOTE:** If you believe that a described condition may apply to a particular vehicle, DO NOT assume that it does. See your Nissan dealer to determine if this applies to your vehicle.

SERVICE PROCEDURE

Front Passenger Seat Belt Retractor Assembly Replacement

1. Open the front passenger (RH) and both rear doors, and then slide the front passenger seat to the forward most position, as shown in Figure 1.



Figure 1

2. Open the hood and remove the air duct 2 in order to access the battery.



Figure 2

3. Disconnect the negative battery terminal.
 - Verify the ignition is OFF before disconnecting the terminal.
 - Install protective tape over the negative battery terminal.
 - Wait a minimum of 3 minutes before proceeding so that the air bag diagnosis unit may fully discharge any remaining electricity.

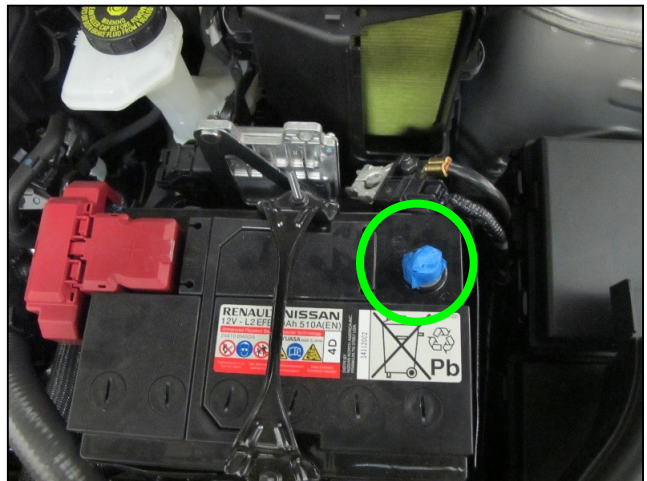


Figure 3

NOTICE

To prevent damage to the ACC power supply, do not operate the vehicle, such as locking/unlocking or opening/closing the doors within the 3 minute waiting period.

⚠ WARNING

To prevent the risk of personal injury or damage to the vehicle, verify the ignition switch is OFF and a minimum of 3 minutes has elapsed since the negative battery terminal was disconnected, before proceeding to step 4.

4. Replace the front passenger seat belt retractor assembly.

- Refer to the ESM: **RESTRAINTS > SEAT BELT > REMOVAL AND INSTALLATION > FRONT SEAT RETRACTOR > FRONT SEAT RETRACTOR: Removal & Installation**

NOTICE

To prevent damage to the interior trim pieces, always use a trim removal tool made from plastic.

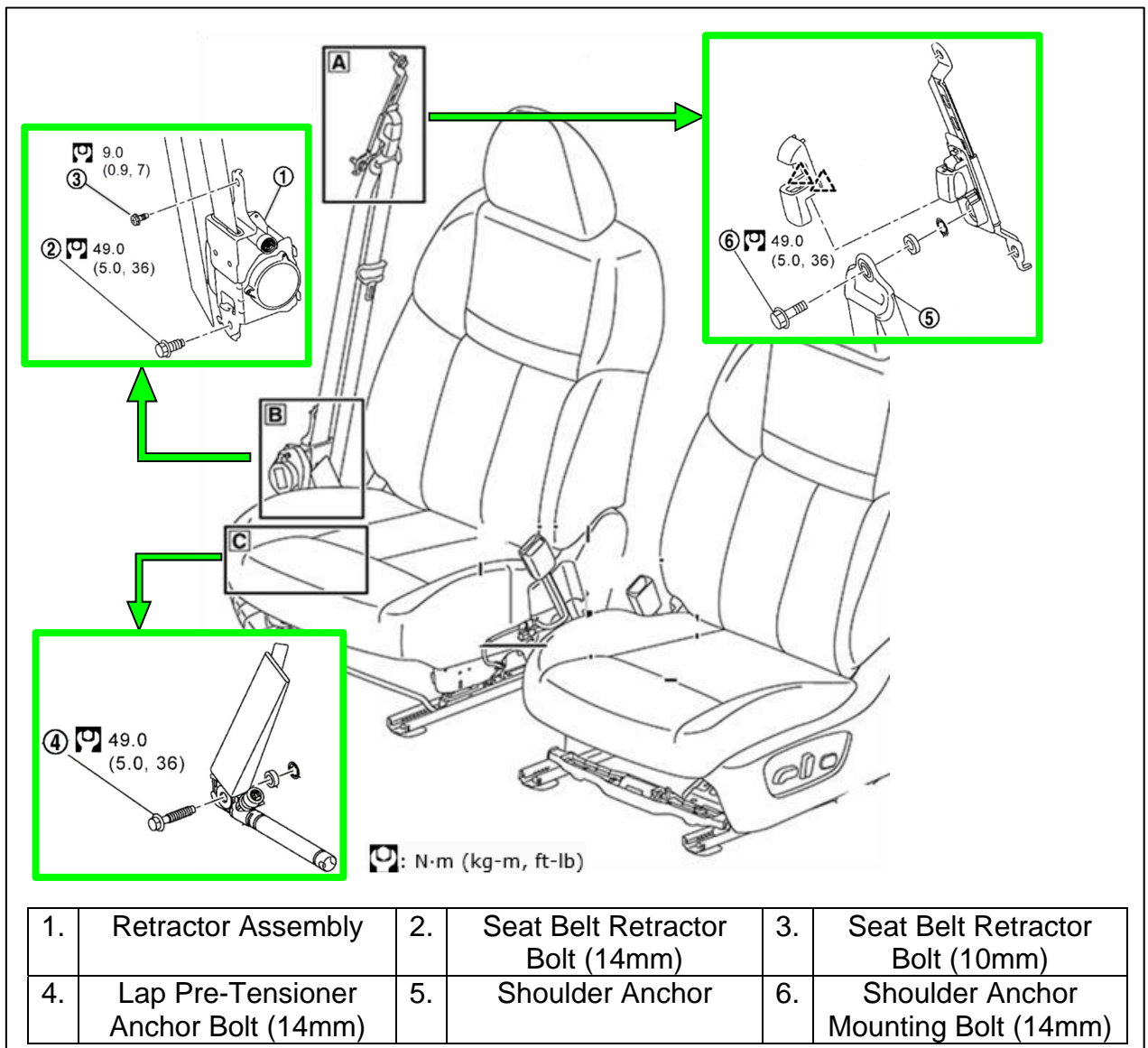


Figure 4

Rear Seat Belt Retractor Assembly Replacement

- Open the back hatch door and remove the tonneau cover assembly, if equipped.

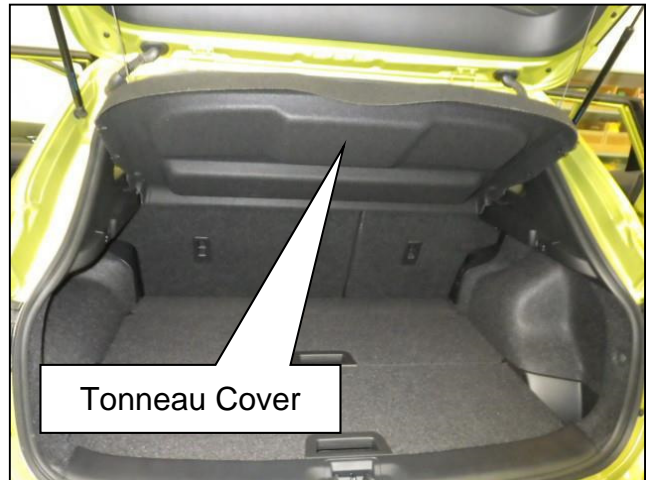


Figure 5

- Replace both rear seat belt retractor assemblies.
 - Refer to the ESM: **RESTRAINTS > SEAT BELT > REMOVAL AND INSTALLATION > REAR SEAT RETRACTOR > REAR SEAT RETRACTOR: Removal & Installation**

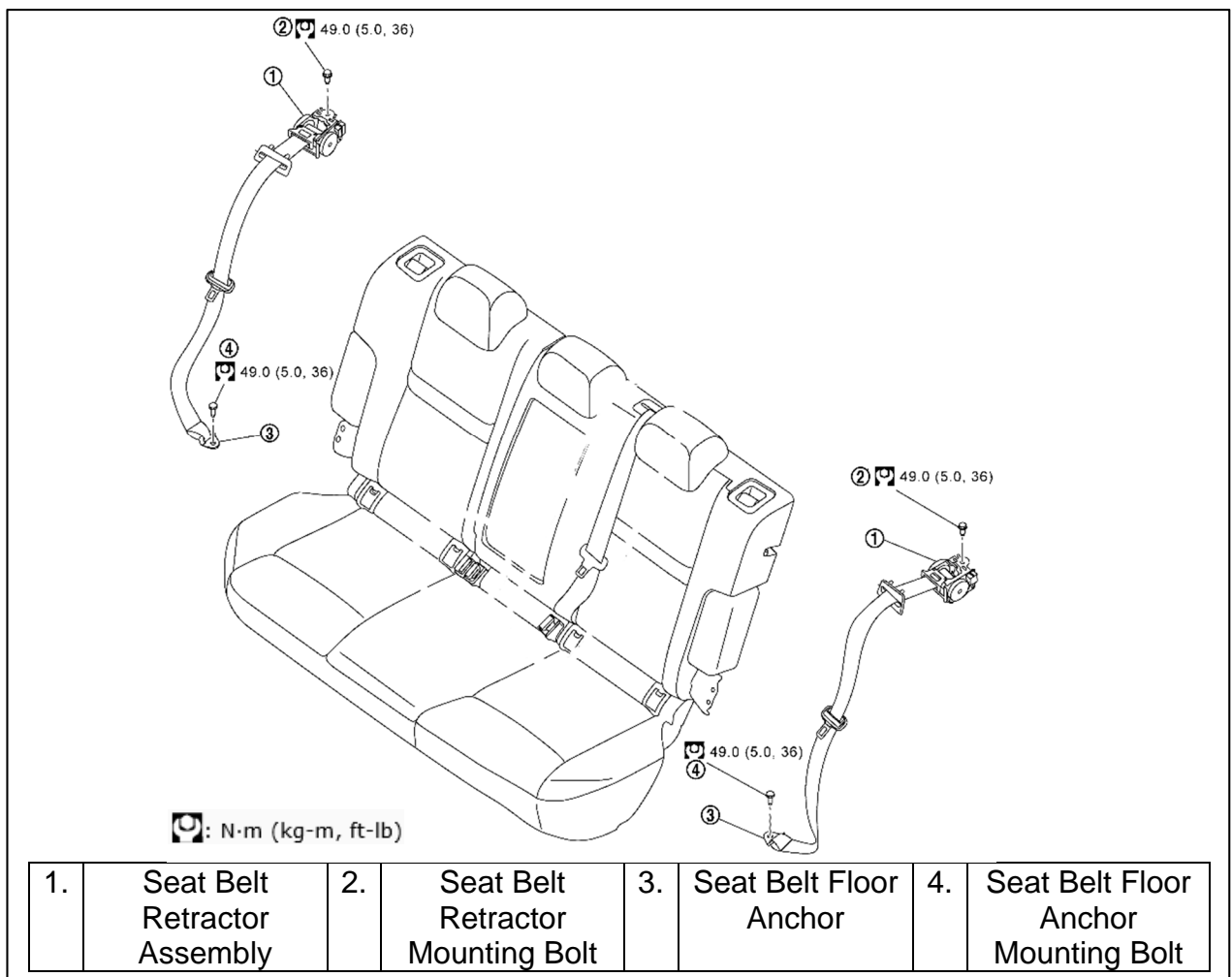


Figure 6

7. Reinstall the tonneau cover, if equipped, and close the back hatch door.

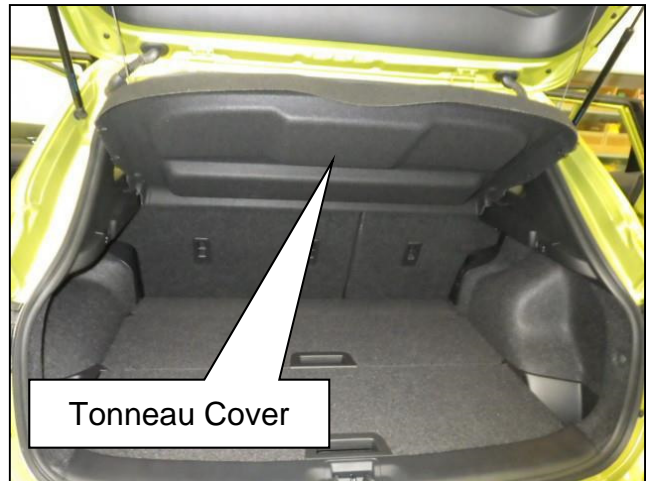


Figure 7

8. Remove the protective tape from the negative battery terminal, and then install the negative cable to the battery terminal.
 - Negative battery cable terminal nut torque: 5.4 N•m (0.55 kg-m, **48 in-lb**)

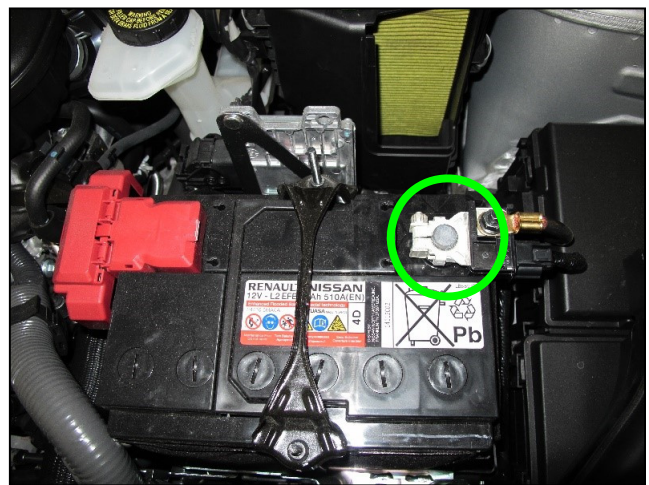


Figure 8

9. Reinstall the air duct 2, and then close the hood.



Figure 9

10. Return the front passenger seat to its original position, and then close all passenger doors.

11. Clear any DTCs from all control units using C-III plus.

NOTE: Refer to the ESM for diagnosis of any DTCs that return after performing DTC erase.

PARTS INFORMATION

DESCRIPTION	PART NUMBER	QUANTITY
BELT ASSY – TONG (Front Passenger Seat Belt Retractor Assembly)	86884-6MR0A	1
BELT ASSY – TONG (Rear Seat Belt Retractor Assembly)	88884-6MR2A	2

CLAIMS INFORMATION

Submit a “CM” line claim using the following claims coding:

CAMPAIGN (“CM”) ID	DESCRIPTION	OP CODE	FRT
RT050	Replace the Front RH (Passenger) Seat Belt Retractor Assembly and Both Rear Seat Belt Retractor Assemblies	RT0500	1.4

AMENDMENT HISTORY

PUBLISHED DATE	REFERENCE	DESCRIPTION
July 22, 2021	NTB21-065	Original bulletin published