

Safety Recall: 2019 Accord 2.0T Fuel Pump Motor

Supersedes 21-027, dated March 26, 2021, to revise the information highlighted in **yellow**

AFFECTED VEHICLES

Year	Model	Trim Level	VIN Range
2019	Accord 2.0T	ALL	Check the iN VIN status for eligibility.

REVISION SUMMARY

Under REPAIR PROCEDURE, steps 17, 27, 28, 29, 30, and 36 were revised.

BACKGROUND

Due to swelling of the fuel pump motor impeller, the fuel pump may seize and stop working. If this occurs, the check engine light may be displayed with DTC P0087 (Fuel Rail Pressure Too Low) stored, the engine may not start, or the engine could stall while driving, increasing the risk of a crash.

CUSTOMER NOTIFICATION

Owners of affected vehicles will be sent a notification of this campaign.

Do an iN VIN status inquiry to make sure the vehicle is shown as eligible.

Some vehicles affected by this campaign may be in your new or used vehicle inventory.

Failure to repair a vehicle subject to a recall or campaign may subject your dealership to claims or lawsuits from the customer or anyone else harmed as a result of such failure. To see if a vehicle in inventory is affected by this safety recall, do a VIN status inquiry before selling it.

CORRECTIVE ACTION

Replace the fuel pump motor.

NOTE: If the vehicle has any of the symptoms listed in BACKGROUND, you must apply this bulletin before attempting any other repairs. If the symptoms remain after the recall repair is complete, only attempt further repairs (such as replacing the high pressure fuel pump) after authorized troubleshooting.

CUSTOMER INFORMATION: The information in this bulletin is intended for use only by skilled technicians who have the proper tools, equipment, and training to correctly and safely maintain your vehicle. These procedures should not be attempted by "do-it-yourselfers," and you should not assume this bulletin applies to your vehicle, or that your vehicle has the condition described. To determine whether this information applies, contact an authorized Honda automobile dealer.

PARTS INFORMATION

NOTE: Due to limited supply, this is a controlled part and will require a valid VIN when ordering.

Part Name	Part Number	Quantity
Fuel Pump Motor Kit	06170-TVC-306	1

For dealers experiencing a strong fuel smell from storing a fuel pump motor replaced under this service bulletin, the fuel pump motor may be disposed of immediately in accordance with local regulations. This only applies to the fuel pump motor replaced under this service bulletin. The published retention policy remains in effect for all other parts.

If you have any questions about this exception or other parts retention issues, contact the WPI Administrative Office at 937-642-2737.

TOOL INFORMATION

Tool Name	Part Number	Quantity
Fuel Sender Wrench	070AA-TLA0100	1

WARRANTY CLAIM INFORMATION

Operation Number	Description	Flat Rate Time	Defect Code	Symptom Code	Template ID	Failed Part Number
3101HK	Replace the fuel pump motor.	1.2 hr	6FE00	FA800	A21027A	17045-TVC-A03

Skill Level: Repair Technician

REPAIR PROCEDURE

⚠ WARNING

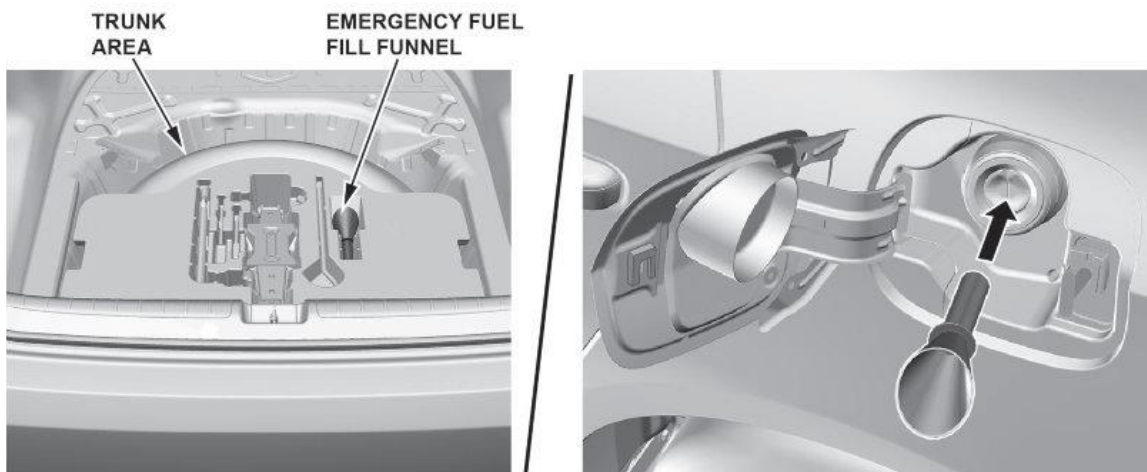
Fuel pump motor removal exposes fuel, which can ignite, causing a fire or explosion.

This can cause serious injury or death.

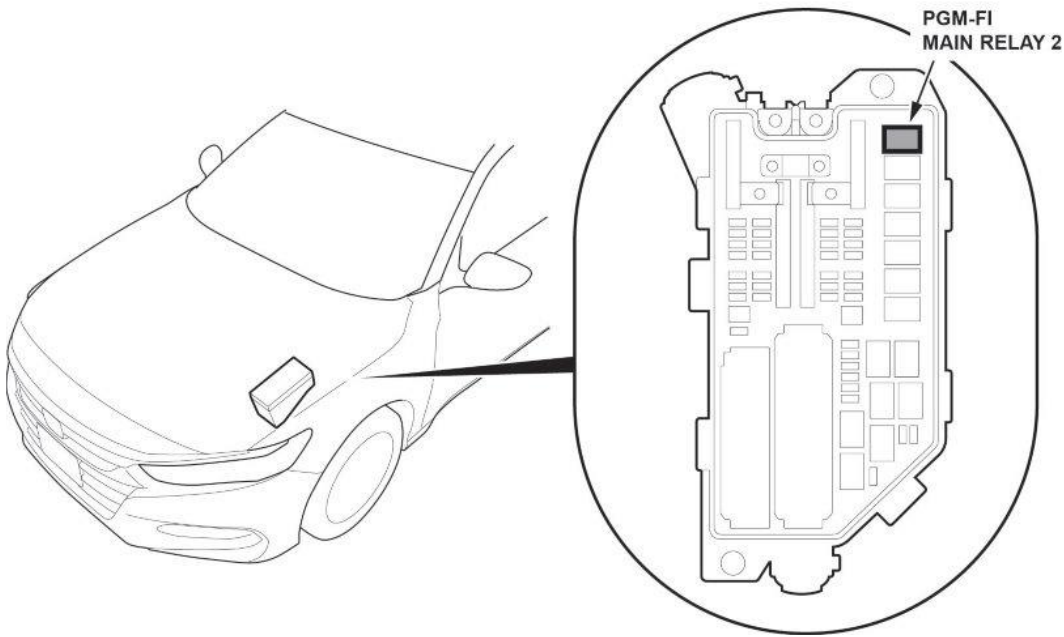
Always work in a well-ventilated area and keep sparks or open flames away.

1. Insert the emergency fuel fill funnel into the fuel filler neck to relieve the pressure in the fuel tank.

NOTE: The emergency fuel fill funnel is in the trunk tool box.



2. Remove PGM-FI main relay 2.



3. Start the engine, and let it idle until it stalls.

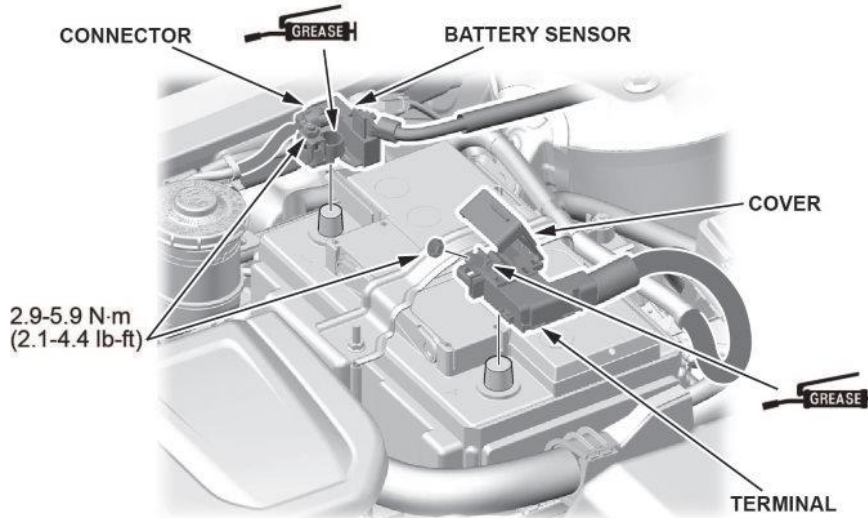
4. Turn the ignition to OFF.

5. Install PGM-FI main relay 2.

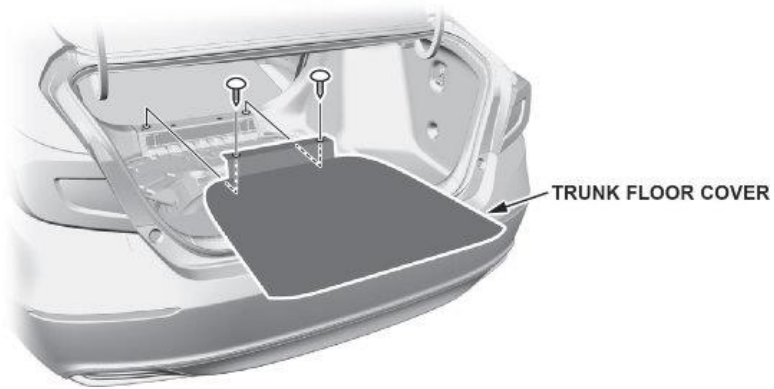
6. Disconnect both 12-volt battery terminals.

NOTICE

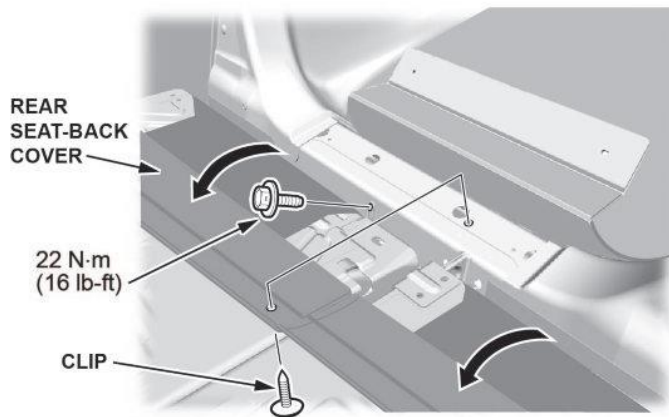
- Always disconnect the negative terminal first.
- To protect the terminal connector from damage, do not hold it when removing the terminal.
- Do not disconnect the 12-volt battery sensor from the cable.



7. Remove the trunk floor cover.



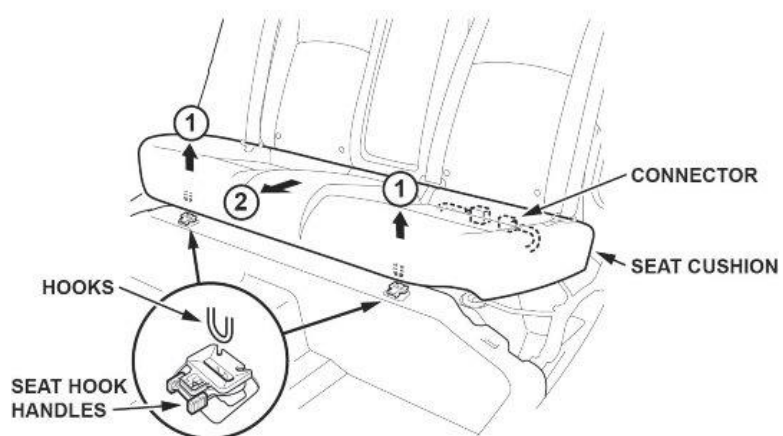
8. Fold down the left- and right-rear seat-backs.
9. Remove the clip, then turn over the rear seat-back cover.



10. Remove the bolt.
11. Fold up the left- and right-rear seat-backs.

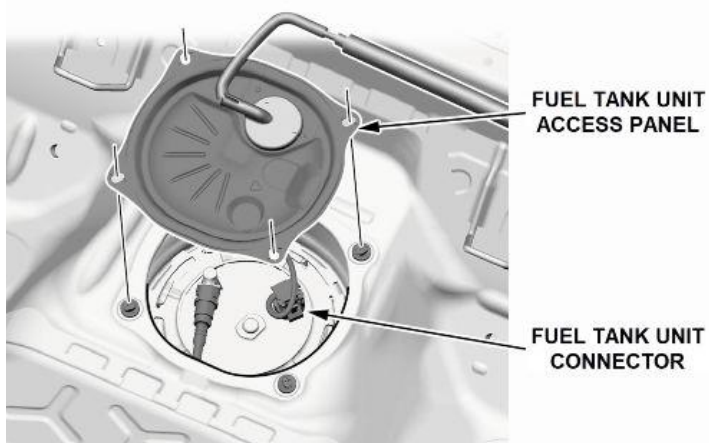
12. While pushing down on the seat cushion, pull the seat hook handles to release the hooks.

With rear seat heaters: Disconnect the connector.

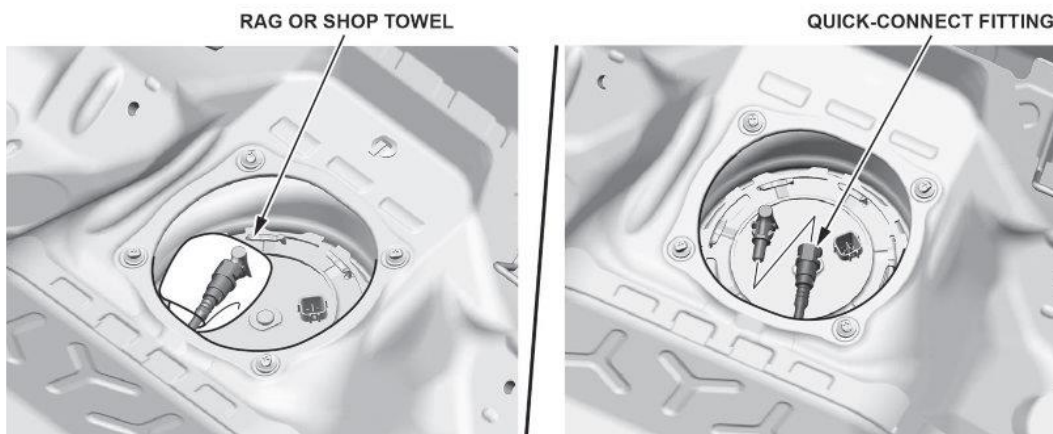


13. Remove the rear seat cushion.

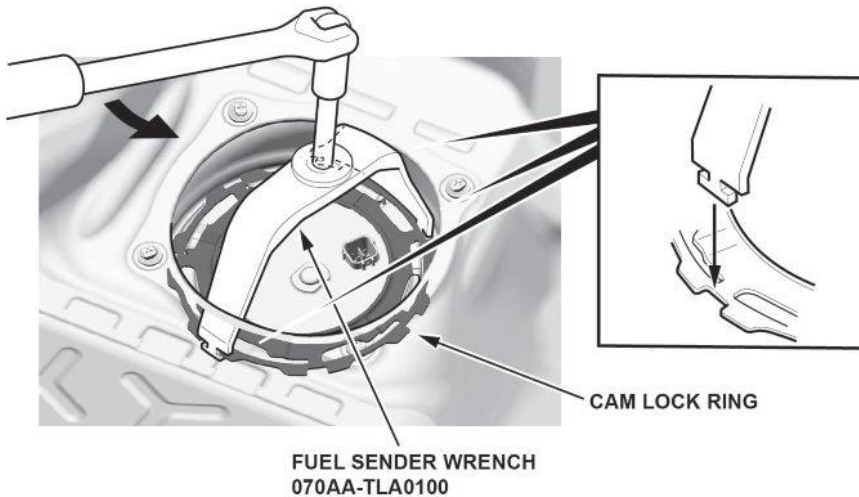
14. Remove the fuel tank unit access panel and disconnect the connector.



15. Place a rag or shop towel over the quick-connect fitting, and disconnect it.



16. Set the fuel sender wrench (070AA-TLA0100) as shown.

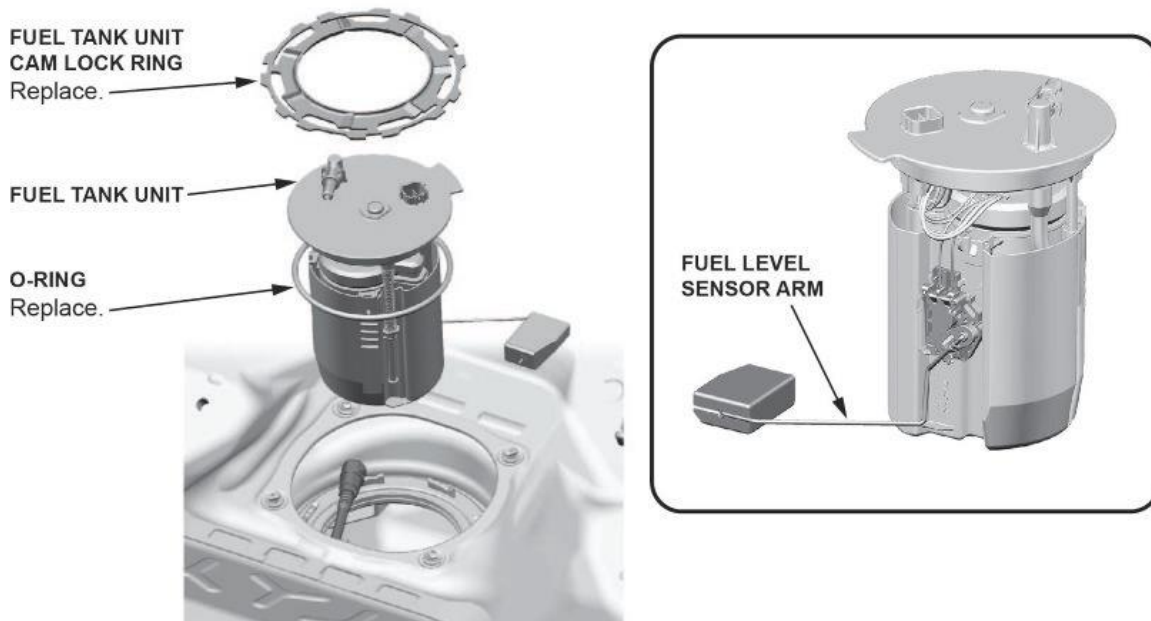


17. Turn the fuel tank unit cam lock ring counterclockwise to unlock it.

NOTE: After unlocking the fuel tank unit cam lock ring, clean the top of the fuel pump flange and adjacent areas to make sure it's free of dirt, dust, and debris.

18. Remove the fuel tank unit.

NOTE: Make sure not to bend or twist the fuel level sensor arm excessively.



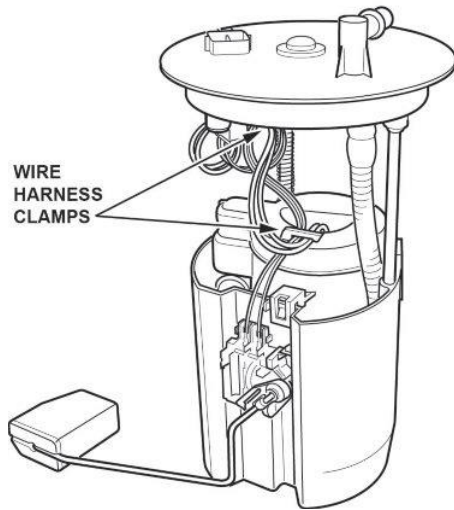
19. Prepare the fuel pump and parts to be replaced.

NOTE: Take a photo of the fuel tube and wire harness, and note their routing for assembly. There are various types of routing.

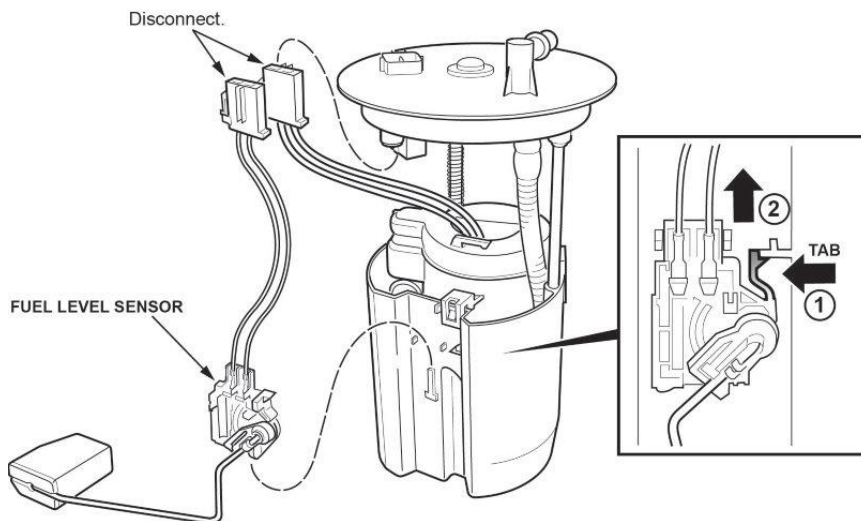
20. Spread the wire harness clamps, and remove the wire harness. Make sure not to damage the wire harness.

NOTICE

Do not spread the clamps too wide. Spreading them too wide may damage them.

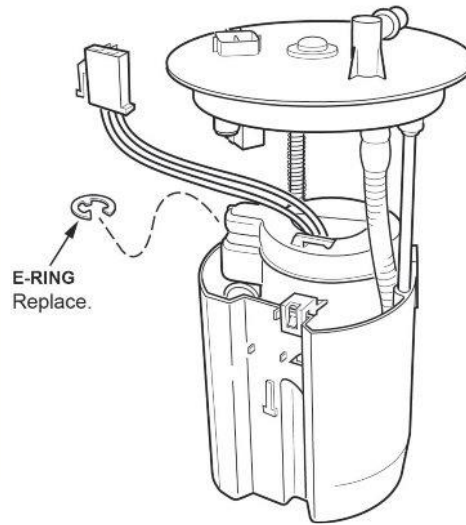


21. Press the tab on the fuel level sensor to release the lock. Then, push up on the fuel level sensor.



22. Disconnect the fuel level sensor harness, and remove the fuel level sensor from the fuel tank unit.

23. Remove the E-ring, and discard it.

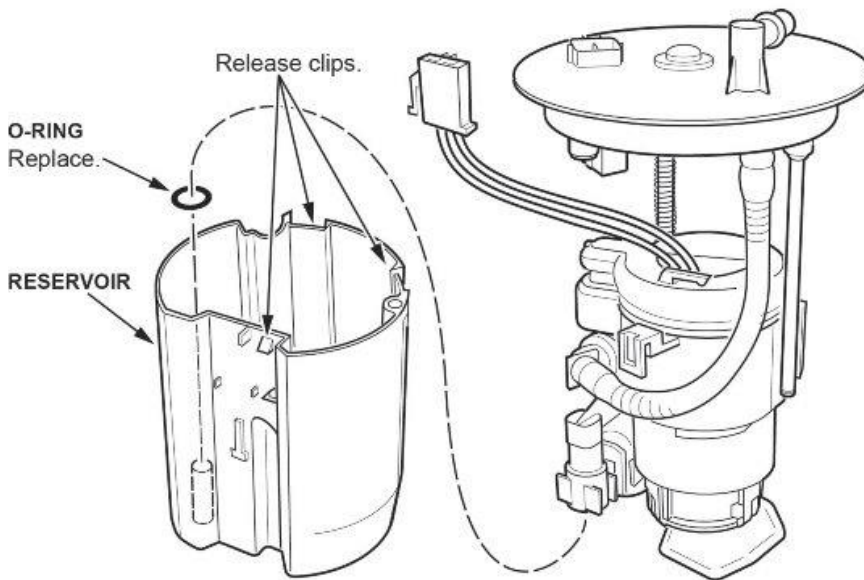


24. Remove the fuel filter assembly from the reservoir by releasing the three clips.

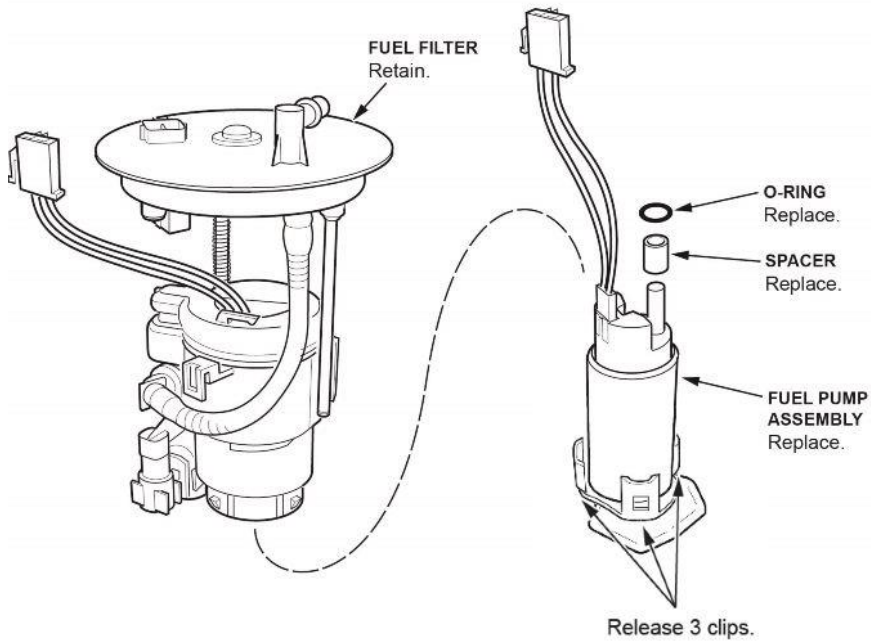
NOTE: The spring may slide off the sliding shaft. Retain this spring. It will be used during assembly.

NOTICE

Do not spread the clips too wide. Spreading them too wide may damage them.



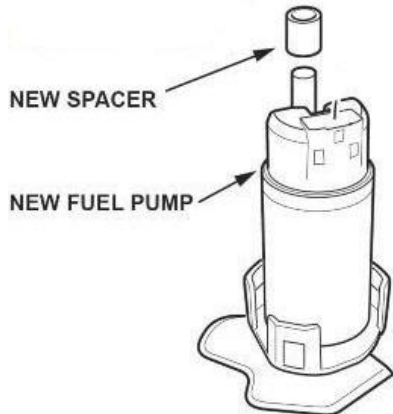
25. Release the three clips at the base of the fuel pump assembly and remove it from the fuel filter.



26. Pull the fuel pump assembly out of the fuel filter.

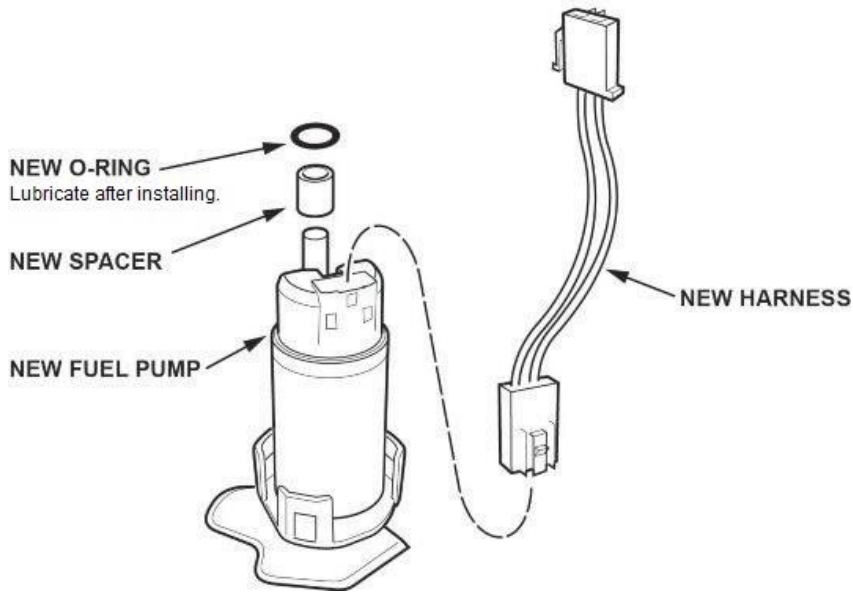
NOTE: If the O-ring remains on the fuel filter, use a flat-tip screwdriver wrapped in protective tape to remove it. Make sure not to damage the O-ring seat section.

27. **Install the new spacer on the new fuel pump motor.**



28. Install the new O-ring, then lubricate the outside edge of it, use only clean engine oil.

NOTE: Do not pinch the O-ring during installation.



29. Install the new harness and make sure the connection is secure and the connectors are firmly locked into place.

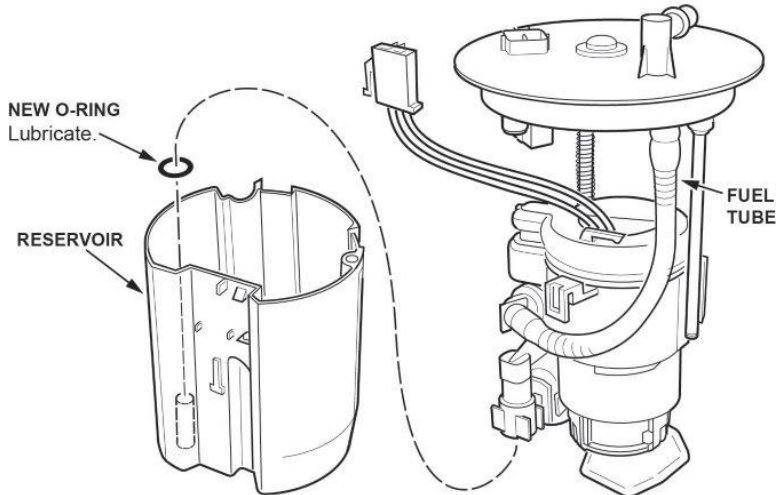
30. Place the fuel pump on a bench, then install the filter to the fuel pump.

NOTE: If the fuel pump does not engage into the fuel filter and re-insertion is necessary, confirm that the O-ring is seated on the fuel pump before repeating installation.

31. Install the fuel filter assembly to the reservoir.

NOTE:

- Coat the O-ring with clean engine oil; do not use any other oil or fluid.
- Do not pinch the O-ring during installation.
- Insert the spring into the sliding shaft, and make sure it is lined up when installing the fuel filter.
- Make sure to route the fuel tube **exactly** as shown in the photo taken before disassembly.
- Make sure the three clips are fully engaged.



32. Install the new E-ring.

NOTE: After installation, make sure the E-ring can be rotated with your finger. If it cannot be rotated, the E-ring may not be fully seated or may be incorrectly installed.

33. Install the fuel level sensor to the reservoir. Make sure the lock is engaged.

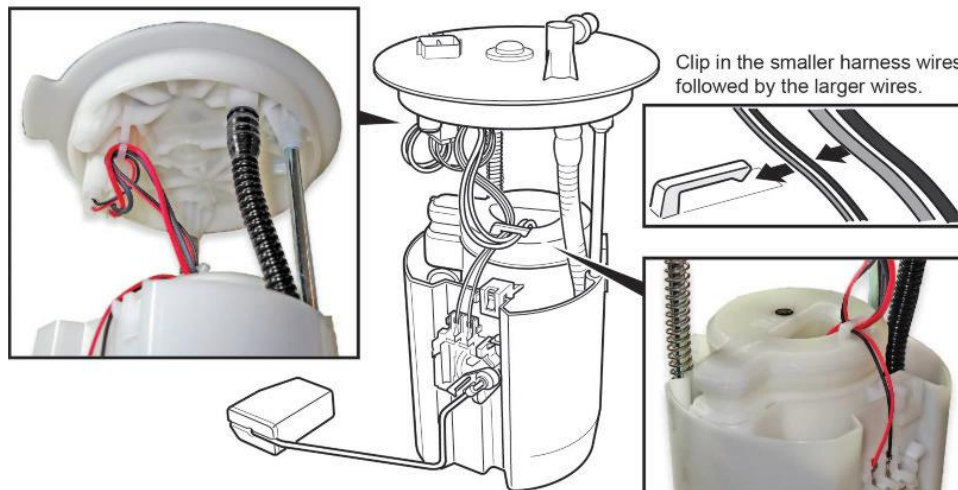
NOTE: When installing the fuel level sensor, make sure the connection is secure and the connector is firmly locked into place. Be careful not to bend or twist it excessively.

34. Install the wiring harness to the clamps.

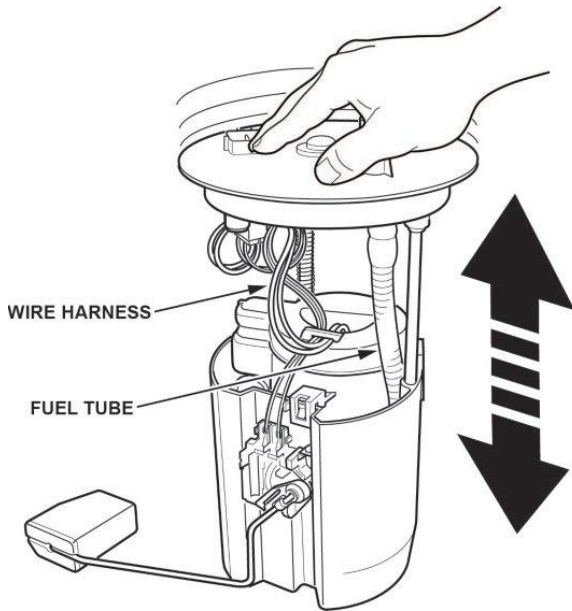
NOTE:

- Clip in the smaller harness wires followed by the larger wires.
- Make sure not to damage the wire harness.
- Make sure to route the wire harness **exactly** as shown in the photo taken before disassembly.
- Do not spread the clamps too wide. Spreading them too wide may damage them.

HARNESS ROUTING:



35. While compressing the fuel tank unit, make sure the movement is smooth and the fuel tube and wiring harness do not stretch, pinch, or bind.



36. Install the fuel tank unit into the fuel tank with a new O-ring.

NOTE:

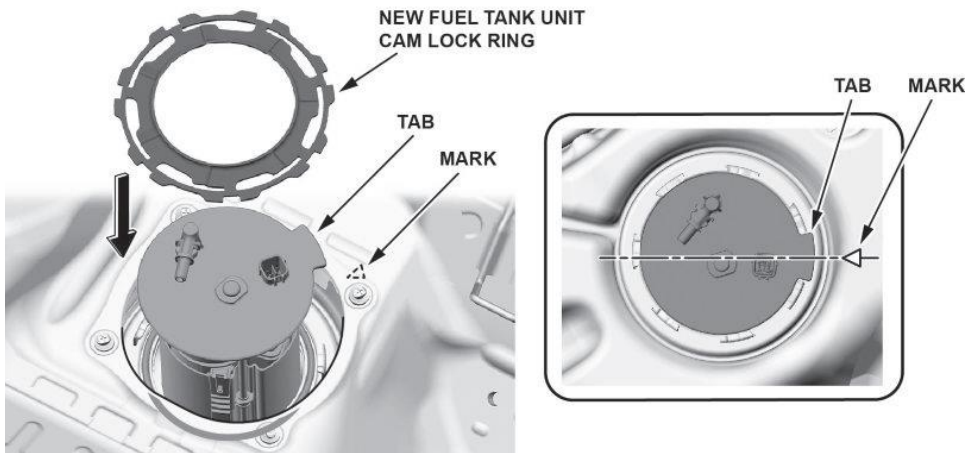
- Before installing the new O-ring, clean the fuel tank around the fuel pump opening where the O-ring will seat. The tank opening must be free of dirt, dust, and debris.
- Be careful not to damage the O-ring.
- Do not coat the O-ring with any oil.



37. Line up the tab of the fuel tank unit as shown, and partially install the new fuel tank unit cam lock ring with a new O-ring.

NOTE:

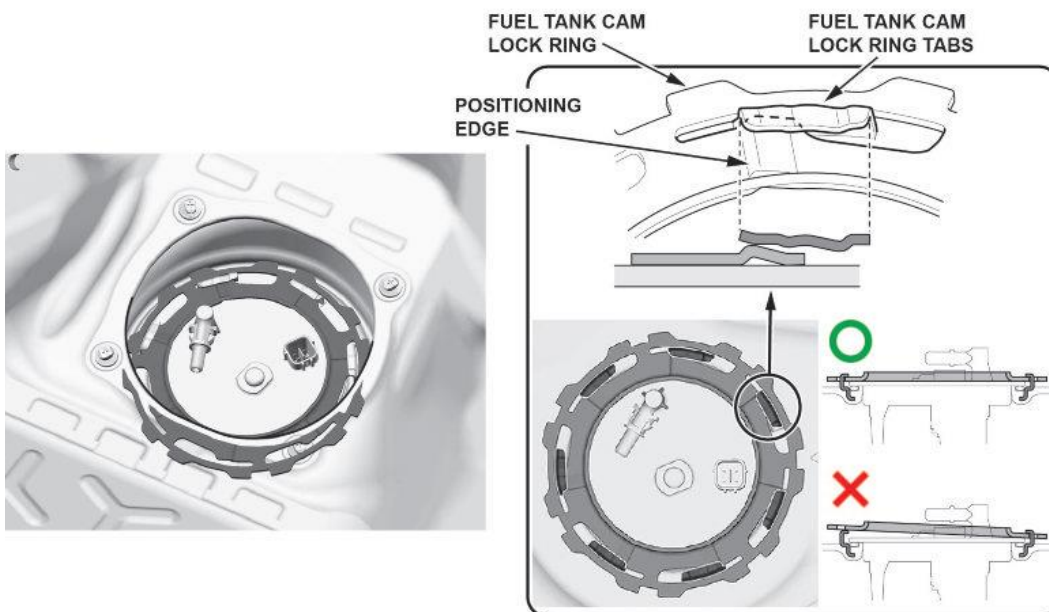
- Be careful not to damage the O-ring.
- Do not coat the O-ring with any oil.



38. Turn the fuel tank unit cam lock ring by hand, and slide the fuel tank unit cam lock tabs to the positioning edge as shown.

NOTICE

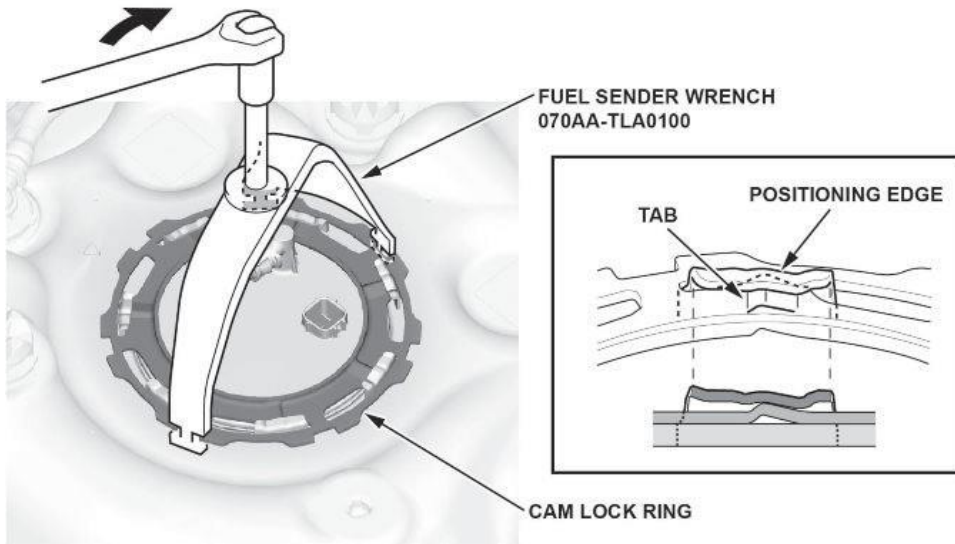
Make sure the fuel cam lock ring is not floating. If the cam lock ring is not properly installed, the fuel tank can be damaged and will require replacement.



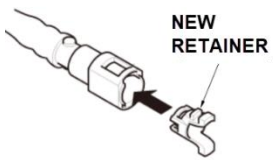
39. Tighten the fuel tank unit cam lock ring by turning clockwise using the fuel sender wrench.

NOTE:

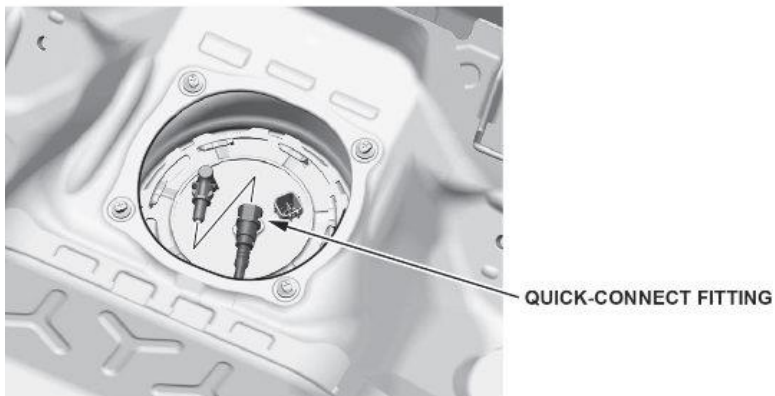
- Keep the fuel sender wrench from floating.
- Securely set the positioning edge of the fuel tank to the tabs on the cam lock ring as shown.



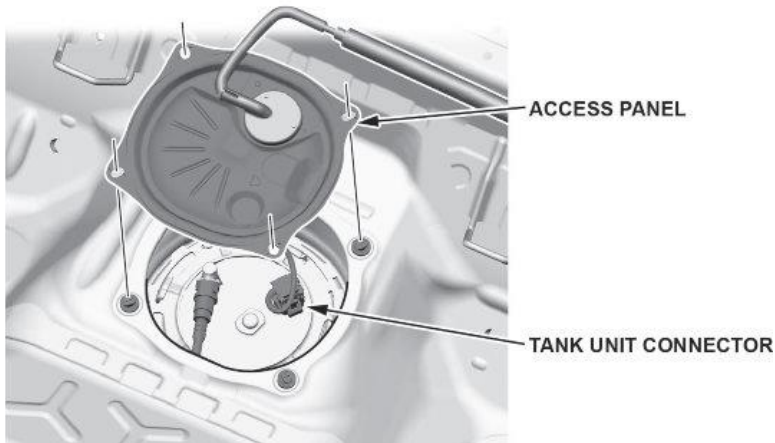
40. Remove the quick-connect fitting retainer from the fuel tank unit, then install a new retainer onto the quick-connect fitting.



41. Connect the fuel line quick-connect fitting.



42. Connect the fuel tank unit connector.



43. Connect the 12-volt battery terminals.

44. Turn the ignition to ON, but do not turn the engine on. After the fuel pump runs for about **2 seconds**, the fuel line will be pressurized. Repeat this two or three times, then make sure there is no fuel leakage.

45. Install the fuel tank unit access panel.

46. Install the remaining parts in the reverse order of removal.

47. Clear all DTCs using an i-HDS.

48. Do the VSA Sensor Neutral Position Memorization procedure.

49. *California residents only:* Fill out a Vehicle Emissions Recall – Proof of Correction certificate, and use **FA8** as the recall number. Have the service advisor give the certificate to your customer, and advise him or her to keep it as proof that the recall was completed. Your customer will need to submit this certificate to the DMV only if the DMV requests it. If you need more certificates, use reorder number **Y0657**.

Vehicle Emission Recall - Proof of Correction				
License Number	Make	Year Model	Body Type	Vehicle Identification Number
				<input type="text"/>
Manufacturer _____			Recall Number FA8	
The above described vehicle has been repaired, modified and/or equipped with new emission control devices to meet applicable California Emission Control Laws.				
Dealer's Name		Address, City, State and Zip		
Date		Dealership's Authorized Signature		
		X		
Return this certificate to DMV only when required - otherwise retain for your records.				

Y0657 ACL 24832 (0212)

END