

April 16, 2021

Version 1

Safety Recall: 2019 Ridgeline Fuel Pump Motor

AFFECTED VEHICLES

Year	Model	Trim Level	VIN Range
2019	Ridgeline	ALL	Check the iN VIN status for eligibility.

BACKGROUND

Due to swelling of the fuel pump motor impeller, the fuel pump may seize and stop working. If this occurs, the check engine light may be displayed with DTC P0087 (Fuel Rail Pressure Too Low) stored, the engine may not start, or the engine could stall while driving, increasing the risk of a crash.

CUSTOMER NOTIFICATION

Owners of affected vehicles will be sent a notification of this campaign.

Do an iN VIN status inquiry to make sure the vehicle is shown as eligible.

Some vehicles affected by this campaign may be in your new or used vehicle inventory.

Failure to repair a vehicle subject to a recall or campaign may subject your dealership to claims or lawsuits from the customer or anyone else harmed as a result of such failure. To see if a vehicle in inventory is affected by this safety recall, do a VIN status inquiry before selling it.

CORRECTIVE ACTION

Replace the fuel pump motor.

NOTE: If the vehicle has any of the symptoms listed in BACKGROUND, you must apply this bulletin before attempting any other repairs. If the symptoms remain after the recall repair is complete, only attempt further repairs (such as replacing the high pressure fuel pump) after authorized troubleshooting.

PARTS INFORMATION

NOTE: Due to limited supply, this will be a controlled part and will require a valid VIN when ordering.

Part Name	Part Number	Quantity
Fuel Pump Motor Kit	06170-TZ5-305	1

For dealers experiencing a strong fuel smell from storing a fuel pump motor replaced under this service bulletin, the fuel pump motor may be disposed of immediately in accordance with local regulations. This only applies to the fuel pump motor replaced under this service bulletin. The published retention policy remains in effect for all other parts.

If you have any questions about this exception or other parts retention issues, contact the WPI Administrative Office at **937-642-2737**.

CUSTOMER INFORMATION: The information in this bulletin is intended for use only by skilled technicians who have the proper tools, equipment, and training to correctly and safely maintain your vehicle. These procedures should not be attempted by "do-it-yourselfers," and you should not assume this bulletin applies to your vehicle, or that your vehicle has the condition described. To determine whether this information applies, contact an authorized Honda automobile dealer.

TOOL INFORMATION

Tool Name	Part Number	Quantity
Fuel Sender Wrench	07AAA-T0AA100	1

WARRANTY CLAIM INFORMATION

Operation Number	Description	Flat Rate Time	Defect Code	Symptom Code	Template ID	Failed Part Number
3101HK	Replace the fuel pump motor.	1.6 hr	6FE00	FAL00	A21035A	17045-TZ5-A10

Skill Level: Repair Technician

REPAIR PROCEDURE

⚠ WARNING

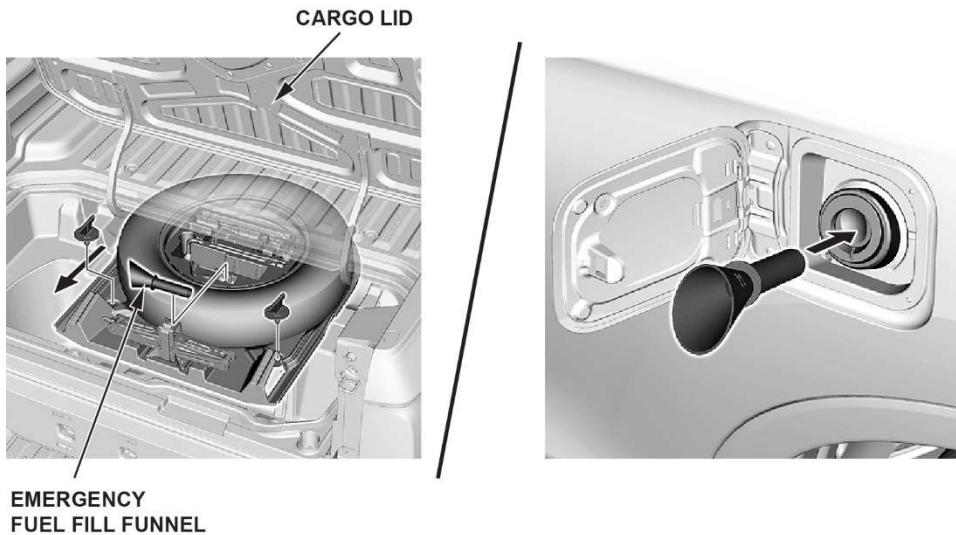
Fuel pump motor removal exposes fuel, which can ignite, causing a fire or explosion.

This can cause serious injury or death.

Always work in a well-ventilated area and keep sparks or open flames away.

1. Insert the emergency fuel fill funnel into the fuel filler neck to relieve the pressure in the fuel tank.

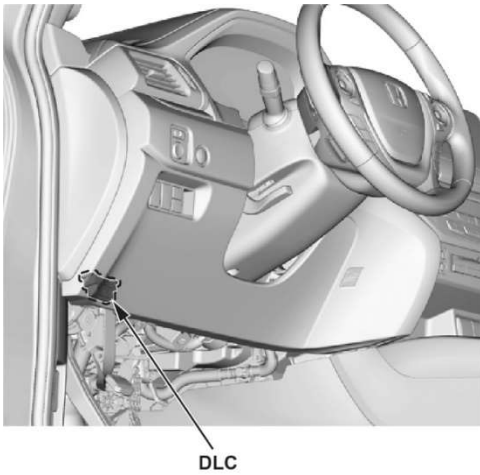
NOTE: The emergency fuel fill funnel is located in the tool box under the cargo lid.



2. Relieve the fuel pressure.

With an i-HDS:

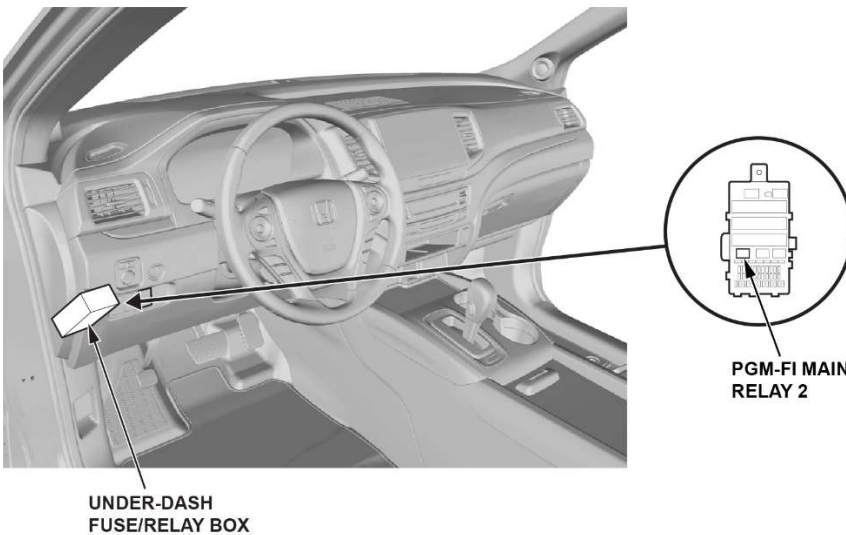
- Connect an i-HDS to the DLC located under the driver's side of the dashboard.



- Turn the ignition to ON.
- Select the **PGM-FI** system on the i-HDS.
- Select **FUEL PUMP OFF** from the **Inspection menu**.
- Start the engine, and let it idle until it stalls.
- Turn the ignition to OFF.

Without an i-HDS:

- Remove the PGM-FI main relay 2 from the under-dash fuse/relay box.

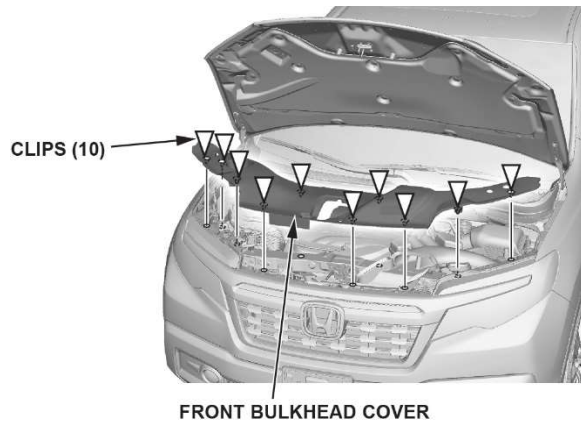


- Start the engine, and let it idle until it stalls.
- Turn the ignition to OFF.
- Install the PGM-FI main relay 2.

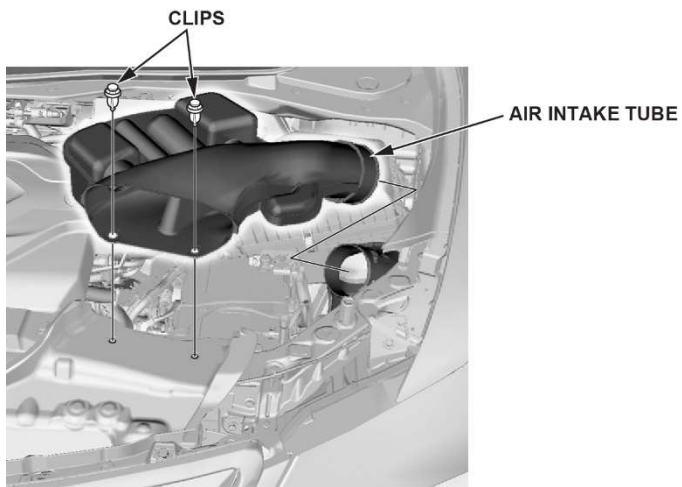
NOTE:

- Do not allow the engine to idle above 1,000 rpm or the PCM will continue to operate the fuel pump.
- A Pending or Confirmed DTC may be set during this procedure. After the repair is complete, check for DTCs, and clear them as needed.

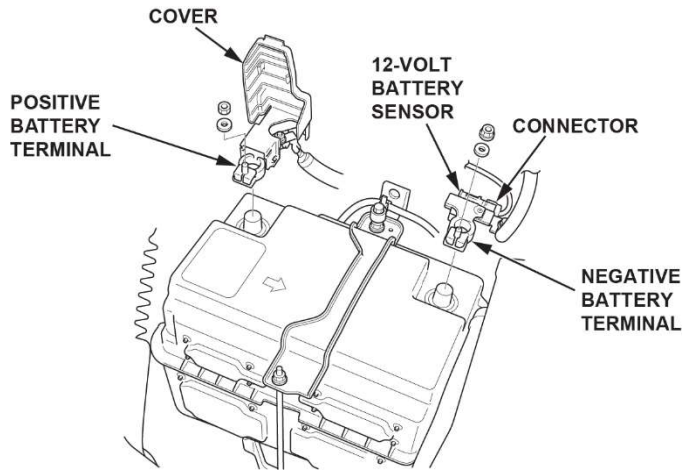
3. Remove the front bulkhead cover.



4. Remove the air intake tube.



5. Open the positive battery terminal cover.



6. Disconnect both 12-volt battery terminals.

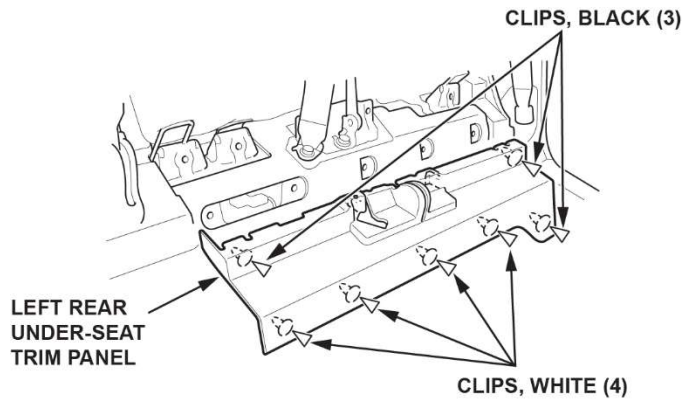
NOTICE

To protect the terminal connector from damage, do not hold it when removing the negative terminal.

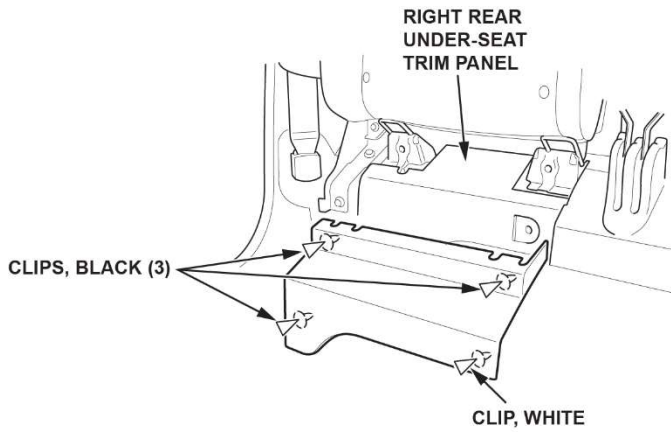
NOTE:

- Always disconnect the negative terminal first.
- Do not disconnect the 12-volt battery sensor from the cable.

7. Remove the left rear under-seat trim panel.

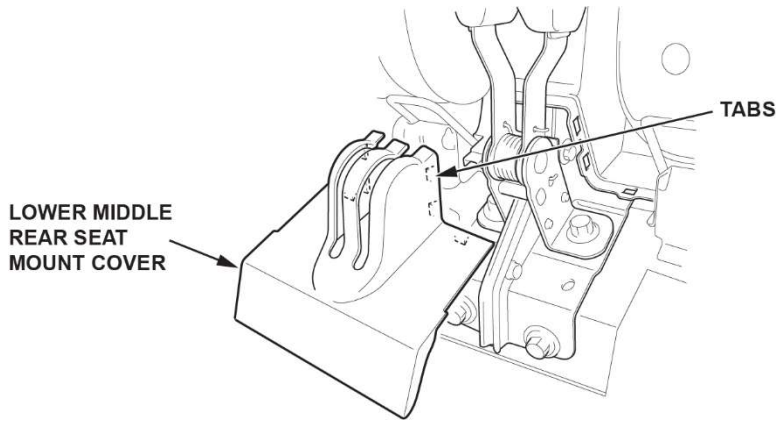


8. Remove the right rear under-seat trim panel.

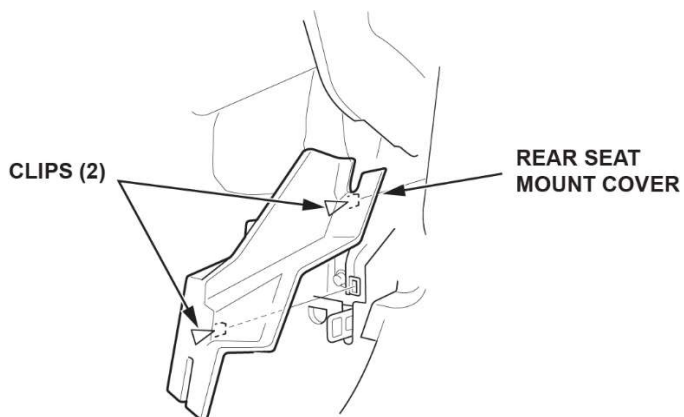


9. Remove the lower middle rear seat mount cover.

NOTE: Use an appropriate trim tool to release the tabs.

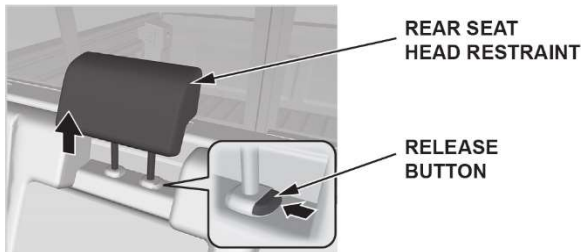


10. Remove both rear seat mount covers.



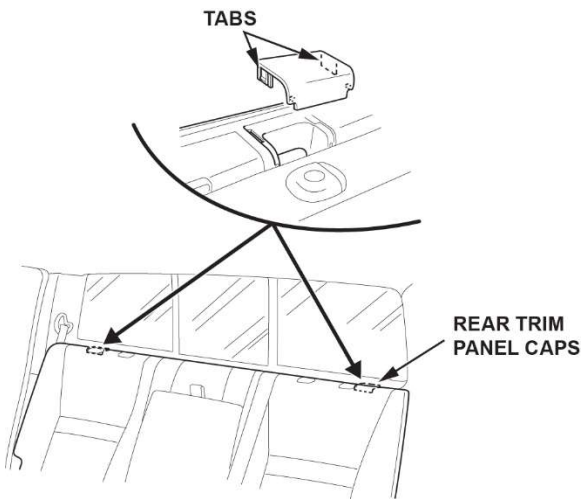
11. Remove both rear seat head restraints.

- Pull up each rear seat head restraint as far as it will go.
- Push the release button, then pull the head restraint up and out.

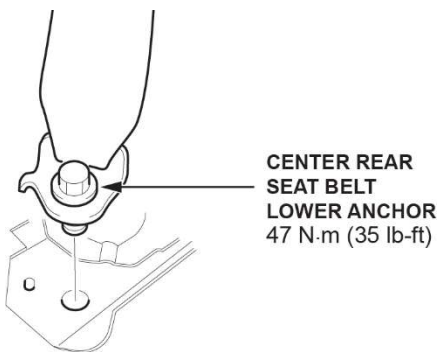


12. Remove both rear trim panel caps.

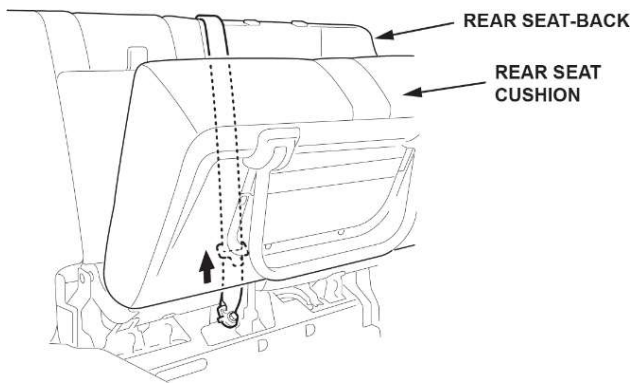
NOTE: Use an appropriate trim tool to release the tabs.



13. Remove the center rear seat belt lower anchor.



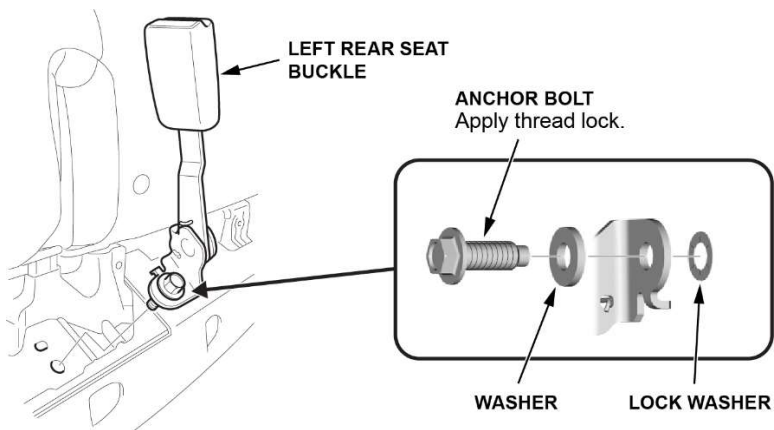
14. Pull out the center rear seat belt through the gap between the rear seat-back and rear seat cushion.



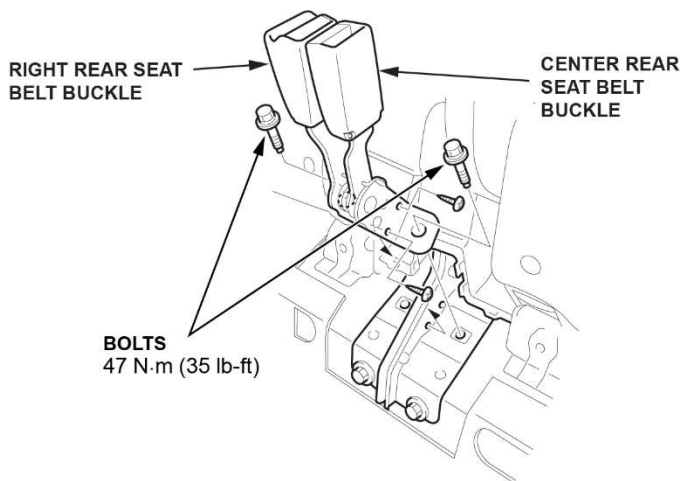
15. Remove the left rear seat belt buckle.

NOTE:

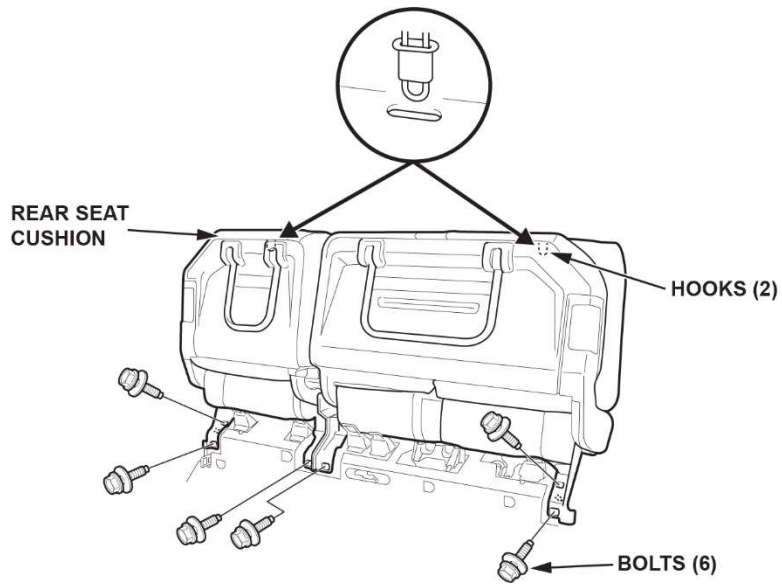
- Apply medium-strength thread lock (commercially available) to the anchor bolt before installation.
- Assemble the washer and the toothed lock washer on the anchor bolt as shown.



16. Remove the right rear and center rear seat belt buckles.

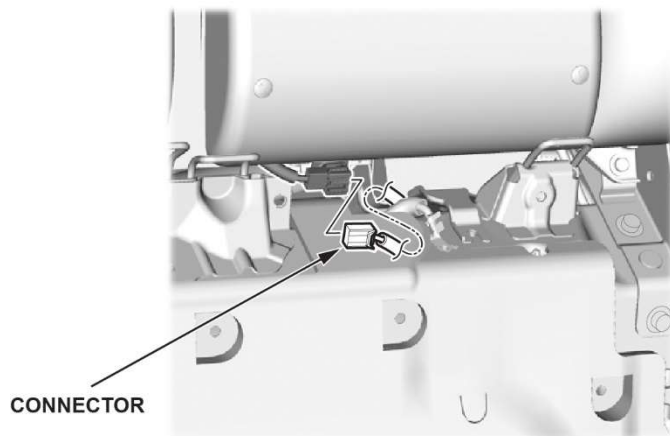


17. Remove the bolts and release the hooks from the body.

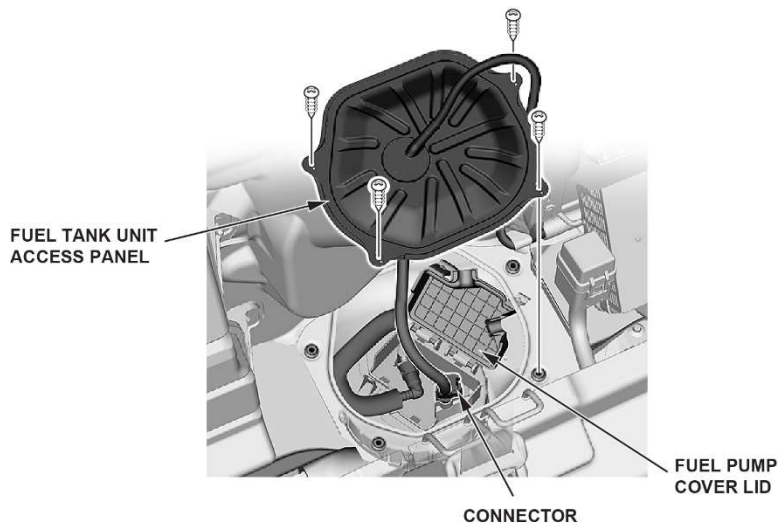


18. With the help of an assistant, remove the rear seat.

With seat heater: Disconnect the connector.

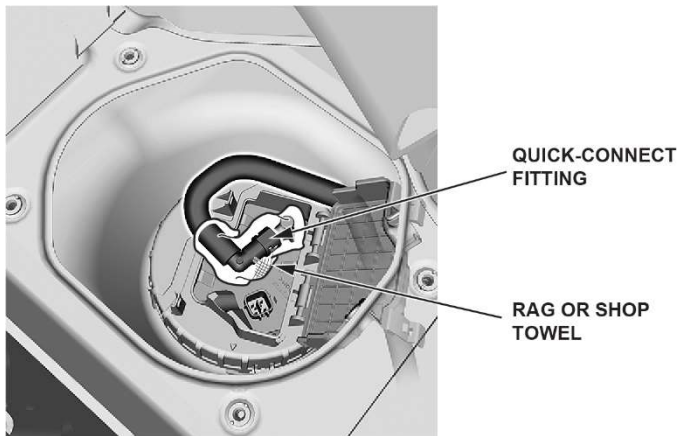


19. Remove the fuel tank unit access panel.



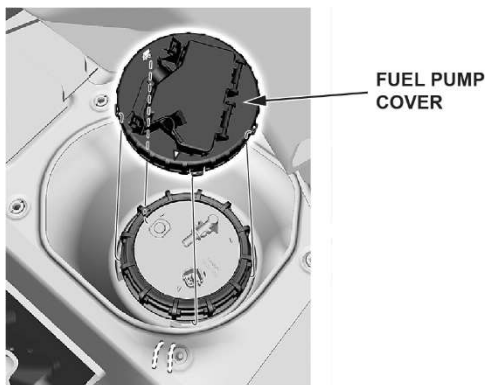
20. Open the fuel pump cover lid and disconnect the connector.

21. Place a rag or shop towel over the quick-connect fitting.



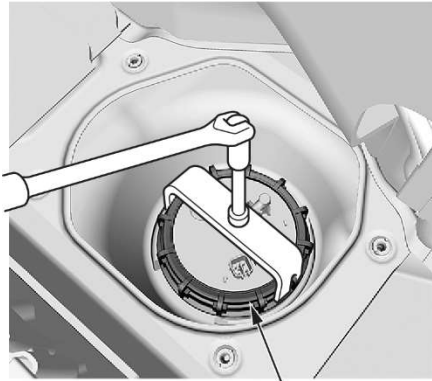
22. Disconnect the quick-connect fitting from the fuel tank unit.

23. Remove the fuel pump cover.



24. Remove the fuel tank unit locknut using the fuel sender wrench (T/N 070AA-T0AA100) as shown.

NOTE: Keep the fuel sender wrench from floating.

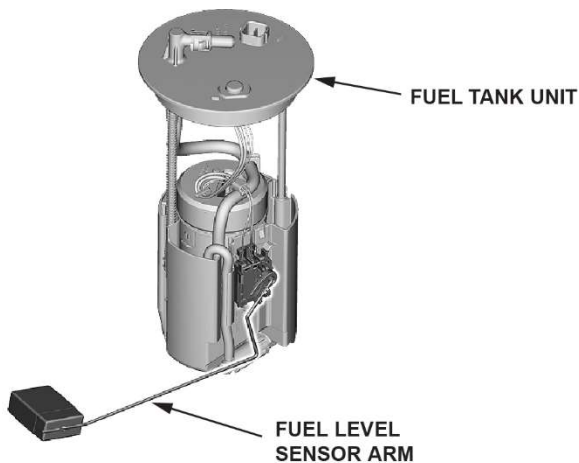


FUEL TANK UNIT
LOCKNUT

25. Remove the fuel tank unit locknut, then remove the fuel tank unit.

NOTICE

Do not to bend or twist the fuel level sensor arm excessively. This may damage the fuel level sensor or cause it to send inaccurate readings.



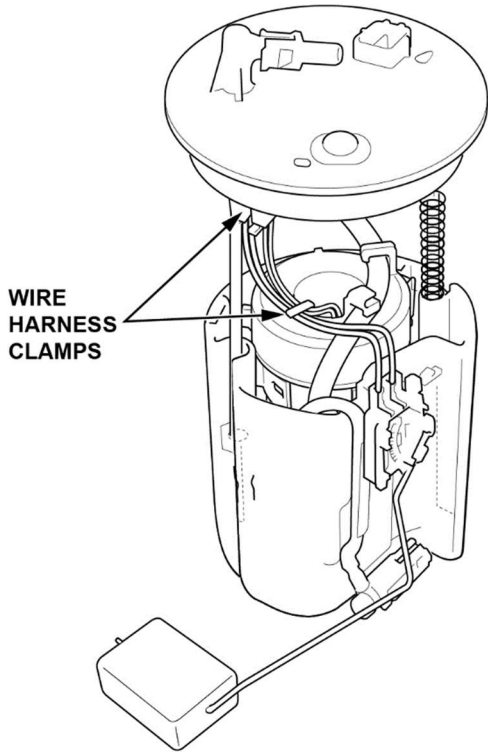
26. Prepare the fuel tank unit and parts to be replaced.

NOTE: Take a photo of the fuel tube and wire harness, and note their routing for assembly. There are various types of routing.

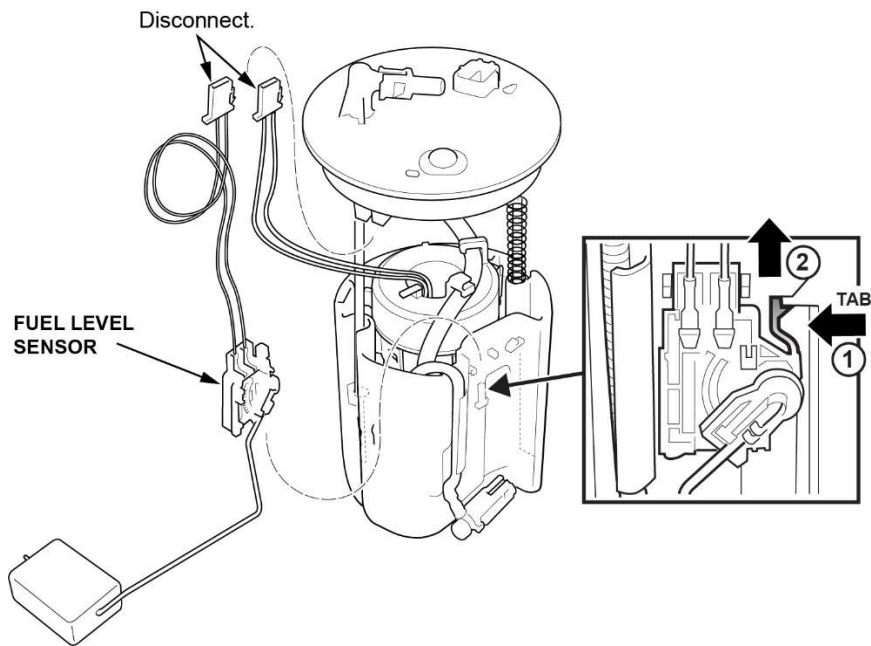
27. Spread the wire harness clamps, and remove the wire harness. Make sure not to damage the wire harness.

NOTICE

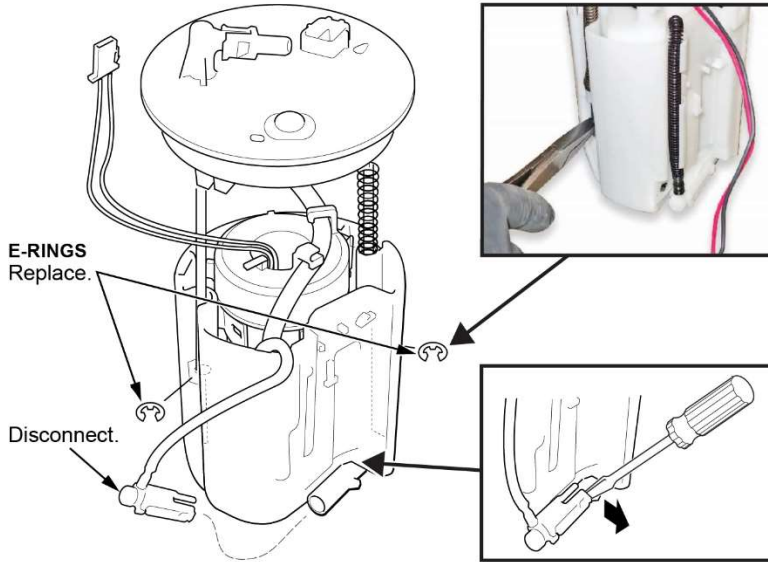
Do not spread the clamps too wide. Spreading them too wide may damage them.



28. Press the tab on the fuel level sensor to release the lock. Then, push up on the fuel level sensor.



29. Remove the E-rings, and discard them.



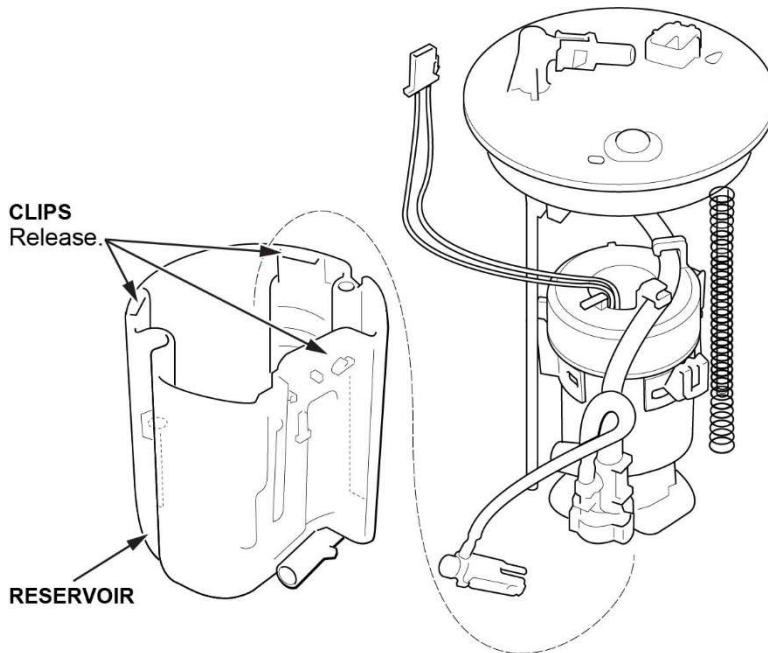
30. Disconnect the joint at the bottom of the reservoir.

31. Remove the fuel filter assembly from the reservoir by releasing the three clips.

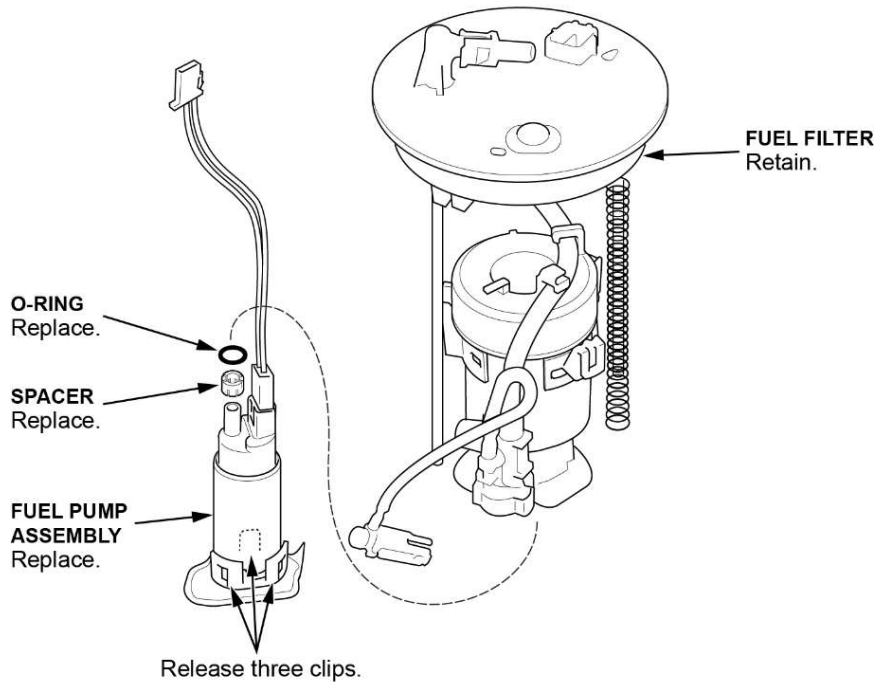
NOTICE

Do not spread the clips too wide. Spreading them too wide may damage them.

NOTE: The spring may slide off the sliding shaft. Retain this spring. It will be used during assembly.



32. Release the three clips at the base of the fuel pump assembly and remove it from the fuel filter.



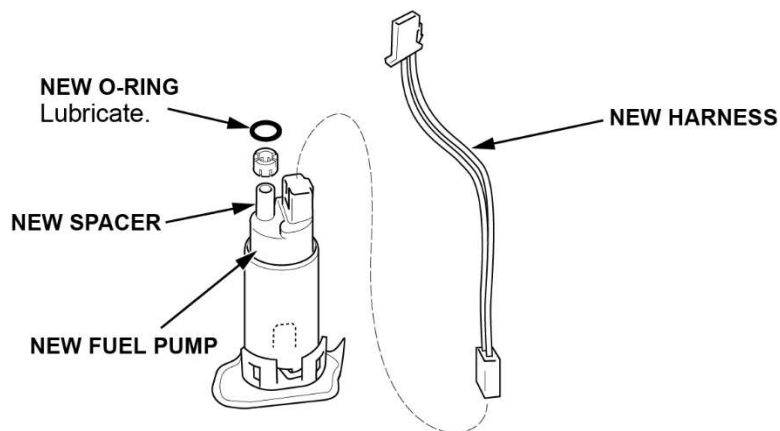
33. Pull the fuel pump assembly out of the fuel filter.

NOTE: If the O-ring remains on the fuel filter, use a flat-tip screwdriver wrapped in protective tape to remove it. Make sure not to damage the O-ring seat section.

34. Install the new spacer, O-ring, and wire harness to the new fuel pump.

NOTE:

- **The O-ring must be installed to the pump as shown, not to the fuel filter side.**
- Coat the O-ring with clean engine oil; do not use any other oil or fluid.
- Do not pinch the O-ring during installation.
- When connecting the wire harness, make sure the connection is secure and the connectors are firmly locked into place.
- Use all of the new parts supplied in the replacement kit.



35. Place the fuel pump on a bench, then install the filter to the fuel pump.

36. Install the fuel filter assembly to the reservoir.

NOTE:

- Coat the O-ring with clean engine oil; do not use any other oil or fluid.
- Do not pinch the O-ring during installation.
- Insert the spring into the sliding shaft, and make sure it is lined up when installing the fuel filter.
- Make sure the fuel tube is routed **exactly** as shown in the photo taken before disassembly.
- Make sure the three clips are fully engaged.

37. Install the new E-rings.

NOTE:

After installation, make sure the E-rings can be rotated with your finger. If they cannot be rotated, the E-rings may not be fully seated or may be incorrectly installed.

38. Install the fuel level sensor to the reservoir. Make sure the lock is engaged and the connection is secure.

NOTICE

Do not to bend or twist the fuel level sensor arm excessively. This may damage the fuel level sensor or cause it to send inaccurate readings.

39. Install the wiring harness to the clamps.

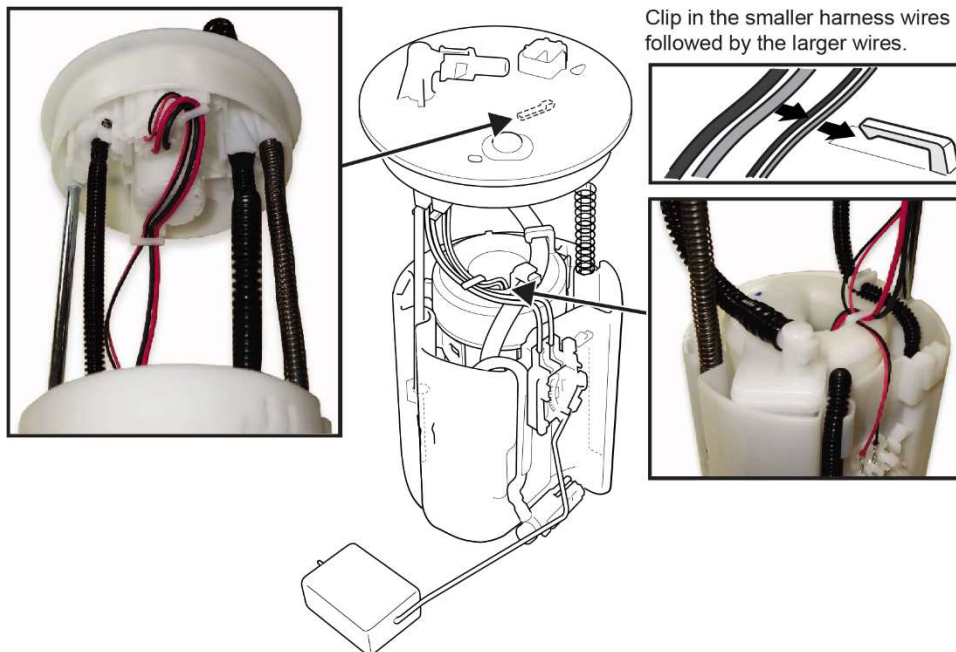
NOTICE

Do not spread the clamps too wide. Spreading them too wide may damage them.

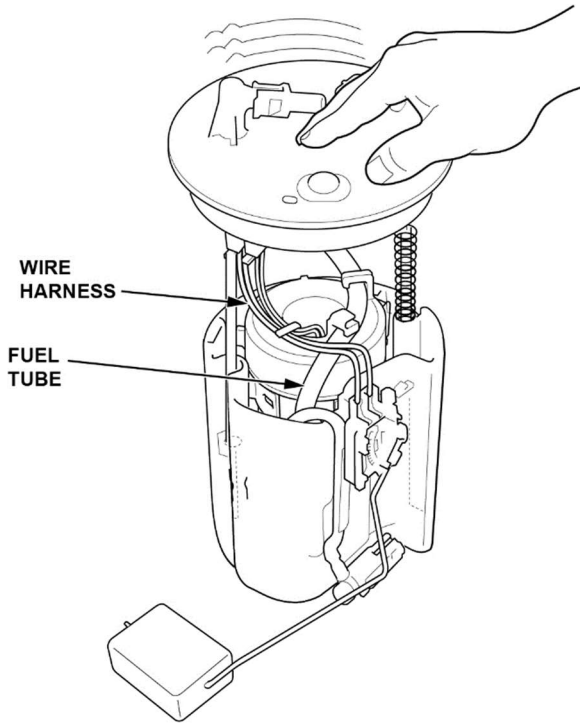
NOTE:

- Clip in the smaller harness wires followed by the larger wires.
- Make sure not to damage the wire harness.
- Make sure to route the wire harness **exactly** as shown in the photo taken before disassembly.

HARNES ROUTING:



40. While compressing the fuel tank unit, make sure the movement is smooth and the fuel tube and wiring harness do not stretch, pinch, or bind.



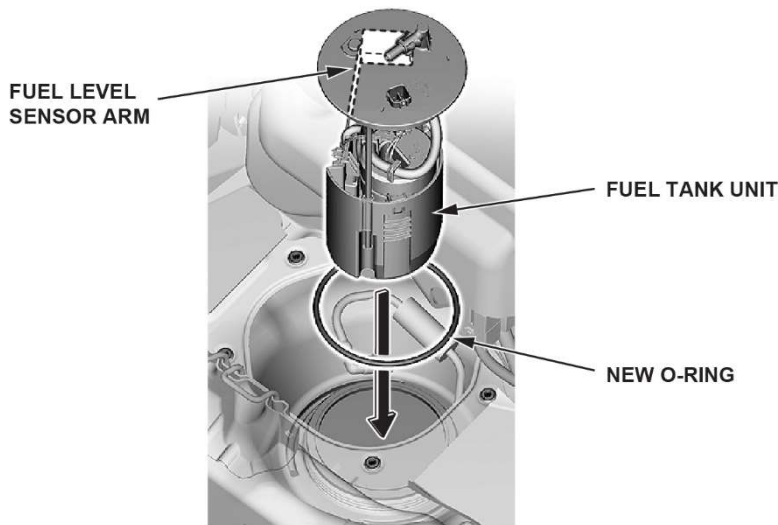
41. Insert the fuel tank unit partially into the fuel tank with a new O-ring.

NOTICE

Do not to bend or twist the fuel level sensor arm excessively. This may damage the fuel level sensor or cause it to send inaccurate readings.

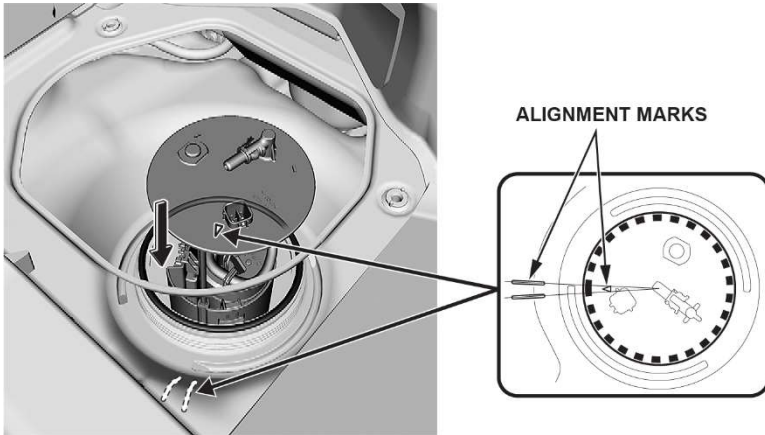
NOTE:

- Be careful not to damage the O-ring.
- Do not coat the O-ring with any oil.

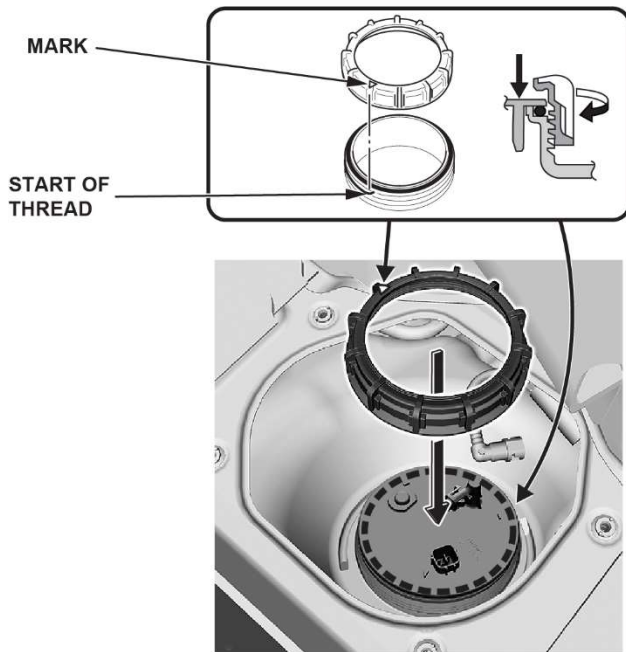


42. Line up the mark on the fuel tank unit to the marks on the fuel tank, then insert the fuel tank unit into the fuel tank.

NOTE: To avoid any leaks, check the O-ring, either visually or by hand, to make sure it is not pinched.



43. Line up the mark on the new locknut to the start of the thread on the fuel tank.

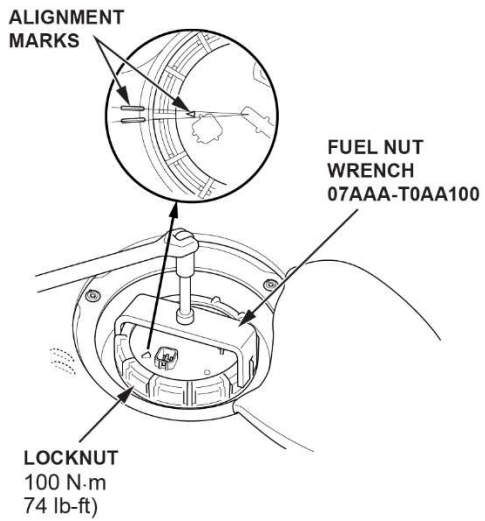


44. Press down on the fuel tank unit while turning the locknut clockwise by hand.

45. Using the fuel nut wrench, tighten the locknut to **100 N·m (74 lb-ft)**.

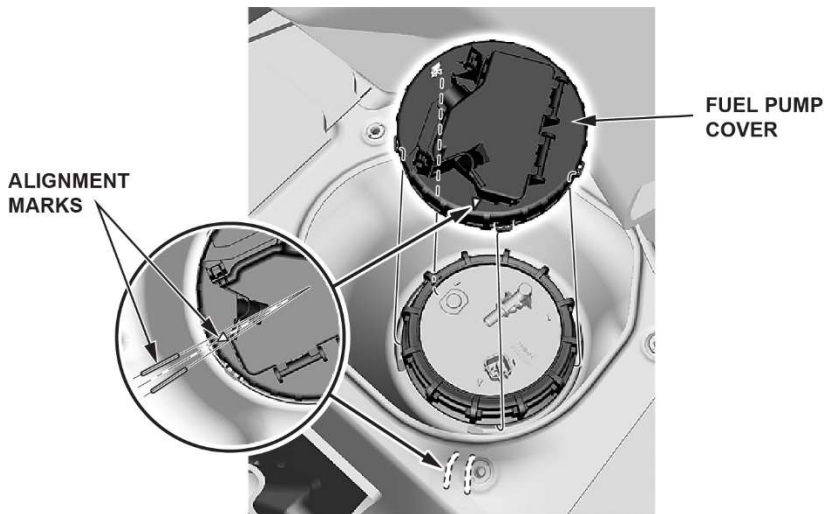
NOTE:

- During installation, check the O-ring, either visually or by hand, to make sure it is not pinched.
- After tightening, make sure the mark on the fuel tank unit is still lined up with the marks on the fuel tank.

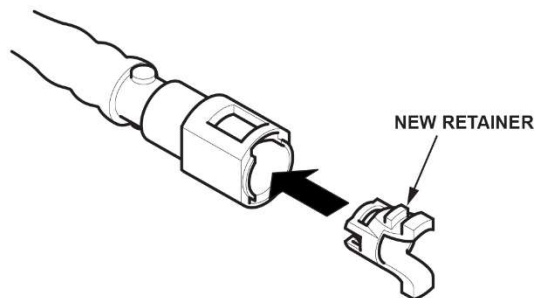


46. Install the fuel pump cover.

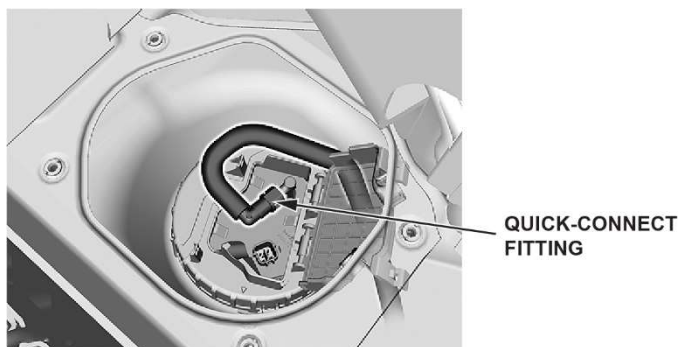
NOTE: Line up the mark on the fuel pump cover with marks on the fuel tank.



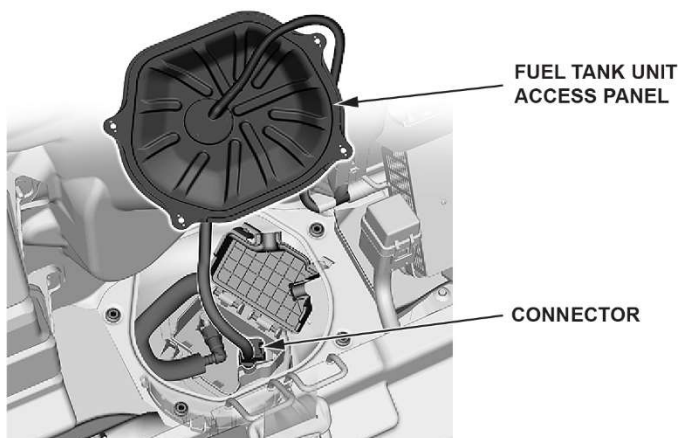
47. Remove the quick-connect fitting retainer from the fuel tank unit, then install a new retainer onto the quick-connect fitting.



48. Connect the fuel line quick-connect fitting.



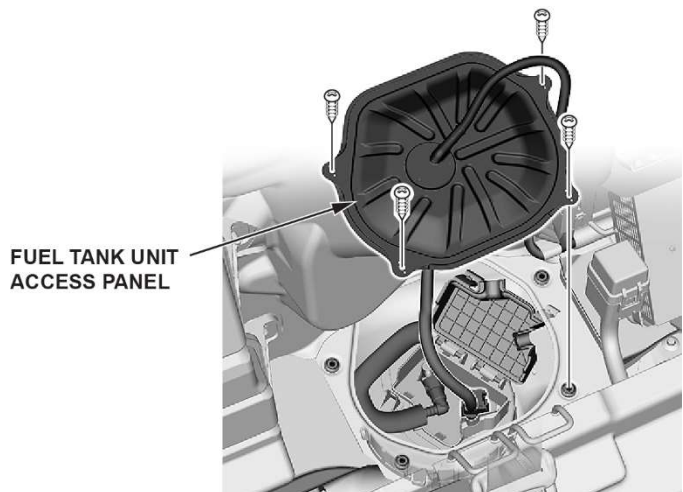
49. Connect the fuel tank unit connector.



50. Connect the 12-volt battery terminals.

51. Turn the ignition to ON, but do not turn the engine on. After the fuel pump runs for about **2 seconds**, the fuel line will be pressurized. Repeat this two or three times, then make sure there is no fuel leakage.

52. Install the fuel tank unit access panel.



53. Install the remaining parts in the reverse order of removal.

54. Clear all DTCs using an i-HDS.

55. *California residents only*: Fill out a Vehicle Emissions Recall – Proof of Correction certificate, and use **FAL** as the recall number. Have the service advisor give the certificate to your customer, and advise him or her to keep it as proof that the recall was completed. Your customer will need to submit this certificate to the DMV only if the DMV requests it. If you need more certificates, use reorder number **Y0657**.

Vehicle Emission Recall - Proof of Correction				
License Number	Make	Year Model	Body Type	Vehicle Identification Number
				<input type="text"/>
Manufacturer _____			Recall Number FAL	
The above described vehicle has been repaired, modified and/or equipped with emission control devices to meet applicable California Emission Control Laws.				
Dealer's Name		Address, City, State and Zip		
Date		Dealership's Authorized Signature		
		X		
Return this certificate to DMV only when required - otherwise retain for your records.				

Y0657 ACL 24832 (0212)

END