

April 16, 2021

Version 1

## Safety Recall: 2019 ILX Fuel Pump Motor

### AFFECTED VEHICLES

Year	Model	Trim Level	VIN Range
2019	ILX	ALL	Check the iN VIN status for eligibility.

### BACKGROUND

Due to swelling of the fuel pump motor impeller, the fuel pump may seize and stop working. If this occurs, the check engine light may be displayed with DTC P0087 (Fuel Rail Pressure Too Low) stored, the engine may not start, or the engine could stall while driving, increasing the risk of a crash.

### CLIENT NOTIFICATION

Owners of affected vehicles will be sent a notification of this campaign.

Do an iN VIN status inquiry to make sure the vehicle is shown as eligible.

Some vehicles affected by this campaign may be in your new or used vehicle inventory.

Failure to repair a vehicle subject to a recall or campaign may subject your dealership to claims or lawsuits from the client or anyone else harmed as a result of such failure. To see if a vehicle in inventory is affected by this safety recall, do a VIN status inquiry before selling it.

### CORRECTIVE ACTION

Replace the fuel pump motor.

NOTE: If the vehicle has any of the symptoms listed in BACKGROUND, you must apply this bulletin before attempting any other repairs. If the symptoms remain after the recall repair is complete, only attempt further repairs (such as replacing the high pressure fuel pump) after authorized troubleshooting.

### PARTS INFORMATION

NOTE: Due to limited supply, this will be a controlled part and will require a valid VIN when ordering.

Part Name	Part Number	Quantity
Fuel Pump Motor Kit	06170-TV9-305	1

**For dealers experiencing a strong fuel smell from storing a fuel pump motor replaced under this service bulletin,** the fuel pump motor may be disposed of immediately in accordance with local regulations. This only applies to the fuel pump motor replaced under this service bulletin. The published retention policy remains in effect for all other parts.

If you have any questions about this exception or other parts retention issues, contact the WPI Administrative Office at **937-642-2737**.

**CLIENT INFORMATION:** The information in this bulletin is intended for use only by skilled technicians who have the proper tools, equipment, and training to correctly and safely maintain your vehicle. These procedures should not be attempted by "do-it-yourselfers," and you should not assume this bulletin applies to your vehicle, or that your vehicle has the condition described. To determine whether this information applies, contact an authorized Acura automobile dealer.

## TOOL INFORMATION

Tool Name	Tool Number	Quantity
Fuel Pump Module Locknut Wrench	07AAA-SNA0100	1

## WARRANTY CLAIM INFORMATION

Operation Number	Description	Flat Rate Time	Defect Code	Symptom Code	Template ID	Failed Part Number
3101HK	Replace the fuel pump motor.	1.2 hr	6FE00	FA400	B21012A	17045-TV9-A00

Skill Level: Repair Technician

## REPAIR PROCEDURE

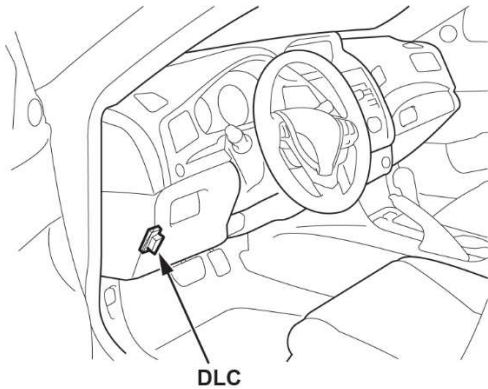
### ⚠ WARNING

Fuel pump motor removal exposes fuel, which can ignite, causing a fire or explosion. This can cause serious injury or death. Always work in a well-ventilated area, and keep sparks or open flames away.

1. Remove the fuel fill cap to relieve the pressure in the fuel tank.
2. Relieve the fuel pressure.

*With an i-HDS:*

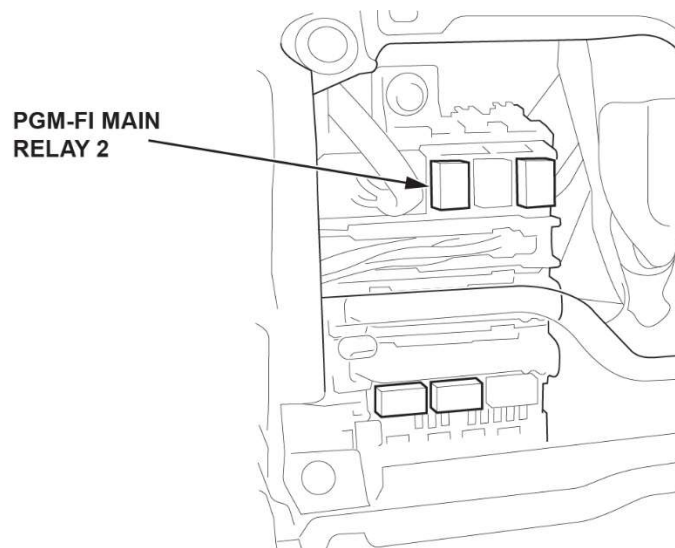
- Connect an i-HDS to the DLC under the driver's side of the dashboard.



- Turn the vehicle to ON.
- Select the **PGM-FI** system on the i-HDS.
- Select **FUEL PUMP OFF** from the **Function Test** menu.
- Start the engine, and let it idle until it stalls.
- Turn the ignition to OFF.

*Without an i-HDS:*

- Remove the PGM-FI main relay 2 from the under-dash fuse/relay box.



- Start the engine, and let it idle until it stalls.
- Turn the ignition to OFF.
- Install the PGM-FI main relay 2.

**NOTE:**

- Do not allow the engine to idle above 1,000 rpm or the PCM will continue to operate the fuel pump.
- A pending or confirmed DTC may be set during this procedure. After the repair is complete, check for DTCs, and clear them as needed.

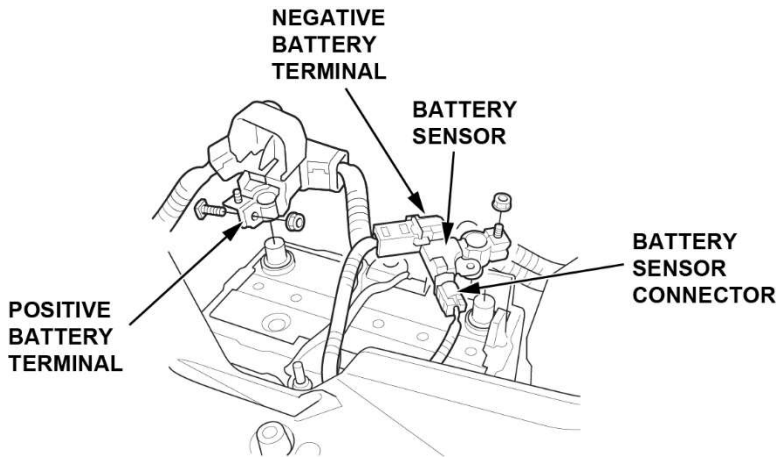
3. Disconnect both 12-volt battery terminals.

**NOTICE**

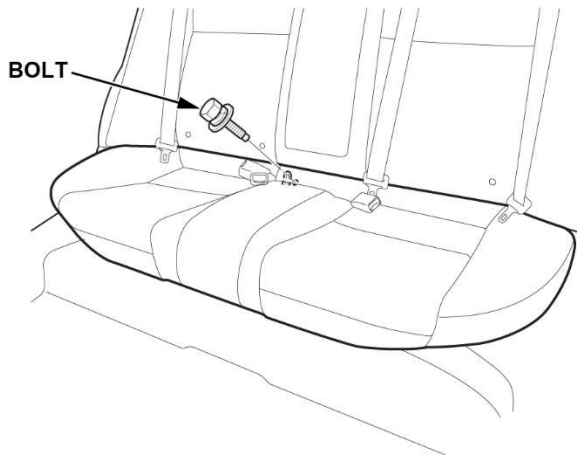
To protect the terminal connector from damage, do not hold it when removing the negative terminal.

**NOTE:**

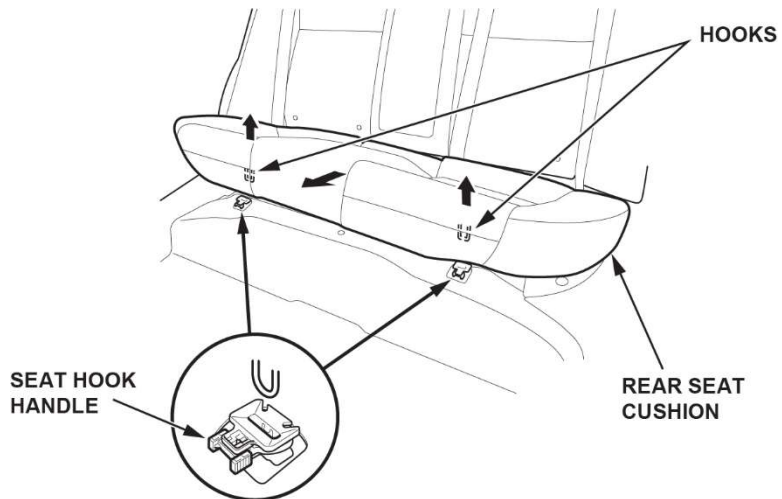
- Always disconnect the negative terminal first.
- Do not disconnect the 12-volt battery sensor from the cable.



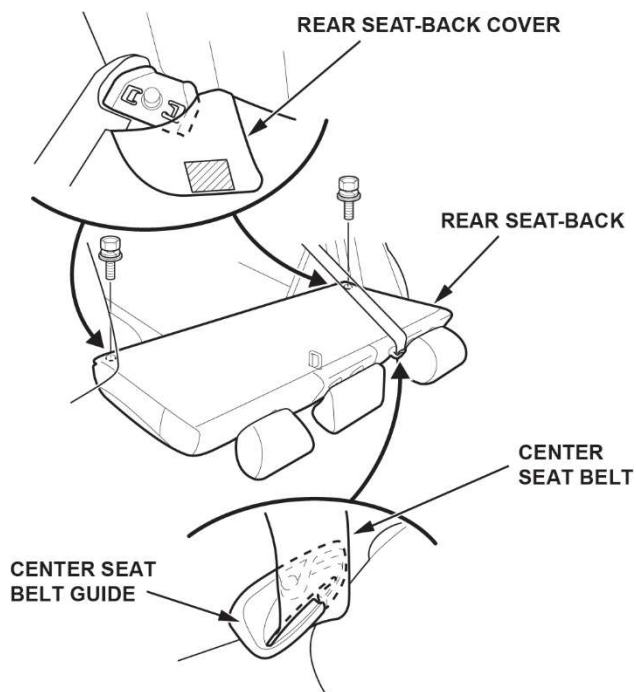
4. Remove the rear seat cushion bolt.



5. While pushing down on the rear seat cushion, pull the seat hook handles to release the hooks.

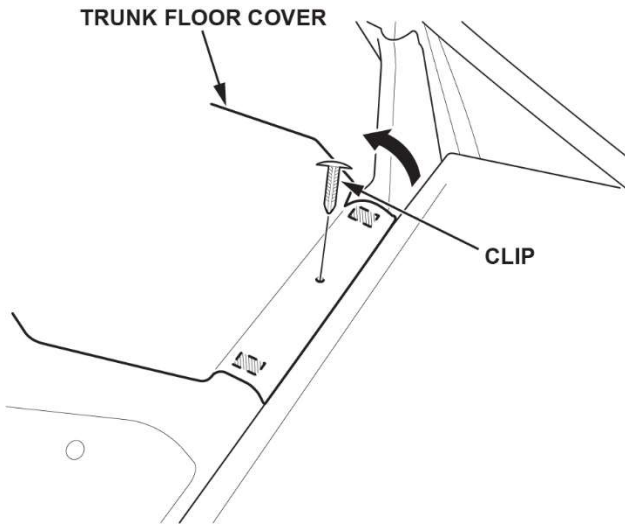


6. Remove the rear seat cushion.
7. Fold down the rear seat-back, turn over the bottom of rear-seat back cover and remove the bolts.

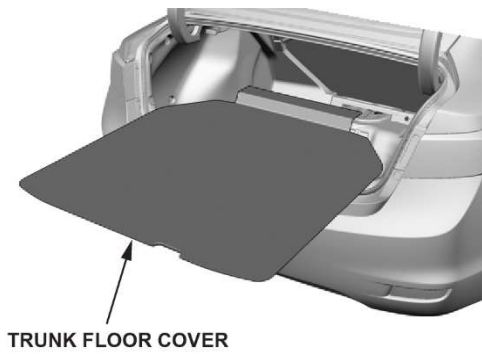


8. Pull out the center seat belt through the center seat belt guide, and remove the rear seat-back.

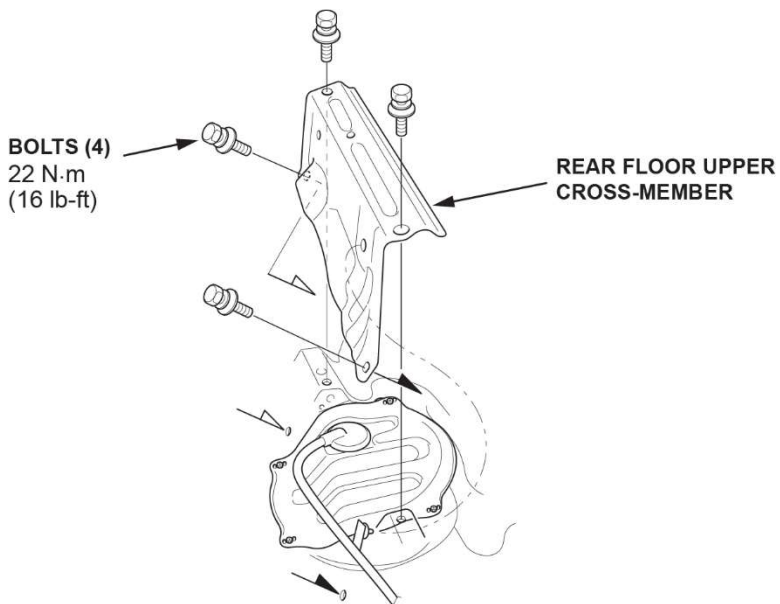
9. Remove the clip from the front area of the trunk floor cover.



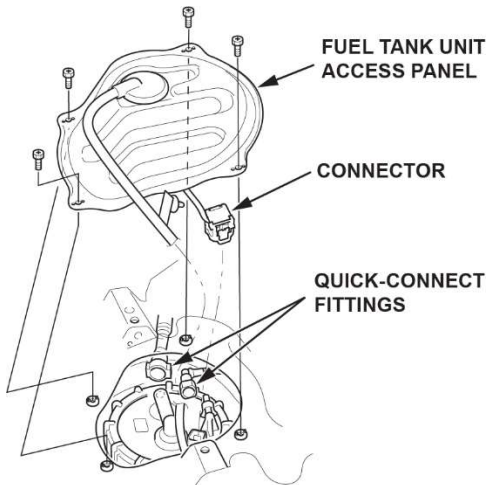
10. Open the trunklid, then remove the trunk floor cover.



11. Remove the rear floor upper cross-member.



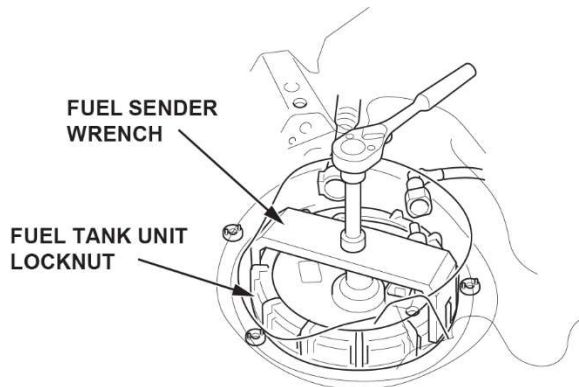
12. Remove the fuel tank unit access panel and disconnect the connector.



13. Place a rag or shop towel over the quick-connect fittings, and disconnect them.

14. Remove the fuel tank unit locknut using the fuel sender wrench (T/N 07AAA-SNA0100) as shown.

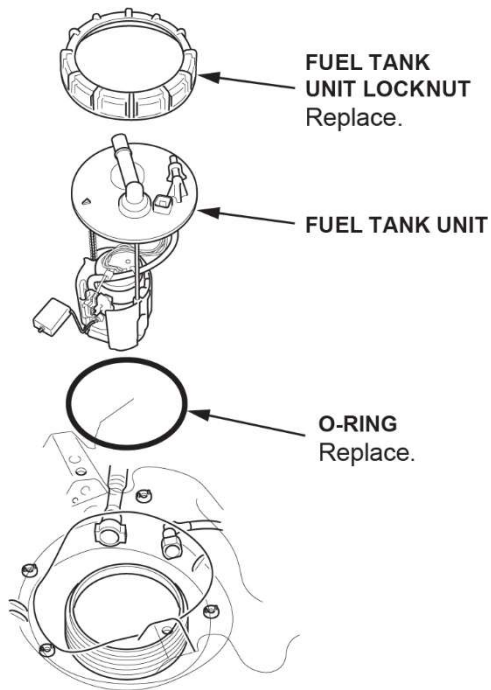
NOTE: Keep the fuel sender wrench from floating.



15. Remove the fuel tank unit.

**NOTICE**

Do not to bend or twist the fuel level sensor arm excessively. This may damage the fuel level sensor or cause it to send inaccurate readings.



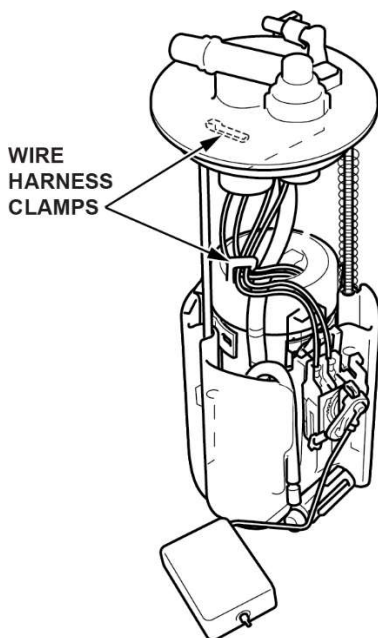
16. Prepare the fuel pump and parts to be replaced.

**NOTE:** Take a photo of the fuel tube and wire harness, and note their routing for assembly. There are various types of routing.

17. Spread the wire harness clamps, and remove the wire harness. Make sure not to damage the wire harness.

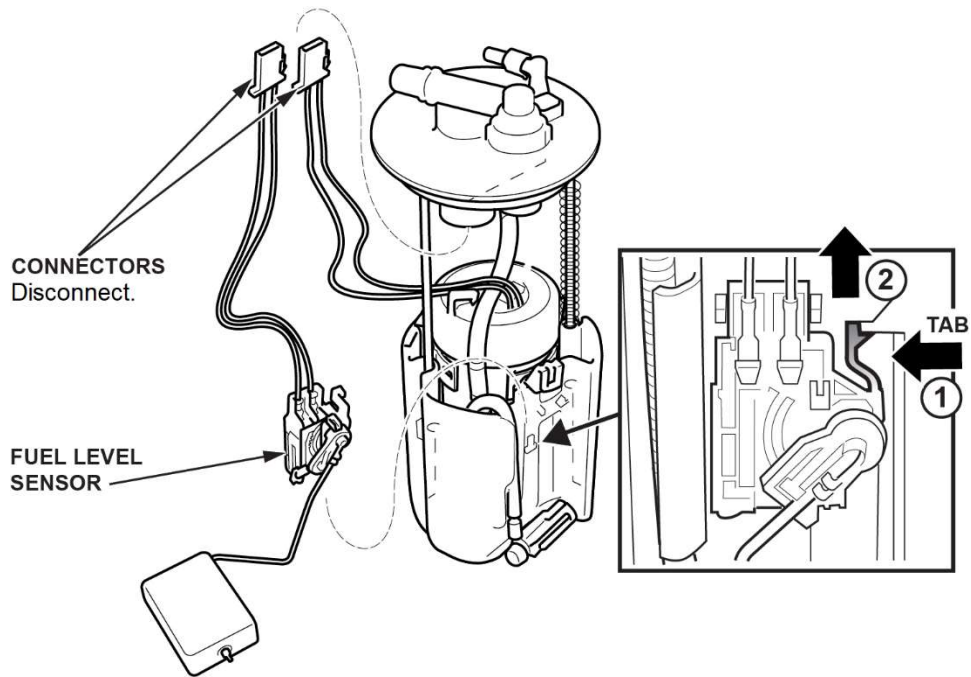
**NOTICE**

Do not spread the clamps too wide. Spreading them too wide may damage them.



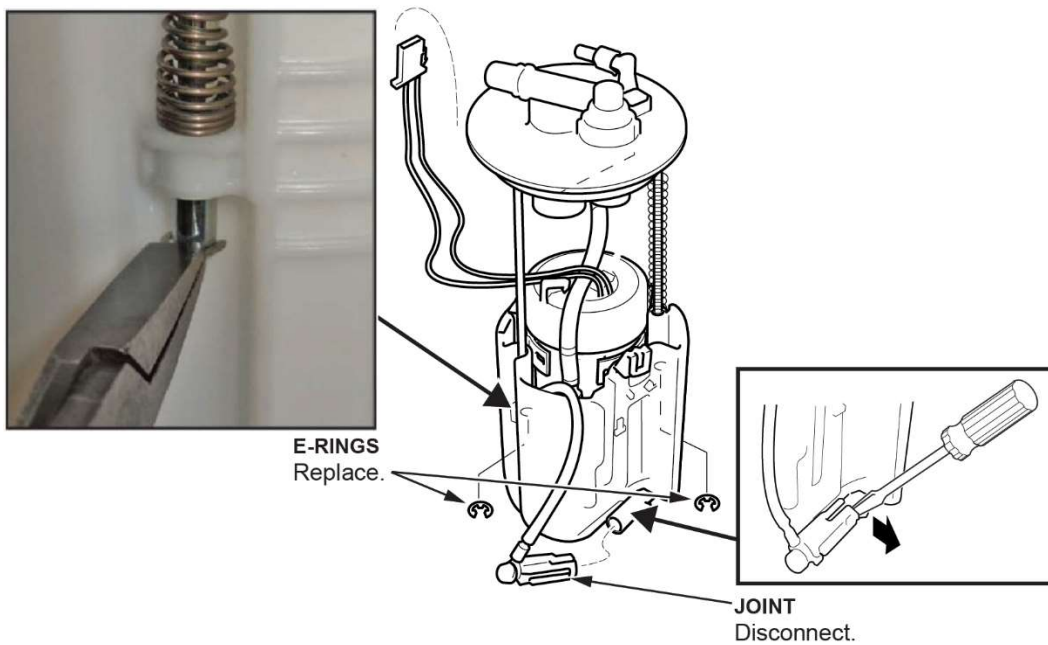


18. Press the tab on the fuel level sensor to release the lock. Then, push up on the fuel level sensor.



19. Disconnect the fuel level sensor harness and remove the fuel level sensor from the fuel tank unit.

20. Remove the E-rings, and discard them.



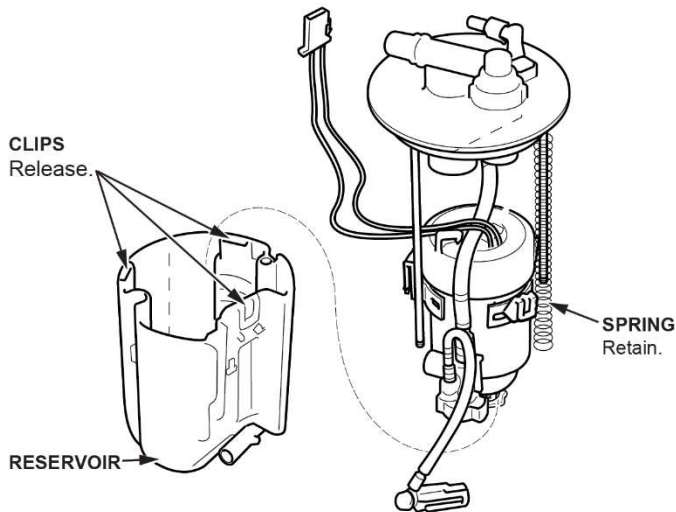
21. Disconnect the joint at the bottom of the reservoir.

22. Remove the fuel filter assembly from the reservoir by releasing the three clips.

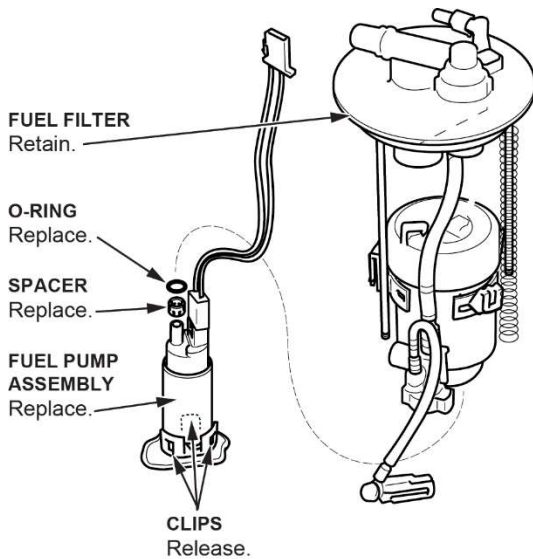
**NOTICE**

Do not spread the clips too wide. Spreading them too wide may damage them.

NOTE: The spring may slide off the sliding shaft. Retain this spring. It will be used during assembly.



23. Release the three clips at the base of the fuel pump assembly and remove it from the fuel filter.



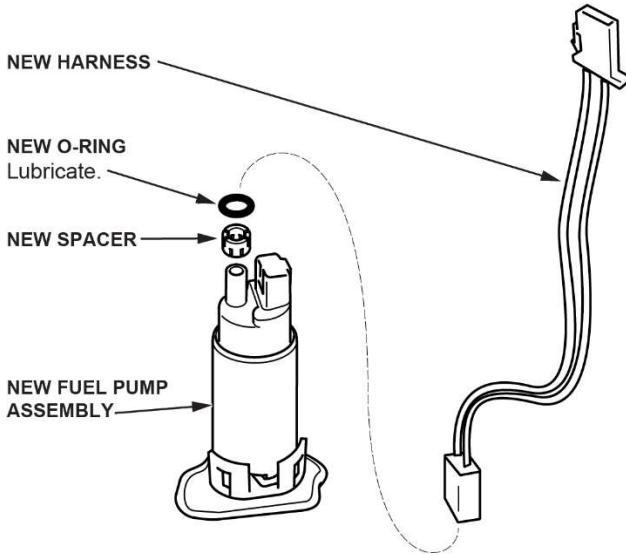
24. Pull the fuel pump assembly out of the fuel filter.

NOTE: If the O-ring remains on the fuel filter, use a flat-tip screwdriver wrapped in protective tape to remove it. Make sure not to damage the O-ring seat section.

25. Install the new spacer, O-ring, and wire harness to the new fuel pump.

NOTE:

- **The O-ring must be installed on the pump as shown, not on the fuel filter side.**
- Coat the O-ring with clean engine oil; do not use any other oil or fluid.
- Do not pinch the O-ring during installation.
- When connecting the wire harness, make sure the connection is secure and the connectors are firmly locked into place.
- Use all of the new parts supplied in each replacement kit.

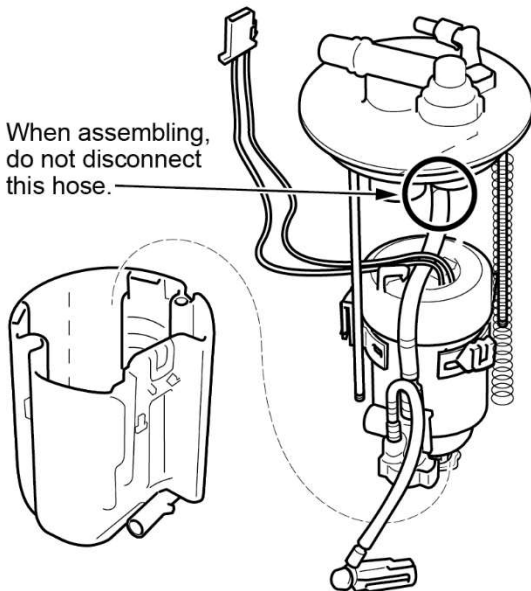


26. Place the fuel pump on a bench, then install the filter to the fuel pump.

27. Install the fuel filter assembly to the reservoir.

NOTE:

- Coat the O-ring with clean engine oil; do not use any other oil or fluid.
- Do not pinch the O-ring during installation.
- Insert the spring into the sliding shaft, and make sure it is lined up when installing the fuel filter.
- Make sure the fuel tube is routed **exactly** as shown in the photo taken before disassembly.
- Make sure the three clips are fully engaged.



28. Install the new E-rings.

NOTE: After installation, make sure the E-rings can be rotated with your finger. If they cannot be rotated, the E-rings may not be fully seated or may be incorrectly installed.

29. Install the fuel level sensor to the reservoir. Make sure the lock is engaged and the connection is secure.

NOTICE

Do not to bend or twist the fuel level sensor arm excessively. This may damage the fuel level sensor or cause it to send inaccurate readings.

30. Install the wiring harness to the clamps.

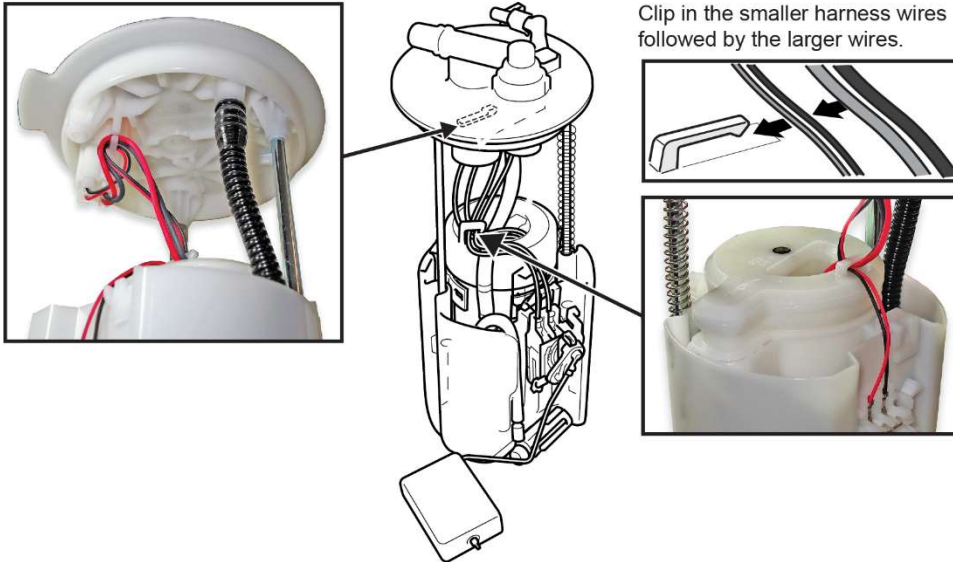
NOTICE

Do not spread the clamps too wide. Spreading them too wide may damage them.

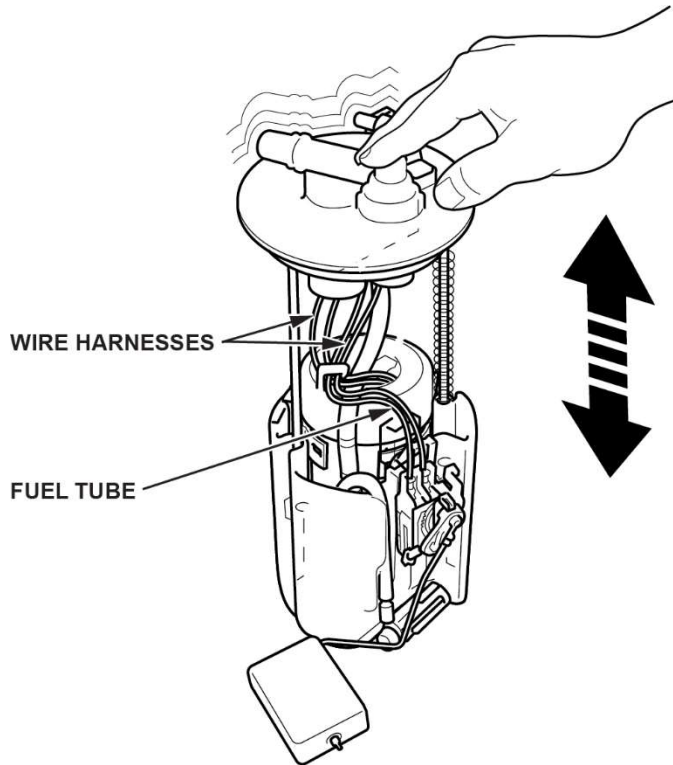
NOTE:

- Clip in the smaller harness wires followed by the larger wires.
- Make sure not to damage the wire harness.
- Make sure to route the wire harness **exactly** as shown in the photo taken before disassembly.

**HARNES ROUTING:**



31. While compressing the fuel tank unit, make sure the movement is smooth and the fuel tube and wiring harness do not stretch, pinch, or bind.



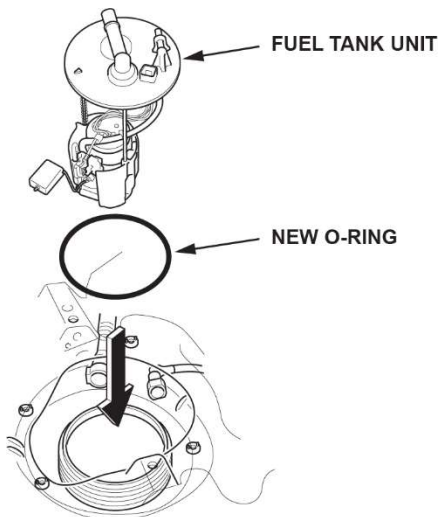
32. Install the new O-ring to the fuel tank, then partially install the new fuel tank unit.

**NOTICE**

Do not to bend or twist the fuel level sensor arm excessively. This may damage the fuel level sensor or cause it to send inaccurate readings.

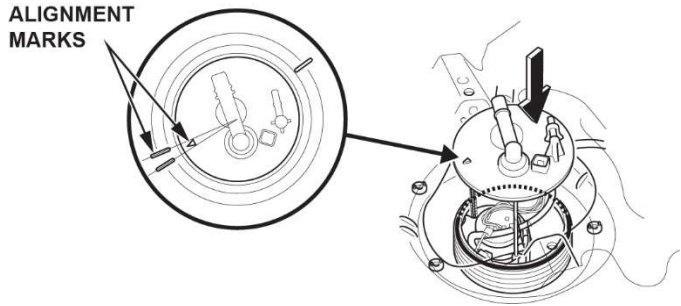
**NOTE:**

- Be careful not to damage the O-ring.
- Do not coat the O-ring with any oil.

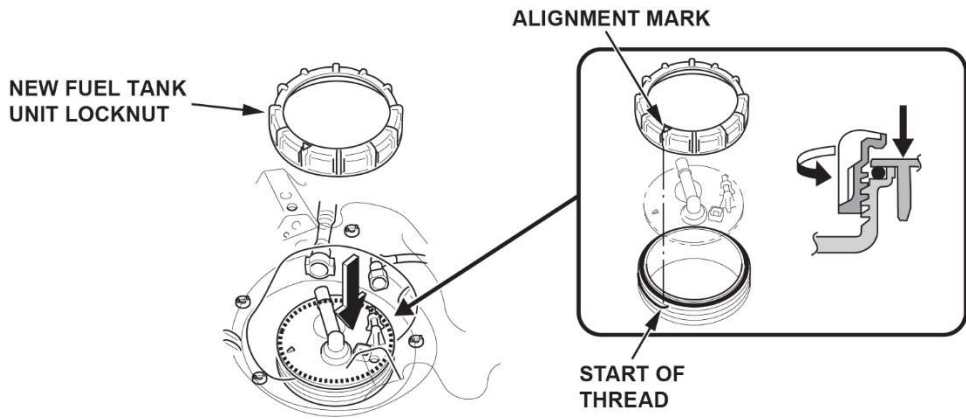


33. Line up the mark on the fuel tank unit to the marks on the fuel tank, then insert the fuel tank unit into the fuel tank.

NOTE: To avoid any leaks, check the O-ring, either visually or by hand, to make sure it is not pinched.



34. Line up the mark on the new locknut to the start of the thread on the fuel tank.

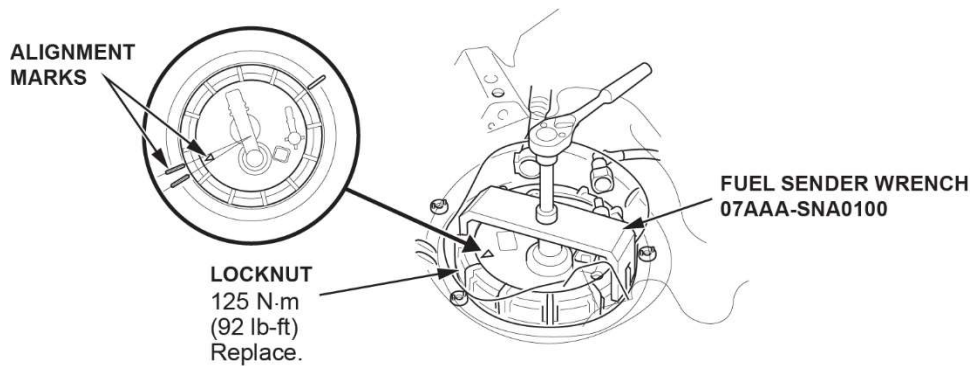


35. Press down on the fuel tank unit while turning the locknut clockwise by hand.

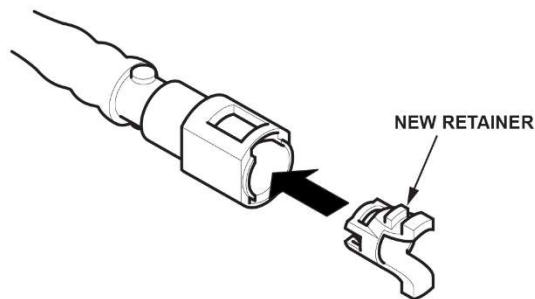
36. Using the fuel nut wrench, tighten the locknut to **125 N·m (92 lb-ft)**.

NOTE:

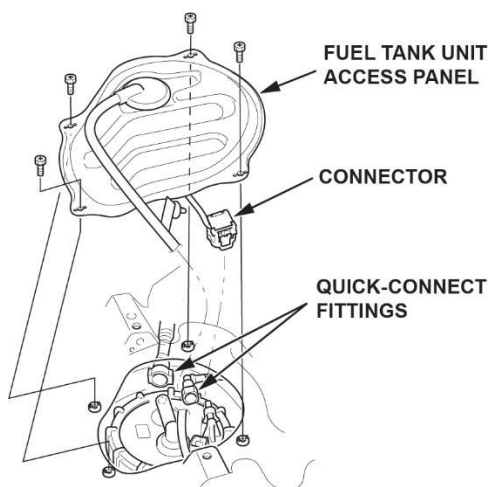
- During installation, check the O-ring, either visually or by hand, to make sure it is not pinched.
- After tightening, make sure the mark on the fuel tank unit is still lined up with the marks on the fuel tank.



37. Remove the quick-connect fitting retainer from the fuel tank unit, then install a new retainer onto the quick-connect fitting.



38. Connect the fuel line quick-connect fitting.



39. Connect the fuel tank unit connector.

40. Connect the 12-volt battery terminals.

41. Turn the ignition to ON, but do not turn the engine on. After the fuel pump runs for about **2 seconds**, the fuel line will be pressurized. Repeat this two or three times, then make sure there is no fuel leakage.

42. Install the fuel tank unit access panel.

