



# **SAFETY RECALL BULLETIN**

## **NHTSA RECALL 21V095**

### **AUTOCAR, LLC SAFETY RECALL ACX-2103**

June, 2021

#### **ATTENTION:**

Service Managers / Parts Managers.

#### **SUBJECT:**

Autocar has determined that the turbocharger heat shield may fail on certain Xpeditor vehicles.

#### **SAFETY RECALL INFORMATION:**

This document provides instructions to replace the turbocharger heat shield.

#### **VEHICLES AFFECTED:**

There are 577 units manufactured after June 20, 2017. To determine if a vehicle is affected by this Recall, log in to the Autocar Warranty Management System at [www.autocartruck.com](http://www.autocartruck.com). From the main menu, select "View Recalls/Service Programs" and look for the Autocar recall number above. A spreadsheet file will be accessible with the VIN list of affected vehicles. Alternatively, to determine if a single vehicle is affected, select "VIN Profile" from the main menu in the Autocar Warranty Management System. In the "Chassis Number" field, enter the last 6 of the VIN. Once the VIN profile is displayed, scroll down to the "Recall/Service Program Information" section to determine if the Recall is open.

#### **SERVICE RESPONSIBILITY:**

Service sites must perform this recall on affected vehicles at no charge to the owner regardless of vehicle mileage, age, or ownership. If a vehicle affected by this recall is taken into or is currently in your vehicle inventory, or at your center for service, you must perform this Recall before the vehicle is sold or released to the owner.



# SAFETY RECALL BULLETIN

## NHTSA RECALL 21V095

**AUTOCAR, LLC SAFETY RECALL ACX-2103**

June, 2021

### TO OBTAIN PARTS:

Please send an e-mail to: [warranty@autocartruck.com](mailto:warranty@autocartruck.com) and Include:

1. VIN(s) (or) (last 6 digits of the VIN(s))
2. Attention To Name
3. Ship To Address

### REQUIRED PARTS:

(1) S5300018K001 – Turbocharger Heat Shield Service Kit

(1) A5301039-001 – Turbocharger Heat Shield

(3) FM411308AW07 – Flange Bolt

Medium strength thread lock, obtained locally.

### CLAIMS FOR REIMBURSEMENT:

Submit a claim for reimbursement in accordance with Autocar’s Warranty Administration Manual with the following claim coding information:

### CLAIM CODING INFORMATION:

| Repair Number<br>(Op Code) | Time Allowance<br>(SRT) | Description                         |
|----------------------------|-------------------------|-------------------------------------|
| 25501-0-02                 | 1.0 HR                  | Turbocharger<br>Heat Shield Install |

# SAFETY RECALL BULLETIN

## NHTSA RECALL 21V095

AUTOCAR, LLC SAFETY RECALL ACX-2103



June, 2021

### SAFETY NOTICES:



### WARNING

Allow the vehicle's engine and cooling system to cool to ambient temperature before performing the repair procedure. A hot engine or cooling assembly may cause burns or other personal injury.



### WARNING

Never rely on the hydraulic pressure to hold the cab in an open position. Always use the safety pin in the cab tilt lock tube to prevent serious personal injury or death.



### WARNING

To prevent eye injury, always wear eye protection when performing vehicle maintenance, service or inspection.



### WARNING

Before working on a vehicle, set the parking brake, place the transmission in neutral and block the wheels. Failure to do so can result in unexpected vehicle movement and can cause serious personal injury or death.

# SAFETY RECALL BULLETIN

## NHTSA RECALL 21V095

AUTOCAR, LLC SAFETY RECALL ACX-2103



June, 2021

### LOCKOUT/TAGOUT PROCEDURES:



## CAUTION

Before entering the vehicle or vehicle body, read and follow OSHA regulations concerning entry and working in “CONFINED SPACE” OSHA 1910.146 and “LOCKOUT/TAGOUT” OSHA 1910.147. Follow OSHA regulations while performing any work on the vehicle. The vehicle must be disabled by the following steps before performing any work on the vehicle:

1. Place the transmission in NEUTRAL.
2. Set the parking brake.
3. Shut the engine OFF.
4. Lock cab doors, keep the key in your pocket. Block the wheels before entering the body or performing any work on the vehicle.
5. Turn the battery disconnect switch OFF, if equipped.
6. Completely drain the air from the primary/A system and secondary/B system by opening the drain valves on the air tanks themselves or by using the drain manifold if supplied. When draining the air tanks, do not look into the area where air is draining. Dirt or sludge particles may be expelled in the air stream and can cause eye injury.
7. Place magnetic “DANGER” signs on both cab doors before entering the body or performing any work on the vehicle.
8. Take proper precautions before working under the vehicle. Use ramps approved for the weight of your vehicle, or use floor jacks and stands. Never work under a vehicle supported by jacks alone. Always use jack stands to support the vehicle.

# SAFETY RECALL BULLETIN

## NHTSA RECALL 21V095

AUTOCAR, LLC SAFETY RECALL ACX-2103



June, 2021

### Installation of new Turbo Heat Shield

1. Follow all lockout/tagout procedures and verify the battery disconnect switch is in the "OFF" position. If the unit is not equipped with a battery disconnect switch, disconnect the battery cables beginning with the negative cables, follow by the positive cables.
2. Raise the cab in accordance with the following safety precautions and procedures.



**WARNING**

Due to the danger of sustaining personal injury and/or damage to the vehicle, never attempt to raise the cab outdoors under extremely windy conditions. The strong wind conditions could force the cab beyond the normal limits of its travel.



**WARNING**

Remove or secure all loose articles and close all doors before raising the cab. The area above and ahead of the cab must be clear from obstructions. Place front wheels in a straight ahead position.

Remove the pump handle from its storage on the inside of the cab near the driver or passenger seat.

Place the selector lever on the hydraulic pump in the RAISE position. Insert the pump handle into the pump and operate the handle in an up and down motion. The hydraulic cab latches will open, then the hydraulic cylinders will lift the cab until the midpoint (top) is reached.

Once the cab has reached its midpoint the cab will move forward to the fully open position. The safety pin in the cab tilt lock device must be installed when the holes line up in the sliding bar.

Remove the pump handle when not in use. It may stick out and could cause injury to passersby.

# SAFETY RECALL BULLETIN

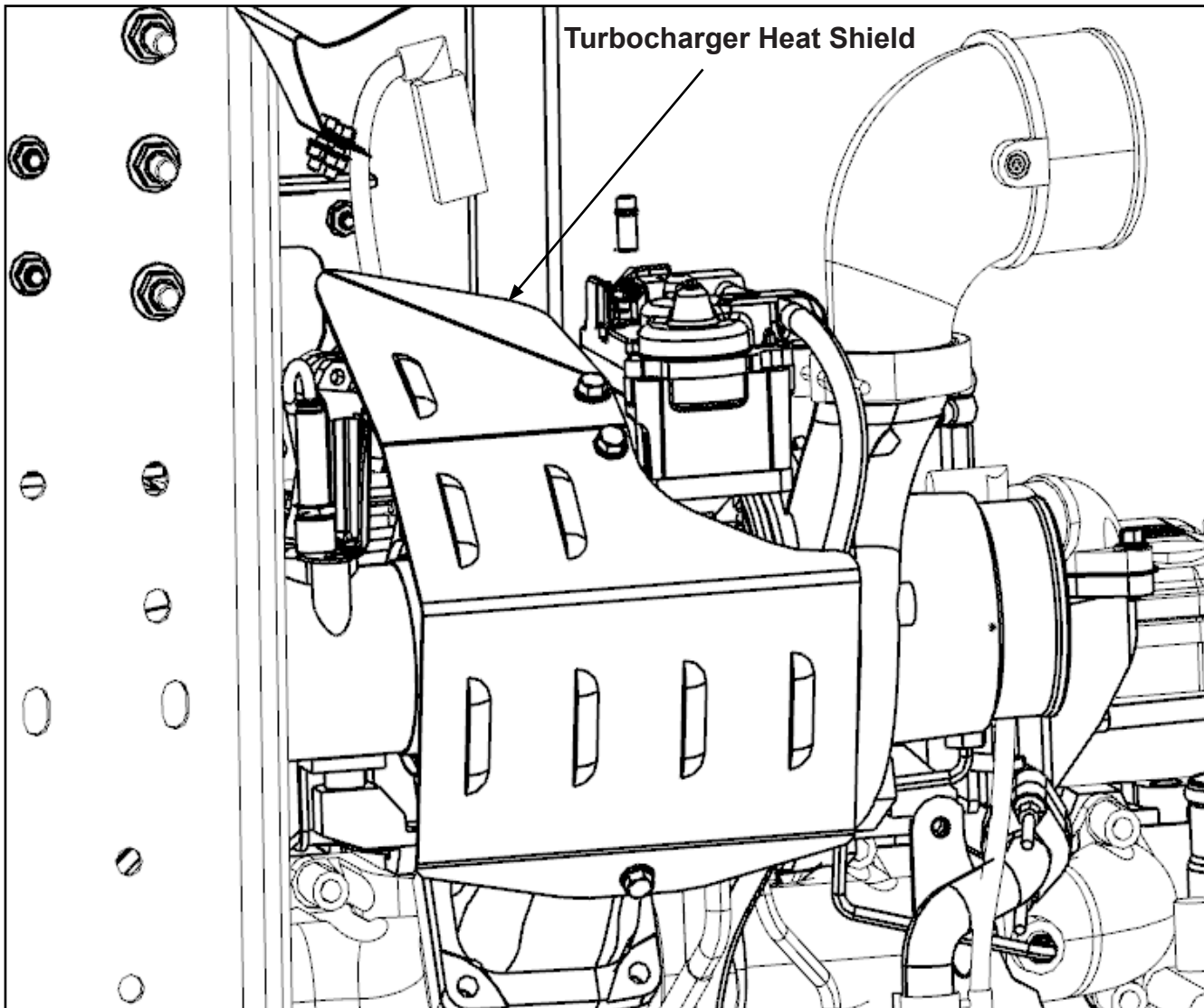
## NHTSA RECALL 21V095

AUTOCAR, LLC SAFETY RECALL ACX-2103



June, 2021

3. From the right side of the truck, locate the turbocharger heat shield (see *Figure 1*).



*Figure 1*

# SAFETY RECALL BULLETIN

## NHTSA RECALL 21V095

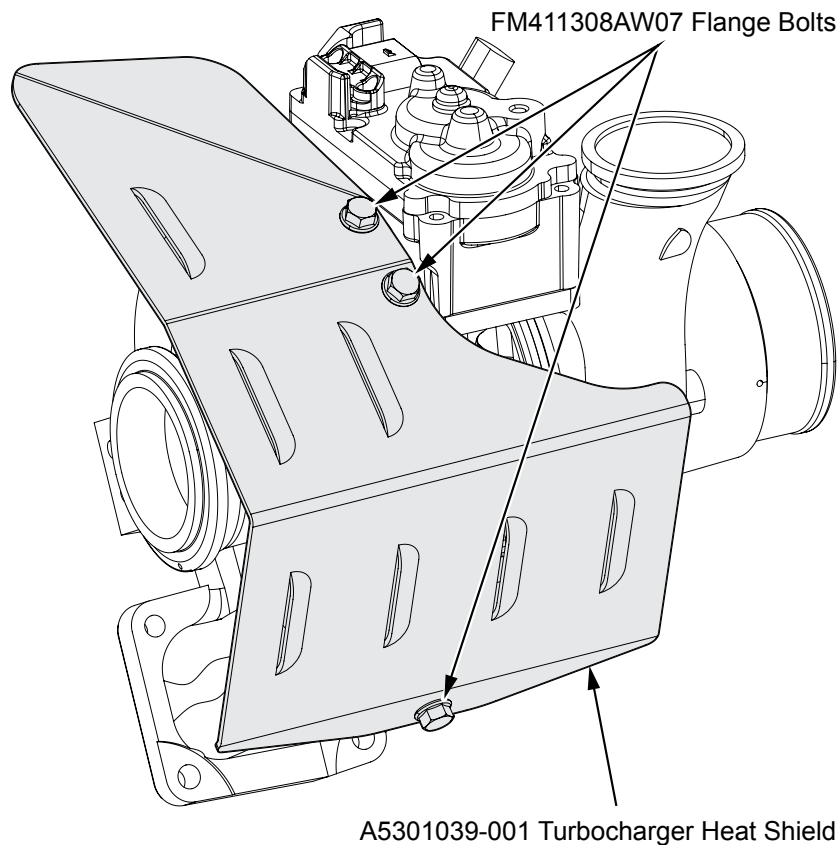


### AUTOCAR, LLC SAFETY RECALL ACX-2103

June, 2021

**Note:** The turbocharger heat shield may have experienced fatigue failure do to excessive vibration and may not be present.

4. Remove and discard the turbocharger heat shield and fasteners.
5. Apply medium strength thread lock (obtained locally) to (3) (FM411308AW07) flange bolts and install the (A5301039-001) turbocharger heat shield. Tighten the bolts to 25 +/-2.5 lbs.-ft. of torque (see Figure 2).



**Figure 2**

6. Reconnect the batteries and lower the cab.
7. Turbocharger heat shield installation is complete.

**Note:** If you have questions or concerns regarding this recall, please contact Autocar Technical Support at 888-218-3611.