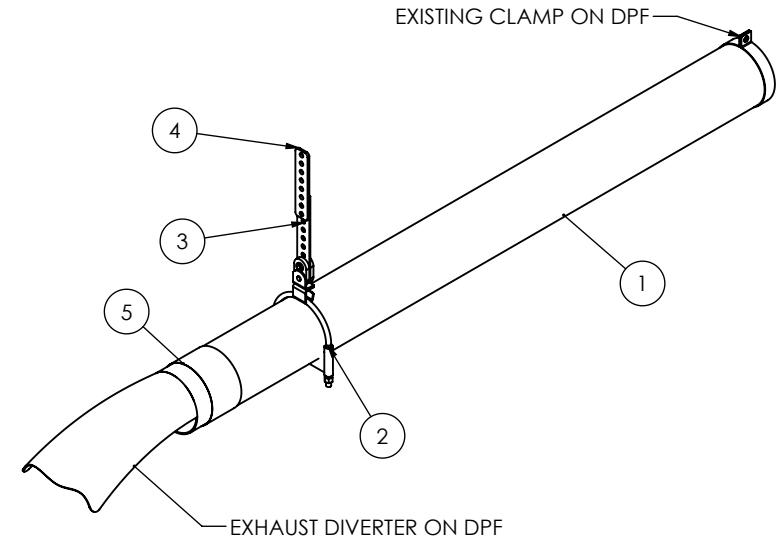


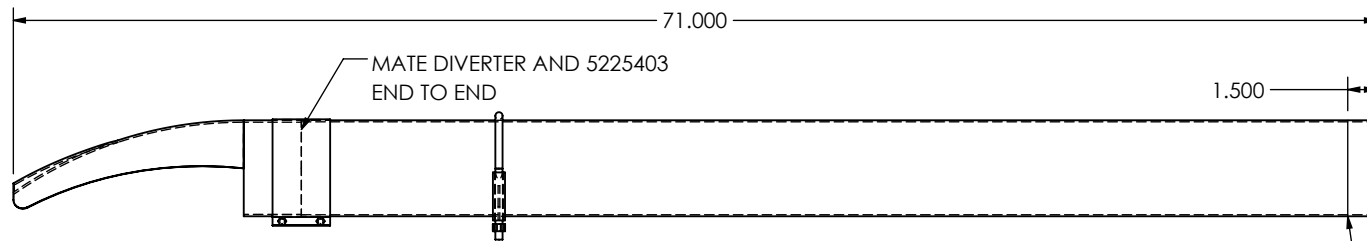
REV.	BY	ECN	DATE	NOTATION
A	WRH		12/14/2021	INITIAL RELEASE



REV	ITEM NO.	PART NUMBER	QTY.	DESCRIPTION
	1	5225403	1	PIPE, EXHAUST 5" OD X 42.000
	2	69477	1	CLAMP, 5" U-BOLT
	3	21025	1	TAILPIPE HANGER
	4	5225327	1	BRACKET, EXHAUST EXT A7SE A9SE
	5	69486	1	CLAMP, BAND EXHAUST 5"



SOME COMPONENTS NOT SHOWN FOR CLARITY




MEASURE 1.500" FROM END AND MARK. INSERT INTO DPF TO THIS DISTANCE

1. REMOVE EXISTING EXHAUST DIVERTER FROM DPF. SAVE CLAMP.
2. SLIDE EXHAUST EXTENSION (5225403) INTO DPF. ENSURE OUTLET OF EXTENSION IS PARALLEL TO GROUND.
3. USING CLAMP REMOVED IN STEP ONE, CLAMP EXTENSION TO DPF.
4. SLIDE 5" U-BOLT CLAMP ONTO EXHAUST EXTENSION. DO NOT TIGHTEN U-BOLTS AT THIS TIME.
5. INSTALL DIVERTER TO EXHAUST EXTENSION.
6. USE A WIRE BRUSH TO CLEAN PAINT OFF OF AIR TANK STRAP THREADS (SEE PHOTOS).
7. FORM (5225327) SO THAT IT CAN BE ATTACHED TO AIR TANK STRAP, USE SUPPLIED 3/8 WASHER AND 3/8-24 NYLON NUT TO ATTACH (5225327) TO THE AIR TANK STRAP.
8. TIGHTEN 5" U-BOLT.

PROPRIETARY AND CONFIDENTIAL

THE INFORMATION CONTAINED IN THIS DRAWING IS THE SOLE PROPERTY OF SCHWARZE INDUSTRIES INC. ANY REPRODUCTION IN PART OR AS A WHOLE WITHOUT THE WRITTEN PERMISSION OF SCHWARZE INDUSTRIES INC. IS PROHIBITED.

MATERIAL#: WEIGHT: 21.59 MIRROR: Y GRAIN: N		SI: 		SCHWARZE INDUSTRIES 1055 JORDAN ROAD HUNTSVILLE, AL 35811	
MATERIAL DESCRIPTION:		SI:		DESCRIPTION:	
REMARKS:		SI:		INSTL, EXHAUST EXT KIT 184 WB	
ROUTING OPERATIONS INSTALL 1 1.00 COMPLETE		TOLERANCES UNLESS OTHERWISE SPECIFIED DECIMAL .0 ±.1 ANGLE ± 1° .00 ±.03 FRACTION ± 1/32 STOCKING TYPE: M		DRAWN BY: WHATTON DATE: 12/09/2021 DRAWING NO: 206B93 REV: A	
		DO NOT SCALE DRAWING		SIZE: A Sheet 1 OF 1	