

# Technical BULLETIN

©2021 YAMAHA MOTOR CORPORATION, U.S.A.

## SAFETY RECALL

This modification has top priority. This bulletin must be performed immediately to ensure customer safety.

NOTE: Bulletins that announce a recall will have an "R" at the end of the bulletin number.

### CERTAIN 2019~2020 MTT9GT (TRACER GT), 2019 MXTGTKL (NIKEN GT), 2017~2020 MT10, 2014~2020 XTZ12 (SUPER TÉNÉRÉ), 2013~2020 FJR13, 2018 XV19B (STAR ELUDER) AND 2018~2021 XV19 (STAR VENTURE) MODEL MOTORCYCLES

#### FACTORY MODIFICATION CAMPAIGN – Brake Switch Malfunction

## i

### INTRODUCTION

Yamaha Motor Corporation, U.S.A. has decided that a defect that relates to motor vehicle safety exists in certain 2019~2020 MTT9GT (Tracer GT), 2019 MXTGTKL (NIKEN GT), 2017~2020 MT10, 2018~2020 XTZ12 (Super Ténéré), 2013~2020 FJR13, 2018 XV19B (Star Eluder), and 2018~2021 XV19 (Star Venture) model motorcycles.

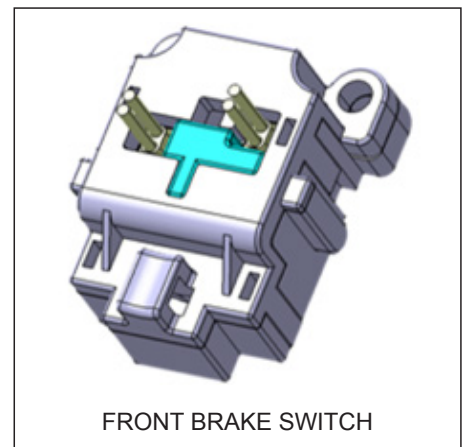
In affected motorcycles, the front brake switch may fail due to increased internal resistance caused by silicon oxide. If this happens, the brake light may stay on constantly and/or the cruise control system, if it can be activated at all, may cancel unexpectedly, either of which could increase the risk of a crash with injury or death.

To correct this defect, Yamaha is initiating a Factory Modification Campaign. Affected units must have the front brake switch replaced with new one that was manufactured properly.

Yamaha is notifying all registered owners of affected motorcycles by mail. A copy of this letter is included in this bulletin. The customer should take this letter along with the affected motorcycle to an authorized Yamaha dealer for modification.

If your dealership was invoiced for one or more affected units, a computer report listing all affected motorcycles invoiced to your dealership is included with a mailed copy of this bulletin. Use the list to help ensure all motorcycles are modified. All sold motorcycles that have been registered with Yamaha will show the customer's name and address.

Your dealership must notify the owner of any affected motorcycle that was actually sold but listed as "unsold" in the report. You must modify all affected motorcycles in your inventory as well as all customer-owned motorcycles brought to you for this service. Any affected motorcycle that you purchase from Yamaha in the future may also require modification. If you purchase a motorcycle from another dealer or Yamaha, check to see if the procedures in this bulletin have already been performed before you sell the motorcycle.



FRONT BRAKE SWITCH

**Motorcycles that are affected should not be operated until they are modified. It is a violation of Yamaha policy for your dealership to deliver any affected motorcycle to customers until the procedures in this bulletin are performed.**

**NOTE:** If you are modifying a 2016~2020 model FJR13, check to see if the unit is also affected by the Second Gear Failure Factory Modification Campaign announced in Technical Bulletin M2021-002R. Perform both procedures at the same time for customer convenience and shop efficiency.

When the modification on each motorcycle is performed, follow the *Warranty Information* section of this bulletin to receive reimbursement. Be sure to use the Factory Modification Campaign procedures in Chapter 7 of the Warranty and Y.E.S. Handbook (LIT-11760-00-16).



## DEALER ACTION SUMMARY

### **Unsold &**

**Sold Units:** Use YDS Unit Status to check to be sure the unit is affected and that it is not already modified. Also, there is a new part identification mark on the back side of switch that can be used to confirm the correct switch; see *Identification Procedure* in this bulletin for more information.

**Parts:** Yes. Order a new stop switch kit for the model you are modifying. There are different kits for different models. See the *Parts Information* section of this bulletin for more information.

**Warranty:** Factory Modification Campaign. See the *Warranty Information* section of this bulletin. This modification applies to all affected units regardless of ownership or warranty status.

### **Notify**

**Customers:** Yes, you must immediately contact any customer whose motorcycle shows as unregistered on the enclosed report. Yamaha has sent letters to customers whose motorcycles were registered with Yamaha as of 1/19/2021.

**AFFECTED RANGE**

Check Unit Status on YDS to make sure the Primary ID (PID) is in the Affected Range and is eligible for this repair  
The affected unit ranges for this issue are:

Year	Model	Prefix	Primary ID	
			From	To
2014~2020	XTZ1200	DP05E	0000001	0001444
2014~2020	XTZ1200E	DP05Y	0000005	0000319
2014~2018	XTZ1200	DP06E	0000001	0001692
2014~2018	XTZ1200	DP06Y	0000003	0000404
2017~2020	MTN1000	RN48E	0000001	0003444
2017~2020	MTN1000	RN48Y	0000009	0000854
2019	MXT850D	RN59Y	0000005	0000174
2019~2020	MTT850D	RN62E	0000301	0001401
2019~2020	MTT850D	RN62Y	0000301	0000581
2019	MXT850	RN63Y	0000301	0000410
2013~2015	FJR1300A	RP24E	0000001	0002928
2013~2015	FJR1300A	RP24Y	0000006	0000444
2014~2015	FJR1300AE	RP26E	0000001	0000884
2014~2015	FJR1300AE	RP26Y	0000002	0000213
2016~2019	FJR1300-A	RP29E	0000002	0000822
2016~2019	FJR1300-A	RP29Y	0000002	0000151
2016~2020	FJR1300-AE	RP30E	0000001	0001009
2016~2020	FJR1300-AE	RP30Y	0000006	0000221
2018~2020	FJR1300P-A	RP31Y	0000003	0000092
2018~2021	XV1900FD	VP38Y	0000017	0001518
2018	XV1900CFD	VP39Y	0000007	0000911



## SERVICE PROCEDURES

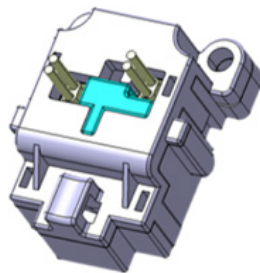
Refer to the service manual for the model you are modifying for brake switch replacement steps.



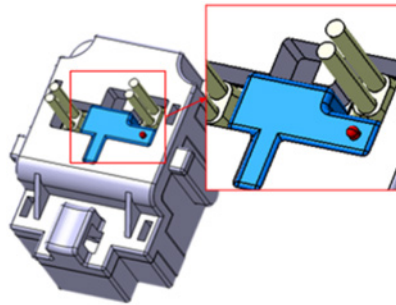
## IDENTIFICATION PROCEDURE

After completing the procedure, make sure to properly record and submit the warranty claim for this campaign to ensure correct reimbursement and to update the unit's repair history in Yamaha's database.

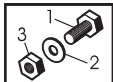
A new part identification mark is added on the back side of the switch:



PREVIOUS  
(REPLACE)



NEW  
(COUNTERMEASURE)



## PARTS INFORMATION

The countermeasure parts for this factory modification campaign are provided as a kit:

KIT PART NAME	PART NUMBER	APPLICABLE MODELS	DLR COST
FR. STOP SWITCH KIT, FJR1300 (2013~2018)	90891-30142-00	FJR13A/AE/-A/-AE/P	\$18.22
KIT PART CONTENTS			
No.	PART NAME	PART NUMBER	QTY
1	FRONT STOP SWITCH ASSY	1MC-83980-01-00	1
2	CLAMP	90464-16061-00	2
3	CLAMP	90465-10098-00	1
4	CLAMP	90464-32060-00	2

KIT PART NAME	PART NUMBER	APPLICABLE MODELS	DLR COST
FR. STOP SWITCH KIT, FJR1300 (2019~2020)	90891-30143-00	FJR13A/-AE/P-A	\$13.44
KIT PART CONTENTS			
No.	PART NAME	PART NUMBER	QTY
1	FRONT STOP SWITCH ASSY	1MC-83980-11-00	1
2	CLAMP	90464-16061-00	2
3	CLAMP	90465-10098-00	1

KIT PART NAME	PART NUMBER	APPLICABLE MODELS	DLR COST
FR. STOP SWITCH KIT, MTN1000	90891-30146-00	MT-10	\$13.48
KIT PART CONTENTS			
No.	PART NAME	PART NUMBER	QTY
1	FRONT STOP SWITCH ASSY	B67-83980-02-00	1
2	CLAMP	90464-30010-00	2

KIT PART NAME	PART NUMBER	APPLICABLE MODELS	DLR COST
FR. STOP SWITCH KIT, MTT850D	90891-30145-00	MTT9GT (Tracer GT)	\$20.45
KIT PART CONTENTS			
No.	PART NAME	PART NUMBER	QTY
1	FRONT STOP SWITCH ASSY	B1J-83980-01-00	1
2	CLAMP	90464-30010-00	1

KIT PART NAME	PART NUMBER	APPLICABLE MODELS	DLR COST
FR. STOP SWITCH KIT, MXT850	90891-30149-00	MTT9GT (NIKEN GT)	\$21.18
KIT PART CONTENTS			
No.	PART NAME	PART NUMBER	QTY
1	FRONT STOP SWITCH ASSY	BD5-83980-02-00	1

KIT PART NAME	PART NUMBER	APPLICABLE MODELS	DLR COST
FR. STOP SWITCH KIT, XT1200Z	90891-30148-00	XTZ12 (Super Ténére)	\$13.19
KIT PART CONTENTS			
No.	PART NAME	PART NUMBER	QTY
1	STOP SWITCH ASSY	2BS-83980-01-00	1

KIT PART NAME	PART NUMBER	APPLICABLE MODELS	DLR COST
FR. STOP SWITCH KIT, XV1900	90891-30144-00	XV19 (Star Venture and Star Eluder)	\$13.54
KIT PART CONTENTS			
No.	PART NAME	PART NUMBER	QTY
1	STOP SWITCH ASSY	2DF-83980-01-00	1
2	CLAMP	90464-30010-00	2



## WARRANTY INFORMATION

The owner of each registered motorcycle will receive a letter announcing this campaign. The customer's letter includes the Vehicle Identification Number and Recall Number.

The modification is authorized for all affected motorcycles, both sold and unsold, regardless of ownership or warranty status. You do not need the customer's letter to perform the modification or to file for reimbursement.

Submit a Recall Claim as described below using Campaign Number **990140**. The labor allowance is as follows:

MODEL	LABOR ALLOWANCE
FJR1300	0.9 Hrs.
MT-10	0.3 Hrs.
MTT9GT (Tracer GT)	0.6 Hrs.
MXTGT (NIKEN GT)	0.3 Hrs.
XTZ12 (Super Ténéré)	0.3 Hrs.
XV19 (Star Venture and Star Eluder)	0.5 Hrs.

To submit your Recall Claim on YDS, go to *Service > Warranty Claims/Authorization > Claims/Authorization > New*. Then, from the menu, select *Recall / Service per Bulletin Claim*.

Warranty Claim

- Warranty / Y.E.S. Claim - If request is under \$1500
- Recall / Service per Bulletin
- Parts and ACC Quality Assurance Claim

Warranty Authorization

- Warranty / Y.E.S. Authorization - If request is \$1500 or over
- Out of Warranty Authorization
- Un-Registered / Un-Sold Unit Authorization

Shipping Damage

- Visible Damage Authorization - Pictures Required
- Concealed Damage Claim \$349 and under
- Concealed Damage Authorization \$350 and over - Pictures Required
- Missing Parts Claim \$349 and under
- Missing Parts Authorization \$350 and over

Continue

Unit Recall/Service Campaign

This screen allows you to enter Recall Request information for single or multiple Primary IDs.  
NOTE: The same recall information will be used for all of the primary IDs provided.

\* Campaign Nbr:

Primary ID    Finish Date    Miles Or Hrs

\* Primary ID:

\* Finish Date:

\* Miles or Hours:

STEP 1 : Get Repair Options >>

Enter Campaign Code 990140 Here

If you have any questions about proper procedures for Factory Modification Campaigns, see Chapter 7 in your Warranty and Y.E.S. Handbook (LIT-11760-00-16).



YAMAHA MOTOR CORPORATION, U.S.A. 6555 Katella Avenue, Cypress, CA 90630-5101 800-962-7926

### IMPORTANT SAFETY RECALL NOTICE

This notice applies to your motorcycle, VIN xxxxxxxxxxxxxxxxx

Model:

January 20, 2021  
990140

Dear Yamaha Owner:

Yamaha Motor Corporation, U.S.A. has decided that a defect that relates to motor vehicle safety exists in certain 2019~2020 MTT9GT (Tracer GT), 2019 MXTGTKL (NIKEN GT), 2017~2020 MT10, 2014~2020 XTZ12 (Super Ténéré), 2013~2020 FJR13, 2018 XV19B (Star Eluder) and 2018~2021 XV19 (Star Venture) model motorcycles. Our records show that you own the affected motorcycle shown above.

**The reason for this recall:** In affected motorcycles, the front brake switch may fail due to increased internal resistance caused by silicon oxide. If this happens, the brake light may stay on constantly and/or the cruise control system, if it can be activated at all, may cancel unexpectedly, either of which could increase the risk of a crash with injury or death.

**What Yamaha and your dealer will do:** Your authorized Yamaha dealer will replace your motorcycle's front brake switch with new one that was manufactured properly. The procedure takes under an hour to perform, depending on the model, but your dealer may need to keep your motorcycle longer. **There will be no charge to you for this procedure.**

**What you should do now:** Please call your Yamaha dealer to make a service appointment to have this procedure performed. At that same time, you can find out how long they expect to keep your motorcycle for this service. Remember to take this letter with you when you take in your motorcycle.

If the motorcycle shown above is a 2016~2020 FJR13, you may also get a notice regarding a Safety Recall for the transmission's second gear. When you take in your motorcycle for this brake switch procedure, also ask your dealer to confirm if the modification of the transmission needs to be performed as well.

**You should not operate your affected motorcycle shown above until modification is performed.**

If you are unable to return to the Yamaha dealer who sold you the motorcycle, this service will be performed by any authorized Yamaha Motorcycle dealer. For the name of a dealer near you, call 1-800-88-YAMAHA or visit the Yamaha web site at [www.yamaha-motor.com](http://www.yamaha-motor.com).

If you have had this repair performed before you received this letter, you may be entitled to receive reimbursement for the cost of obtaining a pre-notification remedy of the problem associated with this repair. For more information, contact Yamaha Customer Relations at 1-800-962-7926.

Federal regulations require that any vehicle lessor receiving this recall notice must forward a copy of this notice to the lessee within 10 days.

**If you need help:** If, after contacting your dealership, you have questions or concerns which the dealership is unable to answer, please write to:

Yamaha Motor Corporation, U.S.A.  
Customer Relations Department  
P.O. Box 6555 Cypress, CA 90630

Or call: 1-800-962-7926

If, after contacting Yamaha Customer Relations, you are still not satisfied that we have done our best to remedy the situation without charge and within a reasonable time, you may submit a written complaint to the Administrator, National Highway Traffic Safety Administration, 1200 New Jersey Avenue, SE., Washington, DC 20590; or call the Auto Safety Hotline at 1-888-327-4236 (TTY: 1-800-424-9153); or go to <http://www.safercar.gov>. Refer to NHTSA recall number 20V814.

**If you no longer own this Yamaha:** If you have sold your motorcycle to another party, please call us toll-free at 1-800-962-7926 with the name and address of the new owner, along with the Vehicle Identification Number shown above your name on this letter.

We're sorry to cause you any inconvenience, but we are sincerely concerned about your safety and continued satisfaction with our products. Thank you for giving your attention to this important matter.

Sincerely,  
Motorsports Service Support  
Yamaha Motor Corporation, U.S.A.